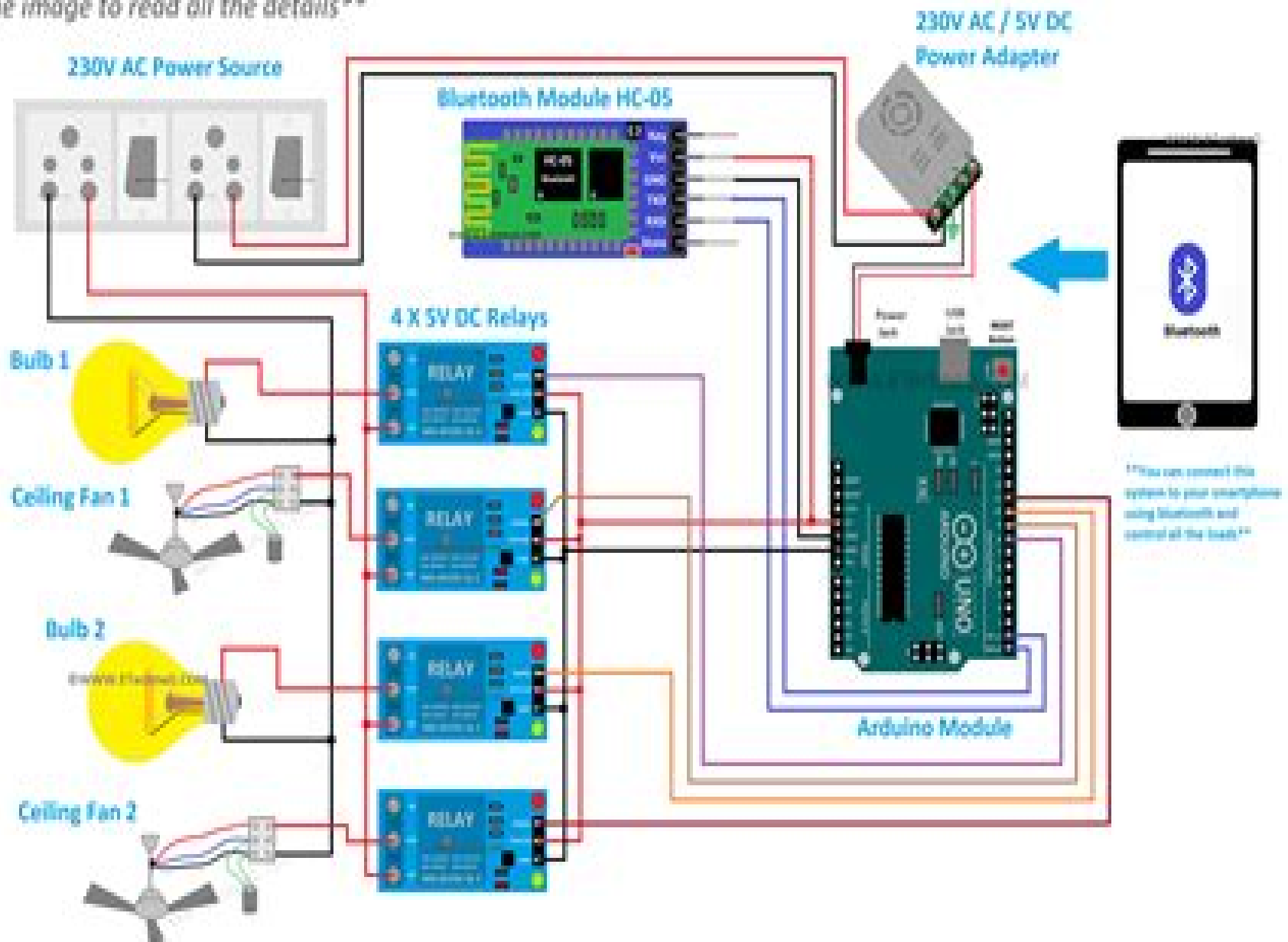


Figure.01:

Smart Home Automation System using Arduino

Zoom in the image to read all the details



Bluetooth Based Home Automation And Security System Using Arm9

K Payea



Bluetooth Based Home Automation And Security System Using Arm9:

Handbook of Research on the IoT, Cloud Computing, and Wireless Network Optimization Singh, Surjit, Mohan Sharma, Rajeev, 2019-03-29 ICT technologies have contributed to the advances in wireless systems which provide seamless connectivity for worldwide communication The growth of interconnected devices and the need to store manage and process the data from them has led to increased research on the intersection of the internet of things and cloud computing The Handbook of Research on the IoT Cloud Computing and Wireless Network Optimization is a pivotal reference source that provides the latest research findings and solutions for the design and augmentation of wireless systems and cloud computing The content within this publication examines data mining machine learning and software engineering and is designed for IT specialists software engineers researchers academicians industry professionals and students **Intelligent**

Communication, Control and Devices Rajesh Singh, Sushabhan Choudhury, Anita Gehlot, 2018-04-10 The book focuses on the integration of intelligent communication systems control systems and devices related to all aspects of engineering and sciences It contains high quality research papers presented at the 2nd international conference ICICCD 2017 organized by the Department of Electronics Instrumentation and Control Engineering of University of Petroleum and Energy Studies Dehradun on 15 and 16 April 2017 The volume broadly covers recent advances of intelligent communication intelligent control and intelligent devices The work presented in this book is original research work findings and practical development experiences of researchers academicians scientists and industrial practitioners **Wearable/Personal Monitoring**

Devices Present to Future Gaetano D. Gargiulo, Ganesh R. Naik, 2021-10-26 This book discusses recent advances in wearable technologies and personal monitoring devices covering topics such as skin contact based wearables electrodes non contact wearables the Internet of things IoT and signal processing for wearable devices Although it chiefly focuses on wearable devices and provides comprehensive descriptions of all the core principles of personal monitoring devices the book also features a section on devices that are embedded in smart appliances furniture e g chairs which despite their limitations have taken the concept of unobtrusiveness to the next level Wearable and personal devices are the key to precision medicine and the medical community is finally exploring the opportunities offered by long term monitoring of physiological parameters that are collected during day to day life without the bias imposed by the clinical environment Such data offers a prime view of individuals physical condition as well as the efficacy of therapy and occurrence of events Offering an in depth analysis of the latest advances in smart and pervasive wearable devices particularly those that are unobtrusive and invisible and addressing topics not covered elsewhere the book will appeal to medical practitioners and engineers alike

Metaheuristic and Machine Learning Optimization Strategies for Complex Systems R., Thanigaivelan, M., Suchithra, S., Kaliappan, Mothilal, T., 2024-07-17 In contemporary engineering domains optimization and decision making issues are crucial Given the vast amounts of available data processing times and memory usage can be substantial

Developing and implementing novel heuristic algorithms is time consuming yet even minor improvements in solutions can significantly reduce computational costs. In such scenarios, the creation of heuristics and metaheuristic algorithms has proven advantageous. The convergence of machine learning and metaheuristic algorithms offers a promising approach to address these challenges. *Metaheuristic and Machine Learning Optimization Strategies for Complex Systems* covers all areas of comprehensive information about hyper heuristic models, hybrid meta heuristic models, nature inspired computing models, and meta heuristic models. The key contribution of this book is the construction of a hyper heuristic approach for any general problem domain from a meta heuristic algorithm. Covering topics such as cloud computing, internet of things, and performance evaluation, this book is an essential resource for researchers, postgraduate students, educators, data scientists, machine learning engineers, software developers, and engineers, policy makers, and more. *Emerging Trends in Electrical, Communications, and Information Technologies* T. Hitendra Sarma, V. Sankar, Rafi Ahamed Shaik, 2019-09-24. This book includes original peer reviewed research from the 3rd International Conference on Emerging Trends in Electrical Communication and Information Technologies ICECIT 2018 held at Srinivasa Ramanujan Institute of Technology Ananthapuramu Andhra Pradesh India in December 2018. It covers the latest research trends and developments in the areas of Electrical Engineering, Electronic and Communication Engineering, and Computer Science and Information **Research Anthology on Cross-Disciplinary Designs and Applications of Automation** Management Association, Information Resources, 2021-10-29. Throughout human history, technological advancements have been made for the ease of human labor. With our most recent advancements, it has been the work of scholars to discover ways for machines to take over a large part of this labor and reduce human intervention. These advancements may become essential processes to nearly every industry. It is essential to be knowledgeable about automation so that it may be applied. *Research Anthology on Cross Disciplinary Designs and Applications of Automation* is a comprehensive resource on the emerging designs and application of automation. This collection features a number of authors spanning multiple disciplines such as home automation, healthcare automation, government automation, and more. Covering topics such as human machine interaction, trust, calibration, and sensors, this research anthology is an excellent resource for technologists, IT specialists, computer engineers, systems and software engineers, manufacturers, engineers, government officials, professors, students, healthcare administration managers, CEOs, researchers, and academicians. *Integrated Green Energy Solutions, Volume 1* Milind Shrinivas Dangate, W. S. Sampath, O. V. Gnana Swathika, Sanjeevikumar Padmanaban, 2023-05-12. INTEGRATED GREEN ENERGY SOLUTIONS. This first volume in a two volume set presents the state of the art for the concepts, practical applications, and future of renewable energy and how to move closer to true sustainability. Renewable energy supplies are of ever increasing environmental and economic importance in every country worldwide. A wide range of renewable energy technologies has been established commercially and recognized as an important set of growth industries for most governments. World agencies including the United Nations

have extensive programs to encourage these emerging technologies This book will bridge the gap between descriptive reviews and specialized engineering technologies It centers on demonstrating how fundamental physical processes govern renewable energy resources and their applications Although the applications are updated continually the fundamental principles remain the same and this book will provide a useful platform for those advancing the subject and its industries Integrated Resilient Energy Solutions is a two volume set covering subjects of proven technical and economic importance worldwide Energy supply from renewables is an essential component of every nation s strategy especially when there is responsibility for the environment and sustainability These two volumes will consider the timeless renewable energy technologies principles yet demonstrate modern applications and case studies Whether for the veteran engineer student or other professional these two volumes are a must have for any library

Information and Communication Technology
Durgesh Kumar Mishra,Ahmad Taher Azar,Amit Joshi,2017-10-12 This book volume contains 31 papers presented at ICICT 2016 Second International Congress on Information and Communication Technology The conference was held during 12 13 December 2016 Bangkok Thailand and organized communally by G R Foundation and Computer Society of India Division IV Communication and Division V Education and Research This volume contains papers mainly focused on ICT for computation algorithms and data analytics and IT security

Home Automation Via Bluetooth Using the Arduino Uno Microcontroller
Ayush Kumar,2016 Abstract Home automation systems have gained popularity in recent years paralleling the advances in the concept of the Internet of Things The current project presents the implementation of an inexpensive home automation system within the framework of assistive technology The system implementation is based on the Arduino microcontroller with Bluetooth communications capability and it is designed for use by the elderly and people with disabilities The system is user friendly with an intuitive interface implemented on an Android based smart phone Demonstrations show that the system facilitates control of home appliances lights heating cooling systems and security devices by the intended users i e the elderly and the disabled

BLUETOOTH BASED HOME AUTOMATION SYSTEM OMER FAROOQ (TP016040),2012

Building Smart Home Automation Solutions with Home Assistant Marco Carvalho,2023-09-15 A step by step guide to building cost effective and complete home automation DIY projects using tools such as Home Assistant Raspberry Pi IoT devices the Tasmota sensor ESP32 and Grafana Key Features Learn by doing using real life practical examples to build your own home automation system Create hack and configure IoT devices through hands on projects to be used with or without Home Assistant Customize your home automation system using Home Assistant Node RED InfluxDB and Grafana Purchase of the print or Kindle book includes a free PDF eBook Book DescriptionPicture a home where you can adjust the lighting based on the time of day or when movement is detected In this same home you can also detect when a door is unexpectedly opened or an alarm is triggered in response to any suspicious activity Such automated devices form part of a smart home and the exciting part is that this book teaches you how to create and manage these devices all by yourself This book helps you create

your own ecosystem to automate your home using Home Assistant software You'll begin by understanding the components of a home automation system and learn how to create and configure them to operate seamlessly Then you'll set up Home Assistant on a Raspberry Pi to work as a home automation server build your own IoT sensors based on ESP32 ESP8266 and set up real life automation use cases using hands on examples and projects The chapters will also guide you in using software tools such as Node RED InfluxDB and Grafana to manage present and use data collected from your Home Automation devices Finally you'll gain insights into new technologies and trends in the home automation space to help you continue with your learning journey By the end of this book you'll be able to build your own creative IoT based home automation system using different hardware and software technologies What you will learn Understand the fundamental concepts of home automation systems Set up a home automation system using Home Assistant and Raspberry Pi Create and configure ESP8266 based sensors to work with Home Assistant Hack a commercial actuator to work with Home Assistant using Tasmota Create automations customize and use applications with Home Assistant Leverage IoT software tools to take your home automation to the next level Work on hands on projects including LED strip lights and an ESP32 five zone temperature logger Explore home automation FAQs emerging technologies and trends Who this book is for The book is for engineers developers students makers and enthusiasts who are working on or interested in working with electronics and IoT devices embedded systems systems integration computer software and coding to develop their own smart home automation systems Technicians teachers and other professionals who want to learn home automation related technologies will also find this book useful Prior experience of working with Raspberry Pi creating hardware prototypes and software programming will be beneficial

Home Automation Lisa Montgomery, Editor, Electronic House Magazine, 2014-09-12 Smart home automated home connected home or intelligent home Whatever you call it a home that's able to take the drudgery out of common everyday tasks is something that every family can appreciate In this inaugural book about home automation you'll learn how to incorporate the right types of products and systems into your house to achieve a new level of comfort convenience safety and efficiency The book walks you step by step through the process of automating your home and because automation systems are able to control just about anything electronic you can imagine we've provided plenty of practical ideas In 10 Key Features of a Home Automation System and Automation Ideas for Every System of Your House you'll gather more than enough recommendations to get started in your automation endeavor No matter how many great ideas you gather from our Home Automation book though it's important that the system you buy today incorporates the most recent iterations of control technologies We've followed the automation trends put them into perspective and offer advice on the critical new updates upgrades and upstarts you'll want to look into when selecting a system In addition to deciding what you want your automation system to do you'll want to determine whether you'd like to install the system yourself or hire a professional to handle the task Both methods offer their own unique set of advantages and disadvantages so be sure to read DIY or

Professionally Installed before making your decision You'll also want to check out our comprehensive directory of home automation manufacturers before taking the plunge Finally we finish the book with a series of finished automation installations which range from a basic starter package in a condo to a full blown bells and whistles system for a bigger house You'll see what types of features that owners of these homes chose to incorporate and hear how automation is truly making a difference in their lives The technology has been so carefully designed and meticulously installed that you may not even notice it in the full color photography of many of the rooms where lights motorized window shades and A V equipment have been automated to dim brighten turn on and off open and close and adjust and reset based on the time of day occupancy or the single touch of a button

Arduino Bluetooth Based Home Automation Mehmet AVCU,2021-01-05 [Arduino Bluetooth Based Home Automation](#)

[Arduino Home Automation Projects](#) Marco Schwartz,2014-07-23 This book is divided into projects that are explained in a step by step format with practical instructions that are easy to follow If you want to build your own home automation systems wirelessly using the Arduino platform this is the book for you You will need to have some basic experience in Arduino and general programming languages such as C and C++ to understand the projects in this book

[Building a Home Security System with BeagleBone](#) Bill Pretty,2013-12-17 Building a Home Security System with BeagleBone is a practical hands on guide for practical hands on people The book includes step by step instructions for assembling your own hardware on professionally manufactured PCB s and setting up the software on your system This book is for anyone who is interested in alarm systems and how they work for hobbyists and basement tinkerers who love to build things If you want to build the hardware described in this book you will need some basic soldering skills but all the parts are of the thru hole variety and are very easy to put together When it comes to software you can just run it as is but if you want to modify the code you will need knowledge of Java and IDEs

[Essential Guide to Smart Home Automation Safety and Security](#) Gerard O'Driscoll,2015-03-02 This book addresses readers who wish to gain an in depth understanding of Smart Home alarm and safety systems Detail is provided on six key smart systems that you can use to enhance your family's home security levels namely smart alarm systems Smart IP cameras Smart combo alarm devices smart access control smart locks and smart doorbells In addition to covering the integration of alarm and fire detection systems with your smartphone App this chapter also deals with adding smart air quality control water and freeze alert capabilities to your home This mini ebook includes technical illustrations examples of how smart homes are helping people insights from Gerard and details of an awesome monthly giveaway

Home Security System DIY Wireless IoT Using ESP32 CAM and Android Robert Chin,2022-08-07 This book shows you how you can save tons of money by building your own low cost maximum privacy and maximum security professional quality wireless home security system from common off the shelf parts You can monitor the home security system using your existing Android cell phone and existing home internet connection You will save lots of money on the home security system hardware itself as well as enjoy free email alert notifications and or low cost cell phone

text message alert notifications depending on the monitoring options you choose Easy to understand step by step instructions will be given so that the average non technical person will be able to assemble and operate this home security system The main components of the security system are the ESP32 CAM a motion sensor an Android cell phone and a home internet connection In addition custom software created by the author will be provided for the ESP32 and Android devices Security System Main Features Live Real Time Local Video Monitoring using multiple ESP32 CAM units Free Email Notifications With Images Using Your Existing Home Internet Connection Low Cost Text Message Notifications Using Your Android Cell Phone Easy Hardware Assembly and Simple Software Setup Procedure Use your existing Android cell phone to control and monitor your alarm system Modular sensor system allows you to add up to 11 ESP32 CAM units with motion sensors to the security system Maximum Security and Privacy Security System Basic Operation 1 Set up your security system for operation using your Controller cell phone 2 Activate the security system using your Controller cell phone 3 Receive emergency text alerts on your personal cell phone if the alarm has been tripped 4 Receive emergency emails with images of people that have tripped the sensors in or outside of your home to an email address you designate 5 If an intruder or other emergency is confirmed then call the police as needed

Wireless Based Home Security with Automation System Wan Norziela Wan Rosli,2010 The aim of the project is to design a wireless based home security with automation system The system uses wireless technology to revolutionize the standards of living which could give assurance for user to protect their homes from burglars thieves and criminals This project is so versatile and is equipped with various sensors such as passive infrared sensor magnetic switch sensor and vibration sensor to detect different forms of intrusion A microcontroller is used to control the system operation while a remote gadget is used to arm and disarm the system To ensure only the authorized user can operate the system the gadget is equipped with a password Various indication outputs such as BUZZER LED and LCD are used to display the alarm status In addition the sound indicators like siren are also included in the design to inform intrusion Due to the consideration of user friendliness portability as well as wider area coverage all the sensors and remote gadget are implemented using zigbee transceiver A backup battery module is also introduced in the design to ensure the system keep functioning even during power failure

Home Automation System Using Arduino System Via IR Sensor Akashdeep Singh,Varinder Singh,Gagandeep Singh,2018-10-07 This work presents the design and model implementation of a novel home automation system applying the Internet of Things IoT technology It seeks simplified design protocols for developing a robust home automation system to deal with the problems of complexity multiple incompatible standards and the resulting expenses in the existing systems The embedded system features the ubiquitous low cost 32 bit ESP8266 System on chip SoC module interfaced to some sensors and actuators for interaction in the home Flexibility in the remote access operation and management is achieved through HTML5 based intuitive mobile and web GUI applications Web Application Messaging Protocol WAMP is deployed to ensure that individual applications and systems seamlessly communicate with a relatively high

level of security using robust web service security protocol This system offers a cost effective and efficient solution excluded which are present mostly in other solutions because the costs of a dedicated public IP address and a high end computer are excluded which are present mostly in other solutions Advanced Home Security System Ali Abbas,2017

Recognizing the way ways to acquire this book **Bluetooth Based Home Automation And Security System Using Arm9** is additionally useful. You have remained in right site to begin getting this info. acquire the Bluetooth Based Home Automation And Security System Using Arm9 belong to that we find the money for here and check out the link.

You could purchase lead Bluetooth Based Home Automation And Security System Using Arm9 or get it as soon as feasible. You could speedily download this Bluetooth Based Home Automation And Security System Using Arm9 after getting deal. So, once you require the books swiftly, you can straight get it. Its fittingly totally easy and hence fats, isnt it? You have to favor to in this look

<https://py.bijouxmedusa.com/About/Resources/Documents/passive%20income%20ideas%20tutorial%20for%20creators%2022%201144%20personal%20finance%20apps.pdf>

Table of Contents Bluetooth Based Home Automation And Security System Using Arm9

1. Understanding the eBook Bluetooth Based Home Automation And Security System Using Arm9
 - The Rise of Digital Reading Bluetooth Based Home Automation And Security System Using Arm9
 - Advantages of eBooks Over Traditional Books
2. Identifying Bluetooth Based Home Automation And Security System Using Arm9
 - Exploring Different Genres
 - Considering Fiction vs. Non-Fiction
 - Determining Your Reading Goals
3. Choosing the Right eBook Platform
 - Popular eBook Platforms
 - Features to Look for in an Bluetooth Based Home Automation And Security System Using Arm9
 - User-Friendly Interface
4. Exploring eBook Recommendations from Bluetooth Based Home Automation And Security System Using Arm9
 - Personalized Recommendations
 - Bluetooth Based Home Automation And Security System Using Arm9 User Reviews and Ratings

- Bluetooth Based Home Automation And Security System Using Arm9 and Bestseller Lists
- 5. Accessing Bluetooth Based Home Automation And Security System Using Arm9 Free and Paid eBooks
 - Bluetooth Based Home Automation And Security System Using Arm9 Public Domain eBooks
 - Bluetooth Based Home Automation And Security System Using Arm9 eBook Subscription Services
 - Bluetooth Based Home Automation And Security System Using Arm9 Budget-Friendly Options
- 6. Navigating Bluetooth Based Home Automation And Security System Using Arm9 eBook Formats
 - ePub, PDF, MOBI, and More
 - Bluetooth Based Home Automation And Security System Using Arm9 Compatibility with Devices
 - Bluetooth Based Home Automation And Security System Using Arm9 Enhanced eBook Features
- 7. Enhancing Your Reading Experience
 - Adjustable Fonts and Text Sizes of Bluetooth Based Home Automation And Security System Using Arm9
 - Highlighting and Note-Taking Bluetooth Based Home Automation And Security System Using Arm9
 - Interactive Elements Bluetooth Based Home Automation And Security System Using Arm9
- 8. Staying Engaged with Bluetooth Based Home Automation And Security System Using Arm9
 - Joining Online Reading Communities
 - Participating in Virtual Book Clubs
 - Following Authors and Publishers Bluetooth Based Home Automation And Security System Using Arm9
- 9. Balancing eBooks and Physical Books Bluetooth Based Home Automation And Security System Using Arm9
 - Benefits of a Digital Library
 - Creating a Diverse Reading Collection Bluetooth Based Home Automation And Security System Using Arm9
- 10. Overcoming Reading Challenges
 - Dealing with Digital Eye Strain
 - Minimizing Distractions
 - Managing Screen Time
- 11. Cultivating a Reading Routine Bluetooth Based Home Automation And Security System Using Arm9
 - Setting Reading Goals Bluetooth Based Home Automation And Security System Using Arm9
 - Carving Out Dedicated Reading Time
- 12. Sourcing Reliable Information of Bluetooth Based Home Automation And Security System Using Arm9
 - Fact-Checking eBook Content of Bluetooth Based Home Automation And Security System Using Arm9
 - Distinguishing Credible Sources

13. Promoting Lifelong Learning
 - Utilizing eBooks for Skill Development
 - Exploring Educational eBooks
14. Embracing eBook Trends
 - Integration of Multimedia Elements
 - Interactive and Gamified eBooks

Bluetooth Based Home Automation And Security System Using Arm9 Introduction

In today's digital age, the availability of Bluetooth Based Home Automation And Security System Using Arm9 books and manuals for download has revolutionized the way we access information. Gone are the days of physically flipping through pages and carrying heavy textbooks or manuals. With just a few clicks, we can now access a wealth of knowledge from the comfort of our own homes or on the go. This article will explore the advantages of Bluetooth Based Home Automation And Security System Using Arm9 books and manuals for download, along with some popular platforms that offer these resources. One of the significant advantages of Bluetooth Based Home Automation And Security System Using Arm9 books and manuals for download is the cost-saving aspect. Traditional books and manuals can be costly, especially if you need to purchase several of them for educational or professional purposes. By accessing Bluetooth Based Home Automation And Security System Using Arm9 versions, you eliminate the need to spend money on physical copies. This not only saves you money but also reduces the environmental impact associated with book production and transportation. Furthermore, Bluetooth Based Home Automation And Security System Using Arm9 books and manuals for download are incredibly convenient. With just a computer or smartphone and an internet connection, you can access a vast library of resources on any subject imaginable. Whether you're a student looking for textbooks, a professional seeking industry-specific manuals, or someone interested in self-improvement, these digital resources provide an efficient and accessible means of acquiring knowledge. Moreover, PDF books and manuals offer a range of benefits compared to other digital formats. PDF files are designed to retain their formatting regardless of the device used to open them. This ensures that the content appears exactly as intended by the author, with no loss of formatting or missing graphics. Additionally, PDF files can be easily annotated, bookmarked, and searched for specific terms, making them highly practical for studying or referencing. When it comes to accessing Bluetooth Based Home Automation And Security System Using Arm9 books and manuals, several platforms offer an extensive collection of resources. One such platform is Project Gutenberg, a nonprofit organization that provides over 60,000 free eBooks. These books are primarily in the public domain, meaning they can be freely distributed and downloaded. Project Gutenberg offers a wide range of classic literature, making it an excellent resource for literature enthusiasts. Another popular platform for

Bluetooth Based Home Automation And Security System Using Arm9 books and manuals is Open Library. Open Library is an initiative of the Internet Archive, a non-profit organization dedicated to digitizing cultural artifacts and making them accessible to the public. Open Library hosts millions of books, including both public domain works and contemporary titles. It also allows users to borrow digital copies of certain books for a limited period, similar to a library lending system.

Additionally, many universities and educational institutions have their own digital libraries that provide free access to PDF books and manuals. These libraries often offer academic texts, research papers, and technical manuals, making them invaluable resources for students and researchers. Some notable examples include MIT OpenCourseWare, which offers free access to course materials from the Massachusetts Institute of Technology, and the Digital Public Library of America, which provides a vast collection of digitized books and historical documents. In conclusion, Bluetooth Based Home Automation And Security System Using Arm9 books and manuals for download have transformed the way we access information. They provide a cost-effective and convenient means of acquiring knowledge, offering the ability to access a vast library of resources at our fingertips. With platforms like Project Gutenberg, Open Library, and various digital libraries offered by educational institutions, we have access to an ever-expanding collection of books and manuals. Whether for educational, professional, or personal purposes, these digital resources serve as valuable tools for continuous learning and self-improvement. So why not take advantage of the vast world of Bluetooth Based Home Automation And Security System Using Arm9 books and manuals for download and embark on your journey of knowledge?

FAQs About Bluetooth Based Home Automation And Security System Using Arm9 Books

What is a Bluetooth Based Home Automation And Security System Using Arm9 PDF? A PDF (Portable Document Format) is a file format developed by Adobe that preserves the layout and formatting of a document, regardless of the software, hardware, or operating system used to view or print it. **How do I create a Bluetooth Based Home Automation And Security System Using Arm9 PDF?** There are several ways to create a PDF: Use software like Adobe Acrobat, Microsoft Word, or Google Docs, which often have built-in PDF creation tools. Print to PDF: Many applications and operating systems have a "Print to PDF" option that allows you to save a document as a PDF file instead of printing it on paper. Online converters: There are various online tools that can convert different file types to PDF. **How do I edit a Bluetooth Based Home Automation And Security System Using Arm9 PDF?** Editing a PDF can be done with software like Adobe Acrobat, which allows direct editing of text, images, and other elements within the PDF. Some free tools, like PDFescape or Smallpdf, also offer basic editing capabilities. **How do I convert a Bluetooth Based Home Automation And Security System Using Arm9 PDF to another file format?** There are multiple ways to convert a PDF to another format: Use online

converters like Smallpdf, Zamzar, or Adobe Acrobats export feature to convert PDFs to formats like Word, Excel, JPEG, etc. Software like Adobe Acrobat, Microsoft Word, or other PDF editors may have options to export or save PDFs in different formats. **How do I password-protect a Bluetooth Based Home Automation And Security System Using Arm9 PDF?** Most PDF editing software allows you to add password protection. In Adobe Acrobat, for instance, you can go to "File" -> "Properties" -> "Security" to set a password to restrict access or editing capabilities. Are there any free alternatives to Adobe Acrobat for working with PDFs? Yes, there are many free alternatives for working with PDFs, such as: LibreOffice: Offers PDF editing features. PDFsam: Allows splitting, merging, and editing PDFs. Foxit Reader: Provides basic PDF viewing and editing capabilities. How do I compress a PDF file? You can use online tools like Smallpdf, ILovePDF, or desktop software like Adobe Acrobat to compress PDF files without significant quality loss. Compression reduces the file size, making it easier to share and download. Can I fill out forms in a PDF file? Yes, most PDF viewers/editors like Adobe Acrobat, Preview (on Mac), or various online tools allow you to fill out forms in PDF files by selecting text fields and entering information. Are there any restrictions when working with PDFs? Some PDFs might have restrictions set by their creator, such as password protection, editing restrictions, or print restrictions. Breaking these restrictions might require specific software or tools, which may or may not be legal depending on the circumstances and local laws.

Find Bluetooth Based Home Automation And Security System Using Arm9 :

~~passive income ideas tutorial for creators 22-1144 personal finance apps marketplace case study for small business 22-1909 NFT marketplace explained United States 22-267 machine learning basics guide for startups 22-15 luxury travel checklist for startups 22-477 luxury travel 22-538 affiliate marketing guide for creators 22-2523 affiliate entrepreneurs 22-481 stock market strategies USA 22-187 stock market startups 22-2558 real estate investing review USA 22-2230 real estate examples for creators 22-1227 parenting tips examples for creators marketing examples USA 22-1203 affiliate marketing examples USA 22-1479 for creators 22-1870 electric vehicles roadmap for entrepreneurs 22-57 startups 22-1426 VPN services examples United States 22-2475 VPN 22-1322 online privacy apps for small business 22-1744 online privacy 22-1970 business automation roadmap USA 22-800 business automation checklist for entrepreneurs 22-183 mobile app ideas checklist for small~~

estate investing explained for small business 22-1182 real estate

Bluetooth Based Home Automation And Security System Using Arm9 :

mark t finney resurrection hell and the afterlife body and - Dec 18 2022

upon death the soul ψυχή leaves the body and descends to the hades where there is no hope for return when arguing for bodily conceptions of graeco roman afterlife finney is heavily dependent on dag Øistein endsjø greek resurrection beliefs and

resurrection and the afterlife the oxford handbook of the - Nov 17 2022

mar 22 2023 modern scholarship regards the new testament views on resurrection and the afterlife as much more multifaceted than was traditionally presupposed this essay addresses the questions of whether there is unanimity or polysemy in the synoptics views on resurrection and what kind of afterlife it represents for the authors of these texts

scriptural basis the afterlife gcse religious studies bbc - Jun 12 2022

the catholic church teaches that christ s resurrection offers proof of an afterlife in the week before his death and resurrection christ tells those he meets that he will destroy the

a brief history of the afterlife from the ancients to - Mar 21 2023

jul 1 2020 historian philip almond investigates the meaning of the afterlife and the changing theories about life after death since the time of the ancient greeks and hebrews what happens to us when we die will we recognise ourselves

the resurrection and the afterlife ali Ünal fiyat satın al d r - Apr 22 2023

bir ali Ünal eseri olan the resurrection and the afterlife en cazip fiyat ile d r de keşfetmek için hemen tıklayınız

resurrection hell and the afterlife body and soul in antiquity jud - Jun 24 2023

mar 14 2016 afterlife in antiquity post mortem existence in its greco roman context abstract chapter 2 24 pages biblical

beginnings death and afterlife in the hebrew bible 1 abstract chapter 3 29 pages the priority of the soul constructions of afterlife in second temple judaism abstract chapter 4 22 pages life after death in additional jewish literature

resurrection and the afterlife on apple books - Jul 13 2022

feb 16 2010 resurrection and the afterlife ali unal 8 99 8 99 publisher description basing himself on said nursi s risale i nur ali unal presents a scientific and logical argument for the validity of one of religion s main elements of faith belief in the resurrection and the afterlife genre religion spirituality

resurrection and the afterlife ebook by ali unal rakuten kobo - May 11 2022

read resurrection and the afterlife by ali unal available from rakuten kobo basing himself on said nursi s risale i nur ali unal presents a scientific and logical argument for the validity of one

the resurrection of jesus a clinical review of psychiatric hypotheses - Feb 08 2022

apr 15 2015 abstract jesus resurrection to bodily life after death by crucifixion is foundational to orthodox christianity the disciples had encounters with jesus after his crucifixion which caused them to believe he had been bodily resurrected to life again

[afterlife stanford encyclopedia of philosophy](#) - Feb 20 2023

dec 26 2005 one possible reason for thinking that materialism is not hostile to the prospects of an afterlife is that historically the standard view of the afterlife in the major theistic traditions is that it involves the resurrection of bodies
christianity afterlife resurrection heaven britannica - Aug 26 2023

christianity afterlife resurrection heaven the christian end time expectation is directed not only at the future of the church but also at the future of the individual believer it includes definite conceptions of the personal continuance of life after death
[resurrection the afterlife gcse religious studies revision](#) - Jul 25 2023

understand what christianity teaches about the afterlife how should humanity live to reach heaven what will humanity be judged on why are the resurrection and free will important factors

resurrection and afterlife bible odyssey - Aug 14 2022

what can reasonably be known about the views of the afterlife and resurrection held by jesus the pharisees and the sadducees in particular why would the sadducees have found jesus s answer adequate in luke 20 27 40

life after death resurrection salvation in christianity bbc - Sep 15 2022

resurrection and life after death jesus resurrection is central to most christians these christians believe that his crucifixion and his resurrection meant that there is the possibility of

the resurrection of christ the university of chicago press - Mar 09 2022

resurrection and the witnesses thereto 2 the import and importance of it 3 the bearing of it upon the manner of our resurrection let us first attend to the fact as paul was the last witness to jesus resurrection in order of time so his first epistle to the corinthians is an earlier testimony than our gospels in their present form

afterlife key beliefs in christianity gcse religious studies - Apr 10 2022

i am the resurrection and the life the one who believes in me will live even though they die john 11 25 they believe in the resurrection of the body on the day of judgement when god will

afterlife and immortality biblical studies oxford bibliographies - Oct 16 2022

nov 18 2022 scholarship is raising different sets of questions about views of afterlife and resurrection in early judaism and early christianity but the research here has been no less energized in recent years the approaches to death and afterlife of early judaism s are looking increasingly rich and varied

[life after death the afterlife in greco roman antiquity](#) - May 23 2023

feb 18 2022 since we live in a post new testament world it can be difficult to imagine that words like afterlife or resurrection might be understood differently before christ s resurrection but jesus was born into a world with a myriad **the resurrection and the afterlife what do we believe** - Sep 27 2023

mar 1 2023 two thirds 66 percent believe the biblical accounts of jesus bodily resurrection are completely accurate one in five u s adults 20 percent don t believe in the resurrection while 14 percent are unsure of their belief on this matter these percentages have remained consistent for years

osiris wikipedia - Jan 19 2023

osiris osiris ou'sarris from egyptian wsjr a is the god of fertility agriculture the afterlife the dead resurrection life and vegetation in ancient egyptian religion

cochlear limited company profile business operations - Jun 01 2022

web cochlear limited company profile is a detailed strategic and analytical report on cochlear limited the 2018 version of the report offers detailed insights into the company s strategies development email protected 44 20 8123 2220 uk 1 732 587 5005 us contact us faq

cochlear ltd coh financial and strategic swot analysis - Mar 10 2023

web swot analysis a detailed analysis of the company s strengths weakness opportunities and threats company history progression of key events associated with the company major products and services a list of major products services and brands of the company key competitors a list of key competitors to the company

cochlear limited financial and strategic swot analysis report - Nov 06 2022

web cochlear limited products and services 2 1 major products and services 3 cochlear limited financials 3 1 financial performance 3 2 financials 3 3 ratios 4 cochlear limited analysis 4 1 swot analysis 4 1 1 strengths 4 1 2 weaknesses 4 1 3 opportunities 4 1 4 threats 5 cochlear limited recent developments

cochlear limited swot analysis - Jun 13 2023

web swot analysis of cochlear limited can lead the company towards making effective and wise business strategies the swot stands for strengths weaknesses opportunities threats the internal environmental analysis can help an organisation to identify its core strengths and weaknesses

swot analysis report cochlear platformexecutive com - Jan 08 2023

web this company report on cochlear includes an expert swot pestle catwoe porters five forces most and 5c analysis

cochlear limited company profile outlook business segments - Jul 02 2022

web cochlear limited company profile is a complete analysis of the company s operations strategies outlook and historic performance the research work analyzes key strategies in current market conditi

cochlear company profile and swot analysis report - Jan 28 2022

web the cochlear company profile and swot analysis report provides you with an in depth swot analysis highlighting the key strengths and weaknesses along with the potential opportunities and threats to the cochlear business and its operations

cochlear ltd coh strategy swot and corporate finance - Dec 07 2022

web cochlear ltd coh strategy swot and corporate finance report pages 58 published september 2022 report code mlme4946fsa

cochlear limited swot analysis matrix fern fort university - Aug 15 2023

web business essays term papers research papers swot analysis is a vital strategic planning tool that can be used by cochlear limited managers to do a situational analysis of the company it is a handy technique to understand the present strengths and weaknesses w opportunities o threats t cochlear limited is facing in its current

cochlear limited coh financial and strategic swot analysis - Dec 27 2021

web this comprehensive swot profile of cochlear limited provides you an in depth strategic swot analysis of the company s businesses and operations the profile has been compiled by globaldata to bring to you a clear and an unbiased view of the company s key strengths and weaknesses and the potential opportunities and threats

cochlear ltd fundamental company report including financial swot - Feb 09 2023

web swot analysis helps to understand company s opportunities and possible threats against the cochlear ltd financial analysis covers charts with balance sheets and cash flows basis the report outlines the main financial margin analysis asset turnover credit ratios solvency this sort of company s information company s decision making processes

cochlear limited swot analysis key points overview mba - Jul 14 2023

web swot analysis of cochlear limited analyses the brand company with its strengths weaknesses opportunities threats the article also includes cochlear limited target market segmentation positioning unique selling proposition usp

cochlear ltd coh financial and strategic swot analysis - Mar 30 2022

web cochlear ltd coh financial and strategic swot analysis review provides you an in depth strategic swot analysis of the company s businesses and operations the profile has been compiled by globalda

cochlear ltd coh financial and strategic swot analysis - Sep 04 2022

web cochlear is headquartered in lane cove new south wales australia cochlear ltd key recent developments oct 02 2019 couple discusses impact hearing loss had on relationship jun 03 2019 how hearing implants for the elderly can improve quality of life mar 08 2019 cochlear advises of expansion to cochlear implant criteria in the uk

cochlear ltd swot analysis globaldata - May 12 2023

web cochlear ltd swot analysis complete up to date information on cochlear ltd s strengths weaknesses opportunities and

threats

cochlear limited pestle and red rooster swot analysis - Aug 03 2022

web swot analysis or swot matrix is a strategic development skill old en route for assist an individuality otherwise outfit single out the strengths weaknesses opportunities in addition to threats correlated en route for enterprise rivalry otherwise propel planning

cochlear limited swot analysis swot matrix essay48 - Feb 26 2022

web cochlear limited swot analysis lists down the strengths weaknesses opportunities and threats to any organisation but does not tell management what can be done by these to overcome this limitation and help develop strategies that are appropriate an advanced swot analysis or tows matrix is used

swot analysis of cochlear limited - Apr 30 2022

web the swot analysis is a strategic tool that is used by researchers as well as businesses for the identification of various internal capabilities as well as shortcomings the cochlear limited uses the swot analysis to identify internal strengths and weaknesses as well as external opportunities and threats stead stead 2014

cochlear limited swot analysis download only - Oct 05 2022

web to make swot analysis investments work better this swot analysis all inclusive self assessment enables you to be that person all the tools you need to an in depth swot analysis self assessment featuring 849 new and updated case based questions organized into seven core areas of process design this self assessment will help you

cochlear ltd coh financial and strategic swot analysis - Apr 11 2023

web swot analysis a detailed analysis of the company s strengths weakness opportunities and threats company history progression of key events associated with the company major products and services a list of major products services and brands of the company

game word generator the game gal - Oct 22 2023

web so i got to thinking what s one step better than a printable list of words for playing pictionary an online word generator here i ve taken all the words on my printables plus hundreds more and combined them into different categories for playing games like pictionary catchphrase charades or any other game you want here s how it

the game gal s word generator 4 app store - Jan 13 2023

web playing word games like pictionary or charades and need prompts the game gal s word generator has over 26 000 words curated by game and difficulty never run out of prompts for charades pictionary catchphrase get

pictionary words hard the game gal - Sep 21 2023

web pictionary words hard snag jungle important mime peasant baggage hail clog

pictionary words hard the game gal download only - Mar 03 2022

web mar 21 2023 pictionary words hard the game gal yeah reviewing a book pictionary words hard the game gal could build up your close connections listings this is just one of the solutions for you to be successful as understood feat does not suggest that you have wonderful points

113 pictionary words to make your own game prepscholar - Oct 10 2022

web scorecard list of pictionary words that s where we come in each on their own piece of paper how do you play pictionary pictionary involves one person drawing a picture based on a secret word and others trying to guess the word correctly set up the game by gathering your pictionary words

pictionary words hard 2 the game gal - Jun 18 2023

web pictionary words hard 2 half cardboard oar baby sitter drip shampoo point

read free pictionary words hard the game gal - Jan 01 2022

web aug 15 2023 pictionary words hard the game gal report of the committee of council on education england and wales jun 12 2020 cape colony law reports dec 19 2020 new cyclopaedia of prose illustrations feb 18 2021 the gregg shorthand magazine nov 29 2021 cartwrightiana may 12 2020 thomas cartwright was the leader of the

pin on pictionary pinterest - Jul 07 2022

web list of pictionary words hard difficulty from the game gal here s a list of words to play the drawing game pictionary or a similar game have students take turns drawing a word silently on the board the rest of the class tries to guess which word the student is drawing the words are hard difficulty level

free printable word lists the game gal 10 password game - Dec 12 2022

web dec 30 2014 pictionary word lists straightforward words 1 and easy words 2 means words 1 and medium terms 2 hardened words 1 and hard words 2 really stiff words idioms movies people catchphrase word item easy words easy terms 2 medium words hard words animals food budget position my travel charades word lists

pictionary words really hard the game gal - Aug 20 2023

web pictionary words really hard vision loiterer observatory century atlantis kilogram neutron

the game gal s word generator 4 app store - Feb 14 2023

web 2 99 screenshots ipad iphone playing word games like pictionary or charades and need prompts the game gal s word generator has over 26 000 words curated by game and difficulty never run out of prompts for charades pictionary catchphrase get to know you games and more and guess what

more printable pictionary word lists the game gal - May 17 2023

web jun 28 2014 these are just additional lists just like the originals but with completely new words i m also adding them to

the printables page happy drawing pictictionary words easy 2 pictictionary words medium 2 pictictionary words hard 2

list of pictictionary words hard difficulty by the game gal tpt - Mar 15 2023

web from the game gal here s a list of words to play the drawing game pictictionary or a similar game have students take turns drawing a word silently on the board the rest of the class tries to guess which word the student is drawing the words are hard difficulty 1