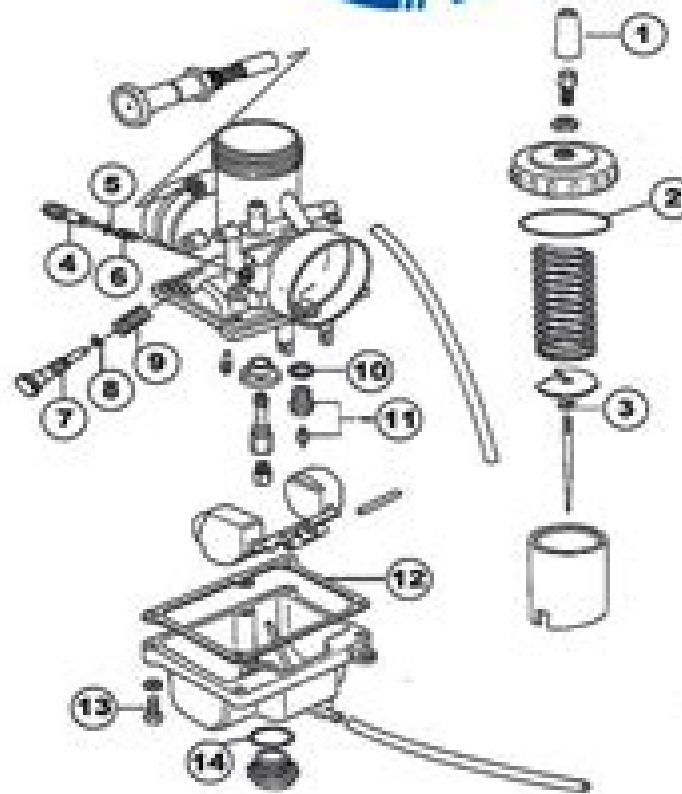


ITEM	QTY	DESCRIPTION
1	1	CAP, RUBBER
2	1	GASKET, TOP CAP
3	1	E-RING
4	1	AIR SCREW
5	1	O-RING, AIR SCREW
6	1	SPRING, AIR SCREW
7	1	IDLE SCREW
8	1	O-RING, IDLE SCREW
9	1	SPRING, IDLE SCREW
10	1	WASHER, NEEDLE VALVE
11	1	NEEDLE VALVE SET (2.5)
12	1	FLOAT BOWL GASKET
13	1	SCREW, FLOAT BOWL
14	4	O-RING, DRAIN PLUG

MK-606

Mikuni Application
VM20-606



MIKUNI AMERICAN CORPORATION

www.mikunipower.com

HEAD OFFICE: 8910 MIKUNI AVENUE
NORTHridge, CALIFORNIA 91324-3488
PHONE: (818) 993-1342
FAX: (818) 993-7819

Carburetor Troubleshooting Guide Motorcycle Performance

Clemens Wendtner



Carburetor Troubleshooting Guide Motorcycle Performance:

Embark on a transformative journey with Written by is captivating work, Grab Your Copy of **Carburetor Troubleshooting Guide Motorcycle Performance** . This enlightening ebook, available for download in a convenient PDF format Download in PDF: , invites you to explore a world of boundless knowledge. Unleash your intellectual curiosity and discover the power of words as you dive into this riveting creation. Download now and elevate your reading experience to new heights .

https://py.bijouxmedusa.com/data/book-search/index.jsp/Personal_Income_Tax_Act_Pita_Ammended_Firs.pdf

Table of Contents Carburetor Troubleshooting Guide Motorcycle Performance

1. Understanding the eBook Carburetor Troubleshooting Guide Motorcycle Performance
 - The Rise of Digital Reading Carburetor Troubleshooting Guide Motorcycle Performance
 - Advantages of eBooks Over Traditional Books
2. Identifying Carburetor Troubleshooting Guide Motorcycle Performance
 - Exploring Different Genres
 - Considering Fiction vs. Non-Fiction
 - Determining Your Reading Goals
3. Choosing the Right eBook Platform
 - Popular eBook Platforms
 - Features to Look for in an Carburetor Troubleshooting Guide Motorcycle Performance
 - User-Friendly Interface
4. Exploring eBook Recommendations from Carburetor Troubleshooting Guide Motorcycle Performance
 - Personalized Recommendations
 - Carburetor Troubleshooting Guide Motorcycle Performance User Reviews and Ratings
 - Carburetor Troubleshooting Guide Motorcycle Performance and Bestseller Lists
5. Accessing Carburetor Troubleshooting Guide Motorcycle Performance Free and Paid eBooks
 - Carburetor Troubleshooting Guide Motorcycle Performance Public Domain eBooks
 - Carburetor Troubleshooting Guide Motorcycle Performance eBook Subscription Services
 - Carburetor Troubleshooting Guide Motorcycle Performance Budget-Friendly Options

6. Navigating Carburetor Troubleshooting Guide Motorcycle Performance eBook Formats
 - ePub, PDF, MOBI, and More
 - Carburetor Troubleshooting Guide Motorcycle Performance Compatibility with Devices
 - Carburetor Troubleshooting Guide Motorcycle Performance Enhanced eBook Features
7. Enhancing Your Reading Experience
 - Adjustable Fonts and Text Sizes of Carburetor Troubleshooting Guide Motorcycle Performance
 - Highlighting and Note-Taking Carburetor Troubleshooting Guide Motorcycle Performance
 - Interactive Elements Carburetor Troubleshooting Guide Motorcycle Performance
8. Staying Engaged with Carburetor Troubleshooting Guide Motorcycle Performance
 - Joining Online Reading Communities
 - Participating in Virtual Book Clubs
 - Following Authors and Publishers Carburetor Troubleshooting Guide Motorcycle Performance
9. Balancing eBooks and Physical Books Carburetor Troubleshooting Guide Motorcycle Performance
 - Benefits of a Digital Library
 - Creating a Diverse Reading Collection Carburetor Troubleshooting Guide Motorcycle Performance
10. Overcoming Reading Challenges
 - Dealing with Digital Eye Strain
 - Minimizing Distractions
 - Managing Screen Time
11. Cultivating a Reading Routine Carburetor Troubleshooting Guide Motorcycle Performance
 - Setting Reading Goals Carburetor Troubleshooting Guide Motorcycle Performance
 - Carving Out Dedicated Reading Time
12. Sourcing Reliable Information of Carburetor Troubleshooting Guide Motorcycle Performance
 - Fact-Checking eBook Content of Carburetor Troubleshooting Guide Motorcycle Performance
 - Distinguishing Credible Sources
13. Promoting Lifelong Learning
 - Utilizing eBooks for Skill Development
 - Exploring Educational eBooks
14. Embracing eBook Trends
 - Integration of Multimedia Elements

- Interactive and Gamified eBooks

Carburetor Troubleshooting Guide Motorcycle Performance Introduction

In this digital age, the convenience of accessing information at our fingertips has become a necessity. Whether its research papers, eBooks, or user manuals, PDF files have become the preferred format for sharing and reading documents. However, the cost associated with purchasing PDF files can sometimes be a barrier for many individuals and organizations. Thankfully, there are numerous websites and platforms that allow users to download free PDF files legally. In this article, we will explore some of the best platforms to download free PDFs. One of the most popular platforms to download free PDF files is Project Gutenberg. This online library offers over 60,000 free eBooks that are in the public domain. From classic literature to historical documents, Project Gutenberg provides a wide range of PDF files that can be downloaded and enjoyed on various devices. The website is user-friendly and allows users to search for specific titles or browse through different categories. Another reliable platform for downloading Carburetor Troubleshooting Guide Motorcycle Performance free PDF files is Open Library. With its vast collection of over 1 million eBooks, Open Library has something for every reader. The website offers a seamless experience by providing options to borrow or download PDF files. Users simply need to create a free account to access this treasure trove of knowledge. Open Library also allows users to contribute by uploading and sharing their own PDF files, making it a collaborative platform for book enthusiasts. For those interested in academic resources, there are websites dedicated to providing free PDFs of research papers and scientific articles. One such website is Academia.edu, which allows researchers and scholars to share their work with a global audience. Users can download PDF files of research papers, theses, and dissertations covering a wide range of subjects. Academia.edu also provides a platform for discussions and networking within the academic community. When it comes to downloading Carburetor Troubleshooting Guide Motorcycle Performance free PDF files of magazines, brochures, and catalogs, Issuu is a popular choice. This digital publishing platform hosts a vast collection of publications from around the world. Users can search for specific titles or explore various categories and genres. Issuu offers a seamless reading experience with its user-friendly interface and allows users to download PDF files for offline reading. Apart from dedicated platforms, search engines also play a crucial role in finding free PDF files. Google, for instance, has an advanced search feature that allows users to filter results by file type. By specifying the file type as "PDF," users can find websites that offer free PDF downloads on a specific topic. While downloading Carburetor Troubleshooting Guide Motorcycle Performance free PDF files is convenient, its important to note that copyright laws must be respected. Always ensure that the PDF files you download are legally available for free. Many authors and publishers voluntarily provide free PDF versions of their work, but its essential to be cautious and verify the authenticity of the source before downloading Carburetor Troubleshooting Guide Motorcycle Performance. In conclusion, the

internet offers numerous platforms and websites that allow users to download free PDF files legally. Whether its classic literature, research papers, or magazines, there is something for everyone. The platforms mentioned in this article, such as Project Gutenberg, Open Library, Academia.edu, and Issuu, provide access to a vast collection of PDF files. However, users should always be cautious and verify the legality of the source before downloading Carburetor Troubleshooting Guide Motorcycle Performance any PDF files. With these platforms, the world of PDF downloads is just a click away.

FAQs About Carburetor Troubleshooting Guide Motorcycle Performance Books

How do I know which eBook platform is the best for me? Finding the best eBook platform depends on your reading preferences and device compatibility. Research different platforms, read user reviews, and explore their features before making a choice. Are free eBooks of good quality? Yes, many reputable platforms offer high-quality free eBooks, including classics and public domain works. However, make sure to verify the source to ensure the eBook credibility. Can I read eBooks without an eReader? Absolutely! Most eBook platforms offer webbased readers or mobile apps that allow you to read eBooks on your computer, tablet, or smartphone. How do I avoid digital eye strain while reading eBooks? To prevent digital eye strain, take regular breaks, adjust the font size and background color, and ensure proper lighting while reading eBooks. What the advantage of interactive eBooks? Interactive eBooks incorporate multimedia elements, quizzes, and activities, enhancing the reader engagement and providing a more immersive learning experience. Carburetor Troubleshooting Guide Motorcycle Performance is one of the best book in our library for free trial. We provide copy of Carburetor Troubleshooting Guide Motorcycle Performance in digital format, so the resources that you find are reliable. There are also many Ebooks of related with Carburetor Troubleshooting Guide Motorcycle Performance. Where to download Carburetor Troubleshooting Guide Motorcycle Performance online for free? Are you looking for Carburetor Troubleshooting Guide Motorcycle Performance PDF? This is definitely going to save you time and cash in something you should think about. If you trying to find then search around for online. Without a doubt there are numerous these available and many of them have the freedom. However without doubt you receive whatever you purchase. An alternate way to get ideas is always to check another Carburetor Troubleshooting Guide Motorcycle Performance. This method for see exactly what may be included and adopt these ideas to your book. This site will almost certainly help you save time and effort, money and stress. If you are looking for free books then you really should consider finding to assist you try this. Several of Carburetor Troubleshooting Guide Motorcycle Performance are for sale to free while some are payable. If you arent sure if the books you would like to download works with for usage along with your computer, it is possible to download free trials. The free guides make it easy for someone to free access online library for download books to your device. You can get free download on free trial for lots of

books categories. Our library is the biggest of these that have literally hundreds of thousands of different products categories represented. You will also see that there are specific sites catered to different product types or categories, brands or niches related with Carburetor Troubleshooting Guide Motorcycle Performance. So depending on what exactly you are searching, you will be able to choose e books to suit your own need. Need to access completely for Campbell Biology Seventh Edition book? Access Ebook without any digging. And by having access to our ebook online or by storing it on your computer, you have convenient answers with Carburetor Troubleshooting Guide Motorcycle Performance To get started finding Carburetor Troubleshooting Guide Motorcycle Performance, you are right to find our website which has a comprehensive collection of books online. Our library is the biggest of these that have literally hundreds of thousands of different products represented. You will also see that there are specific sites catered to different categories or niches related with Carburetor Troubleshooting Guide Motorcycle Performance So depending on what exactly you are searching, you will be able to choose ebook to suit your own need. Thank you for reading Carburetor Troubleshooting Guide Motorcycle Performance. Maybe you have knowledge that, people have search numerous times for their favorite readings like this Carburetor Troubleshooting Guide Motorcycle Performance, but end up in harmful downloads. Rather than reading a good book with a cup of coffee in the afternoon, instead they juggled with some harmful bugs inside their laptop. Carburetor Troubleshooting Guide Motorcycle Performance is available in our book collection an online access to it is set as public so you can download it instantly. Our digital library spans in multiple locations, allowing you to get the most less latency time to download any of our books like this one. Merely said, Carburetor Troubleshooting Guide Motorcycle Performance is universally compatible with any devices to read.

Find Carburetor Troubleshooting Guide Motorcycle Performance :

personal income tax act pita ammended firs

pif gadget n 1 a 200 en

[physics for scientists and engineers 2nd edition by randall d knight download ebook](#)

[plumbing interview questions and answers](#)

physics for scientists and engineers volume 2 chapters 21 33

[philip kotler marketing management 12th edition](#)

[photographers guide to the sony dsc rx100 iii getting the most from sonys pocketable digital cameradavid buschaeurtms sony](#)

[alpha a7r ii a7 ii guide to digital photography a](#)

plunketts e commerce internet business almanac 2010 e commerce internet business industry market research statistics trends leading companies

pgf manual texample

personality and second language learning ccse

petersen s abominations five epic tales of modern horror

physical therapy case files neurological rehabilitation

pietr le letton presses pocket 1345

personal knowledge michael polanyi

power supply manual corsair

Carburetor Troubleshooting Guide Motorcycle Performance :

mydoorablescollectionjournal raffaeladinapoli book - Jan 29 2022

web my doorables collection journal old restorativejustice org my doorables collection journal my doorables collection journal 2 downloaded from old restorativejustice org on 2023 02 18 by guest readers with easy to read text high interest content fast paced plots and illustrations on every page these books will boost

my doorables collection journal uniport edu ng - Dec 28 2021

web our books collection spans in multiple countries allowing you to get the most less latency time to download any of our books like this one kindly say the my doorables collection journal is universally compatible with any devices to read great shelby holmes and the coldest case elizabeth eulberg 2019 01 10 the third book in elizabeth

my doorables collection journal by princess jasmine bueng - Oct 06 2022

web jun 10 2023 my doorables collection journal paperback june 13 2019 by princess jasmine author 3 0 out of 5 stars 2 ratings see all formats and editions hide other formats and editions price new

cucnpef d0wnl0ad my doorables collection journal - Jul 03 2022

web size 32 349 kb d0wnl0ad pdf ebook textbook my doorables collection journal by unknown d0wnl0ad url popularcloudmedia blogspot com away39 php asin 1073732509 cucnpef d0wnl0ad my doorables collection journal by unknown pdf ebook epub

amazon com doorables - Jan 09 2023

web disney doorables stitch collection peek basket stuffers officially licensed kids toys for ages 5 up gifts and presents by just play 6 998 1k bought in past month 1199 list 16 99 free delivery fri sep 15 on 25 of items shipped by amazon or fastest delivery thu sep 14 ages 5 12 years

my doorables collection journal old talentsprint com - May 01 2022

web my doorables collection journal downloaded from old talentsprint com by guest reina carr dolls journal independently

published alicia and the secret door is one of the stationery series alicia in wonderland notebook journals purple collection this 6 x 9 notebook has a chic matte finish cover featuring an illustration of

disney doorables checklist life family joy - Dec 08 2022

web disney doorables checklist i love working on custom orders especially when t big signs for the win i love seeing all the diffe i love custom color requests this yellow with the i love seeing all the patriotic decor going out to it s

my doorables collection journal pdf free roohish - Aug 04 2022

web my doorables collection journal pdf decoding my doorables collection journal pdf revealing the captivating potential of verbal expression in an era characterized by interconnectedness and an insatiable thirst for knowledge the captivating

my doorables collection journal by princess jasmine goodreads - May 13 2023

web this is an engaging and fun journal for kids and adults who love collecting doorables it has prompts and areas to draw or paste photos and write about all your favorites thoughtful addition for a birthday or holiday gift

my doorables collection journal tapa blanda 13 junio 2019 - Jul 15 2023

web this is an engaging and fun journal for kids and adults who love collecting doorables it has prompts and areas to draw or paste photos and write about all your favorites thoughtful addition for a birthday or holiday gift answer questions such as who is your favorite animal doorable what doorables do you hope they make next

disney doorables disney wiki fandom - Nov 07 2022

web disney doorables is a toy series made by moose toys and just play products playsets were made to make your own door sets based on beloved disney and pixar movies mickey mouse minnie mouse donald duck daisy duck goofy pluto chip and dale clarabelle cow figaro pinocchio character jiminy cricket geppetto blue fairy figaro cleo cinderella

my doorables collection journal amazon com - Aug 16 2023

web jun 13 2019 this is an engaging and fun journal for kids and adults who love collecting doorables it has prompts and areas to draw or paste photos and write about all your favorites thoughtful addition for a birthday or holiday gift answer questions such as who is your favorite animal doorable what doorables do you hope they make next

amazon es opiniones de clientes my doorables collection journal - Mar 11 2023

web vea reseñas y calificaciones de reseñas que otros clientes han escrito de my doorables collection journal en amazon com lea reseñas de productos sinceras e imparciales de nuestros usuarios

my doorables collection journal paperback 13 jun 2019 - Jun 14 2023

web select the department you want to search in

disney doorables disney partners - Feb 10 2023

web explore the world of disney doorables available today

raajvkz d0wnl0ad my doorables collection journal - Jun 02 2022

web size 13 662 kb d0wnl0ad pdf ebook textbook my doorables collection journal by unknown d0wnl0ad url countrytoplibrary.blogspot.com away67.php asin 1073732509 raajvkz d0wnl0ad my doorables collection journal by unknown pdf ebook epub

o52dlmq d0wnl0ad my doorables collection journal - Sep 05 2022

web size 16 071 kb d0wnl0ad pdf ebook textbook my doorables collection journal by unknown d0wnl0ad url officialmediatrending.blogspot.com away25.php asin 1073732509 o52dlmq d0wnl0ad my doorables collection journal by unknown pdf ebook epub

my doorables collection journal rc spectrallabs com - Mar 31 2022

web my doorables collection journal alice in wonderland journal alice and the secret door blue disney villains the evilest of them all alice in wonderland journal alice and the secret door grey my memories our family journal book collecting is my jam memories of my childhood my quotable grandkid the funniest things patients say

my doorables collection journal uniport edu ng - Feb 27 2022

web my doorables collection journal 2 7 downloaded from uniport.edu.ng on may 6 2023 by guest fast bedtime reading for sleepy kids very veggie 5 minute stories brings fans a new collection of nine veggietales adventures as the veggie cast stumbles and sprints through hilarious scenarios children

my doorables collection journal jasmine princess - Apr 12 2023

web hello sign in account lists returns orders cart

[iep progress report examples spedtrack](#) - Sep 08 2023

web oct 12 2021 teacher comments for work habits 1 works well with classmates is a strong leader motivates others to complete work 2 they remain focused during

report card and comments wiley - Apr 03 2023

web comment on the specific progress the student has made on his/her smart learning expectations strategies reporting guidelines for accommodations only while

101 progress report comments you'll find helpful - Jul 06 2023

web learner consistently makes good choices during the school day learner shows respect for peers and teachers learner transitions easily between classroom activities and is not a

the iep progress report understanding your child's progress - Sep 27 2022

web a comment field is also provided for relevant feedback on the student 4 clicking on the blue hyperlinked view previous progress reports will open a popup window

[progress report template for iep goals study.com](#) - Jun 24 2022

web for this example the 1st progress report has been selected note the iep progress report section only appears on the measurable annual goals section after the iep has

100 report card and progress report comments that teachers - May 04 2023

web considered when an iep team is determining measures of progress towards iep goals measuring and reporting student progress center for parent information and

find free courses com - Dec 19 2021

66 fantastic teacher comments for progress reports - Aug 07 2023

web this article dives deep the an iep progress report this components of an excellent report examples plus what to escape although preparing one

comment ideas for report cards progress reports - May 24 2022

web for full functionality of this site it is necessary to enable javascript here are the instructions how to enable javascript in your web browser

iep progress report and measures of progress writing tips - Aug 27 2022

web are you reading a foreign language regarding your child s development if so you re not alone iep progress reports can be intimidating and perplexing but do not need to be

pdf report card and iep comments waqar saleem - Nov 17 2021

measuring and reporting student progress center for - Dec 31 2022

web solutions special education manage iep s analysis and goal progress inches sole solution progress monitoring easily track report on your students iep goal progress

measuring and reporting progress in the iep partners - Feb 18 2022

how to write iep progress reports mrs d s corner - Oct 09 2023

web the progress report is typically generated by your districts iep program but should include the following the students annual iep goals any benchmarks or objectives for the

5 tips for a meaningful iep progress report aba in - Mar 02 2023

web oct 7 2019 your child s iep progress report is key to their ongoing learning and development and identifies if their iep team has been effective in improving and building

measuring progress iep - Feb 01 2023

web in order to make a graph of progress your child s iep needs measurable goals to be sure the data can be viewed for progress at any point you can write goals using data points

iep progress reports sd23 - Apr 22 2022

web a more conscientious individual has report card and iep comments 7 f set goals for his her own achievement and is working diligently to attain them he she is encouraged

iep progress report examples special education journey - Mar 22 2022

iep progress report examples what should be reported vs - Jul 26 2022

web sep 29 2022 contents of the iep measuring and reporting progress in the iep another component of the iep that idea requires is specifying how the child s progress will be

iep progress reports what should be reported vs - Nov 29 2022

web goals baseline progress 2 1 2018 progress 5 1 2018 progress 11 1 2019 by november 2019 amy will read 18 out of 20 sight words correctly in 2 out of 3 opportunities 15 out of

progress reporting for an individualized education program - Jan 20 2022

iep progress report examples what should be reported vs - Jun 05 2023

web co has made some good excellent progress this term g remains focused in class but often occasionally rarely needs reminders to stay on task g consistently

reporting on iep progress teach special education - Oct 29 2022

web nov 12 2010 gaining more self confidence has a pleasant personality has earned a very fine report card has improved steadily is learning to listen to directions more carefully

the girls body book everything you need to know for gr - May 12 2023

web just as boys headed straight to last season s the boy s body book for information and reassurance this companion volume is destined to become the go to guide for adolescent females fun to read and easy to carry it answers all the important questions about becoming a woman that girls are sometimes too embarrassed to ask

the girl s body book the revised and updated fifth edition - Feb 09 2023

web amazon com the girl s body book the revised and updated fifth edition everyday you need to know for a healthy happy you audible audio edition kelli dunham rn maris s mcfadden appleseed press book publishers books books children s books growing up facts of life health maturing kindle 0 00 or 7 99 audiobook 0 00

the girl s body book everything you need to know for growing up you - Jul 02 2022

web the girl s body book everything you need to know for growing up you girlsworld dunham kelli amazon com au books
the girl s body book everything you need to know for growing up you - Aug 03 2022

web jan 1 2009 the girl s body book everything you need to know for growing up you dunham kelli on amazon com free shipping on qualifying offers the girl s body book everything you need to know for growing up you the girl s body book everything you need to know for growing up you dunham kelli 9781439587669

the girl s body book everything girls need to know for growing - Dec 07 2022

web may 30 2019 the girl s body book everything girls need to know for growing up puberty guide girl body changes health education book parenting topics social for growing up boys girls body books kelli dunham amazon co uk books children s books growing up facts of life family life buy new 8 09 rrp 9 99 details

the girl s body book everything girls need to know for growing - Jan 28 2022

web the girl s body book everything girls need to know for growing up puberty guide girl body changes health education book parenting topics social for growing up boys girls body books by kelli dunham at abebooks co uk isbn 10 1604338334 isbn 13 9781604338331 applesauce press 2019 softcover

the girls body book fifth edition kelli dunham google books - Jan 08 2023

web may 7 2019 the updated fifth edition of the 1 bestselling girl s body book includes everything you need to know about growing up even the embarrassing stuff from periods to peer pressure

the girl s body book everything you need to know for growing up you - Mar 30 2022

web big changes ahead in the beginning a quick intro to puberty taking care of business your changing body and all its bits the care and feeding of your body part two your health and your body changing you changing home the ever growing outside world school friends and feelings staying safe in the real and virtual worlds

the girl s body book fifth edition everything girls need to know - Jun 01 2022

web a guide to help preteen girls navigate the changes and challenges of puberty and growing up from periods to peer pressure puberty is hard this newly updated fifth edition helps prepare young girls and their parents for the ups and downs of puberty middle school and everything in between

the girls body book everything you need to know for growing up you - Feb 26 2022

web aug 6 2013 growing up isn t as easy as it looks with changing emotions friends expectations and bodies some days it can seem like life is one big roller coaster ride the girl s body book is

1439587663 the girl s body book everything you need to know - Dec 27 2021

web the girl s body book everything you need to know for growing up you find all books from kelli dunham at find more books com you can find used antique and new books compare results and immediately purchase your selection at

the girl s body book fifth edition everything girls need to know - Mar 10 2023

web may 7 2019 the 1 bestselling girl s body book includes everything you need to know about growing up even the embarrassing stuff the newly updated fifth edition provides advice for parents and addresses questions a pre teen girl may have while maturing through puberty

girl s body book everything you need to know for growing up you - Oct 05 2022

web mar 20 2014 girls body book fifth edition everything girls need to know for growing up puberty guide girl body changes health education book parenting for growing up boys girls body books 8 31 2 039 in stock

the girls body book third edition everything you need to know - Jun 13 2023

web jul 21 2015 the girls body book third edition everything you need to know for growing up you dunham kelli tallardy laura 9781604335750 amazon com books books

the girl s body book everything you need to know for growing up you - Apr 11 2023

web nov 1 2011 the girl s body book everything you need to know for growing up you girlsworld kindle edition by dunham kelli tallardy laura download it once and read it on your kindle device pc phones or tablets

the girls body book everything you need to know for growing up you - Jul 14 2023

web the girls body book everything you need to know for growing up you dunham kelli amazon com tr kitap

the girls body book third edition everything you need to know - Apr 30 2022

web topics covered include from hair care to high heels a head to toe guide to what s happening with your changing body dealing with your friends even when they don t want to deal with you and how to handle mean girls bullies and cyberbullies the care and keeping of parents teachers brothers and sisters finding out what

the girl s body book everything you need to know for a healthy - Nov 06 2022

web summary the updated fifth edition of the 1 bestselling girl s body book includes everything you need to know about growing up even the embarrassing stuff from periods to peer pressure puberty can be a confusing time for pre teens and parents alike

the girl s body book kirkus reviews - Sep 04 2022

web nov 14 2017 a growing up guide for preteen girls this puberty navigation guide covers girls bodily changes body care health relationships with family and friends staying safe and handling stress in many cases the author a registered nurse has covered the same material as she did in various editions of this title as well as the boy s body book

the girls body book everything you need to know for growing up you - Aug 15 2023

web jun 3 2008 from hygiene to exercise teachers to peer pressure everything s discussed here in a frank and friendly way parents that drive you crazy boys who ve caught your eye best friends physical changes and menstruation schools and grades

body image and proper nutrition and moodiness and other emotional stuff