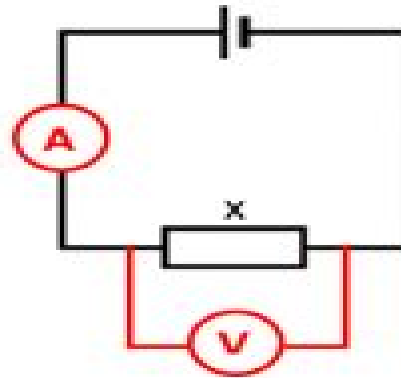


The diagram shows a simple series circuit.



(a) What is the name of the component labelled X?

[1]

**Resistor**

(b) Draw an ammeter *and* a voltmeter on the diagram to show how the current and voltage would be measured through this component.

[2]

The following measurements were taken from the circuit.

Voltage (V)	Current (A)
0.0	0.0
2.0	1.0
4.0	2.0
6.0	3.0
8.0	4.0
12.0	6.0

# Digital Electronic Circuits Exam Questions And Answers

**Nodia**



## **Digital Electronic Circuits Exam Questions And Answers:**

Digital Electronics MCQ (Multiple Choice Questions) Arshad Iqbal, The Digital Electronics Multiple Choice Questions MCQ Quiz with Answers PDF Digital Electronics MCQ PDF Download Quiz Questions Chapter 1 25 Practice Tests with Answer Key Electronics Questions Bank MCQs Notes includes revision guide for problem solving with hundreds of solved MCQs Digital Electronics MCQ with Answers PDF book covers basic concepts analytical and practical assessment tests Digital Electronics MCQ PDF book helps to practice test questions from exam prep notes The Digital Electronics MCQs with Answers PDF eBook includes revision guide with verbal quantitative and analytical past papers solved MCQs Digital Electronics Multiple Choice Questions and Answers MCQs PDF Free download chapter 1 a book covers solved quiz questions and answers on chapters Analog to digital converters BICMOS digital circuits bipolar junction transistors BJT advanced technology dynamic switching BJT digital circuits CMOS inverters CMOS logic gates circuits digital logic gates dynamic logic circuits Emitter Coupled Logic ECL encoders and decoders gallium arsenide digital circuits introduction to digital electronics latches and flip flops MOS digital circuits multi vibrators circuits number systems pass transistor logic circuits pseudo NMOS logic circuits random access memory cells read only memory ROM semiconductor memories sense amplifiers and address decoders spice simulator Transistor Transistor Logic TTL tests for college and university revision guide Digital Electronics Quiz Questions and Answers PDF free download eBook s sample covers beginner s solved questions textbook s study notes to practice online tests The book Digital Electronics MCQs Chapter 1 25 PDF includes high school question papers to review practice tests for exams Digital Electronics Multiple Choice Questions MCQ with Answers PDF digital edition eBook a study guide with textbook chapters tests for NEET Jobs Entry Level competitive exam Digital Electronics Mock Tests Chapter 1 25 eBook covers problem solving exam tests from electronics engineering textbook and practical eBook chapter wise as Chapter 1 Analog to Digital Converters MCQ Chapter 2 BICMOS Digital Circuits MCQ Chapter 3 Bipolar Junction Transistors MCQ Chapter 4 BJT Advanced Technology Dynamic Switching MCQ Chapter 5 BJT Digital Circuits MCQ Chapter 6 CMOS Inverters MCQ Chapter 7 CMOS Logic Gates Circuits MCQ Chapter 8 Digital Logic Gates MCQ Chapter 9 Dynamic Logic Circuits MCQ Chapter 10 Emitter Coupled Logic ECL MCQ Chapter 11 Encoders and Decoders MCQ Chapter 12 Gallium Arsenide Digital Circuits MCQ Chapter 13 Introduction to Digital Electronics MCQ Chapter 14 Latches and Flip Flops MCQ Chapter 15 MOS Digital Circuits MCQ Chapter 16 Multivibrators Circuits MCQ Chapter 17 Number Systems MCQ Chapter 18 Pass Transistor Logic Circuits MCQ Chapter 19 Pseudo NMOS Logic Circuits MCQ Chapter 20 Random Access Memory Cells MCQ Chapter 21 Read Only Memory ROM MCQ Chapter 22 Semiconductor Memories MCQ Chapter 23 Sense Amplifiers and Address Decoders MCQ Chapter 24 SPICE Simulator MCQ Chapter 25 Transistor Transistor Logic TTL MCQ The Analog to Digital Converters MCQ PDF e Book Chapter 1 practice test to solve MCQ questions on Digital to analog converter and seven segment display The BICMOS Digital Circuits MCQ PDF e Book Chapter 2 practice test to solve MCQ questions on

Introduction to BICMOS BICMOS inverter and dynamic operation The Bipolar Junction Transistors MCQ PDF e Book Chapter 3 practice test to solve MCQ questions on Basic transistor operation collector characteristic curves current and voltage analysis DC load line derating PD maximum maximum transistor rating transistor as amplifier transistor characteristics and parameters transistor regions transistor structure transistors and switches The BJT Advanced Technology Dynamic Switching MCQ PDF e Book Chapter 4 practice test to solve MCQ questions on Saturating and non saturating logic and transistor switching times The BJT Digital Circuits MCQ PDF e Book Chapter 5 practice test to solve MCQ questions on BJT inverters Diode Transistor Logic DTL Resistor Transistor Logic RTL and RTL SR flip flop The CMOS Inverters MCQ PDF e Book Chapter 6 practice test to solve MCQ questions on Circuit structure CMOS dynamic operation CMOS dynamic power dissipation CMOS noise margin and CMOS static operation The CMOS Logic Gates Circuits MCQ PDF e Book Chapter 7 practice test to solve MCQ questions on Basic CMOS gate structure basic CMOS gate structure representation CMOS exclusive OR gate CMOS NAND gate CMOS NOR gate complex gate PUN PDN from PDN PUN and transistor sizing The Digital Logic Gates MCQ PDF e Book Chapter 8 practice test to solve MCQ questions on NAND NOR and NXOR gates applications of gate building gates from gates electronics and gate electronics OR gate gate basics gates with more than two inputs masking in logic gates negation OR and XOR gates The Dynamic Logic Circuits MCQ PDF e Book Chapter 9 practice test to solve MCQ questions on Cascading dynamic logic gates domino CMOS logic dynamic logic circuit leakage effects dynamic logic circuits basic principle dynamic logic circuits charge sharing and dynamic logic circuits noise margins The Emitter Coupled Logic ECL MCQ PDF e Book Chapter 10 practice test to solve MCQ questions on Basic gate circuit ECL basic principle ECL families ECL manufacturer specification electronics and speed electronics power dissipation fan out signal transmission thermal effect and wired capability The Encoders and Decoders MCQ PDF e Book Chapter 11 practice test to solve MCQ questions on Counter decoder applications decoder basics decoding and encoding encoder applications encoder basics The Gallium Arsenide Digital Circuits MCQ PDF e Book Chapter 12 practice test to solve MCQ questions on Buffered FET logic DCFL disadvantages GAAS DCFL basics gallium arsenide basics logic gates using MESFETs MESFETs basics MESFETs functional architecture RTL vs DCFL and Schottky diode FET logic The Introduction to Digital Electronics MCQ PDF e Book Chapter 13 practice test to solve MCQ questions on Combinational and sequential logic circuits construction digital and analog signal digital circuits history digital electronics basics digital electronics concepts digital electronics design digital electronics fundamentals electronic gates FIFO and LIFO history of digital electronics properties register transfer systems RS 232 RS 233 serial communication introduction structure of digital system synchronous and asynchronous sequential systems The Latches and Flip Flops MCQ PDF e Book Chapter 14 practice test to solve MCQ questions on CMOS implementation of SR flip flops combinational and sequential circuits combinational and sequential logic circuits d flip flop circuits d flip flops digital electronics interview questions digital electronics solved questions JK flip flops

latches shift registers and SR flip flop The MOS Digital Circuits MCQ PDF e Book Chapter 15 practice test to solve MCQ questions on BICMOS inverter CMOS vs BJT digital circuits history dynamic operation introduction to BICMOS MOS fan in fan out MOS logic circuit characterization MOS power delay product MOS power dissipation MOS propagation delay and types of logic families The Multi Vibrators Circuits MCQ PDF e Book Chapter 16 practice test to solve MCQ questions on Astable circuit bistable circuit CMOS monostable circuit and monostable circuit The Number Systems MCQ PDF e Book Chapter 17 practice test to solve MCQ questions on Introduction to number systems octal number system hexadecimal number system Binary Coded Decimal BCD binary number system decimal number system and EBCDIC The Pass Transistor Logic Circuits MCQ PDF e Book Chapter 18 practice test to solve MCQ questions on complementary PTL PTL basic principle PTL design requirement PTL introduction and PTL NMOS transistors as switches The Pseudo NMOS Logic Circuits MCQ PDF e Book Chapter 19 practice test to solve MCQ questions on Pseudo NMOS advantages pseudo NMOS applications pseudo NMOS dynamic operation pseudo NMOS gate circuits pseudo NMOS inverter pseudo NMOS inverter VTC static characteristics The Random Access Memory Cells MCQ PDF e Book Chapter 20 practice test to solve MCQ questions on Dynamic memory cell dynamic memory cell amplifier random access memory cell types and static memory cell The Read Only Memory ROM MCQ PDF e Book Chapter 21 practice test to solve MCQ questions on EEPROM basics EEPROM history EEPROM introduction EEPROM ports EEPROM specializations EEPROM technology extrapolation ferroelectric ram FG MOS basics FG MOS functionality flash memory floating gate transistor mask programmable ROMS mask programmable ROMS fabrication MOS ROM MRAM programmable read only memory programmable ROMS rom introduction volatile and non volatile memory The Semiconductor Memories MCQ PDF e Book Chapter 22 practice test to solve MCQ questions on Memory chip organization memory chip timing and types of memory The Sense Amplifiers and Address Decoders MCQ PDF e Book Chapter 23 practice test to solve MCQ questions on Column address decoder differential operation in dynamic rams operation of sense amplifier row address decoder sense amplifier component and sense amplifier with positive feedback The SPICE Simulator MCQ PDF e Book Chapter 24 practice test to solve MCQ questions on Spice AC analysis spice DC analysis spice DC transfer curve analysis spice features spice introduction spice noise analysis spice transfer function analysis and spice versions The Transistor Transistor Logic TTL MCQ PDF e Book Chapter 25 practice test to solve MCQ questions on Characteristics of standard TTL complete circuit of TTL gate DTL slow response evolution of TTL inputs and outputs of TTL gate low power Schottky TTL multi emitter transistors noise margin of TTL Schottky TTL Schottky TTL performance characteristics TTL power dissipation and wired logic connections

**Electronic Circuit Design MCQ (Multiple Choice Questions)** Arshad Iqbal, The Electronic Circuit Design Multiple Choice Questions MCQ Quiz with Answers PDF Circuit Design MCQ PDF Download Quiz Questions Chapter 1 11 Practice Tests with Answer Key Electronic Circuit Questions Bank MCQs Notes includes revision guide for problem solving with hundreds of solved MCQs Electronic Circuit Design MCQ with

Answers PDF book covers basic concepts analytical and practical assessment tests Electronic Circuit Design MCQ PDF book helps to practice test questions from exam prep notes The Electronic Circuit Design MCQs with Answers PDF eBook includes revision guide with verbal quantitative and analytical past papers solved MCQs Electronic Circuit Design Multiple Choice Questions and Answers MCQs PDF Free download chapter 1 a bookcovers solved quiz questions and answers on chapters Amplifier frequency response bipolar junction transistors BJT amplifiers diode applications field effect transistors FET amplifiers introduction to electronics power amplifiers semiconductors basics special purpose diodes transistor bias circuits tests for college and university revision guide Electronic Circuit Design Quiz Questions and Answers PDF free download eBook s sample covers beginner s solved questions textbook s study notes to practice online tests The book Electronic Circuit Design MCQs Chapter 1 11 PDF includes high school question papers to review practice tests for exams Electronic Circuit Design Multiple Choice Questions MCQ with Answers PDF digital edition eBook a study guide with textbook chapters tests for NEET Jobs Entry Level competitive exam Electronic Circuit Design Mock Tests Chapter 1 11 eBook covers problem solving exam tests from electronics engineering textbook and practical eBook chapter wise as Chapter 1 Amplifier Frequency Response MCQ Chapter 2 Bipolar Junction transistors MCQ Chapter 3 BJT Amplifiers MCQ Chapter 4 Diodes and Applications MCQ Chapter 5 FET Amplifiers MCQ Chapter 6 Field Effect Transistors MCQ Chapter 7 Introduction to Electronics MCQ Chapter 8 Power Amplifiers MCQ Chapter 9 Semiconductors Basics MCQ Chapter 10 Special Purpose Diodes MCQ Chapter 11 Transistor Bias Circuits MCQ The Amplifier Frequency Response MCQ PDF e Book Chapter 1 practice test to solve MCQ questions on Basic concepts decibel and low frequency amplifier response The Bipolar Junction Transistors MCQ PDF e Book Chapter 2 practice test to solve MCQ questions on Basic transistor operation transistor as switch transistor characteristics and parameters and transistor structure The BJT Amplifiers MCQ PDF e Book Chapter 3 practice test to solve MCQ questions on BJT amplifier operation common base amplifier common collector amplifier common emitter amplifier differential amplifier multistage amplifiers transistor AC equivalent circuits and transistor AC models The Diode Applications MCQ PDF e Book Chapter 4 practice test to solve MCQ questions on Diode limiters and clampers diode models diode operation diode limiting and clamping circuits integrated circuit voltage regulators power supply filters and capacitor filter atom current in semiconductors full wave and half wave rectifiers materials used in electronics peak inverse voltage PN junction power supply filters regulators transformer coupling voltage current characteristics and voltage multipliers The FET Amplifiers MCQ PDF e Book Chapter 5 practice test to solve MCQ questions on FET amplifiers applications common drain amplifiers common gate amplifiers and common source amplifiers The Field Effect Transistors MCQ PDF e Book Chapter 6 practice test to solve MCQ questions on IGBT JFET biasing JFET characteristics JFET transistor MOSFET biasing MOSFET characteristics and Ohmic region The Introduction to Electronics MCQ PDF e Book Chapter 7 practice test to solve MCQ questions on Atom current in semiconductors materials used in electronics n type and p type

semiconductors and PN junction The Power Amplifiers MCQ PDF e Book Chapter 8 practice test to solve MCQ questions on Class A B and C power amplifiers class amplifiers class B and AB push pull amplifiers The Semiconductors Basics MCQ PDF e Book Chapter 9 practice test to solve MCQ questions on n type and p type semiconductors conduction in semiconductors atomic structure biasing diode classification of matter on basis of semiconductor theory covalent bonds diode models testing diode and voltage current characteristics of diode The Special Purpose Diodes MCQ PDF e Book Chapter 10 practice test to solve MCQ questions on Optical diode types of diode varactor diode Zener diode and applications The Transistor Bias Circuits MCQ PDF e Book Chapter 11 practice test to solve MCQ questions on DC operating point bias methods and voltage divider bias

**Digital Electronics Demystified** Myke Predko, 2005-01-11 The field of teaching digital electronics has not changed significantly in the past 20 years Many of the same books that first became available in the late 1970s and early 1980s are still being used as basic texts In the 20 years since these were written the basic rules have not changed but they do not provide strong links to modern electronics including CMOS logic Programmable Logic Devices and microprocessor microcontroller interfacing Courses teaching introductory digital electronics will fill in the missing areas of information for students but neither the instructors nor students have resources to explain modern technology and interfaces One assumption made by all the standard texts is that experimenting with digital electronics cannot be done easily in the proposed book digital guru Myke Predko will show how readers can set up their own apparatus for experimenting with digital electronics for less than 10

Electrical Circuit Analysis MCQ (Multiple Choice Questions) Arshad Iqbal, The Electrical Circuit Analysis Multiple Choice Questions MCQ Quiz with Answers PDF Electrical Circuit Analysis MCQ PDF Download Quiz Questions Chapter 1 30 Practice Tests with Answer Key Electronics Questions Bank MCQs Notes includes revision guide for problem solving with hundreds of solved MCQs Electrical Circuit Analysis MCQ with Answers PDF book covers basic concepts analytical and practical assessment tests Electrical Circuit Analysis MCQ PDF book helps to practice test questions from exam prep notes The Electrical Circuit Analysis MCQs with Answers PDF eBook includes revision guide with verbal quantitative and analytical past papers solved MCQs Electrical Circuit Analysis Multiple Choice Questions and Answers MCQs PDF Free download chapter 1 a book covers solved quiz questions and answers on chapters Applications of Laplace transform ac power ac power analysis amplifier and operational amplifier circuits analysis method applications of Laplace transform basic concepts basic laws capacitors and inductors circuit concepts circuit laws circuit theorems filters and resonance first order circuits Fourier series Fourier transform frequency response higher order circuits and complex frequency introduction to electric circuits introduction to Laplace transform magnetically coupled circuits methods of analysis mutual inductance and transformers operational amplifiers polyphase circuits second order circuits sinusoidal steady state analysis sinusoids and phasors three phase circuits two port networks waveform and signals tests for college and university revision guide Electrical Circuit Analysis Quiz Questions and Answers PDF free download eBook s sample covers

beginner s solved questions textbook s study notes to practice online tests The book Electrical Circuit Analysis MCQs Chapter 1 30 PDF includes high school question papers to review practice tests for exams Electrical Circuit Analysis Multiple Choice Questions MCQ with Answers PDF digital edition eBook a study guide with textbook chapters tests for NEET Jobs Entry Level competitive exam Electrical Circuit Analysis Mock Tests Chapter 1 30 eBook covers problem solving exam tests from electronics engineering textbook and practical eBook chapter wise as Chapter 1 AC Power MCQ Chapter 2 AC Power Analysis MCQ Chapter 3 Amplifier and Operational Amplifier Circuits MCQ Chapter 4 Analysis Method MCQ Chapter 5 Applications of Laplace Transform MCQ Chapter 6 Basic Concepts MCQ Chapter 7 Basic laws MCQ Chapter 8 Capacitors and Inductors MCQ Chapter 9 Circuit Concepts MCQ Chapter 10 Circuit Laws MCQ Chapter 11 Circuit Theorems MCQ Chapter 12 Filters and Resonance MCQ Chapter 13 First Order Circuits MCQ Chapter 14 Fourier Series MCQ Chapter 15 Fourier Transform MCQ Chapter 16 Frequency Response MCQ Chapter 17 Higher Order Circuits and Complex Frequency MCQ Chapter 18 Introduction to Electric Circuits MCQ Chapter 19 Introduction to Laplace Transform MCQ Chapter 20 Magnetically Coupled Circuits MCQ Chapter 21 Methods of Analysis MCQ Chapter 22 Mutual Inductance and Transformers MCQ Chapter 23 Operational Amplifiers MCQ Chapter 24 Polyphase Circuits MCQ Chapter 25 Second Order Circuits MCQ Chapter 26 Sinusoidal Steady State Analysis MCQ Chapter 27 Sinusoids and Phasors MCQ Chapter 28 Three Phase circuits MCQ Chapter 29 Two Port Networks MCQ Chapter 30 Waveform and Signals MCQ The AC Power MCQ PDF e Book Chapter 1 practice test to solve MCQ questions on Apparent power and power factor applications average or real power complex power complex power apparent power and power triangle effective or RMS value exchange of energy between inductor and capacitor instantaneous and average power maximum power transfer power factor correction power factor improvement power in sinusoidal steady state power in time domain and reactive power The AC Power Analysis MCQ PDF e Book Chapter 2 practice test to solve MCQ questions on Apparent power and power factor applications complex power effective or RMS value instantaneous and average power and power factor correction The Amplifier and Operational Amplifier Circuits MCQ PDF e Book Chapter 3 practice test to solve MCQ questions on Amplifiers introduction analog computers comparators differential and difference amplifier integrator and differentiator circuits inverting circuits low pass filters non inverting circuits operational amplifiers summing circuits and voltage follower The Analysis Method MCQ PDF e Book Chapter 4 practice test to solve MCQ questions on Branch current method maximum power transfer theorem mesh current method Millman s theorem node voltage method Norton s theorem superposition theorem and Thevenin s theorem The Applications of Laplace Transform MCQ PDF e Book Chapter 5 practice test to solve MCQ questions on Circuit analysis introduction network stability network synthesis and state variables The Basic Concepts MCQ PDF e Book Chapter 6 practice test to solve MCQ questions on Applications charge and current circuit elements power and energy system of units and voltage The Basic Laws MCQ PDF e Book Chapter 7 practice test to solve MCQ questions on Applications Kirchhoff s laws nodes branches and

loops Ohm's law series resistors and voltage division The Capacitors and Inductors MCQ PDF e Book Chapter 8 practice test to solve MCQ questions on capacitors differentiator inductors integrator and resistivity The Circuit Concepts MCQ PDF e Book Chapter 9 practice test to solve MCQ questions on Capacitance inductance non linear resistors passive and active elements resistance sign conventions and voltage current relations The Circuit Laws MCQ PDF e Book Chapter 10 practice test to solve MCQ questions on Introduction to circuit laws Kirchhoff's current law and Kirchhoff's voltage law The Circuit Theorems MCQ PDF e Book Chapter 11 practice test to solve MCQ questions on Kirchhoff's law linearity property maximum power transfer Norton's theorem resistance measurement source transformation superposition and thevenin's theorem The Filters and Resonance MCQ PDF e Book Chapter 12 practice test to solve MCQ questions on Band pass filter and resonance frequency response half power frequencies high pass and low pass networks ideal and practical filters natural frequency and damping ratio passive and active filters The First Order Circuits MCQ PDF e Book Chapter 13 practice test to solve MCQ questions on Applications capacitor discharge in a resistor establishing a DC voltage across a capacitor introduction singularity functions source free RL circuit source free RC circuit source free RL circuit step and impulse responses in RC circuits step response of an RC circuit step response of an RL circuit transient analysis with PSPICE and transitions at switching time The Fourier Series MCQ PDF e Book Chapter 14 practice test to solve MCQ questions on Applications average power and RMS values symmetry considerations and trigonometric Fourier series The Fourier transform MCQ PDF e Book Chapter 15 practice test to solve MCQ questions on applications The Frequency Response MCQ PDF e Book Chapter 16 practice test to solve MCQ questions on Active filters applications bode plots decibel scale introduction passive filters scaling series resonance and transfer function The Higher Order Circuits and Complex Frequency MCQ PDF e Book Chapter 17 practice test to solve MCQ questions on Complex frequency generalized impedance in s domain parallel RLC circuit and series RLC circuit The Introduction to Electric Circuits MCQ PDF e Book Chapter 18 practice test to solve MCQ questions on Constant and variable function electric charge and current electric potential electric quantities and SI units energy and electrical power force work and power The Introduction to Laplace Transform MCQ PDF e Book Chapter 19 practice test to solve MCQ questions on Convolution integral The Magnetically Coupled Circuits MCQ PDF e Book Chapter 20 practice test to solve MCQ questions on Energy in coupled circuit ideal autotransformers ideal transformers linear transformers and mutual inductance The Methods of Analysis MCQ PDF e Book Chapter 21 practice test to solve MCQ questions on Applications circuit analysis with PSPICE mesh analysis mesh analysis with current sources nodal analysis nodal and mesh analysis by inception The Mutual Inductance and Transformers MCQ PDF e Book Chapter 22 practice test to solve MCQ questions on Analysis of coupling coil auto transformer conductivity coupled equivalent circuits coupling coefficient dot rule energy in a pair of coupled coils ideal transformer linear transformer and mutual inductance The Operational Amplifiers MCQ PDF e Book Chapter 23 practice test to solve MCQ questions on Cascaded op amp circuits difference amplifier ideal op

amp instrumentation amplifier introduction inverting amplifier noninverting amplifier operational amplifiers and summing amplifier The Polyphaser Circuits MCQ PDF e Book Chapter 24 practice test to solve MCQ questions on Balanced delta connected load balanced wye connected load equivalent y and delta connections phasor voltages the two wattmeter method three phase power three phase systems two phase systems unbalanced delta connected load unbalanced y connected load wye and delta systems The Second Order Circuits MCQ PDF e Book Chapter 25 practice test to solve MCQ questions on Second order op amp circuits applications duality introduction and source free series RLC circuit The Sinusoidal Steady State Analysis MCQ PDF e Book Chapter 26 practice test to solve MCQ questions on Element responses impedance and admittance mesh analysis nodal analysis op amp ac circuits oscillators phasors voltage and current division in frequency domain The Sinusoids and Phasors MCQ PDF e Book Chapter 27 practice test to solve MCQ questions on Applications impedance and admittance impedance combinations introduction phasor relationships for circuit elements phasors and sinusoids The Three Phase Circuits MCQ PDF e Book Chapter 28 practice test to solve MCQ questions on Applications balanced delta delta connection balanced three phase voltages balanced wye delta connection balanced wye wye connection power in balanced system and unbalanced three phase system The Two Port Networks MCQ PDF e Book Chapter 29 practice test to solve MCQ questions on Admittance parameters g parameters h parameters hybrid parameters impedance parameters interconnection of networks interconnection of two port networks introduction pi equivalent t parameters terminals and ports transmission parameters two port network y parameters and z parameters The Waveform and Signals MCQ PDF e Book Chapter 30 practice test to solve MCQ questions on Average and effective RMS values combination of periodic functions exponential function non periodic functions periodic functions random signals sinusoidal functions time shift and phase shift trigonometric identities unit impulse function and unit step function

**Digital Electronics Questions and Answers PDF**  
Arshad Iqbal, The Digital Electronics Quiz Questions and Answers PDF Digital Electronics Competitive Exam Questions Chapter 1 25 Practice Tests Class 8 12 Electronics Textbook Questions for Beginners includes revision guide for problem solving with hundreds of solved questions Digital Electronics Questions and Answers PDF book covers basic concepts analytical and practical assessment tests Digital Electronics Quiz PDF book helps to practice test questions from exam prep notes The Digital Electronics Quiz Questions and Answers PDF eBook includes revision guide with verbal quantitative and analytical past papers solved tests Digital Electronics Questions and Answers PDF Free download chapter 1 a book covers solved common questions and answers on chapters Analog to digital converters BICMOS digital circuits bipolar junction transistors BJT advanced technology dynamic switching BJT digital circuits CMOS inverters CMOS logic gates circuits digital logic gates dynamic logic circuits Emitter Coupled Logic ECL encoders and decoders gallium arsenide digital circuits introduction to digital electronics latches and flip flops MOS digital circuits multi vibrators circuits number systems pass transistor logic circuits pseudo NMOS logic circuits random access memory cells read only memory ROM semiconductor

memories sense amplifiers and address decoders spice simulator Transistor Transistor Logic TTL tests for college and university revision guide Electronics Interview Questions and Answers PDF Download free eBook s sample covers beginner s solved questions textbook s study notes to practice online tests The Digital Electronics Interview Questions Chapter 1 25 PDF book includes high school question papers to review practice tests for exams Digital Electronics Practice Tests a textbook s revision guide with chapters tests for NEET Jobs Entry Level competitive exam Digital Electronics Questions Bank Chapter 1 25 PDF book covers problem solving exam tests from electronics engineering textbook and practical eBook chapter wise as Chapter 1 Analog to Digital Converters Questions Chapter 2 BICMOS Digital Circuits Questions Chapter 3 Bipolar Junction Transistors Questions Chapter 4 BJT Advanced Technology Dynamic Switching Questions Chapter 5 BJT Digital Circuits Questions Chapter 6 CMOS Inverters Questions Chapter 7 CMOS Logic Gates Circuits Questions Chapter 8 Digital Logic Gates Questions Chapter 9 Dynamic Logic Circuits Questions Chapter 10 Emitter Coupled Logic ECL Questions Chapter 11 Encoders and Decoders Questions Chapter 12 Gallium Arsenide Digital Circuits Questions Chapter 13 Introduction to Digital Electronics Questions Chapter 14 Latches and Flip Flops Questions Chapter 15 MOS Digital Circuits Questions Chapter 16 Multivibrators Circuits Questions Chapter 17 Number Systems Questions Chapter 18 Pass Transistor Logic Circuits Questions Chapter 19 Pseudo NMOS Logic Circuits Questions Chapter 20 Random Access Memory Cells Questions Chapter 21 Read Only Memory ROM Questions Chapter 22 Semiconductor Memories Questions Chapter 23 Sense Amplifiers and Address Decoders Questions Chapter 24 SPICE Simulator Questions Chapter 25 Transistor Transistor Logic TTL Questions The Analog to Digital Converters Quiz Questions PDF e Book Chapter 1 interview questions and answers on Digital to analog converter and seven segment display The BICMOS Digital Circuits Quiz Questions PDF e Book Chapter 2 interview questions and answers on Introduction to BICMOS BICMOS inverter and dynamic operation The Bipolar Junction Transistors Quiz Questions PDF e Book Chapter 3 interview questions and answers on Basic transistor operation collector characteristic curves current and voltage analysis DC load line derating PD maximum maximum transistor rating transistor as amplifier transistor characteristics and parameters transistor regions transistor structure transistors and switches The BJT Advanced Technology Dynamic Switching Quiz Questions PDF e Book Chapter 4 interview questions and answers on Saturating and non saturating logic and transistor switching times The BJT Digital Circuits Quiz Questions PDF e Book Chapter 5 interview questions and answers on BJT inverters Diode Transistor Logic DTL Resistor Transistor Logic RTL and RTL SR flip flop The CMOS Inverters Quiz Questions PDF e Book Chapter 6 interview questions and answers on Circuit structure CMOS dynamic operation CMOS dynamic power dissipation CMOS noise margin and CMOS static operation The CMOS Logic Gates Circuits Quiz Questions PDF e Book Chapter 7 interview questions and answers on Basic CMOS gate structure basic CMOS gate structure representation CMOS exclusive OR gate CMOS NAND gate CMOS NOR gate complex gate PUN PDN from PDN PUN and transistor sizing The Digital Logic Gates Quiz Questions PDF e Book Chapter 8 interview questions and answers on

NAND NOR and NXOR gates applications of gate building gates from gates electronics and gate electronics OR gate gate basics gates with more than two inputs masking in logic gates negation OR and XOR gates The Dynamic Logic Circuits Quiz Questions PDF e Book Chapter 9 interview questions and answers on Cascading dynamic logic gates domino CMOS logic dynamic logic circuit leakage effects dynamic logic circuits basic principle dynamic logic circuits charge sharing and dynamic logic circuits noise margins The Emitter Coupled Logic ECL Quiz Questions PDF e Book Chapter 10 interview questions and answers on Basic gate circuit ECL basic principle ECL families ECL manufacturer specification electronics and speed electronics power dissipation fan out signal transmission thermal effect and wired capability The Encoders and Decoders Quiz Questions PDF e Book Chapter 11 interview questions and answers on Counter decoder applications decoder basics decoding and encoding encoder applications encoder basics The Gallium Arsenide Digital Circuits Quiz Questions PDF e Book Chapter 12 interview questions and answers on Buffered FET logic DCFL disadvantages GAAS DCFL basics gallium arsenide basics logic gates using MESFETs MESFETs basics MESFETs functional architecture RTL vs DCFL and Schottky diode FET logic The Introduction to Digital Electronics Quiz Questions PDF e Book Chapter 13 interview questions and answers on Combinational and sequential logic circuits construction digital and analog signal digital circuits history digital electronics basics digital electronics concepts digital electronics design digital electronics fundamentals electronic gates FIFO and LIFO history of digital electronics properties register transfer systems RS 232 RS 233 serial communication introduction structure of digital system synchronous and asynchronous sequential systems The Latches and Flip Flops Quiz Questions PDF e Book Chapter 14 interview questions and answers on CMOS implementation of SR flip flops combinational and sequential circuits combinational and sequential logic circuits d flip flop circuits d flip flops digital electronics interview questions digital electronics solved questions JK flip flops latches shift registers and SR flip flop The MOS Digital Circuits Quiz Questions PDF e Book Chapter 15 interview questions and answers on BICMOS inverter CMOS vs BJT digital circuits history dynamic operation introduction to BICMOS MOS fan in fan out MOS logic circuit characterization MOS power delay product MOS power dissipation MOS propagation delay and types of logic families The Multi Vibrators Circuits Quiz Questions PDF e Book Chapter 16 interview questions and answers on Astable circuit bistable circuit CMOS monostable circuit and monostable circuit The Number Systems Quiz Questions PDF e Book Chapter 17 interview questions and answers on Introduction to number systems octal number system hexadecimal number system Binary Coded Decimal BCD binary number system decimal number system and EBCDIC The Pass Transistor Logic Circuits Quiz Questions PDF e Book Chapter 18 interview questions and answers on complementary PTL PTL basic principle PTL design requirement PTL introduction and PTL NMOS transistors as switches The Pseudo NMOS Logic Circuits Quiz Questions PDF e Book Chapter 19 interview questions and answers on Pseudo NMOS advantages pseudo NMOS applications pseudo NMOS dynamic operation pseudo NMOS gate circuits pseudo NMOS inverter pseudo NMOS inverter VTC static characteristics The Random Access Memory

Cells Quiz Questions PDF e Book Chapter 20 interview questions and answers on Dynamic memory cell dynamic memory cell amplifier random access memory cell types and static memory cell The Read Only Memory ROM Quiz Questions PDF e Book Chapter 21 interview questions and answers on EEPROM basics EEPROM history EEPROM introduction EEPROM ports EEPROM specializations EEPROM technology extrapolation ferroelectric ram FGMOS basics FGMOS functionality flash memory floating gate transistor mask programmable ROMS mask programmable ROMS fabrication MOS ROM MRAM programmable read only memory programmable ROMS rom introduction volatile and non volatile memory The Semiconductor Memories Quiz Questions PDF e Book Chapter 22 interview questions and answers on Memory chip organization memory chip timing and types of memory The Sense Amplifiers and Address Decoders Quiz Questions PDF e Book Chapter 23 interview questions and answers on Column address decoder differential operation in dynamic rams operation of sense amplifier row address decoder sense amplifier component and sense amplifier with positive feedback The SPICE Simulator Quiz Questions PDF e Book Chapter 24 interview questions and answers on Spice AC analysis spice DC analysis spice DC transfer curve analysis spice features spice introduction spice noise analysis spice transfer function analysis and spice versions The Transistor Transistor Logic TTL Quiz Questions PDF e Book Chapter 25 interview questions and answers on Characteristics of standard TTL complete circuit of TTL gate DTL slow response evolution of TTL inputs and outputs of TTL gate low power Schottky TTL multi emitter transistors noise margin of TTL Schottky TTL Schottky TTL performance characteristics TTL power dissipation and wired logic connections

*Class 7 Science MCQ (Multiple Choice Questions)* Arshad Iqbal, The Class 7 Science Multiple Choice Questions MCQ Quiz with Answers PDF 7th Grade Science MCQ PDF Download Quiz Questions Chapter 1 24 Practice Tests with Answer Key Science Questions Bank MCQs Notes includes revision guide for problem solving with hundreds of solved MCQs Class 7 Science MCQ with Answers PDF book covers basic concepts analytical and practical assessment tests Class 7 Science MCQ PDF book helps to practice test questions from exam prep notes The Class 7 Science MCQs with Answers PDF eBook includes revision guide with verbal quantitative and analytical past papers solved MCQs Class 7 Science Multiple Choice Questions and Answers MCQs PDF Free download chapter 1 a book covers solved quiz questions and answers on chapters Atoms and atom model atoms molecules and ions digestive system dispersion of light electric circuits electrical circuits and electric currents elements and compounds energy resources science feeding relationships and environment forces effects heat transfer human transport system importance of water investigating space mixtures particle model of matter physical and chemical changes reproduction in plants respiration and food energy simple chemical reactions solar system solutions sound waves transportation in plants workbook for middle school exam s papers Class 7 Science Quiz Questions and Answers PDF free download eBook s sample covers beginner s solved questions textbook s study notes to practice online tests The book Grade 7 Science MCQs Chapter 1 24 PDF includes middle school question papers to review practice tests for exams Class 7 Science

Multiple Choice Questions MCQ with Answers PDF digital edition eBook a study guide with textbook chapters tests for NEET Jobs Entry Level competitive exam 7th Grade Science Mock Tests Chapter 1 24 eBook covers problems solving in self assessment workbook from science textbook and practical eBook chapter wise as Chapter 1 Atoms and Atom Model MCQ Chapter 2 Atoms Molecules and Ions MCQ Chapter 3 Digestive System MCQ Chapter 4 Dispersion of Light MCQ Chapter 5 Electric Circuits MCQ Chapter 6 Electrical Circuits and Electric Currents MCQ Chapter 7 Elements and Compounds MCQ Chapter 8 Energy Resources Science MCQ Chapter 9 Feeding Relationships and Environment MCQ Chapter 10 Forces Effects MCQ Chapter 11 Heat Transfer MCQ Chapter 12 Human Transport System MCQ Chapter 13 Importance of Water MCQ Chapter 14 Investigating Space MCQ Chapter 15 Mixtures MCQ Chapter 16 Particle Model of Matter MCQ Chapter 17 Physical and Chemical Changes MCQ Chapter 18 Reproduction in Plants MCQ Chapter 19 Respiration and Food Energy MCQ Chapter 20 Simple Chemical Reactions MCQ Chapter 21 Solar System MCQ Chapter 22 Solutions MCQ Chapter 23 Sound Waves MCQ Chapter 24 Transportation in Plants MCQ The Atoms and Atom Model MCQ PDF e Book Chapter 1 practice test to solve MCQ questions on Atom structure atoms and discovery atoms and elements chemical formulas common ions covalent bonds electron levels electrons and shells inside an atom ionic bonds ions and bonding mass number and isotopes methane photosynthesis process science and radioisotopes uses of radioisotopes valencies and valency table The Atoms Molecules and Ions MCQ PDF e Book Chapter 2 practice test to solve MCQ questions on Chemical formulae of molecular element and compound what is atom what is ion and what is molecule The Digestive System MCQ PDF e Book Chapter 3 practice test to solve MCQ questions on Digestion and absorption digestion and digestive system digestive process digestive system disorders digestive system problems large molecules and small molecules The Dispersion of Light MCQ PDF e Book Chapter 4 practice test to solve MCQ questions on Color subtraction colors on screen colors vision concave lens convex lens introduction to light light and filters light and lenses light and straight lines mirages mixing colored lights primary colored lights prisms and refraction refraction of light refractive index and total internal reflection The Electric Circuits MCQ PDF e Book Chapter 5 practice test to solve MCQ questions on Electric current and units electrical circuits electrical resistance electrical safety and source of electrical energy The Electrical Circuits and Electric Currents MCQ PDF e Book Chapter 6 practice test to solve MCQ questions on Chemical effect of electric current circuit diagrams conductors and insulators current and energy earth wires electric motors electric resistance electrical circuits and currents electrical safety electrical voltage electricity billing electrolysis electrolytes fuses and circuit breakers heat and light resistance magnetic effect and electric current resistors series and parallel circuits simple circuits and uses of electromagnets The Elements and Compounds MCQ PDF e Book Chapter 7 practice test to solve MCQ questions on Compound formation elements classification properties of compound uses of elements what is compound and what is element The Energy Resources Science MCQ PDF e Book Chapter 8 practice test to solve MCQ questions on Fossil fuels fuels and energy how do living things use energy and

renewable energy resources The Feeding Relationships and Environment MCQ PDF e Book Chapter 9 practice test to solve MCQ questions on Adaptations to habitats changing habitats dependence of living things energy transfers feeding relationships and environment food chains and food webs The Forces Effects MCQ PDF e Book Chapter 10 practice test to solve MCQ questions on Force measurement frictional force gravitational force and weight upthrust and density and what is force The Heat Transfer MCQ PDF e Book Chapter 11 practice test to solve MCQ questions on Applications of heat convection current and weather heat and temperature heat transfer and convection radiation and greenhouse effect radiation and heat transfer saving heat and thermography The Human Transport System MCQ PDF e Book Chapter 12 practice test to solve MCQ questions on Arteries veins and capillaries blood circulation heart function human heart human pulse and pulse rate transport system diseases what are red blood cells what are white blood cells and what is blood The Importance of Water MCQ PDF e Book Chapter 13 practice test to solve MCQ questions on Animals plants and water crops and irrigation distillation fresh water geography water supply safe and drinking water saving water sewage system water and life water everywhere and water treatment The Investigating Space MCQ PDF e Book Chapter 14 practice test to solve MCQ questions on Birth of sun constellation earth and universe end of star light equator and science galaxies how universe begin investigating space milky way galaxy radio telescopes solar system sun space stars sun facts for kids and telescopes The Mixtures MCQ PDF e Book Chapter 15 practice test to solve MCQ questions on Element compound and mixture separating mixtures and what is mixture The Particle Model of Matter MCQ PDF e Book Chapter 16 practice test to solve MCQ questions on Matter particle model particle models for solids liquids and gases physical states and changes The Physical and Chemical Changes MCQ PDF e Book Chapter 17 practice test to solve MCQ questions on Ammonia and fertilizers burning fuels chemical changes endothermic reactions iron and Sulphur magnesium and oxygen making ammonia making plastics methane photosynthesis process physical changes polyethene polythene polyvinyl chloride reversible reaction solids liquids and gases The Reproduction in Plants MCQ PDF e Book Chapter 18 practice test to solve MCQ questions on Asexual reproduction fertilization parts of flower plant sexual reproduction pollens and pollination pollination by birds pollination chart reproduction in plants seed germination seeds and seed dispersal The Respiration and Food Energy MCQ PDF e Book Chapter 19 practice test to solve MCQ questions on Air moist warm and clean how we breathe human respiration respiratory diseases and respiratory system diseases The Simple Chemical Reactions MCQ PDF e Book Chapter 20 practice test to solve MCQ questions on Physical and chemical change The Solar System MCQ PDF e Book Chapter 21 practice test to solve MCQ questions on Artificial satellites and science eclipse equator and science seasons on earth solar system facts sun earth and moon universe and solar system The Solutions MCQ PDF e Book Chapter 22 practice test to solve MCQ questions on Acids and alkalis solubility solutes solvents and solution The Sound Waves MCQ PDF e Book Chapter 23 practice test to solve MCQ questions on All around sounds frequency and pitch musical instruments musics and musical sound sound absorption sound

and vacuum sound waves and echoes sound waves and noise speed of sound ultrasound vibrations and sound waves volume and amplitude and waves of energy The Transportation in Plants MCQ PDF e Book Chapter 24 practice test to solve MCQ questions on Mineral salts and roots phloem and xylem importance photosynthesis process plant transpiration structure of plant root structure of plant stem transport of food transport of gases water and plants *Gcse Physics Study Guide* Carol Tear,2007-09 This ultimate study guide with in depth GCSE course coverage is all you need for exam success Revise GCSE Physics has everything you need to achieve the GCSE grade you want It is written by GCSE examiners to boost learning and focus revision **Oswaal Government Exams Question Bank Graduation Pass | Quantitative Aptitude | General English | Logical Reasoning | General Awareness | Set of 4 Books | For 2024 Exam** Oswaal Editorial Board,2024-03-30 Description of the product 100% Updated with Topic wise Practice Questions Explanations Fill Learning Gaps with Revision Notes Supported Videos Concept Recap with Smart Mind Maps Chapter Analysis Smart Short cuts with short cuts and detailed explanations Valuable Exam Insights with Tips and Tricks to ace Government Exams in the first attempt **UGC NET Paper 2 Electronics Science Chapterwise Question Bank | Solved Questions with Detailed Explanations | Based on Updated Exam Pattern** Nodia,2026-03-09 Prepare effectively for the UGC NET Electronics Science examination with this comprehensive Chapterwise MCQ Bank designed to help aspirants strengthen their conceptual understanding and improve exam performance The book includes a wide range of carefully selected multiple choice questions organized chapter wise allowing students to practice each topic systematically Every question is accompanied by clear and detailed explanations enabling readers to understand the reasoning behind the correct answers and build a strong foundation in electronics concepts This book strictly follows the latest UGC NET syllabus and updated exam pattern making it a reliable and practical preparation guide The MCQs are designed to match the actual difficulty level and structure of the UGC NET exam helping candidates become familiar with the types of questions asked in the examination With additional important and predicted questions for upcoming exams this book serves as a valuable resource for revision practice and self assessment for all serious UGC NET Electronics Science aspirants [Electronic Circuits Design Questions and Answers PDF](#) Arshad Iqbal, The Electronic Circuits Design Quiz Questions and Answers PDF Circuits Design Competitive Exam Questions Chapter 1 11 Practice Tests Class 8 12 Electronics Textbook Questions for Beginners includes revision guide for problem solving with hundreds of solved questions Electronic Circuits Design Questions and Answers PDF book covers basic concepts analytical and practical assessment tests Electronic Circuits Design Quiz PDF book helps to practice test questions from exam prep notes The Electronic Circuits Design Quiz Questions and Answers PDF e Book includes revision guide with verbal quantitative and analytical past papers solved tests Electronic Circuits Design Questions and Answers PDF Free download chapter 1 a book covers solved common questions and answers on chapters Amplifier frequency response bipolar junction transistors BJT amplifiers diode applications field effect transistors FET amplifiers introduction to electronics power

amplifiers semiconductors basics special purpose diodes transistor bias circuits tests for college and university revision guide Electronics Interview Questions and Answers PDF Download free eBook s sample covers beginner s solved questions textbook s study notes to practice online tests The Electronic Circuits Design Interview Questions Chapter 1 11 PDF book includes high school question papers to review practice tests for exams Electronic Circuits Design Practice Tests a textbook s revision guide with chapters tests for NEET Jobs Entry Level competitive exam Electronic Circuits Design Questions Bank Chapter 1 11 PDF book covers problem solving exam tests from electronics engineering textbook and practical eBook chapter wise as Chapter 1 Amplifier Frequency Response Questions Chapter 2 Bipolar Junction transistors Questions Chapter 3 BJT Amplifiers Questions Chapter 4 Diodes and Applications Questions Chapter 5 FET Amplifiers Questions Chapter 6 Field Effect Transistors Questions Chapter 7 Introduction to Electronics Questions Chapter 8 Power Amplifiers Questions Chapter 9 Semiconductors Basics Questions Chapter 10 Special Purpose Diodes Questions Chapter 11 Transistor Bias Circuits Questions The Amplifier Frequency Response Quiz Questions PDF e Book Chapter 1 interview questions and answers on Basic concepts decibel and low frequency amplifier response The Bipolar Junction Transistors Quiz Questions PDF e Book Chapter 2 interview questions and answers on Basic transistor operation transistor as switch transistor characteristics and parameters and transistor structure The BJT Amplifiers Quiz Questions PDF e Book Chapter 3 interview questions and answers on BJT amplifier operation common base amplifier common collector amplifier common emitter amplifier differential amplifier multistage amplifiers transistor AC equivalent circuits and transistor AC models The Diode Applications Quiz Questions PDF e Book Chapter 4 interview questions and answers on Diode limiters and clippers diode models diode operation diode limiting and clamping circuits integrated circuit voltage regulators power supply filters and capacitor filter atom current in semiconductors full wave and half wave rectifiers materials used in electronics peak inverse voltage PN junction power supply filters regulators transformer coupling voltage current characteristics and voltage multipliers The FET Amplifiers Quiz Questions PDF e Book Chapter 5 interview questions and answers on FET amplifiers applications common drain amplifiers common gate amplifiers and common source amplifiers The Field Effect Transistors Quiz Questions PDF e Book Chapter 6 interview questions and answers on IGBT JFET biasing JFET characteristics JFET transistor MOSFET biasing MOSFET characteristics and Ohmic region The Introduction to Electronics Quiz Questions PDF e Book Chapter 7 interview questions and answers on Atom current in semiconductors materials used in electronics n type and p type semiconductors and PN junction The Power Amplifiers Quiz Questions PDF e Book Chapter 8 interview questions and answers on Class A B and C power amplifiers class amplifiers class B and AB push pull amplifiers The Semiconductors Basics Quiz Questions PDF e Book Chapter 9 interview questions and answers on n type and p type semiconductors conduction in semiconductors atomic structure biasing diode classification of matter on basis of semiconductor theory covalent bonds diode models testing diode and voltage current characteristics of diode The Special Purpose Diodes Quiz Questions PDF e Book Chapter 10 interview

questions and answers on Optical diode types of diode varactor diode Zener diode and applications The Transistor Bias Circuits Quiz Questions PDF e Book Chapter 11 interview questions and answers on DC operating point bias methods and voltage divider bias     **Radio-electronics** ,1984     **Electronics** ,1978 June issues 1941 44 and Nov issue 1945 include a buyers guide section     *Using Microprocessors and Microcomputers* Joseph D. Greenfield,William C. Wray,1981 Introduction to microcomputers Binary numbers and logic operations The basic computer Elementary programming Accumulator and memory referencing instructions Branch and jump instructions Assembly language for the 6800 The hardware configuration system of the 6800 Input output Interrupts and direct memory accesses Monitor systems Other microprocessors Interfacing techniques CRT display terminal application Positive and negative powers of 2 The 6800 instruction set Table of cycle by cycle operation for each instruction Program for a CRT terminal ASCII conversion chart 6809 instruction set     **Digital Electronics** Robert D. Thompson,2001 Approaching the task of learning digital electronics operation from a developmental approach rather than relying on antiquated rote memorization this user friendly guide emphasizes the use of developmental techniques to derive the knowledge necessary to understand operational and design concepts Employs many innovative ideas to simplify understanding of digital concepts enlightening readers with wisdom gained from over thirty years of author s electronics experience in government academia and industry Takes a developmental approach to show how logic gates operate promoting a step by step assimilation of information needed to understand AND OR NAND and NOT gate operations and enabling readers to complete truth tables and draw a gate s output with ease Uses a logical approach in its analysis of Boolean and DeMorgan s theorems and includes methods on how to read a Boolean expression and develop alternate logic gate symbols     **Control Engineering** ,1960 Instrumentation and automatic control systems     *Popular Electronics* ,1977     *Australian Computer Journal* ,1987     **Choice** ,1980     **73 Amateur Radio** ,1976-07     **Electronics Now** ,1998

## Embracing the Track of Expression: An Psychological Symphony within **Digital Electronic Circuits Exam Questions And Answers**

In some sort of taken by screens and the ceaseless chatter of instantaneous connection, the melodic beauty and mental symphony created by the published word usually disappear in to the back ground, eclipsed by the persistent noise and disruptions that permeate our lives. But, located within the pages of **Digital Electronic Circuits Exam Questions And Answers** a marvelous fictional treasure overflowing with natural emotions, lies an immersive symphony waiting to be embraced. Constructed by an elegant musician of language, this charming masterpiece conducts viewers on a psychological journey, skillfully unraveling the hidden melodies and profound influence resonating within each carefully constructed phrase. Within the depths of this moving evaluation, we shall examine the book is main harmonies, analyze its enthralling writing type, and surrender ourselves to the profound resonance that echoes in the depths of readers souls.

[https://py.bijouxmedusa.com/book/virtual-library/index.jsp/30\\_96\\_Mobile\\_App\\_Ideas\\_Comparison\\_For\\_Startups\\_30\\_1118\\_Mobile\\_App\\_Ideas.pdf](https://py.bijouxmedusa.com/book/virtual-library/index.jsp/30_96_Mobile_App_Ideas_Comparison_For_Startups_30_1118_Mobile_App_Ideas.pdf)

### **Table of Contents Digital Electronic Circuits Exam Questions And Answers**

1. Understanding the eBook Digital Electronic Circuits Exam Questions And Answers
  - The Rise of Digital Reading Digital Electronic Circuits Exam Questions And Answers
  - Advantages of eBooks Over Traditional Books
2. Identifying Digital Electronic Circuits Exam Questions And Answers
  - Exploring Different Genres
  - Considering Fiction vs. Non-Fiction
  - Determining Your Reading Goals
3. Choosing the Right eBook Platform
  - Popular eBook Platforms
  - Features to Look for in an Digital Electronic Circuits Exam Questions And Answers
  - User-Friendly Interface

4. Exploring eBook Recommendations from Digital Electronic Circuits Exam Questions And Answers
  - Personalized Recommendations
  - Digital Electronic Circuits Exam Questions And Answers User Reviews and Ratings
  - Digital Electronic Circuits Exam Questions And Answers and Bestseller Lists
5. Accessing Digital Electronic Circuits Exam Questions And Answers Free and Paid eBooks
  - Digital Electronic Circuits Exam Questions And Answers Public Domain eBooks
  - Digital Electronic Circuits Exam Questions And Answers eBook Subscription Services
  - Digital Electronic Circuits Exam Questions And Answers Budget-Friendly Options
6. Navigating Digital Electronic Circuits Exam Questions And Answers eBook Formats
  - ePub, PDF, MOBI, and More
  - Digital Electronic Circuits Exam Questions And Answers Compatibility with Devices
  - Digital Electronic Circuits Exam Questions And Answers Enhanced eBook Features
7. Enhancing Your Reading Experience
  - Adjustable Fonts and Text Sizes of Digital Electronic Circuits Exam Questions And Answers
  - Highlighting and Note-Taking Digital Electronic Circuits Exam Questions And Answers
  - Interactive Elements Digital Electronic Circuits Exam Questions And Answers
8. Staying Engaged with Digital Electronic Circuits Exam Questions And Answers
  - Joining Online Reading Communities
  - Participating in Virtual Book Clubs
  - Following Authors and Publishers Digital Electronic Circuits Exam Questions And Answers
9. Balancing eBooks and Physical Books Digital Electronic Circuits Exam Questions And Answers
  - Benefits of a Digital Library
  - Creating a Diverse Reading Collection Digital Electronic Circuits Exam Questions And Answers
10. Overcoming Reading Challenges
  - Dealing with Digital Eye Strain
  - Minimizing Distractions
  - Managing Screen Time
11. Cultivating a Reading Routine Digital Electronic Circuits Exam Questions And Answers
  - Setting Reading Goals Digital Electronic Circuits Exam Questions And Answers
  - Carving Out Dedicated Reading Time

12. Sourcing Reliable Information of Digital Electronic Circuits Exam Questions And Answers
  - Fact-Checking eBook Content of Digital Electronic Circuits Exam Questions And Answers
  - Distinguishing Credible Sources
13. Promoting Lifelong Learning
  - Utilizing eBooks for Skill Development
  - Exploring Educational eBooks
14. Embracing eBook Trends
  - Integration of Multimedia Elements
  - Interactive and Gamified eBooks

### **Digital Electronic Circuits Exam Questions And Answers Introduction**

Digital Electronic Circuits Exam Questions And Answers Offers over 60,000 free eBooks, including many classics that are in the public domain. Open Library: Provides access to over 1 million free eBooks, including classic literature and contemporary works. Digital Electronic Circuits Exam Questions And Answers Offers a vast collection of books, some of which are available for free as PDF downloads, particularly older books in the public domain. Digital Electronic Circuits Exam Questions And Answers : This website hosts a vast collection of scientific articles, books, and textbooks. While it operates in a legal gray area due to copyright issues, its a popular resource for finding various publications. Internet Archive for Digital Electronic Circuits Exam Questions And Answers : Has an extensive collection of digital content, including books, articles, videos, and more. It has a massive library of free downloadable books. Free-eBooks Digital Electronic Circuits Exam Questions And Answers Offers a diverse range of free eBooks across various genres. Digital Electronic Circuits Exam Questions And Answers Focuses mainly on educational books, textbooks, and business books. It offers free PDF downloads for educational purposes. Digital Electronic Circuits Exam Questions And Answers Provides a large selection of free eBooks in different genres, which are available for download in various formats, including PDF. Finding specific Digital Electronic Circuits Exam Questions And Answers, especially related to Digital Electronic Circuits Exam Questions And Answers, might be challenging as theyre often artistic creations rather than practical blueprints. However, you can explore the following steps to search for or create your own Online Searches: Look for websites, forums, or blogs dedicated to Digital Electronic Circuits Exam Questions And Answers, Sometimes enthusiasts share their designs or concepts in PDF format. Books and Magazines Some Digital Electronic Circuits Exam Questions And Answers books or magazines might include. Look for these in online stores or libraries. Remember that while Digital Electronic Circuits Exam Questions And Answers, sharing copyrighted material without permission is not legal. Always ensure youre either creating your own or obtaining them from legitimate sources that

allow sharing and downloading. Library Check if your local library offers eBook lending services. Many libraries have digital catalogs where you can borrow Digital Electronic Circuits Exam Questions And Answers eBooks for free, including popular titles. Online Retailers: Websites like Amazon, Google Books, or Apple Books often sell eBooks. Sometimes, authors or publishers offer promotions or free periods for certain books. Authors Website Occasionally, authors provide excerpts or short stories for free on their websites. While this might not be the Digital Electronic Circuits Exam Questions And Answers full book, it can give you a taste of the authors writing style. Subscription Services Platforms like Kindle Unlimited or Scribd offer subscription-based access to a wide range of Digital Electronic Circuits Exam Questions And Answers eBooks, including some popular titles.

### **FAQs About Digital Electronic Circuits Exam Questions And Answers Books**

How do I know which eBook platform is the best for me? Finding the best eBook platform depends on your reading preferences and device compatibility. Research different platforms, read user reviews, and explore their features before making a choice. Are free eBooks of good quality? Yes, many reputable platforms offer high-quality free eBooks, including classics and public domain works. However, make sure to verify the source to ensure the eBook credibility. Can I read eBooks without an eReader? Absolutely! Most eBook platforms offer web-based readers or mobile apps that allow you to read eBooks on your computer, tablet, or smartphone. How do I avoid digital eye strain while reading eBooks? To prevent digital eye strain, take regular breaks, adjust the font size and background color, and ensure proper lighting while reading eBooks. What the advantage of interactive eBooks? Interactive eBooks incorporate multimedia elements, quizzes, and activities, enhancing the reader engagement and providing a more immersive learning experience. Digital Electronic Circuits Exam Questions And Answers is one of the best book in our library for free trial. We provide copy of Digital Electronic Circuits Exam Questions And Answers in digital format, so the resources that you find are reliable. There are also many Ebooks of related with Digital Electronic Circuits Exam Questions And Answers. Where to download Digital Electronic Circuits Exam Questions And Answers online for free? Are you looking for Digital Electronic Circuits Exam Questions And Answers PDF? This is definitely going to save you time and cash in something you should think about.

### **Find Digital Electronic Circuits Exam Questions And Answers :**

**30-96 mobile app ideas comparison for startups 30-1118 mobile app ideas**

roadmap for creators 30-516 remote work software America 30-1272 remote

[business 30-1884](#) [crypto investing roadmap for startups 30-46](#) [crypto side hustles tips for creators 30-1041](#) [side hustles tips for tutorial for creators 30-1731](#) [travel tips tutorial for creators 30-2875](#) [30-2035](#) [digital marketing ideas for entrepreneurs 30-2881](#) [digital comparison America 30-2287](#) [digital marketing comparison United States small business 30-2231](#) [online privacy comparison USA 30-2519](#) [online guide America 30-2467](#) [retirement planning guide for creators 30-2821](#) [entrepreneurs 30-1339](#) [crypto investing case study America 30-2522](#) [crypto comparison for entrepreneurs 30-2671](#) [Instagram growth examples for creators 30-846](#) [side hustles blueprint for small business 30-2835](#) [side USA 30-1177](#) [blog monetization blueprint for creators 30-1140](#) [blog business 30-274](#) [side hustles apps USA 30-2197](#) [side hustles apps for development roadmap USA 30-413](#) [chatbot development roadmap United States](#)

### Digital Electronic Circuits Exam Questions And Answers :

**borderline the european case frontiers of peace hardcover** - May 12 2023

web [borderline the european case frontiers of peace vincenzo valerio on amazon com au free shipping on eligible orders](#)

[borderline the european case frontiers of peace](#)

[borderline the european case frontiers of peace pdf](#) - Mar 10 2023

web merely said the [borderline the european case frontiers of peace](#) is universally compatible with any devices to read male roles masculinities and violence ingeborg breines 2000 this book is based on an expert group meeting entitled male roles and masculinities in the perspective of a culture of peace which was organised by

[borderline the european case frontiers of peace book](#) - Jul 02 2022

web latency time to download any of our books considering this one merely said the [borderline the european case frontiers of peace](#) is universally compatible subsequently any devices to read books ireland 2000 parks on the [borderline international union for conservation of nature and natural resources 1990](#) political science abstracts 2012

[borderline the borderlines of peace culture and cultural heritage](#) - Jun 13 2023

web the purpose of the european year of cultural heritage is to celebrate diversity and dialogue between cultures the project [borderline the frontiers of peace by photographer valerio vincenzo](#) offers a positive vision accessible to everyone of the achievements of the schengen area and the european values of peace and freedom of

**borderline the european case frontiers of peace 2022** - Mar 30 2022

web borderline the european case frontiers of peace boundary and security bulletin nineteenth century and after malta and the eu interior frontiers border encounters the european puzzle politics of identity in post conflict states minority languages in europe museums migration and identity in europe the nineteenth century negotiating culture

borderline les frontières de la paix the council of europe - Dec 27 2021

web brève description de l initiative l année européenne du patrimoine culturel vise à célébrer la diversité et le dialogue entre les cultures le projet borderline les frontières de la paix du photographe valerio vincenzo propose un regard positif et accessible à tous sur les acquis de l espace schengen ainsi que les valeurs

**pdf borderline the european case frontiers of peace pdf** - Apr 30 2022

web as with ease as insight of this borderline the european case frontiers of peace pdf can be taken as skillfully as picked to act information bulletin zachodnia agencja prasowa 1966 the european court of human rights between law and politics jonas christoffersen 2013 09 05

**borderline the european case frontiers of peace pdf** - Sep 04 2022

web 4 borderline the european case frontiers of peace 2021 07 04 cinema emphasis is be placed on the political structuring of cultural identities by contrasting top down and bottom up processes that define the tensions between the unity and diversity of the european community border encounters springer the draft audiovisual media services ams

**borderline the european case frontiers of peace amazon** - Feb 09 2023

web borderline the european case frontiers of peace vincenzo valerio amazon sg books

**free borderline the european case frontiers of peace** - Feb 26 2022

web critical evaluation of secondary materials the case studies in this collection demonstrate in fascinating detail that such americans were noteworthy actors in the evolution of africa s confrontation with the outside world

**borderline frontiers of peace valerio vincenzo** - Jan 08 2023

web borderline the frontiers of peace strives to show the results of a historical change that has taken place over the last decades in europe since the signature of the schengen agreements in 1985 the borders of most of the european continent have been erased little by little from the landscapes and people s imaginations

**borderline the european case frontiers of peace** - Nov 06 2022

web contemporary perceptions and perspectives concerning border regions inside the eu between eu and non eu european countries and between european and non european countries politics of identity in post conflict states routledge

*borderline valerio vincenzo* - Apr 11 2023

web from 2007 to 2019 i documented more than 20 000 km of borders between peaceful countries in europe to date the

travelling exhibition has been hosted by more than 30 cities since 2017 the association borderline frontiers of peace has been developing educational activities related to the project

**borderline frontiers of peace portfolio borders in globalization** - Jul 14 2023

web dec 20 2021 the nobel committee stated the union and its forerunners have for over six decades contributed to the advancement of peace and reconciliation democracy and human rights in europe today the final words of this statement are being called into question as indeed are the construction of europe and the schengen area too

borderline the frontiers of peace fondation hippocrène - Aug 03 2022

web fondation hippocrène fr de login

borderline the european case by valerio vincenzo 2017 - Jun 01 2022

web find many great new used options and get the best deals for borderline the european case by valerio vincenzo 2017

hardcover at the best online prices at ebay free shipping for many products

**pdf borderline frontiers of peace researchgate** - Aug 15 2023

web dec 20 2021 valerio vincenzo abstract from portugal to bulgaria from finland to greece photographer valerio vincenzo zigzagged along the length of nearly 20 000 kilometers of borders between the countries

**borderline the european case frontiers of peace by valerio** - Dec 07 2022

web european borderline brexit fears for the irish peace process doing frontiers on the performativity of the european speech by minister of state for europe michael roth at the borderline the european case frontiers of peace borderline the frontiers of peace private photo review religion as a frontier of the european union a case study

**borderline europe wikipedia** - Jan 28 2022

web borderline europe human rights without borders e v is a non governmental organisation which through independent investigations and public relations work advocates the protection of human rights especially at the eu s external borders it is based in berlin and has two branches on the islands of sicily and lesbos the organisation was founded in

**borderline the european case frontiers of peace by valerio** - Oct 05 2022

web borderline the european case frontiers of peace by valerio vincenzo hardcover eur 85 82 À vendre he captures what is left over tranquillity beauty calm peace and freedom 134518833104 fr

**conspirata a novel of ancient rome bookreporter com** - Feb 15 2023

web conspirata a novel of ancient rome by robert harris conspirata is the second installment in robert harris s historical fiction trilogy about ancient rome as the book

conspirata a novel of ancient rome by robert harris - Nov 12 2022

web conspirata a novel of ancient rome robert harris read by simon jones simon schuster audio unabridged 12 cds 14 hrs 49

99 isbn 978 0 7435 6677 3

[conspirata a novel of ancient rome amazon com au](#) - Sep 10 2022

web select the department you want to search in

**conspirata a novel of ancient rome by harris robert** - Jul 20 2023

web feb 2 2010 robert harris s second entry in the cicero trilogy the first was imperium conspirata follows the famed roman orator through his career as consul charting his

**conspirata a novel of ancient rome lingua inglese by robert** - Apr 05 2022

web may 22nd 2020 robert harris conspirata a novel of ancient rome raffaele damato roman army units in the western provinces 1 31 bc ad 195 roald dahl matilda running press harry

**conspirata a novel of ancient rome lingua inglese pdf** - Oct 11 2022

web jun 28 2023 a novel of ancient rome lingua inglese can be one of the options to accompany you afterward having new time it will not waste your time take me the e

**conspirata a novel of ancient rome worldcat org** - May 18 2023

web conspirata a novel of ancient rome authors robert harris oliver ford davies narrator summary on the eve of marcus cicero s inauguration as consul of rome

*conspirata a novel of ancient rome lingua inglese uniport edu* - May 06 2022

web sep 4 2023 conspirata a novel of ancient rome lingua inglese 1 8 downloaded from uniport edu ng on september 4 2023 by guest conspirata a novel of ancient rome

*conspirata a novel of ancient rome by robert harris alibris* - Jan 14 2023

web buy conspirata a novel of ancient rome by robert harris online at alibris we have new and used copies available in 7 editions starting at 1 45 shop now

**conspirata a novel of ancient rome amazon sg books** - Apr 17 2023

web delivering to singapore 049145 sign in to update your location all

**conspirata a novel of ancient rome robert harris google** - Sep 22 2023

web apr 3 2010 conspirata is a portrait of ancient politics as a blood sport raves the new york times as he did with imperium robert harris again turns roman history into a

**conspirata a novel of ancient rome lingua inglese** - Oct 23 2023

web during an unhappy honeymoon in rome she experiences his coldness towards her ambitions slowly she realises that his great project is doomed to failure and her feelings

*conspirata a novel of ancient rome by robert harris goodreads* - Aug 21 2023

web now available from encore at a great price the second installment in robert harris s magnificent ancient rome trilogy is a portrait of ancient politics as a blood sport

**conspirata a novel of ancient rome lingua inglese uniport edu** - Jan 02 2022

web jun 30 2023 conspirata a novel of ancient rome lingua inglese 2 7 downloaded from uniport edu ng on june 30 2023 by guest tumultuous dictator encompasses some

*ebook conspirata a novel of ancient rome lingua inglese* - Mar 16 2023

web conspirata a novel of ancient rome lingua inglese quo vadis a story of faith in the last days of the roman empire sep 15 2021 focus on the family great stories are

**conspirata a novel of ancient rome lingua inglese luciano** - Jul 08 2022

web one merely said the conspirata a novel of ancient rome lingua inglese is universally compatible in the same way as any devices to read julius caesar luciano canfora

conspirata a novel of ancient rome lingua inglese - Aug 09 2022

web this epic trilogy by robert harris includes his bestselling novels imperium lustrum and dictator imperium compellingly written in tiro s voice imperium takes us inside the

**conspirata a novel of ancient rome lingua inglese ftp** - Mar 04 2022

web conspirata nick hern books the julio claudian family possessed all the brutality and dysfunctionality of the sopranos but with fewer or no constraints on their power to

**conspirata a novel of ancient rome worldcat org** - Jun 19 2023

web conspirata a novel of ancient rome author robert harris summary on the eve of marcus cicero s inauguration as consul of rome the grisly death of a boy sends ripples

conspirata a novel of ancient rome lingua inglese - Jun 07 2022

web 4 conspirata a novel of ancient rome lingua inglese 2023 07 19 republic and his life there is a plot to assassinate him abetted by a rising young star of the roman senate

**conspirata a novel of ancient rome audiobook on spotify** - Dec 13 2022

web listen to conspirata a novel of ancient rome on spotify

*conspirata a novel of ancient rome lingua inglese uniport edu* - Feb 03 2022

web apr 2 2023 conspirata a novel of ancient rome lingua inglese 1 7 downloaded from uniport edu ng on april 2 2023 by guest conspirata a novel of ancient rome lingua

interactive web based virtual reality with java 3d - Jan 29 2022

web web based virtual reality the rapid development of the world wide web in recent decades has created an important

variant of virtual reality applications that of web based virtual reality applications in this domain are usually developed using the main programming languages of virtual reality modeling language vrml as well as the 3d

*interactive web based virtual reality with java 3 pdf* - Aug 16 2023

web is interactive web based virtual reality with java 3 below electronics electrical engineering and information science jian wang 2016 03 07 this book consists of one hundred and seventeen selected papers presented at the 2015 international conference on electronics electrical engineering and information science eeeis2015 which was held

*interactive web based virtual reality with java 3d igi global* - Jul 15 2023

web interactive web based virtual reality with java 3d provides both advanced and novice programmers with comprehensive detailed coverage of all of the important issues in java 3d this essential book delivers illustrations of essential keywords syntax and methods to provide an easy to read learning experience for the reader

**interactive web based virtual reality with java 3d** - Feb 10 2023

web jan 22 2023 interactive web based virtual reality with java 3d by chi chung ko and chang dong cheng p cm includes bibliographical references and index summary this book provides both advanced and novice programmers with comprehensive detailed coverage of all of the important issues in java 3d provided by publisher

**a frame make webvr** - Jul 03 2022

web a web framework for building 3d ar vr experiences make 3d worlds with html and entity component on any headset mobile and desktop get started

**interactive web based virtual reality with java 3d google play** - Oct 06 2022

web interactive web based virtual reality with java 3d ebook written by ko chi chung cheng chang dong read this book using google play books app on your pc android ios devices download for offline reading highlight bookmark or take notes while you read interactive web based virtual reality with java 3d

[interactive web based virtual reality with java 3d guide books](#) - Jun 14 2023

web interactive web based virtual reality with java 3d 701 e chocolate ave hershey pa 978 1 59904 789 8 save to binder skip bibliometrics section downloads cumulative acm digital library board using acm digital library acm computing classification system digital library accessibility

*virtual reality and java 3d researchgate* - Nov 07 2022

web jan 1 2009 virtual reality and java 3d authors chi chung ko chang dong cheng abstract web based virtual reality is fast becoming an important application and technological tools in the next

**interactive web based virtual reality with java 3d open library** - Aug 04 2022

web interactive web based virtual reality with java 3d by chi chung ko 2008 irm press edition in english

**webvr virtual reality for the web game development mdn** - Jun 02 2022

web jun 28 2023 game development webvr virtual reality for the web english us webvr virtual reality for the web the concept of virtual reality in itself isn t new but now we have the technology to have it working as it should be and a javascript api to make use of it in web applications

**interactive web based virtual reality with java 3d** - May 13 2023

web interactive web based virtual reality with java 3d by chi chung ko and chang dong cheng p cm includes bibliographical references and index summary this book provides both advanced and novice programmers with comprehensive detailed coverage of all of the important issues in java 3d provided by publisher

*interactive web based virtual reality with java 3d* - Feb 27 2022

web interactive web based virtual reality with java 3d by chi chung ko and chang dong cheng p cm includes bibliographical references and index summary this book provides both advanced and novice programmers with comprehensive detailed coverage of all of the important issues in java 3d provided by publisher

*interactive web based virtual reality with java 3d* - Apr 12 2023

web with numerous aspects of the business science medical and educational fields implementing this technology the need for familiarity of java 3d amplifies interactive web based virtual

virtual reality and java 3d igi global - Jan 09 2023

web while tools based on vrml virtual reality modeling language are frequently used for creating web based 3d applications java 3d has established itself as an important modeling and rendering languages for more specialized applications that involve for example database accesses customized behaviors and home use mobile devices such

**interactive web based virtual reality with java 3d by chi chung** - May 01 2022

web interactive web based virtual reality with java 3d available in hardcover interactive web based virtual reality with java 3d by chi chung ko chang dong cheng view more read reviews add to wishlist isbn 10 1599047896 isbn 13 9781599047898 pub date 07 31 2008 publisher

interactive web based virtual reality with java 3d worldcat org - Sep 05 2022

web interactive web based virtual reality with java 3d authors chi chung ko chang dong cheng summary this book provides both advanced and novice programmers with comprehensive detailed coverage of all of the important issues in java 3d provided by publisher print book english 2009 edition view all formats and editions

**interactive web based virtual reality with java 3d** - Mar 11 2023

web interactive web based virtual reality with java 3d provides both advanced and novice programmers with comprehensive detailed coverage of all of the important issues in java 3d this essential book delivers illustrations of essential keywords

syntax and methods to provide an easy to read learning experience for the reader

*interactive web based virtual reality with java 3d gale* - Dec 08 2022

web overview this book provides both advanced and novice programmers with comprehensive detailed coverage of all of the important issues in java 3d table of contents front cover title page copyright page table of contents preface virtual reality and java 3d java 3d overview geometry objects appearance objects textures

*interactive web based virtual reality with java 3d premier* - Dec 28 2021

web interactive web based virtual reality with java 3d premier reference source by chi chung ko what is virtual reality

definition from whatis june 8th 2020 the simplest form of virtual reality is a 3 d image that can be explored interactively at a personal puter usually by

building virtual reality for the web using javascript dev diner - Mar 31 2022

web a frame lets you use web components to build webvr experiences a frame the easiest way to bring vr to the web today

sitepoint here s a tutorial to give you a grip on the basics webvr a guide to the webvr spec recommended reading for anyone new to