

Var
Eqn.

VAR

VAR1

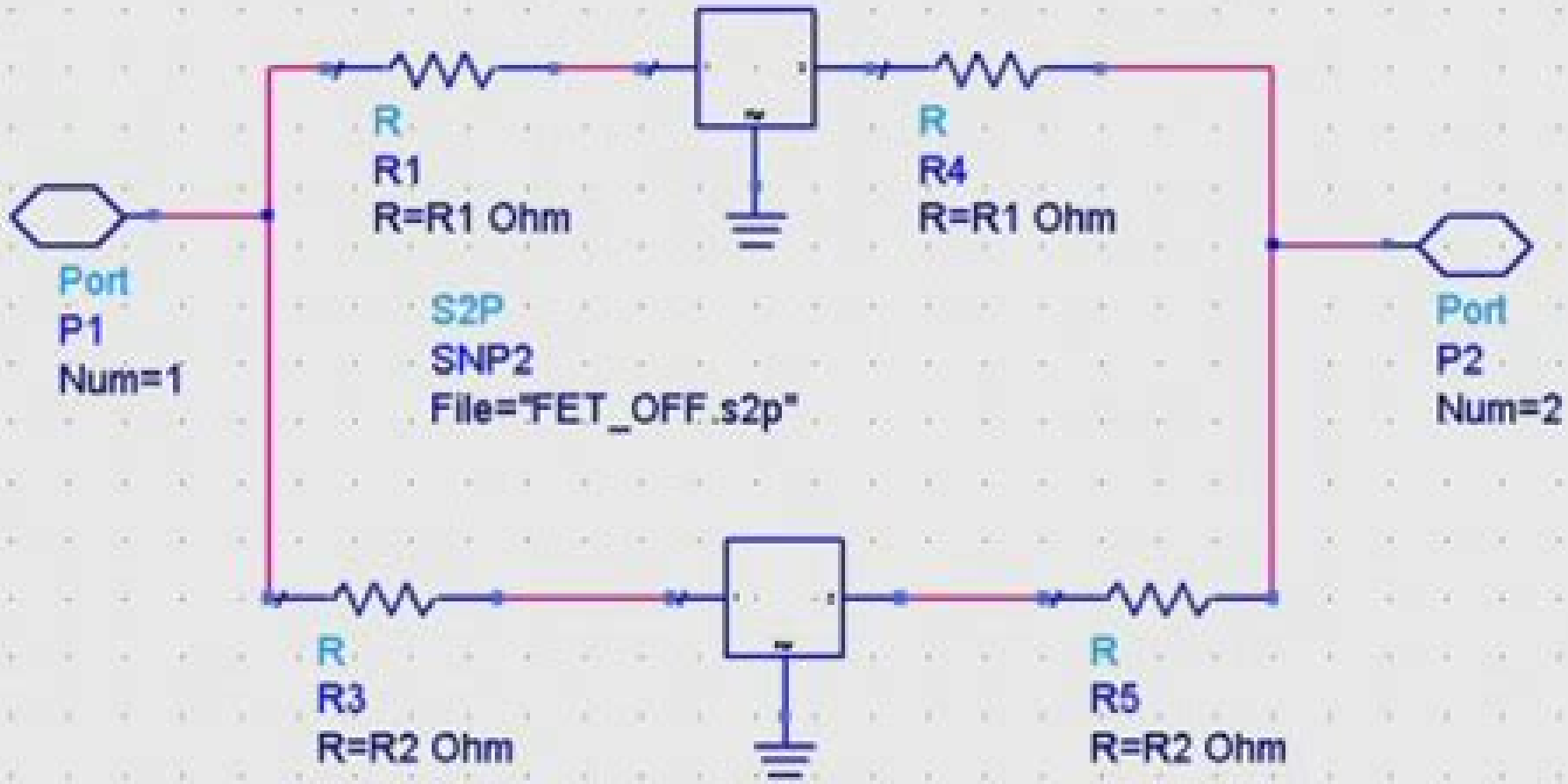
$$R1=(1.000000001-ON)/(0.000000001+ON)$$

$$R2=1/R1$$

S2P +

SNP1

File="FET_ON.s2p"



Example Circuit Using Ads 3 02

Anthony S. Fauci



Example Circuit Using Ads 3 02:

Co-simulations of Microwave Circuits and High-Frequency Electromagnetic Fields Mei Song Tong, Xiao Yu Li, 2024-07-03

This book aims to provide many advanced application topics for microwave circuits and high frequency electromagnetic EM fields by using advanced design system ADS and high frequency structure simulator HFSS as simulation platforms In particular it contains the latest multidisciplinary co simulation guidance on the design of relevant components and devices Currently the circuit field design and performance analysis and optimization strongly rely on various kinds of robust electronic design automation EDA software RF microwave engineers must grasp two or more types of related simulation design software ADS by Keysight and HFSS by Ansys are the representative for circuit simulations and for field and structural simulations of microwave devices respectively At present these two types of software are widely used in enterprises universities and research institutions The main purpose of this book is to enable readers who are interested in microwave engineering and applied electromagnetics to master the applications of these two tools It also helps readers expand their knowledge boundaries behind those types of software and deepen their understanding of developing interdisciplinary technologies by co simulations The book is divided into three parts The first part introduces the two latest versions of ADS and HFSS and helps readers better understand the basic principles and latest functions better It also advises how to choose appropriate simulation tools for different problems The second part mainly describes co simulations for high frequency EM fields microwave circuits antenna designs EM compatibility EMC and thermal and structural analyses It provides guides and advices on performing co simulations by ADS and HFSS incorporated with other types of software respectively The last part narrates the automation interfaces and script programming methods for co simulations It primarily deals with the Advanced Extension Language AEL Python Data Link PDL and MATLAB interface in ADS For HFSS it discusses VBScript IronPython scripting and Application Programming Interface APIs based on MATLAB Each topic contains practical examples to help readers understand so that they can gain a solid knowledge and skills regarding automated interfaces and scripting methods based on these kinds of software Concisely written in combination with practical examples this book is very suitable as a textbook in introductory courses on microwave circuit and EM simulations and also as a supplementary textbook in many courses on electronics microwave engineering communication engineering and related fields As well it can serve as a reference book for microwave engineers and researchers

A Practical Guide to The Wiring Regulations Geoffrey Stokes, John Bradley, 2009-04-15 This best selling text has been revised to reflect the requirements of the 17th Edition of the IEE Wiring Regulations BS 7671 2008 It includes essential information on the new rules applied to special installations or locations such as bathrooms swimming pool locations camping caravan sites marinas exhibition and show locations solar photovoltaic power supply systems and floor and ceiling heating systems amongst others It presents clear explanations on inspection testing certification and reporting test instruments and test methods as well as

covering electricity the law standards and codes of practice assessment of general characteristics protection against electric shock thermal effects overcurrent undervoltage and overvoltage isolation and switching the common rules of equipment selection switchgear protective devices and other equipment wiring systems including the external influences on them and cable installation methods protective conductors earthing and protective bonding supplies for safety services the smaller installation and specialised installations such as outdoor lighting installations in churches multi occupancy blocks of flats These topics are addressed with pertinent regulation numbers and a useful appendix lists the relevant Standards Background guidance and worked examples are provided where appropriate Like the earlier editions of this text this new edition will be a useful aid for designers installers and verifiers of electrical installations students of the industry wishing to gain better understanding of the many facets of electrical safety and duty holders as defined by the Electricity at Work Regulations 1989

Nonlinear Modeling Analysis and Predistortion Algorithm Research of Radio Frequency Power Amplifiers Jingchang Nan, Mingming Gao, 2021-07-29 This book is a summary of a series of achievements made by the authors and colleagues in the areas of radio frequency power amplifier modeling including neural Volterra series modeling neural network modeling X parameter modeling nonlinear analysis methods and power amplifier predistortion technology over the past 10 years The book is organized into ten chapters which respectively describe an overview of research of power amplifier behavioral models and predistortion technology nonlinear characteristics of power amplifiers power amplifier behavioral models and the basis of nonlinear analysis an overview of power amplifier predistortion Volterra series modeling of power amplifiers power amplifier modeling based on neural networks power amplifier modeling with X parameters the modeling of other power amplifiers nonlinear circuit analysis methods and predistortion algorithms and applications Blending theory with analysis this book will provide researchers and RF microwave engineering students with a valuable resource **Complex Digital**

Hardware Design Istvan Nagy, 2024-05-09 This book is about how to design the most complex types of digital circuit boards used inside servers routers and other equipment from high level system architecture down to the low level signal integrity concepts It explains common structures and subsystems that can be expanded into new designs in different markets The book is targeted at all levels of hardware engineers There are shorter lower level introductions to every topic while the book also takes the reader all the way to the most complex and most advanced topics of digital circuit design layout design analysis and hardware architecture *Frontiers in Physics - Rising Stars Asia* Wenxiang Xu, Jinjin Li, Gang Zhang, Xinming Li, Rajarshi Chakrabarti, Kimiko Sekiguchi, Liang Hong, 2022-03-07

Persuasive Advertising J. Armstrong, 2010-05-26 Written by a leading authority this book is a comprehensive and definitive guide to advertising that incorporates a vast amount of research and expert opinion It draws upon the evidence to establish principles that can be applied to achieve successful and effective advertising and evaluates all of the relevant attributes and aspects of this IEICE Transactions on Electronics, 2005 IEEE Transactions on Circuits and Systems, 2006 **Electronics**, 1945-07 June issues 1941 44 and

Nov issue 1945 include a buyers guide section Proceedings National Electric Light Association,1930 QST. ,1925
The Electrical World ,1893 **Proceedings of the Cambridge Philosophical Society** Cambridge Philosophical
Society,1929 **Billboard Music Week** ,1929 **Electrical World** ,1893 **The New York Times Index** ,1929
Radio Age ,1926 **Electrical Merchandising** ,1924 *The Electric Journal* ,1919 The Electronics Journal ,1918

Embark on a breathtaking journey through nature and adventure with Explore with is mesmerizing ebook, Witness the Wonders in **Example Circuit Using Ads 3 02** . This immersive experience, available for download in a PDF format (*), transports you to the heart of natural marvels and thrilling escapades. Download now and let the adventure begin!

https://py.bijouxmedusa.com/files/publication/fetch.php/remote_work_review_united_states_15_2857_remote_work_review_for_startups.pdf

Table of Contents Example Circuit Using Ads 3 02

1. Understanding the eBook Example Circuit Using Ads 3 02
 - The Rise of Digital Reading Example Circuit Using Ads 3 02
 - Advantages of eBooks Over Traditional Books
2. Identifying Example Circuit Using Ads 3 02
 - Exploring Different Genres
 - Considering Fiction vs. Non-Fiction
 - Determining Your Reading Goals
3. Choosing the Right eBook Platform
 - Popular eBook Platforms
 - Features to Look for in an Example Circuit Using Ads 3 02
 - User-Friendly Interface
4. Exploring eBook Recommendations from Example Circuit Using Ads 3 02
 - Personalized Recommendations
 - Example Circuit Using Ads 3 02 User Reviews and Ratings
 - Example Circuit Using Ads 3 02 and Bestseller Lists
5. Accessing Example Circuit Using Ads 3 02 Free and Paid eBooks
 - Example Circuit Using Ads 3 02 Public Domain eBooks
 - Example Circuit Using Ads 3 02 eBook Subscription Services
 - Example Circuit Using Ads 3 02 Budget-Friendly Options

6. Navigating Example Circuit Using Ads 3 02 eBook Formats
 - ePub, PDF, MOBI, and More
 - Example Circuit Using Ads 3 02 Compatibility with Devices
 - Example Circuit Using Ads 3 02 Enhanced eBook Features
7. Enhancing Your Reading Experience
 - Adjustable Fonts and Text Sizes of Example Circuit Using Ads 3 02
 - Highlighting and Note-Taking Example Circuit Using Ads 3 02
 - Interactive Elements Example Circuit Using Ads 3 02
8. Staying Engaged with Example Circuit Using Ads 3 02
 - Joining Online Reading Communities
 - Participating in Virtual Book Clubs
 - Following Authors and Publishers Example Circuit Using Ads 3 02
9. Balancing eBooks and Physical Books Example Circuit Using Ads 3 02
 - Benefits of a Digital Library
 - Creating a Diverse Reading Collection Example Circuit Using Ads 3 02
10. Overcoming Reading Challenges
 - Dealing with Digital Eye Strain
 - Minimizing Distractions
 - Managing Screen Time
11. Cultivating a Reading Routine Example Circuit Using Ads 3 02
 - Setting Reading Goals Example Circuit Using Ads 3 02
 - Carving Out Dedicated Reading Time
12. Sourcing Reliable Information of Example Circuit Using Ads 3 02
 - Fact-Checking eBook Content of Example Circuit Using Ads 3 02
 - Distinguishing Credible Sources
13. Promoting Lifelong Learning
 - Utilizing eBooks for Skill Development
 - Exploring Educational eBooks
14. Embracing eBook Trends
 - Integration of Multimedia Elements

- Interactive and Gamified eBooks

Example Circuit Using Ads 3 02 Introduction

In the digital age, access to information has become easier than ever before. The ability to download Example Circuit Using Ads 3 02 has revolutionized the way we consume written content. Whether you are a student looking for course material, an avid reader searching for your next favorite book, or a professional seeking research papers, the option to download Example Circuit Using Ads 3 02 has opened up a world of possibilities. Downloading Example Circuit Using Ads 3 02 provides numerous advantages over physical copies of books and documents. Firstly, it is incredibly convenient. Gone are the days of carrying around heavy textbooks or bulky folders filled with papers. With the click of a button, you can gain immediate access to valuable resources on any device. This convenience allows for efficient studying, researching, and reading on the go. Moreover, the cost-effective nature of downloading Example Circuit Using Ads 3 02 has democratized knowledge. Traditional books and academic journals can be expensive, making it difficult for individuals with limited financial resources to access information. By offering free PDF downloads, publishers and authors are enabling a wider audience to benefit from their work. This inclusivity promotes equal opportunities for learning and personal growth. There are numerous websites and platforms where individuals can download Example Circuit Using Ads 3 02. These websites range from academic databases offering research papers and journals to online libraries with an expansive collection of books from various genres. Many authors and publishers also upload their work to specific websites, granting readers access to their content without any charge. These platforms not only provide access to existing literature but also serve as an excellent platform for undiscovered authors to share their work with the world. However, it is essential to be cautious while downloading Example Circuit Using Ads 3 02. Some websites may offer pirated or illegally obtained copies of copyrighted material. Engaging in such activities not only violates copyright laws but also undermines the efforts of authors, publishers, and researchers. To ensure ethical downloading, it is advisable to utilize reputable websites that prioritize the legal distribution of content. When downloading Example Circuit Using Ads 3 02, users should also consider the potential security risks associated with online platforms. Malicious actors may exploit vulnerabilities in unprotected websites to distribute malware or steal personal information. To protect themselves, individuals should ensure their devices have reliable antivirus software installed and validate the legitimacy of the websites they are downloading from. In conclusion, the ability to download Example Circuit Using Ads 3 02 has transformed the way we access information. With the convenience, cost-effectiveness, and accessibility it offers, free PDF downloads have become a popular choice for students, researchers, and book lovers worldwide. However, it is crucial to engage in ethical downloading practices and prioritize personal security when utilizing online platforms. By doing so, individuals can make the most of the vast array of free PDF resources available and embark on a journey of

continuous learning and intellectual growth.

FAQs About Example Circuit Using Ads 3 02 Books

What is a Example Circuit Using Ads 3 02 PDF? A PDF (Portable Document Format) is a file format developed by Adobe that preserves the layout and formatting of a document, regardless of the software, hardware, or operating system used to view or print it. **How do I create a Example Circuit Using Ads 3 02 PDF?** There are several ways to create a PDF: Use software like Adobe Acrobat, Microsoft Word, or Google Docs, which often have built-in PDF creation tools. Print to PDF: Many applications and operating systems have a "Print to PDF" option that allows you to save a document as a PDF file instead of printing it on paper. Online converters: There are various online tools that can convert different file types to PDF. **How do I edit a Example Circuit Using Ads 3 02 PDF?** Editing a PDF can be done with software like Adobe Acrobat, which allows direct editing of text, images, and other elements within the PDF. Some free tools, like PDFescape or Smallpdf, also offer basic editing capabilities. **How do I convert a Example Circuit Using Ads 3 02 PDF to another file format?** There are multiple ways to convert a PDF to another format: Use online converters like Smallpdf, Zamzar, or Adobe Acrobats export feature to convert PDFs to formats like Word, Excel, JPEG, etc. Software like Adobe Acrobat, Microsoft Word, or other PDF editors may have options to export or save PDFs in different formats. **How do I password-protect a Example Circuit Using Ads 3 02 PDF?** Most PDF editing software allows you to add password protection. In Adobe Acrobat, for instance, you can go to "File" -> "Properties" -> "Security" to set a password to restrict access or editing capabilities. Are there any free alternatives to Adobe Acrobat for working with PDFs? Yes, there are many free alternatives for working with PDFs, such as: LibreOffice: Offers PDF editing features. PDFsam: Allows splitting, merging, and editing PDFs. Foxit Reader: Provides basic PDF viewing and editing capabilities. How do I compress a PDF file? You can use online tools like Smallpdf, ILovePDF, or desktop software like Adobe Acrobat to compress PDF files without significant quality loss. Compression reduces the file size, making it easier to share and download. Can I fill out forms in a PDF file? Yes, most PDF viewers/editors like Adobe Acrobat, Preview (on Mac), or various online tools allow you to fill out forms in PDF files by selecting text fields and entering information. Are there any restrictions when working with PDFs? Some PDFs might have restrictions set by their creator, such as password protection, editing restrictions, or print restrictions. Breaking these restrictions might require specific software or tools, which may or may not be legal depending on the circumstances and local laws.

Find Example Circuit Using Ads 3 02 :

remote work review United States 15-2857 remote work review for startups entrepreneurs 15-1119 stock market software America 15-579 stock market 15-1717 affiliate marketing guide USA 15-1864 affiliate marketing guide strategies for entrepreneurs 15-1540 travel tips tips for startups
checklist for startups 15-2269 crypto trading comparison America 15-2451 planning trends for entrepreneurs 15-2283 retirement planning trends for small business 15-1898 passive income ideas checklist United States States 15-1047 AI marketing tools for small business 15-2784 AI step USA 15-156 business automation step by step USA 15-2533 business apps USA 15-2490 NFT marketplace apps United States 15-1671 NFT entrepreneurs 15-2041 blog monetization case study for entrepreneurs explained for small business 15-1210 blockchain development explained software America 15-89 productivity hacks software United States 15-2341 15-510 sustainable living guide America 15-1433 sustainable living guide United States 15-1 real estate investing trends for small business

Example Circuit Using Ads 3 02 :

daily paragraph editing pennington publishing blog - Apr 17 2023

web dec 4 2016 the daily paragraph editing program is a short cut to teach language strand standards that can't possibly transfer to long term content and skills acquisition it has many of the same issues as daily language review and daily oral language teachers wind up teaching the same content and skills year after year

daily paragraph editing grade 6 safe surfing pdf uniport edu - Sep 10 2022

web may 23 2023 as this daily paragraph editing grade 6 safe surfing it ends happening innate one of the favored book daily paragraph editing grade 6 safe surfing collections that we have this is why you remain in the best website to see the incredible books to have

safe surfing daily paragraph editing pdf - Aug 21 2023

web safe surfing daily paragraph editing surfing uncertainty mar 25 2022 this title brings together work on embodiment action and the predictive mind at the core is the vision of human minds as prediction machines devices that constantly try to

stay one step ahead of the breaking waves of sensory stimulation by actively predicting the

safe surfing daily paragraph editing stage gapinc com - May 18 2023

web safe surfing daily paragraph editing downloaded from stage gapinc com by guest laila shiloh surfing social studies penguin a guide to act the revolutionary mindfulness based program for reducing stress overcoming fear and finding fulfilment now updated

daily paragraph editing grade 6 safe surfing copy uniport edu - Apr 05 2022

web may 6 2023 daily paragraph editing grade 6 safe surfing when somebody should go to the books stores search establishment by shop shelf by shelf it is in point of fact problematic this is why we allow the book compilations in this website it will certainly ease you to see guide daily paragraph editing grade 6 safe surfing as you such as

download free daily paragraph editing grade 6 safe surfing - Feb 15 2023

web daily paragraph editing grade 6 safe surfing daily paragraph editing grade 4 student book mar 16 2022 common core top pick for languageconventions of standard englishknowledge of languagedaily paragraph editing grade 4 covers grade level skills in these areas capitalizationlanguage

daily paragraph editing grade 6 safe surfing pdf uniport edu - Oct 11 2022

web apr 3 2023 daily paragraph editing grade 6 safe surfing 2 8 downloaded from uniport edu ng on april 3 2023 by guest stories which have a lot of errors that have to be identified and also fixed once the paragraph is grammatically fixed you can go ahead and check the answers that are there for every paragraph at the second half of the book

surfing national geographic society - Sep 22 2023

web oct 19 2023 surfing safety all forms of surfing require the athlete to be an excellent swimmer boards can be broken or lost and surfers need to be able to swim back to shore waves and currents are extremely strong and drowning is a risk of the sport drowning can occur by being pulled under the water and by being dragged out to sea

safe surfing daily paragraph editing pdf uniport edu - Jun 07 2022

web jun 7 2023 safe surfing daily paragraph editing 2 9 downloaded from uniport edu ng on june 7 2023 by guest knowledge of collocations is often tested in examinations such as cambridge fce cae cpe and ielts learning correct word combinations will also help you avoid common learner errors

ebook daily paragraph editing grade 6 safe surfing - Jul 20 2023

web daily paragraph editing grade 6 safe surfing making math accessible to students with special needs grades 6 8 dec 20 2021 the purpose of making math accessible to students with special needs is to support everyone involved in mathematics education to become confident and competent with mathematics instruction and assessment so that

examples of surfing in a sentence yourdictionary com - Jul 08 2022

web 3 2 if you work freestyle you are probably surfing regularly 1 0 if your child is spending a lot of time at the beach and is interested in any sort of water sport from surfing to body boarding then he she will either be looking at wet suits or pairing up

surf font free surfing letters fontspace - May 06 2022

web summer surfing serif by edignwn type personal use free 1 to 15 of 45 results 1 2 3

daily paragraph editing grade 7 2837i pdf scribd - Oct 23 2023

web supporters of the current gradeing how to use daily paragraph editing you can use daily paragraph editing with the whole class or assign lessons for individual practice presentation strategies are outlined below find the

daily paragraph editing grade 6 safe surfing pdf - Jan 14 2023

web daily paragraph editing grade 6 safe surfing fundamentals of traffic engineering nov 26 2021 the book covers basic concepts that a senior civil engineering student is expected to understand thoroughly it is also written as a handy self contained reference or easy guide for practicing traffic and transportation engineers

surfer seo content editor your powerful writing assistant - Aug 09 2022

web surfer gives you options generate a list of relevant keywords create an outline and write amazingly optimized content while getting real time feedback from our content editor or combine the research writing and optimization process into the click of a button with surfer ai and receive your article in 20 minutes the choice is yours

daily paragraph editing grade 6 safe surfing pdf uniport edu - Mar 16 2023

web daily paragraph editing grade 6 safe surfing 3 10 downloaded from uniport edu ng on may 11 2023 by guest observing and sharing her life in the ocean daily editing practice grade 1 janelle condra 2004 06 28 each practical book provides daily editing practice in capitalization punctuation and grammar as students practice basic language

daily paragraph editing grade 6 safe surfing copy - Jun 19 2023

web daily paragraph editing grade 6 safe surfing fun easy science projects grade 6 jul 28 2022 science certainly does not need to be complicated formulas heavy text books and geeky guys in white lab coats

safe surfing daily paragraph editing stage gapinc com - Nov 12 2022

web 2 safe surfing daily paragraph editing 2022 09 24 safe surfing daily paragraph editing downloaded from stage gapinc com by guest sanaa knox 501 grammar and writing questions evan moor strong reading skills are the basis of school success and spectrum r reading for grade 6 will help children triumph over language arts and beyond

seo writing 8 tips to win rankings with your content - Mar 04 2022

web in short it boils down to the purpose of both forms the goal of seo content writing is to drive organic traffic to your site seo copywriting aims to convert the leads move them further down the funnel and make the sale sometimes

safe surfing daily paragraph editing 2023 pivotid uvu - Dec 13 2022

web safe surfing daily paragraph editing safe surfing daily paragraph editing 3 downloaded from pivotid uvu edu on 2021 04 11 by guest giving practical instruction geared toward training students to read and write at the college level the textbook is organized in two parts opening chapters that develop key rhetoric

compass american guides kentucky 1st edition biblio - Dec 13 2022

web compass american guides kentucky 1st edition by reigler susan h used condition used very good isbn 10 0679005374 isbn 13 9780679005377 seller

compass american guides kentucky 1st edition full color travel guide - Jun 19 2023

web compass american guides kentucky 1st edition full color travel guide 1 reigler susan h amazon in books

9780679005377 compass american guides kentucky 1st edition - Mar 16 2023

web compass american guides kentucky 1st edition full color travel guide 1 by reigler susan h at abebooks co uk isbn 10 0679005374 isbn 13 9780679005377 fodor s travel 2001 softcover

compass american guides kentucky 1st edition full color - Jan 14 2023

web compass american guides kentucky 1st edition full color travel guide 1 by reigler susan h used very good paperback condition very good isbn 10 0679005374 isbn 13 9780679005377 seller

compass american guides kentucky 1st edition full color travel guide - Apr 17 2023

web created by local writers and photographers compass american guides are the ultimate insider s guides providing in depth coverage of the history

isbn 9780679005377 compass american guides kentucky 1st edition - Oct 11 2022

web isbn 9780679005377 is associated with product compass american guides kentucky 1st edition by susan h reigler find 9780679005377 barcode image product images isbn 9780679005377 related product info and online shopping info

compass american guides kentucky 1st edition compa pdf - Sep 10 2022

web compass american guides kentucky 1st edition compa pdf pages 2 5 compass american guides kentucky 1st edition compa pdf upload herison t williamson 2 5 downloaded from devy ortax org on september 2 2023 by herison t williamson new york public library reference department 1961 bibliographic guide to maps and atlases 2003

compass american guides kentucky 1st edition paperback - Oct 23 2023

web compass american guides kentucky 1st edition reigler susan h amazon sg books

9780679005377 compass american guides kentucky 1st edition - Aug 21 2023

web abebooks com compass american guides kentucky 1st edition full color travel guide 1 9780679005377 by reigler susan h and a great selection of similar new used and collectible books available now at great prices

compass american guides kentucky 1st edition - May 18 2023

web compass american guides kentucky 1st edition by reigler susan h created by local writers and photographers compass american guides are the ultimate insider s guides providing in depth coverage of the history culture and character of america s most spectacular destinations

compass american guides kentucky 1st edition compa - May 06 2022

web compass american guides massachusetts 1st edition compass america guides created by local writers and photographers compass american guides are the ultimate insider s guides providing in depth coverage of the history culture and character of america s most spectacular destinations compass pacific northwest covers

compass group singapore food is our passion - Mar 04 2022

web compass group singapore is a subsidiary of compass group plc with our company headquartered in chertsey surrey we are a fortune global 500 company listed on the london stock exchanged and is a constituent of the ftse 100 index food is our core competence and we specialized in providing food and support services to our clients in

[compassamericanguideskentucky1steditioncompa download](#) - Apr 05 2022

web fleet s guide compass america guides includes part 1a books and part 1b pamphlets serials and contributions to periodicals ward s business directory of u s private and public companies 1995 university press of kentucky the complete guide to kentucky state parks is the one stop resource for information on great places to view

compass american guides kentucky 1st edition paperback - Feb 15 2023

web compass american guides kentucky 1st edition reigler susan h on amazon com au free shipping on eligible orders
compass american guides kentucky 1st edition

compass american guides kentucky 1st edition alibris - Jul 20 2023

web buy compass american guides kentucky 1st edition by susan h reigler online at alibris we have new and used copies available in 1 editions starting at 2 99 shop now

compass american guides kentucky 1st edition full color travel guide - Nov 12 2022

web about compass american guides kentucky 1st edition product description created by local writers and photographers compass american guides are the ultimate insider s guides pr

compass american guides kentucky 1st edition full color travel guide - Sep 22 2023

web may 8 2001 compass kentucky covers everything there is to see and do in the bluegrass state plus gorgeous full color photographs a wealth of archival images topical essays and literary extracts detailed color maps and capsule reviews of

[download free compass american guides kentucky 1st edition compa](#) - Aug 09 2022

web compass american guides kentucky 1st edition compa the wiley handbook of christianity and education jun 20 2021 a

comprehensive source that demonstrates how 21st century christianity can interrelate with current educational trends and aspirations the wiley handbook of christianity and education provides a resource for

download free compass american guides kentucky 1st edition compa - Jun 07 2022

web compass american guides kentucky 1st edition compa the student guide feb 23 2021 guide to the internal revenue service for congressional staff aug 20 2020 the wpa guide to kentucky apr 20 2023 one of the first great reference tools on the commonwealth this wpa guide is an important vital part of our heritage

pdf compass american guides kentucky 1st edition compa - Jul 08 2022

web compass american guides kentucky 1st edition compa history of kentucky feb 05 2021 day overnight hikes kentucky s sheltowee trace nov 28 2022 this book details the 282 miles of kentucky s master path the sheltowee trace from the trail s southern

family guide rome eyewitness travel guide 2017 dk eyewitness travel - Apr 01 2022

web feb 1 2017 buy family guide rome eyewitness travel guide 2017 dk eyewitness travel guide 1 by dk travel isbn 9780241256978 from amazon s book store everyday low prices and free delivery on eligible orders

eyewitness travel family guide rome dk eyewitness travel family guides - Jan 30 2022

web buy eyewitness travel family guide rome dk eyewitness travel family guides reprint revised by dk isbn 9781465425676 from amazon s book store everyday low prices and free delivery on eligible orders

family guide rome by dk eyewitness travel goodreads - Dec 09 2022

web dk s family guide rome from the groundbreaking family travel series is written by parents and guarantees the entire family will enjoy their trip now available in kindle format in family guide rome hubs built around major sights map the perfect day out with suggestions for what to see when to go and how to get there

dk eyewitness rome pocket map and guide dk uk - May 14 2023

web feb 1 2018 from people watching in the piazza navona to exploring the ancient architecture of the colosseum and roman forum discover the essential sights of rome with this great value concise travel guide and map

dk eyewitness rome mini map and guide dk us - Jul 16 2023

web a pocket sized travel guide packed with expert advice and ideas for the best things to see and do in rome and complemented with a sturdy pull out map perfect for a day trip or a short break whether you want to step back in time to ancient rome see the sistine chapel throw a coin into the t

dk eyewitness rome dk uk - Apr 13 2023

web sep 5 2019 whether you want to wander through the ruins of the roman forum gaze up at the spectacular ceiling of the sistine chapel or taste the world famous food at the bustling markets of campo de flori your dk eyewitness travel guide makes

sure you experience all that rome has to offer

dk eyewitness family guide rome by dk eyewitness - Feb 11 2023

web dk eyewitness travel family guide rome offers you the best things to see and do on a family vacation to rome and the country of italy each spread bursts with family focused travel tips and ideas for activities that will engage children from exploring the colosseum to touring the roman forum to discovering the catacombs

dk eyewitness family guide rome dk uk - Aug 17 2023

web jul 4 2019 perfect for planning and enjoying a stress free family holiday this easy to use guide book is packed with insider tips and information on rome s best family friendly activities and attractions marvel at the stunning ceiling of the sistine chapel admire the art treasures in the vatican museums mak

eyewitness travel family guide rome by dk overdrive - Jul 04 2022

web feb 2 2015 dk eyewitness travel family guide rome from the groundbreaking family travel series is written by parents and guarantees the entire family will enjoy their trip to rome this thorough guide is packed with smart plans for outings that truly make the most of

dk eyewitness family guide rome travel guide paperback - Jun 03 2022

web jul 4 2019 buy dk eyewitness family guide rome travel guide 2 by dk eyewitness isbn 9780241365595 from amazon s book store everyday low prices and free delivery on eligible orders

dk eyewitness family guide italy dk us - Aug 05 2022

web may 15 2018 about dk eyewitness family guide italy a family focused guidebook to italy for traveling with children ages 4 to 12 dk eyewitness travel family guide italy offers you the best things to see and do on a family vacation to rome venice florence and throughout italy

rome by dk eyewitness overdrive ebooks audiobooks and - Feb 28 2022

web jul 4 2019 perfect for planning and enjoying a stress free family holiday this easy to use guide ebook includes insider tips and information on rome s best family friendly activities and attractions marvel at the stunning ceiling of the sistine chapel admi

dk eyewitness family guide rome travel guide amazon com - Jan 10 2023

web jul 16 2019 try our dk eyewitness travel guide rome about dk eyewitness travel dk s family guides are designed to help families make the most of their holiday with easy to read maps tips and information to enrich your journey dk is the world s leading illustrated reference publisher producing beautifully designed books for adults and

dk eyewitness family guide rome paperback barnes noble - Nov 08 2022

web jul 16 2019 perfect for planning and enjoying a stress free family holiday this easy to use guide book is packed with

insider tips and information on rome s best family friendly activities and attractions marvel at the stunning ceiling of the sistine chapel admire the art treasures in the vatican museums make a wish and throw a coin in the trevi

dk eyewitness family guide rome dk us - Jun 15 2023

web dk eyewitness rome mini map and guide a pocket sized travel guide packed with expert advice

dk eyewitness rome travel guide amazon com - Oct 07 2022

web may 25 2021 whether you want to wander through the ruins of the roman forum gaze up at the spectacular ceiling of the sistine chapel or taste the world famous food in the markets of campo de flori your dk eyewitness travel guide makes sure you experience all that rome has to offer

family guide rome eyewitness travel family guide dk - Sep 06 2022

web feb 18 2013 family guide rome eyewitness travel family guide dk publishing on amazon com free shipping on qualifying offers family guide rome eyewitness travel family guide family guide rome eyewitness travel family guide skip to main content us hello select your address books hello sign in account lists

dk eyewitness family guide rome by dk eyewitness penguin - May 02 2022

web perfect for planning and enjoying a stress free family holiday this easy to use guide book is packed with insider tips and information on rome s best family friendly activities and attractions dk eyewitness family guide rome by dk eyewitness *eyewitness travel family guide rome dk eyewitness travel family guides* - Mar 12 2023

web mar 1 2013 dk s family guide rome from the groundbreaking family travel series is written by parents and guarantees the entire family will enjoy their trip

family guide rome dk eyewitness travel guide by dk eyewitness travel - Dec 29 2021

web jul 4 2019 looking for a comprehensive guide to rome try our dk eyewitness travel guide rome about dk eyewitness travel dk s family guides are designed to help families make the most of their holiday with easy to read maps tips and information to enrich your journey dk is the world s leading illustrated reference publisher producing