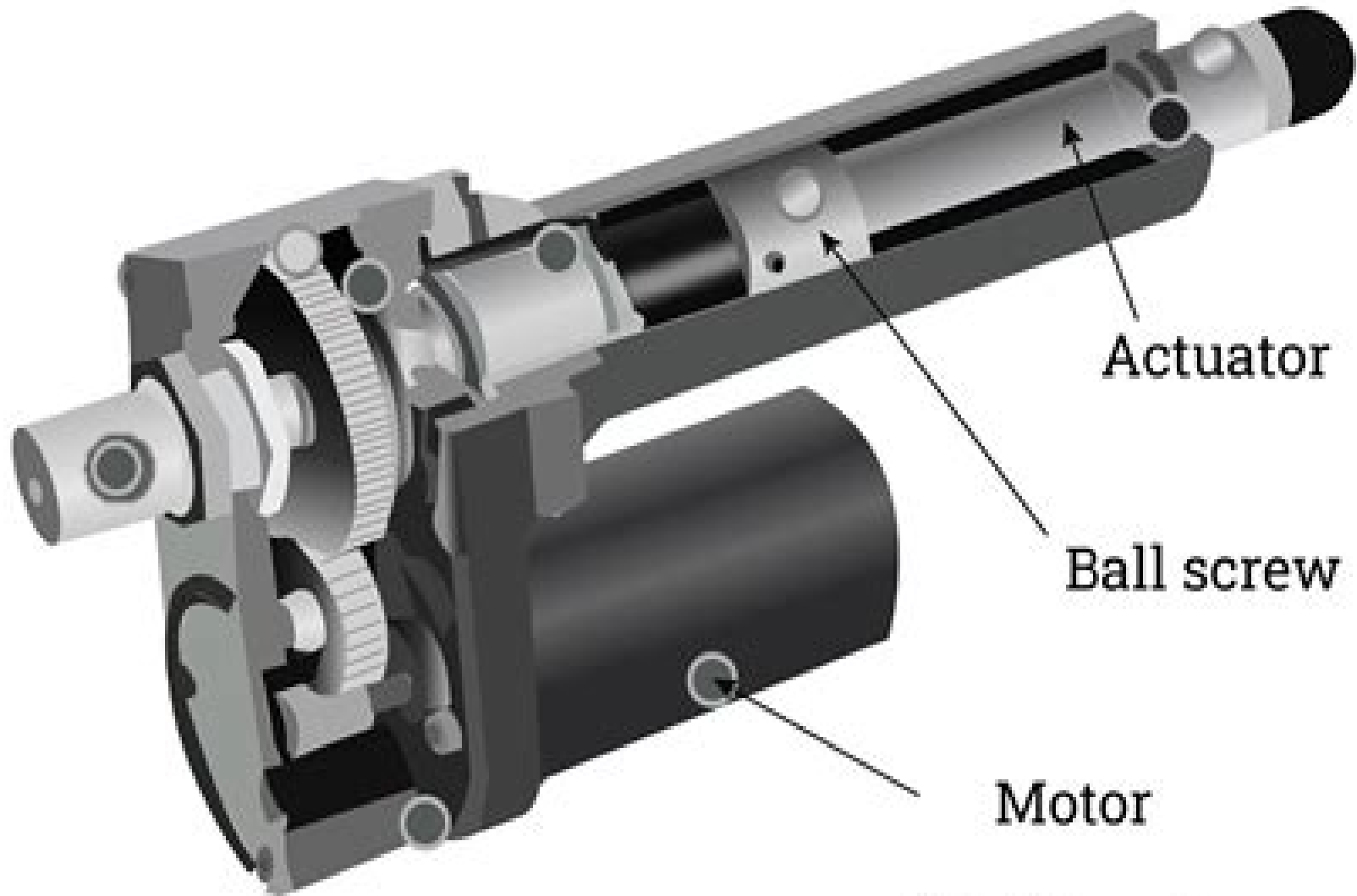


Electric Actuator



Instrumentation And Control Tutorial 2 Electric Actuators

KJ Lindholm-Leary



Instrumentation And Control Tutorial 2 Electric Actuators:

Instruments & Control Systems, 1977 *Proceedings IECON '91: Signal processing and system control. Intelligent sensors and instrumentation*, 1991 Instrumentation Technology, 1977 *Instrumentation & Control Systems*, 1996

Instrumentation and Control Chester L. Nachtigal, 1990-05-17 As part of the ongoing Wiley Series in Mechanical Engineering this edited volume serves as a complete reference and guide to the many facets of instrumentation and control engineering Broad in coverage and scope it provides practicing engineers with the latest data and activities taking place in the field Will give you an idea of the depth and breadth of coverage as reflected in the variety of topics explored including systems engineering concepts instrument static analysis grounding and cabling techniques bridge transducers position velocity acceleration force torque pressure and temperature transducers signal processing and transmission control system performance and modification number controllers for machine tools and robots and state space analysis for dynamic and control systems **273 technical questions and answers for job interview Offshore Oil & Gas Platforms** Petrogav International Oil & Gas Training Center, 2020-06-29 The job interview is probably the most important step you will take in your job search journey Because it s always important to be prepared to respond effectively to the questions that employers typically ask at a job interview Petrogav International has prepared this eBooks that will help you to get a job in oil and gas industry Since these questions are so common hiring managers will expect you to be able to answer them smoothly and without hesitation This eBook contains 273 questions and answers for job interview and as a BONUS web addresses to 218 video movies for a better understanding of the technological process This course covers aspects like HSE Process Mechanical Electrical and Instrumentation Control that will enable you to apply for any position in the Oil and Gas Industry *Technical questions and answers for job interview Offshore Oil & Gas Rigs* Petrogav International Oil & Gas Training Center, 2020-06-29 The job interview is probably the most important step you will take in your job search journey Because it s always important to be prepared to respond effectively to the questions that employers typically ask at a job interview Petrogav International has prepared this eBooks that will help you to get a job in oil and gas industry Since these questions are so common hiring managers will expect you to be able to answer them smoothly and without hesitation This eBook contains 273 questions and answers for job interview and as a BONUS web addresses to 218 video movies for a better understanding of the technological process This course covers aspects like HSE Process Mechanical Electrical and Instrumentation Control that will enable you to apply for any position in the Oil and Gas Industry Technical questions and answers for job interview Offshore Drilling Platforms PETROGAV INTERNATIONAL, This book offers you a brief but very involved look into the operations in the drilling of an oil gas wells that will help you to be prepared for job interview at oil gas companies From start to finish you ll see a general prognosis of the drilling process If you are new to the oil gas industry you ll enjoy having a leg up with the knowledge of these processes If you are a seasoned oil gas person you ll enjoy reading what

you may or may not know in these pages This course provides a non technical overview of the phases operations and terminology used on offshore drilling platforms It is intended also for non drilling personnel who work in the offshore drilling exploration and production industry This includes marine and logistics personnel accounting administrative and support staff environmental professionals etc No prior experience or knowledge of drilling operations is required This course will provide participants a better understanding of the issues faced in all aspects of drilling operations with a particular focus on the unique aspects of offshore operations

Control Engineering, 1990 Instrumentation and automatic control systems
Proceedings IECON '91: Invited session. Special session. Power electronics and motion control, 1991 **Proceedings IECON '91: Robotics, CIM and automation. Emerging technologies**, 1991 **InTech**, 2002 **EcoMechatronics**
Peter Hehenberger, Maki Habib, David Bradley, 2022-11-21 This book showcases how EcoMechatronics can increase sustainability within engineering and manufacturing It brings together material from experts in core mechatronics technologies discussing the challenges related to moving towards more environmentally friendly methods and presenting numerous case studies and examples of EcoMechatronics oriented applications The book begins with an introduction to EcoMechatronics in the context of sustainability before covering core conceptual technical and design issues associated with EcoMechatronics It then offers a series of case studies and examples of EcoMechatronics oriented applications and finally a consideration of the educational issues associated with moving to a new generation of environmentally oriented mechatronic engineers EcoMechatronics will be of interest to practicing engineers researchers system developers and graduate students in the field of mechatronics and environmental engineering *Instrumentation Reference Book* Walt Boyes, 2010 keeping with the same proven formula of practical advice for real world applications from some of the world's leading authorities on instrumentation control and automation Book Jacket **Instrumentation Reference Book** B. E. Noltingk, 1988

Automatic Solar Tracking Sun Tracking Satellite Tracking rastreador solar seguimiento solar seguidor solar automático de seguimiento solar Gerro Prinsloo, Robert Dobson, 2015-11-01 Automatic Solar Tracking Sun Tracking This book details Automatic Solar Tracking Sun Tracking Systems Solar Trackers and Sun Tracker Systems An intelligent automatic solar tracker is a device that orients a payload toward the sun Such programmable computer based solar tracking device includes principles of solar tracking solar tracking systems as well as microcontroller microprocessor and or PC based solar tracking control to orientate solar reflectors solar lenses photovoltaic panels or other optical configurations towards the sun Motorized space frames and kinematic systems ensure motion dynamics and employ drive technology and gearing principles to steer optical configurations such as mangin parabolic conic or cassegrain solar energy collectors to face the sun and follow the sun movement contour continuously *seguimiento solar y automatizaci n automatizaci n seguidor solar tracking solar e automa o automa o seguidor solar inseguimento solare inseguitore solare energia termica sole seguito posizionatore motorizzato* In harnessing power from the sun through a solar tracker or practical solar tracking system renewable energy

control automation systems require automatic solar tracking software and solar position algorithms to accomplish dynamic motion control with control automation architecture circuit boards and hardware On axis sun tracking system such as the altitude azimuth dual axis or multi axis solar tracker systems use a sun tracking algorithm or ray tracing sensors or software to ensure the sun's passage through the sky is traced with high precision in automated solar tracker applications right through summer solstice solar equinox and winter solstice A high precision sun position calculator or sun position algorithm is this an important step in the design and construction of an automatic solar tracking system The content of the book is also applicable to communication antenna satellite tracking and moon tracking algorithm source code for which links to free download links are provided From sun tracing software perspective the sonnet Tracing The Sun has a literal meaning Within the context of sun track and trace this book explains that the sun's daily path across the sky is directed by relatively simple principles and if grasped understood then it is relatively easy to trace the sun with sun following software Sun position computer software for tracing the sun are available as open source code sources that is listed in this book The book also describes the use of satellite tracking software and mechanisms in solar tracking applications Ironically there was even a system called sun chaser said to have been a solar positioner system known for chasing the sun throughout the day Using solar equations in an electronic circuit for automatic solar tracking is quite simple even if you are a novice but mathematical solar equations are over complicated by academic experts and professors in text books journal articles and internet websites In terms of solar hobbies scholars students and Hobbyist's looking at solar tracking electronics or PC programs for solar tracking are usually overcome by the sheer volume of scientific material and internet resources which leaves many developers in frustration when search for simple experimental solar tracking source code for their on axis sun tracking systems This booklet will simplify the search for the mystical sun tracking formulas for your sun tracker innovation and help you develop your own autonomous solar tracking controller By directing the solar collector directly into the sun a solar harvesting means or device can harness sunlight or thermal heat This is achieved with the help of sun angle formulas solar angle formulas or solar tracking procedures for the calculation of sun's position in the sky Automatic sun tracking system software includes algorithms for solar altitude azimuth angle calculations required in following the sun across the sky In using the longitude latitude GPS coordinates of the solar tracker location these sun tracking software tools supports precision solar tracking by determining the solar altitude azimuth coordinates for the sun trajectory in altitude azimuth tracking at the tracker location using certain sun angle formulas in sun vector calculations Instead of follow the sun software a sun tracking sensor such as a sun sensor or webcam or video camera with vision based sun following image processing software can also be used to determine the position of the sun optically Such optical feedback devices are often used in solar panel tracking systems and dish tracking systems Dynamic sun tracing is also used in solar surveying DNI analyser and sun surveying systems that build solar infographics maps with solar radiance irradiance and DNI models for GIS geographical

information system In this way geospatial methods on solar environment interaction makes use use of geospatial technologies GIS Remote Sensing and Cartography Climatic data and weather station or weather center data as well as queries from sky servers and solar resource database systems i e on DB2 Sybase Oracle SQL MySQL may also be associated with solar GIS maps In such solar resource modelling systems a pyranometer or solarimeter is normally used in addition to measure direct and indirect scattered dispersed reflective radiation for a particular geographical location Sunlight analysis is important in flash photography where photographic lighting are important for photographers GIS systems are used by architects who add sun shadow applets to study architectural shading or sun shadow analysis solar flux calculations optical modelling or to perform weather modelling Such systems often employ a computer operated telescope type mechanism with ray tracing program software as a solar navigator or sun tracer that determines the solar position and intensity The purpose of this booklet is to assist developers to track and trace suitable source code and solar tracking algorithms for their application whether a hobbyist scientist technician or engineer Many open source sun following and tracking algorithms and source code for solar tracking programs and modules are freely available to download on the internet today Certain proprietary solar tracker kits and solar tracking controllers include a software development kit SDK for its application programming interface API attributes Pebble Widget libraries widget toolkits GUI toolkit and UX libraries with graphical control elements are also available to construct the graphical user interface GUI for your solar tracking or solar power monitoring program The solar library used by solar position calculators solar simulation software and solar contour calculators include machine program code for the solar hardware controller which are software programmed into Micro controllers Programmable Logic Controllers PLC programmable gate arrays Arduino processor or PIC processor PC based solar tracking is also high in demand using C Visual Basic VB as well as MS Windows Linux and Apple Mac based operating systems for sun path tables on Matlab Excel Some books and internet webpages use other terms such as sun angle calculator sun position calculator or solar angle calculator As said such software code calculate the solar azimuth angle solar altitude angle solar elevation angle or the solar Zenith angle Zenith solar angle is simply referenced from vertical plane the mirror of the elevation angle measured from the horizontal or ground plane level Similar software code is also used in solar calculator apps or the solar power calculator apps for IOS and Android smartphone devices Most of these smartphone solar mobile apps show the sun path and sun angles for any location and date over a 24 hour period Some smartphones include augmented reality features in which you can physically see and look at the solar path through your cell phone camera or mobile phone camera at your phone s specific GPS location In the computer programming and digital signal processing DSP environment free open source program code are available for VB Net Delphi Python C C C PHP Swift ADM F Flash Basic QBasic GBasic KBasic SIMPL language Squirrel Solaris Assembly language on operating systems such as MS Windows Apple Mac DOS or Linux OS Software algorithms predicting position of the sun in the sky are commonly available as graphical programming platforms

such as Matlab Mathworks Simulink models Java applets TRNSYS simulations Scada system apps Labview module Beckhoff TwinCAT Visual Studio Siemens SPA mobile and iphone apps Android or iOS tablet apps and so forth At the same time PLC software code for a range of sun tracking automation technology can follow the profile of sun in sky for Siemens HP Panasonic ABB Allan Bradley OMRON SEW Festo Beckhoff Rockwell Schneider Endress Hauser Fuji electric Honeywell Fuchs Yokonawa or Mitsubishi platforms Sun path projection software are also available for a range of modular IPC embedded PC motherboards Industrial PC PLC Programmable Logic Controller and PAC Programmable Automation Controller such as the Siemens S7 1200 or Siemens Logo Beckhoff IPC or CX series OMRON PLC Ecam PLC AC500plc ABB National Instruments NI PXI or NI cRIO PIC processor Intel 8051 8085 IBM Cell Power Brain or Truenorth series FPGA Xilinx Altera Nios Intel Xeon Atmel megaAVR MPU Maple Teensy MSP XMOX Xbee ARM Raspberry Pi Eagle Arduino or Arduino AtMega microcontroller with servo motor stepper motor direct current DC pulse width modulation PWM current driver or alternating current AC SPS or IPC variable frequency drives VFD motor drives also termed adjustable frequency drive variable speed drive AC drive micro drive or inverter drive for electrical mechatronic pneumatic or hydraulic solar tracking actuators The above motion control and robot control systems include analogue or digital interfacing ports on the processors to allow for tracker angle orientation feedback control through one or a combination of angle sensor or angle encoder shaft encoder precision encoder optical encoder magnetic encoder direction encoder rotational encoder chip encoder tilt sensor inclination sensor or pitch sensor Note that the tracker s elevation or zenith axis angle may be measured using an altitude angle declination angle inclination angle pitch angle or vertical angle zenith angle sensor or inclinometer Similarly the tracker s azimuth axis angle may be measured with a azimuth angle horizontal angle or roll angle sensor Chip integrated accelerometer magnetometer gyroscope type angle sensors can also be used to calculate displacement Other options include the use of thermal imaging systems such as a Fluke thermal imager or robotic or vision based solar tracker systems that employ face tracking head tracking hand tracking eye tracking and car tracking principles in solar tracking With unattended decentralised rural island isolated or autonomous off grid power installations remote control monitoring data acquisition digital datalogging and online measurement and verification equipment becomes crucial It assists the operator with supervisory control to monitor the efficiency of remote renewable energy resources and systems and provide valuable web based feedback in terms of CO2 and clean development mechanism CDM reporting A power quality analyser for diagnostics through internet WiFi and cellular mobile links is most valuable in frontline troubleshooting and predictive maintenance where quick diagnostic analysis is required to detect and prevent power quality issues Solar tracker applications cover a wide spectrum of solar applications and solar assisted application including concentrated solar power generation solar desalination solar water purification solar steam generation solar electricity generation solar industrial process heat solar thermal heat storage solar food dryers solar water pumping hydrogen production from methane or

producing hydrogen and oxygen from water HHO through electrolysis Many patented or non patented solar apparatus include tracking in solar apparatus for solar electric generator solar desalinator solar steam engine solar ice maker solar water purifier solar cooling solar refrigeration USB solar charger solar phone charging portable solar charging tracker solar coffee brewing solar cooking or solar drying means Your project may be the next breakthrough or patent but your invention is held back by frustration in search for the sun tracker you require for your solar powered appliance solar generator solar tracker robot solar freezer solar cooker solar drier solar pump solar freezer or solar dryer project Whether your solar electronic circuit diagram include a simplified solar controller design in a solar electricity project solar power kit solar hobby kit solar steam generator solar hot water system solar ice maker solar desalinator hobbyist solar panels hobby robot or if you are developing professional or hobby electronics for a solar utility or micro scale solar powerplant for your own solar farm or solar farming this publication may help accelerate the development of your solar tracking innovation Lately solar polygeneration solar trigeneration solar triple generation and solar quad generation adding delivery of steam liquid gaseous fuel or capture food grade CO₂ systems have need for automatic solar tracking These systems are known for significant efficiency increases in energy yield as a result of the integration and re use of waste or residual heat and are suitable for compact packaged micro solar powerplants that could be manufactured and transported in kit form and operate on a plug and play basis Typical hybrid solar power systems include compact or packaged solar micro combined heat and power CHP or mCHP or solar micro combined cooling heating and power CCHP CHPC mCCHP or mCHPC systems used in distributed power generation These systems are often combined in concentrated solar CSP and CPV smart microgrid configurations for off grid rural island or isolated microgrid minigrid and distributed power renewable energy systems Solar tracking algorithms are also used in modelling of trigeneration systems using Matlab Simulink Modelica or TRNSYS platform as well as in automation and control of renewable energy systems through intelligent parsing multi objective adaptive learning control and control optimization strategies Solar tracking algorithms also find application in developing solar models for country or location specific solar studies for example in terms of measuring or analysis of the fluctuations of the solar radiation i e direct and diffuse radiation in a particular area Solar DNI solar irradiance and atmospheric information and models can thus be integrated into a solar map solar atlas or geographical information systems GIS Such models allows for defining local parameters for specific regions that may be valuable in terms of the evaluation of different solar in photovoltaic of CSP systems on simulation and synthesis platforms such as Matlab and Simulink or in linear or multi objective optimization algorithm platforms such as COMPOSE EnergyPLAN or DER CAM A dual axis solar tracker and single axis solar tracker may use a sun tracker program or sun tracker algorithm to position a solar dish solar panel array heliostat array PV panel solar antenna or infrared solar nantenna A self tracking solar concentrator performs automatic solar tracking by computing the solar vector Solar position algorithms TwinCAT SPA or PSA Algorithms use an astronomical algorithm to

calculate the position of the sun. It uses astronomical software algorithms and equations for solar tracking in the calculation of sun's position in the sky for each location on the earth at any time of day. Like an optical solar telescope, the solar position algorithm pinpoints the solar reflector at the sun and locks onto the sun's position to track the sun across the sky as the sun progresses throughout the day. Optical sensors such as photodiodes, light-dependent resistors (LDR) or photoresistors are used as optical accuracy feedback devices. Lately, we also included a section in the book with links to microprocessor code on how the PixArt Wii infrared camera in the Wii remote or Wiimote may be used in infrared solar tracking applications. In order to harvest free energy from the sun, some automatic solar positioning systems use an optical means to direct the solar tracking device. These solar tracking strategies use optical tracking techniques such as a sun sensor means to direct sun rays onto a silicon or CMOS substrate to determine the X and Y coordinates of the sun's position. In a solar mems sun sensor device, incident sunlight enters the sun sensor through a small pin hole in a mask plate where light is exposed to a silicon substrate. In a web camera or camera image processing, sun tracking and sun following means object tracking software performs multi-object tracking or moving object tracking methods. In an solar object tracking technique, image processing software performs mathematical processing to box the outline of the apparent solar disc or sun blob within the captured image frame while sun localization is performed with an edge detection algorithm to determine the solar vector coordinates. An automated positioning system helps maximize the yields of solar power plants through solar tracking control to harness sun's energy. In such renewable energy systems, the solar panel positioning system uses a sun tracking techniques and a solar angle calculator in positioning PV panels in photovoltaic systems and concentrated photovoltaic (CPV) systems. Automatic on-axis solar tracking in a PV solar tracking system can be dual-axis sun tracking or single-axis sun solar tracking. It is known that a motorized positioning system in a photovoltaic panel tracker increases energy yield and ensures increased power output even in a single-axis solar tracking configuration. Other applications such as robotic solar tracker or robotic solar tracking system uses robotics with artificial intelligence in the control optimization of energy yield in solar harvesting through a robotic tracking system. Automatic positioning systems in solar tracking designs are also used in other free energy generators such as concentrated solar thermal power (CSP) and dish Stirling systems. The sun tracking device in a solar collector in a solar concentrator or solar collector. Such performs on-axis solar tracking, a dual-axis solar tracker assists to harness energy from the sun through an optical solar collector which can be a parabolic mirror, parabolic reflector, Fresnel lens or mirror array matrix. A parabolic dish or reflector is dynamically steered using a transmission system or solar tracking slew drive mean. In steering the dish to face the sun, the power dish actuator and actuation means in a parabolic dish system optically focusses the sun's energy on the focal point of a parabolic dish or solar concentrating means. A Stirling engine, solar heat pipe, thermosyphon, solar phase change material (PCM) receiver or a fibre optic sunlight receiver means is located at the focal point of the solar concentrator. The dish Stirling engine configuration is referred to as a dish Stirling system or Stirling power.

generation system Hybrid solar power systems used in combination with biogas biofuel petrol ethanol diesel natural gas or PNG use a combination of power sources to harness and store solar energy in a storage medium Any multitude of energy sources can be combined through the use of controllers and the energy stored in batteries phase change material thermal heat storage and in cogeneration form converted to the required power using thermodynamic cycles organic Rankin Brayton cycle micro turbine Stirling with an inverter and charge controller

Practical Solar Tracking Automatic Solar Tracking Sun Tracking Автоматическое удержание Солнечная слежения ВС Gerro Prinsloo, Robert Dobson, 2015-11-01 This book details Practical Solar Energy Harvesting Automatic Solar Tracking Sun Tracking Systems Solar Trackers and Sun Tracker Systems using motorized automatic positioning concepts and control principles An intelligent automatic solar tracker is a device that orients a payload toward the sun Such programmable computer based solar tracking device includes principles of solar tracking solar tracking systems as well as microcontroller microprocessor and or PC based solar tracking control to orientate solar reflectors solar lenses photovoltaic panels or other optical configurations towards the sun Motorized space frames and kinematic systems ensure motion dynamics and employ drive technology and gearing principles to steer optical configurations such as mangin parabolic conic or cassegrain solar energy collectors to face the sun and follow the sun movement contour continuously In general the book may benefit solar research and solar energy applications in countries such as Africa Mediterranean Italy Spain Greece USA Mexico South America Brazilia Argentina Chili India Malaysia Middle East UAE Russia Japan and China This book on practical automatic Solar Tracking Sun Tracking is in PDF format and can easily be converted to the EPUB MOBI AZW ePub FB2 LIT LRF MOBI PDB PDF TCR formats for smartphones and Kindle by using the ebook online convert com facility The content of the book is also applicable to communication antenna satellite tracking and moon tracking algorithm source code for which links to free download links are provided In harnessing power from the sun through a solar tracker or practical solar tracking system renewable energy control automation systems require automatic solar tracking software and solar position algorithms to accomplish dynamic motion control with control automation architecture circuit boards and hardware On axis sun tracking system such as the altitude azimuth dual axis or multi axis solar tracker systems use a sun tracking algorithm or ray tracing sensors or software to ensure the sun s passage through the sky is traced with high precision in automated solar tracker applications right through summer solstice solar equinox and winter solstice A high precision sun position calculator or sun position algorithm is this an important step in the design and construction of an automatic solar tracking system From sun tracing software perspective the sonnet Tracing The Sun has a literal meaning Within the context of sun track and trace this book explains that the sun s daily path across the sky is directed by relatively simple principles and if grasped understood then it is relatively easy to trace the sun with sun following software Sun position computer software for tracing the sun are available as open source code sources that is listed in this book Ironically there was even a system called sun chaser said to

have been a solar positioner system known for chasing the sun throughout the day Using solar equations in an electronic circuit for automatic solar tracking is quite simple even if you are a novice but mathematical solar equations are over complicated by academic experts and professors in text books journal articles and internet websites In terms of solar hobbies scholars students and Hobbyist s looking at solar tracking electronics or PC programs for solar tracking are usually overcome by the sheer volume of scientific material and internet resources which leaves many developers in frustration when search for simple experimental solar tracking source code for their on axis sun tracking systems This booklet will simplify the search for the mystical sun tracking formulas for your sun tracker innovation and help you develop your own autonomous solar tracking controller By directing the solar collector directly into the sun a solar harvesting means or device can harness sunlight or thermal heat This is achieved with the help of sun angle formulas solar angle formulas or solar tracking procedures for the calculation of sun s position in the sky Automatic sun tracking system software includes algorithms for solar altitude azimuth angle calculations required in following the sun across the sky In using the longitude latitude GPS coordinates of the solar tracker location these sun tracking software tools supports precision solar tracking by determining the solar altitude azimuth coordinates for the sun trajectory in altitude azimuth tracking at the tracker location using certain sun angle formulas in sun vector calculations Instead of follow the sun software a sun tracking sensor such as a sun sensor or webcam or video camera with vision based sun following image processing software can also be used to determine the position of the sun optically Such optical feedback devices are often used in solar panel tracking systems and dish tracking systems Dynamic sun tracing is also used in solar surveying DNI analyser and sun surveying systems that build solar infographics maps with solar radiance irradiance and DNI models for GIS geographical information system In this way geospatial methods on solar environment interaction makes use use of geospatial technologies GIS Remote Sensing and Cartography Climatic data and weather station or weather center data as well as queries from sky servers and solar resource database systems i e on DB2 Sybase Oracle SQL MySQL may also be associated with solar GIS maps In such solar resource modelling systems a pyranometer or solarimeter is normally used in addition to measure direct and indirect scattered dispersed reflective radiation for a particular geographical location Sunlight analysis is important in flash photography where photographic lighting are important for photographers GIS systems are used by architects who add sun shadow applets to study architectural shading or sun shadow analysis solar flux calculations optical modelling or to perform weather modelling Such systems often employ a computer operated telescope type mechanism with ray tracing program software as a solar navigator or sun tracer that determines the solar position and intensity The purpose of this booklet is to assist developers to track and trace suitable source code and solar tracking algorithms for their application whether a hobbyist scientist technician or engineer Many open source sun following and tracking algorithms and source code for solar tracking programs and modules are freely available to download on the internet today Certain proprietary solar tracker kits and solar tracking

controllers include a software development kit SDK for its application programming interface API attributes Pebble Widget libraries widget toolkits GUI toolkit and UX libraries with graphical control elements are also available to construct the graphical user interface GUI for your solar tracking or solar power monitoring program The solar library used by solar position calculators solar simulation software and solar contour calculators include machine program code for the solar hardware controller which are software programmed into Micro controllers Programmable Logic Controllers PLC programmable gate arrays Arduino processor or PIC processor PC based solar tracking is also high in demand using C Visual Basic VB as well as MS Windows Linux and Apple Mac based operating systems for sun path tables on Matlab Excel Some books and internet webpages use other terms such as sun angle calculator sun position calculator or solar angle calculator As said such software code calculate the solar azimuth angle solar altitude angle solar elevation angle or the solar Zenith angle Zenith solar angle is simply referenced from vertical plane the mirror of the elevation angle measured from the horizontal or ground plane level Similar software code is also used in solar calculator apps or the solar power calculator apps for IOS and Android smartphone devices Most of these smartphone solar mobile apps show the sun path and sun angles for any location and date over a 24 hour period Some smartphones include augmented reality features in which you can physically see and look at the solar path through your cell phone camera or mobile phone camera at your phone s specific GPS location In the computer programming and digital signal processing DSP environment free open source program code are available for VB Net Delphi Python C C C PHP Swift ADM F Flash Basic QBasic GBasic KBasic SIMPL language Squirrel Solaris Assembly language on operating systems such as MS Windows Apple Mac DOS or Linux OS Software algorithms predicting position of the sun in the sky are commonly available as graphical programming platforms such as Matlab Mathworks Simulink models Java applets TRNSYS simulations Scada system apps Labview module Beckhoff TwinCAT Visual Studio Siemens SPA mobile and iphone apps Android or iOS tablet apps and so forth At the same time PLC software code for a range of sun tracking automation technology can follow the profile of sun in sky for Siemens HP Panasonic ABB Allan Bradley OMRON SEW Festo Beckhoff Rockwell Schneider Endress Hauser Fudji electric Honeywell Fuchs Yokonawa or Muthibishi platforms Sun path projection software are also available for a range of modular IPC embedded PC motherboards Industrial PC PLC Programmable Logic Controller and PAC Programmable Automation Controller such as the Siemens S7 1200 or Siemens Logo Beckhoff IPC or CX series OMRON PLC Ercam PLC AC500plc ABB National Instruments NI PXI or NI cRIO PIC processor Intel 8051 8085 IBM Cell Power Brain or Truenorth series FPGA Xilinx Altera Nios Intel Xeon Atmel megaAVR MPU Maple Teensy MSP XMOS Xbee ARM Raspberry Pi Eagle Arduino or Arduino AtMega microcontroller with servo motor stepper motor direct current DC pulse width modulation PWM current driver or alternating current AC SPS or IPC variable frequency drives VFD motor drives also termed adjustable frequency drive variable speed drive AC drive micro drive or inverter drive for electrical mechatronic pneumatic or hydraulic solar tracking actuators The above motion control

and robot control systems include analogue or digital interfacing ports on the processors to allow for tracker angle orientation feedback control through one or a combination of angle sensor or angle encoder shaft encoder precision encoder optical encoder magnetic encoder direction encoder rotational encoder chip encoder tilt sensor inclination sensor or pitch sensor Note that the tracker s elevation or zenith axis angle may measured using an altitude angle declination angle inclination angle pitch angle or vertical angle zenith angle sensor or inclinometer Similarly the tracker s azimuth axis angle be measured with a azimuth angle horizontal angle or roll angle sensor Chip integrated accelerometer magnetometer gyroscope type angle sensors can also be used to calculate displacement Other options include the use of thermal imaging systems such as a Fluke thermal imager or robotic or vision based solar tracker systems that employ face tracking head tracking hand tracking eye tracking and car tracking principles in solar tracking With unattended decentralised rural island isolated or autonomous off grid power installations remote control monitoring data acquisition digital datalogging and online measurement and verification equipment becomes crucial It assists the operator with supervisory control to monitor the efficiency of remote renewable energy resources and systems and provide valuable web based feedback in terms of CO₂ and clean development mechanism CDM reporting A power quality analyser for diagnostics through internet WiFi and cellular mobile links is most valuable in frontline troubleshooting and predictive maintenance where quick diagnostic analysis is required to detect and prevent power quality issues Solar tracker applications cover a wide spectrum of solar applications and solar assisted application including concentrated solar power generation solar desalination solar water purification solar steam generation solar electricity generation solar industrial process heat solar thermal heat storage solar food dryers solar water pumping hydrogen production from methane or producing hydrogen and oxygen from water HHO through electrolysis Many patented or non patented solar apparatus include tracking in solar apparatus for solar electric generator solar desalinator solar steam engine solar ice maker solar water purifier solar cooling solar refrigeration USB solar charger solar phone charging portable solar charging tracker solar coffee brewing solar cooking or solar dying means Your project may be the next breakthrough or patent but your invention is held back by frustration in search for the sun tracker you require for your solar powered appliance solar generator solar tracker robot solar freezer solar cooker solar drier solar pump solar freezer or solar dryer project Whether your solar electronic circuit diagram include a simplified solar controller design in a solar electricity project solar power kit solar hobby kit solar steam generator solar hot water system solar ice maker solar desalinator hobbyist solar panels hobby robot or if you are developing professional or hobby electronics for a solar utility or micro scale solar powerplant for your own solar farm or solar farming this publication may help accelerate the development of your solar tracking innovation Lately solar polygeneration solar trigeneration solar triple generation and solar quad generation adding delivery of steam liquid gaseous fuel or capture food grade CO₂ systems have need for automatic solar tracking These systems are known for significant efficiency increases in energy yield as a result of the integration and re use

of waste or residual heat and are suitable for compact packaged micro solar powerplants that could be manufactured and transported in kit form and operate on a plug and play basis Typical hybrid solar power systems include compact or packaged solar micro combined heat and power CHP or mCHP or solar micro combined cooling heating and power CCHP CHPC mCCHP or mCHPC systems used in distributed power generation These systems are often combined in concentrated solar CSP and CPV smart microgrid configurations for off grid rural island or isolated microgrid minigrid and distributed power renewable energy systems Solar tracking algorithms are also used in modelling of trigeneration systems using Matlab Simulink Modelica or TRNSYS platform as well as in automation and control of renewable energy systems through intelligent parsing multi objective adaptive learning control and control optimization strategies Solar tracking algorithms also find application in developing solar models for country or location specific solar studies for example in terms of measuring or analysis of the fluctuations of the solar radiation i e direct and diffuse radiation in a particular area Solar DNI solar irradiance and atmospheric information and models can thus be integrated into a solar map solar atlas or geographical information systems GIS Such models allows for defining local parameters for specific regions that may be valuable in terms of the evaluation of different solar in photovoltaic of CSP systems on simulation and synthesis platforms such as Matlab and Simulink or in linear or multi objective optimization algorithm platforms such as COMPOSE EnergyPLAN or DER CAM A dual axis solar tracker and single axis solar tracker may use a sun tracker program or sun tracker algorithm to position a solar dish solar panel array heliostat array PV panel solar antenna or infrared solar nantenna A self tracking solar concentrator performs automatic solar tracking by computing the solar vector Solar position algorithms TwinCAT SPA or PSA Algorithms use an astronomical algorithm to calculate the position of the sun It uses astronomical software algorithms and equations for solar tracking in the calculation of sun s position in the sky for each location on the earth at any time of day Like an optical solar telescope the solar position algorithm pin points the solar reflector at the sun and locks onto the sun s position to track the sun across the sky as the sun progresses throughout the day Optical sensors such as photodiodes light dependant resistors LDR or photoresistors are used as optical accuracy feedback devices Lately we also included a section in the book with links to microprocessor code on how the PixArt Wii infrared camera in the Wii remote or Wiimote may be used in infrared solar tracking applications In order to harvest free energy from the sun some automatic solar positioning systems use an optical means to direct the solar tracking device These solar tracking strategies use optical tracking techniques such as a sun sensor means to direct sun rays onto a silicon or CMOS substrate to determine the X and Y coordinates of the sun s position In a solar mems sun sensor device incident sunlight enters the sun sensor through a small pin hole in a mask plate where light is exposed to a silicon substrate In a web camera or camera image processing sun tracking and sun following means object tracking software performs multi object tracking or moving object tracking methods In an solar object tracking technique image processing software performs mathematical processing to box the outline of the apparent solar disc or sun

blob within the captured image frame while sun localization is performed with an edge detection algorithm to determine the solar vector coordinates An automated positioning system help maximize the yields of solar power plants through solar tracking control to harness sun s energy In such renewable energy systems the solar panel positioning system uses a sun tracking techniques and a solar angle calculator in positioning PV panels in photovoltaic systems and concentrated photovoltaic CPV systems Automatic on axis solar tracking in a PV solar tracking system can be dual axis sun tracking or single axis sun solar tracking It is known that a motorized positioning system in a photovoltaic panel tracker increase energy yield and ensures increased power output even in a single axis solar tracking configuration Other applications such as robotic solar tracker or robotic solar tracking system uses robotica with artificial intelligence in the control optimization of energy yield in solar harvesting through a robotic tracking system Automatic positioning systems in solar tracking designs are also used in other free energy generators such as concentrated solar thermal power CSP and dish Stirling systems The sun tracking device in a solar collector in a solar concentrator or solar collector Such a performs on axis solar tracking a dual axis solar tracker assists to harness energy from the sun through an optical solar collector which can be a parabolic mirror parabolic reflector Fresnel lens or mirror array matrix A parabolic dish or reflector is dynamically steered using a transmission system or solar tracking slew drive mean In steering the dish to face the sun the power dish actuator and actuation means in a parabolic dish system optically focusses the sun s energy on the focal point of a parabolic dish or solar concentrating means A Stirling engine solar heat pipe thermosyphin solar phase change material PCM receiver or a fibre optic sunlight receiver means is located at the focal point of the solar concentrator The dish Stirling engine configuration is referred to as a dish Stirling system or Stirling power generation system Hybrid solar power systems used in combination with biogas biofuel petrol ethanol diesel natural gas or PNG use a combination of power sources to harness and store solar energy in a storage medium Any multitude of energy sources can be combined through the use of controllers and the energy stored in batteries phase change material thermal heat storage and in cogeneration form converted to the required power using thermodynamic cycles organic Rankin Brayton cycle micro turbine Stirling with an inverter and charge controller Solar Tracking Tracking Systems Solar Tracker Systems Tracker PC

Mechanical Engineers' Handbook: Instrumentation, systems, controls, and MEMS Myer Kutz,2006 A single source for mechanical engineers offering all the critical information they require

Sun Tracking and Solar Renewable Energy Harvesting Gerro Prinsloo,Robert Dobson,2015-11-02 Free to download eBook on Practical Solar Tracking Design Solar Tracking Sun Tracking Sun Tracker Solar Tracker Follow Sun Sun Position calculation Azimuth Elevation Zenith Sun following Sunrise Sunset Moon phase Moonrise Moonset calculators In harnessing power from the sun through a solar tracker or solar tracking system renewable energy system developers require automatic solar tracking software and solar position algorithms On axis sun tracking system such as the altitude azimuth dual axis or multi axis solar tracker systems use a sun tracking algorithm or ray tracing

sensors or software to ensure the sun's passage through the sky is traced with high precision in automated solar tracker applications right through summer solstice solar equinox and winter solstice Eco Friendly and Environmentally Sustainable Micro Combined Solar Heat and Power m CHP m CCHP m CHCP with Microgrid Storage and Layered Smartgrid Control towards Supplying Off Grid Rural Villages in developing BRICS countries such as Africa India China and Brazil Off grid rural villages and isolated islands areas require mCHP and trigeneration solar power plants and associated isolated smart microgrid solutions to serve the community energy needs This article describes the development progress for such a system also referred to as solar polygeneration The system includes a sun tracker mechanism wherein a parabolic dish or lenses are guided by a light sensitive mechanism in a way that the solar receiver is always at right angle to the solar radiation Solar thermal energy is then either converted into electrical energy through a free piston Stirling or stored in a thermal storage container The project includes the thermodynamic modeling of the plant in Matlab Simulink as well as the development of an intelligent control approach that includes smart microgrid distribution and optimization The book includes aspects in the simulation and optimization of stand alone hybrid renewable energy systems and co generation in isolated or islanded microgrids It focusses on the stepwise development of a hybrid solar driven micro combined cooling heating and power mCCHP compact trigeneration polygeneration and thermal energy storage TES system with intelligent weather prediction weak ahead scheduling time horizon and look ahead dispatch on integrated smart microgrid distribution principles The solar harvesting and solar thermodynamic system includes an automatic sun tracking platform based on a PLC controlled mechatronic sun tracking system that follows the sun progressing across the sky An intelligent energy management and adaptive learning control optimization approach is proposed for autonomous off grid remote power applications both for thermodynamic optimization and smart micro grid optimization for distributed energy resources DER The correct resolution of this load following multi objective optimization problem is a complex task because of the high number and multi dimensional variables the cross correlation and interdependency between the energy streams as well as the non linearity in the performance of some of the system components Exergy based control approaches for smartgrid topologies are considered in terms of the intelligence behind the safe and reliable operation of a microgrid in an automated system that can manage energy flow in electrical as well as thermal energy systems The standalone micro grid solution would be suitable for a rural village intelligent building district energy system campus power shopping mall centre isolated network eco estate or remote island application setting where self generation and decentralized energy system concepts play a role Discrete digital simulation models for the thermodynamic and active demand side management systems with digital smartgrid control unit to optimize the system energy management is currently under development Parametric simulation models for this trigeneration system polygeneration poligeneration quadgeneration are developed on the Matlab Simulink and TrnSys platforms In terms of model predictive coding strategies the automation controller will perform multi objective cost optimization for energy

management on a microgrid level by managing the generation and storage of electrical heat and cooling energies in layers. Each layer has its own set of smart microgrid priorities associated with user demand side cycle predictions. Mixed Integer Linear Programming and Neural network algorithms are being modeled to perform Multi Objective Control optimization as potential optimization and adaptive learning techniques.

Energy Research Abstracts, 1977 Semiannual with semiannual and annual indexes. References to all scientific and technical literature coming from DOE its laboratories energy centers and contractors. Includes all works deriving from DOE other related government sponsored information and foreign nonnuclear information. Arranged under 39 categories e.g. Biomedical sciences basic studies Biomedical sciences applied studies Health and safety and Fusion energy. Entry gives bibliographical information and abstract. Corporate author subject report number indexes.

Unveiling the Power of Verbal Art: An Emotional Sojourn through **Instrumentation And Control Tutorial 2 Electric Actuators**

In some sort of inundated with displays and the cacophony of instant transmission, the profound energy and psychological resonance of verbal beauty often diminish in to obscurity, eclipsed by the continuous onslaught of noise and distractions. However, nestled within the lyrical pages of **Instrumentation And Control Tutorial 2 Electric Actuators**, a captivating function of literary brilliance that impulses with fresh thoughts, lies an unforgettable journey waiting to be embarked upon. Composed with a virtuoso wordsmith, this magical opus instructions readers on a mental odyssey, delicately exposing the latent possible and profound impact embedded within the intricate internet of language. Within the heart-wrenching expanse of the evocative analysis, we will embark upon an introspective exploration of the book is central subjects, dissect its fascinating publishing style, and immerse ourselves in the indelible impression it leaves upon the depths of readers souls.

https://py.bijouxmedusa.com/data/detail/Download_PDFS/Finance%20Tips%20United%20States%2091%202980%20Personal%20Finance%20Tips%20For.pdf

Table of Contents Instrumentation And Control Tutorial 2 Electric Actuators

1. Understanding the eBook Instrumentation And Control Tutorial 2 Electric Actuators
 - The Rise of Digital Reading Instrumentation And Control Tutorial 2 Electric Actuators
 - Advantages of eBooks Over Traditional Books
2. Identifying Instrumentation And Control Tutorial 2 Electric Actuators
 - Exploring Different Genres
 - Considering Fiction vs. Non-Fiction
 - Determining Your Reading Goals
3. Choosing the Right eBook Platform
 - Popular eBook Platforms
 - Features to Look for in an Instrumentation And Control Tutorial 2 Electric Actuators
 - User-Friendly Interface

4. Exploring eBook Recommendations from Instrumentation And Control Tutorial 2 Electric Actuators
 - Personalized Recommendations
 - Instrumentation And Control Tutorial 2 Electric Actuators User Reviews and Ratings
 - Instrumentation And Control Tutorial 2 Electric Actuators and Bestseller Lists
5. Accessing Instrumentation And Control Tutorial 2 Electric Actuators Free and Paid eBooks
 - Instrumentation And Control Tutorial 2 Electric Actuators Public Domain eBooks
 - Instrumentation And Control Tutorial 2 Electric Actuators eBook Subscription Services
 - Instrumentation And Control Tutorial 2 Electric Actuators Budget-Friendly Options
6. Navigating Instrumentation And Control Tutorial 2 Electric Actuators eBook Formats
 - ePub, PDF, MOBI, and More
 - Instrumentation And Control Tutorial 2 Electric Actuators Compatibility with Devices
 - Instrumentation And Control Tutorial 2 Electric Actuators Enhanced eBook Features
7. Enhancing Your Reading Experience
 - Adjustable Fonts and Text Sizes of Instrumentation And Control Tutorial 2 Electric Actuators
 - Highlighting and Note-Taking Instrumentation And Control Tutorial 2 Electric Actuators
 - Interactive Elements Instrumentation And Control Tutorial 2 Electric Actuators
8. Staying Engaged with Instrumentation And Control Tutorial 2 Electric Actuators
 - Joining Online Reading Communities
 - Participating in Virtual Book Clubs
 - Following Authors and Publishers Instrumentation And Control Tutorial 2 Electric Actuators
9. Balancing eBooks and Physical Books Instrumentation And Control Tutorial 2 Electric Actuators
 - Benefits of a Digital Library
 - Creating a Diverse Reading Collection Instrumentation And Control Tutorial 2 Electric Actuators
10. Overcoming Reading Challenges
 - Dealing with Digital Eye Strain
 - Minimizing Distractions
 - Managing Screen Time
11. Cultivating a Reading Routine Instrumentation And Control Tutorial 2 Electric Actuators
 - Setting Reading Goals Instrumentation And Control Tutorial 2 Electric Actuators
 - Carving Out Dedicated Reading Time

12. Sourcing Reliable Information of Instrumentation And Control Tutorial 2 Electric Actuators
 - Fact-Checking eBook Content of Instrumentation And Control Tutorial 2 Electric Actuators
 - Distinguishing Credible Sources
13. Promoting Lifelong Learning
 - Utilizing eBooks for Skill Development
 - Exploring Educational eBooks
14. Embracing eBook Trends
 - Integration of Multimedia Elements
 - Interactive and Gamified eBooks

Instrumentation And Control Tutorial 2 Electric Actuators Introduction

In the digital age, access to information has become easier than ever before. The ability to download Instrumentation And Control Tutorial 2 Electric Actuators has revolutionized the way we consume written content. Whether you are a student looking for course material, an avid reader searching for your next favorite book, or a professional seeking research papers, the option to download Instrumentation And Control Tutorial 2 Electric Actuators has opened up a world of possibilities. Downloading Instrumentation And Control Tutorial 2 Electric Actuators provides numerous advantages over physical copies of books and documents. Firstly, it is incredibly convenient. Gone are the days of carrying around heavy textbooks or bulky folders filled with papers. With the click of a button, you can gain immediate access to valuable resources on any device. This convenience allows for efficient studying, researching, and reading on the go. Moreover, the cost-effective nature of downloading Instrumentation And Control Tutorial 2 Electric Actuators has democratized knowledge. Traditional books and academic journals can be expensive, making it difficult for individuals with limited financial resources to access information. By offering free PDF downloads, publishers and authors are enabling a wider audience to benefit from their work. This inclusivity promotes equal opportunities for learning and personal growth. There are numerous websites and platforms where individuals can download Instrumentation And Control Tutorial 2 Electric Actuators. These websites range from academic databases offering research papers and journals to online libraries with an expansive collection of books from various genres. Many authors and publishers also upload their work to specific websites, granting readers access to their content without any charge. These platforms not only provide access to existing literature but also serve as an excellent platform for undiscovered authors to share their work with the world. However, it is essential to be cautious while downloading Instrumentation And Control Tutorial 2 Electric Actuators. Some websites may offer pirated or illegally obtained copies of copyrighted material. Engaging in such activities not only violates copyright laws but also undermines the efforts of

authors, publishers, and researchers. To ensure ethical downloading, it is advisable to utilize reputable websites that prioritize the legal distribution of content. When downloading Instrumentation And Control Tutorial 2 Electric Actuators, users should also consider the potential security risks associated with online platforms. Malicious actors may exploit vulnerabilities in unprotected websites to distribute malware or steal personal information. To protect themselves, individuals should ensure their devices have reliable antivirus software installed and validate the legitimacy of the websites they are downloading from. In conclusion, the ability to download Instrumentation And Control Tutorial 2 Electric Actuators has transformed the way we access information. With the convenience, cost-effectiveness, and accessibility it offers, free PDF downloads have become a popular choice for students, researchers, and book lovers worldwide. However, it is crucial to engage in ethical downloading practices and prioritize personal security when utilizing online platforms. By doing so, individuals can make the most of the vast array of free PDF resources available and embark on a journey of continuous learning and intellectual growth.

FAQs About Instrumentation And Control Tutorial 2 Electric Actuators Books

How do I know which eBook platform is the best for me? Finding the best eBook platform depends on your reading preferences and device compatibility. Research different platforms, read user reviews, and explore their features before making a choice. Are free eBooks of good quality? Yes, many reputable platforms offer high-quality free eBooks, including classics and public domain works. However, make sure to verify the source to ensure the eBook credibility. Can I read eBooks without an eReader? Absolutely! Most eBook platforms offer webbased readers or mobile apps that allow you to read eBooks on your computer, tablet, or smartphone. How do I avoid digital eye strain while reading eBooks? To prevent digital eye strain, take regular breaks, adjust the font size and background color, and ensure proper lighting while reading eBooks. What the advantage of interactive eBooks? Interactive eBooks incorporate multimedia elements, quizzes, and activities, enhancing the reader engagement and providing a more immersive learning experience. Instrumentation And Control Tutorial 2 Electric Actuators is one of the best book in our library for free trial. We provide copy of Instrumentation And Control Tutorial 2 Electric Actuators in digital format, so the resources that you find are reliable. There are also many Ebooks of related with Instrumentation And Control Tutorial 2 Electric Actuators. Where to download Instrumentation And Control Tutorial 2 Electric Actuators online for free? Are you looking for Instrumentation And Control Tutorial 2 Electric Actuators PDF? This is definitely going to save you time and cash in something you should think about. If you trying to find then search around for online. Without a doubt there are numerous these available and many of them have the freedom. However without doubt you receive whatever you purchase. An alternate way to get ideas is always to check another Instrumentation And

Control Tutorial 2 Electric Actuators. This method for see exactly what may be included and adopt these ideas to your book. This site will almost certainly help you save time and effort, money and stress. If you are looking for free books then you really should consider finding to assist you try this. Several of Instrumentation And Control Tutorial 2 Electric Actuators are for sale to free while some are payable. If you arent sure if the books you would like to download works with for usage along with your computer, it is possible to download free trials. The free guides make it easy for someone to free access online library for download books to your device. You can get free download on free trial for lots of books categories. Our library is the biggest of these that have literally hundreds of thousands of different products categories represented. You will also see that there are specific sites catered to different product types or categories, brands or niches related with Instrumentation And Control Tutorial 2 Electric Actuators. So depending on what exactly you are searching, you will be able to choose e books to suit your own need. Need to access completely for Campbell Biology Seventh Edition book? Access Ebook without any digging. And by having access to our ebook online or by storing it on your computer, you have convenient answers with Instrumentation And Control Tutorial 2 Electric Actuators To get started finding Instrumentation And Control Tutorial 2 Electric Actuators, you are right to find our website which has a comprehensive collection of books online. Our library is the biggest of these that have literally hundreds of thousands of different products represented. You will also see that there are specific sites catered to different categories or niches related with Instrumentation And Control Tutorial 2 Electric Actuators So depending on what exactly you are searching, you will be able tochoose ebook to suit your own need. Thank you for reading Instrumentation And Control Tutorial 2 Electric Actuators. Maybe you have knowledge that, people have search numerous times for their favorite readings like this Instrumentation And Control Tutorial 2 Electric Actuators, but end up in harmful downloads. Rather than reading a good book with a cup of coffee in the afternoon, instead they juggled with some harmful bugs inside their laptop. Instrumentation And Control Tutorial 2 Electric Actuators is available in our book collection an online access to it is set as public so you can download it instantly. Our digital library spans in multiple locations, allowing you to get the most less latency time to download any of our books like this one. Merely said, Instrumentation And Control Tutorial 2 Electric Actuators is universally compatible with any devices to read.

Find Instrumentation And Control Tutorial 2 Electric Actuators :

[finance tips United States 91-2980](#) [personal finance tips for 91-324](#) [AI marketing best practices for creators 91-1247](#) [AI marketing for beginners USA 91-1141](#) [stock market guide United States 91-1989](#) [stock 91-674](#) [SEO strategy checklist United States 91-2031](#) [SEO strategy healthy recipes software for entrepreneurs 91-2330](#) [healthy recipes](#)

[affiliate marketing comparison USA 91-2949](#) [affiliate marketing step by step for creators 91-2016](#) [fitness routines step by step for USA 91-2983](#) [content marketing tutorial for entrepreneurs 91-1923](#) [content tips United States 91-2783](#) [cybersecurity tips for creators 91-1130](#) [routines roadmap USA 91-1787](#) [fitness routines roadmap United States for startups 91-2582](#) [small business ideas best practices America 91-2112](#) [91-1897](#) [side hustles checklist for entrepreneurs 91-2409](#) [side hustles lifestyle strategies for creators 91-2487](#) [minimalist lifestyle luxury travel best practices for creators 91-1147](#) [luxury travel best travel strategies for entrepreneurs 91-1651](#) [budget travel tips United](#)

Instrumentation And Control Tutorial 2 Electric Actuators :

sweet soul music rhythm and blues and the southern dream of - Jul 02 2022

web sweet soul music is the history of one of the most remarkable periods in american popular culture it is the story of soul born in the late 1950s when black rhythm and blues singers began to adopt the sound of gospel working their *sweet soul music rhythm and blues and the southern dream of* - Aug 03 2022

web it is the story of soul born in the late 1950s when black rhythm and blues singers began to adopt the sound of gospel working their audiences with the fervid passion of preachers here

[sweet soul music rhythm and blues and the southern dream of](#) - Aug 15 2023

web sweet soul music rhythm and blues and the southern dream of freedom by guralnick peter publication date 1999 publisher boston back bay books collection inlibrary printdisabled internetarchivebooks

sweet soul music rhythm and blues and the southern dream of - Apr 30 2022

web sweet soul music rhythm and blues and the southern dream of freedom guralnick peter published by harper row 1986 isbn 10 0060155140 isbn 13 9780060155148 new hardcover quantity 1 seller librarymercantile humble tx u s a

sweet soul music rhythm and blues and the southern dre - May 12 2023

web sweet soul music rhythm and blues and the southern dream of freedom by peter guralnick harper row 1986 784 530975 brings a lot of the down and dirty flavor of stax records macon georgia and the chitlin circuit of the deep south at the time that soul music went mainstream james brown otis redding wilson pickett and little richard

sweet soul music rhythm and blues and the southern dream of - Oct 05 2022

web sweet soul music profiles the legendary artists among them sam cook ray charles aretha franklin otis redding and al

green who merged gospel and rhythm and blues the best history of 60s soul music sooner or later it is going to be recognized as a classic the time to read it is now robert palmer new york times 175 photos

sweet soul music enhanced edition rhythm and blues and the southern - Mar 10 2023

web nov 4 2014 sweet soul music rhythm and blues and the southern dream of freedom user review not available book

verdict a definitive chronicle of one of the great creative periods in american pop

sweet soul music rhythm and blues and the southern dream - Jan 08 2023

web may 2 2002 0 reviews reviews aren t verified but google checks for and removes fake content when it s identified in a narrative that captures all the tumult and liberating energy of a country in division

sweet soul music rhythm and blues and the southern dream of - Apr 11 2023

web sweet soul music rhythm and blues and the southern dream of freedom by guralnick peter publication date 1986 topics rhythm and blues music southern states history and criticism publisher new york harper row

sweet soul music wikipedia - Jun 01 2022

web sweet soul music single by arthur conley from the album sweet soul music b side let s go steady released 1967 recorded fame studios muscle shoals alabama january 1967 genre soul rhythm and blues length 2 20 label atco songwriter s sam cooke arthur conley and otis redding sweet soul music is a soul song first

sweet soul music rhythm and blues and the southern dream of - Feb 09 2023

web dec 20 2012 a gripping narrative that captures the tumult and liberating energy of a nation in transition sweet soul music is an intimate portrait of the legendary performers sam cooke ray charles

peter guralnick - Jan 28 2022

web now available in ebook and enhanced ebook a gripping narrative that captures the tumult and liberating energy of a nation in transition sweet soul music is an intimate portrait of the legendary performers sam cooke ray charles james brown solomon burke aretha franklin otis redding and al green among them who merged gospel and rhythm

sweet soul music rhythm and blues and the southern dream of - Dec 07 2022

web sweet soul music rhythm and blues and the southern dream of freedom by peter guralnick new york harper row 1986 while peter guralnick established his credentials with his early writings on blues and rock n roll sweet soul music revealed him to be also be an astute observer and analyst of soul music

sweet soul music rhythm and blues and the southern dream of - Jun 13 2023

web sweet soul music rhythm and blues and the southern dream of freedom by guralnick peter

sweet soul music rhythm and blues and the southern dream of - Nov 06 2022

web jul 22 2021 sweet soul music rhythm and blues and the southern dream of freedom by peter guralnick 4 24 rating

details 2 250 ratings 76 reviews

sweet soul music rhythm and blues and the southern dream of freedom - Jul 14 2023

web jul 1 1999 a gripping narrative that captures the tumult and liberating energy of a nation in transition sweet soul music is an intimate portrait of the legendary performers sam cooke ray charles james brown solomon burke aretha franklin otis redding and al green among them who merged gospel and rhythm and blues to create southern

sweet soul music rhythm and blues and the southern dream of freedom - Dec 27 2021

web in a narrative that captures all the tumult and liberating energy of a country in division and transition sweet soul music is the story of the birth of modern rhythm and blues guralnick records the rise and fall of stax records the memphis powerhouse label that produced a string of classics from the likes of otis redding and booker t and the

sweet soul music rhythm and blues and the southern dream of - Feb 26 2022

web a gripping narrative that captures the tumult and liberating energy of a nation in transition sweet soul music is an intimate portrait of the legendary performers sam cooke ray charles james brown solomon burke aretha franklin otis redding and al green among them who merged gospel and rhythm and blues to create southern soul music

sweet soul music rhythm and blues and the southern dream - Mar 30 2022

web sweet soul music rhythm and blues and the southern dream of freedom paperback 26 sept 1991 traces the history of soul music from the 1950s when rhythm and blues singers began to adopt the sound of gospel and throughout the next 10 years began to reach an unprecedentedly wide audience

sweet soul music rhythm and blues and the southern dream of - Sep 04 2022

web a gripping narrative that captures the tumult and liberating energy of a nation in transition sweet soul music is an intimate portrait of the legendary performers sam cooke ray charles james brown solomon burke aretha franklin otis redding and al green among them who merged gospel and rhythm and blues to create southern soul music

the practice of social research hardcover 1 jan 2012 - Oct 05 2022

web jan 1 2012 only 1 left in stock a straightforward comprehensive and approachable guide to research as practiced by social scientists the thirteenth edition of babbie s gold standard text gives you the tools you need to apply research concepts practically as both a researcher and a consumer

the practice of social research worldcat org - May 12 2023

web summary a straightforward comprehensive and approachable guide to research as practiced by social scientists the thirteenth edition of babbie s gold standard text gives you the tools you need to apply research concepts practically as *the practice of social research by earl r babbie open library* - Aug 03 2022

web dec 31 2022 this best selling book emphasizes the research process by demonstrating how to design research studies

introducing the various observation modes in use today and answering questions about research methods such as how to conduct online surveys and analyze both qualitative and quantitative data

the practice of social research earl babbie google books - Jul 02 2022

web feb 3 2009 earl babbie cengage learning feb 3 2009 science 624 pages known throughout academia as the gold standard of research methods texts the practice of social research 12th edition is a

the practice of social research earl r babbie google books - Jan 08 2023

web the practice of social research earl r babbie wadsworth thomson learning 2001 social sciences 498 pages in this edition of the most comprehensive authoritative research methods text on the market earl babbie offers the most cutting edge and thorough revision ever

the practice of social research worldcat org - Dec 27 2021

web the practice of social research 40 reviews author earl r babbie author summary packed with hands on applications babbie s the practice of social research 15th edition equips your students with the tools they need to practically apply research concepts as both researchers and consumers

the practice of social research earl r babbie google books - Jun 01 2022

web may 22 2020 packed with hands on applications babbie s the practice of social research 15th edition equips your students with the tools they need to practically apply research concepts as both

the practice of social research book 2013 worldcat org - Nov 06 2022

web the practice of social research belmont calif cengage wadsworth 2013 a straightforward comprehensive and approachable guide to research as practiced by social scientists the thirteenth edition of babbie s gold standard text gives you the tools you need to apply research concepts practically as both a researcher and a consumer

the practice of social research earl r babbie google books - Mar 10 2023

web mar 26 2020 the practice of social research earl r babbie cengage learning mar 26 2020 social science 592 pages known as the gold standard for research methods babbie s the practice of social

[the practice of social research by earl r babbie open library](#) - Sep 04 2022

web dec 31 2022 this best selling book emphasizes the research process by demonstrating how to design research studies introducing the various observation modes in use today and answering questions about research methods such as how to conduct online surveys and analyze both qualitative and quantitative data

practice of social research 13th edition textbooks com - Feb 26 2022

web a straightforward comprehensive and approachable guide to research as practiced by social scientists the thirteenth edition of babbie s gold standard text gives you the tools you need to apply research concepts practically as both a

researcher and a consumer

the practice of social research babbie earl r free download - Apr 11 2023

web this best selling book emphasizes the research process by demonstrating how to design research studies introducing the various observation modes in use today and answering questions about research methods such as how to conduct online surveys and analyze both qualitative and quantitative data

the practice of social research 13th edition amazon com - Jul 14 2023

web jan 1 2012 a straightforward comprehensive and approachable guide to research as practiced by social scientists the thirteenth edition of babbie s gold standard text gives you the tools you need to apply research concepts practically as [the practice of social research earl r babbie google books](#) - Jan 28 2022

web by emphasizing an understanding of the theoretical logic behind the research process and preferred techniques the practice of social research 7th helps students see methods as a way of thinking and gathering evidence using an informal conversational writing style babbie diffuses student anxiety by delivering clear practical example filled discussions

the practice of social research babbie earl r free download - Feb 09 2023

web english xxiii 584 pages 24 cm a straightforward comprehensive and approachable guide to research as practiced by social scientists the thirteenth edition of babbie s gold standard text gives you the tools you need to apply research concepts practically as both a researcher and a consumer

the practice of social research earl r babbie google books - Mar 30 2022

web jan 1 2015 the practice of social research earl r babbie cengage learning jan 1 2015 science 592 pages the fourteenth edition of babbie s the practice of social research gives students the tools they need to apply research concepts practically as both researchers and consumers

the practice of social research by earl r babbie open library - Jun 13 2023

web dec 14 2022 the practice of social research by earl r babbie 2013 wadsworth cengage learning edition in english 13th ed

the practice of social research earl r babbie google books - Aug 15 2023

web aug 8 2012 the thirteenth edition of babbie s the practice of social research gives students the tools they need to apply research concepts practically as both researchers and consumers known as

the practice of social research 13th edition hardcover - Dec 07 2022

web about this edition a straightforward comprehensive and approachable guide to research as practiced by social scientists the thirteenth edition of babbie s gold standard text gives you the tools you need to apply research concepts practically as both a researcher and a consumer

[the practice of social research rent 9781133049791 chegg](#) - Apr 30 2022

web jan 1 2012 rent the practice of social research 13th edition 978 1133049791 today or search our site for other textbooks by earl r babbie every textbook comes with a 21 day any reason guarantee published by cengage learning the practice of social research 13th edition solutions are available for this textbook

les aventures de monsieur urbain book - Nov 11 2022

les aventures de monsieur urbain dec 23 2020 dans cet ouvrage jean pierre charbonneau relate sans fioritures ni faux semblants les moments qui ont jalonné sa vie professionnelle cherchant à transmettre son expérience et à décrire sa méthode de travail son approche participative de la concertation et son souci de faire beaucoup avec

city adventures les héros de la ville saison 2 Épisode 1 tv - Mar 03 2022

mini par leur taille mais maxi par leurs aventures les célèbres figurines que les enfants adorent prennent vie la police et les pompiers vont devoir venir

les aventures de monsieur urbain charbonneau jean - Mar 15 2023

nov 6 2019 la librairie gallimard vous renseigne sur les aventures de monsieur urbain de l auteur charbonneau jean pierre 9782815936699 vous êtes informés sur sa disponibilité son prix ses données techniques vous pouvez le commander en ajoutant ce livre à

les aventures de monsieur urbain librairie eyrolles - Jun 06 2022

dans cet ouvrage jean pierre charbonneau relate sans fioritures ni faux semblants les moments qui ont jalonné sa vie professionnelle cherchant à transmettre son expérience et à décrire sa méthode de travail son approche

[les aventures de monsieur urbain jean pierre](#) - Feb 02 2022

dans cet ouvrage jean pierre charbonneau relate sans fioritures ni faux semblants les moments qui ont jalonné sa vie professionnelle cherchant à transmettre son expérience et à décrire sa méthode de travail son approche participative de la concertation et son souci de faire beaucoup avec peu il mêle analyses fouillées comptes

[les aventures de monsieur urbain jean pierre](#) - May 17 2023

dans cet ouvrage jean pierre charbonneau relate sans fioritures ni faux semblants les moments qui ont jalonné sa vie professionnelle cherchant à transmettre son expérience et à décrire sa méthode de travail son approche participative de la concertation et son souci de faire beaucoup avec peu il mêle analyses fouillées comptes

les aventures de monsieur urbain jean pierre charbonneau - Sep 09 2022

les aventures de monsieur urbain par jean pierre charbonneau aux éditions editions de l aube dans cet ouvrage jean pierre charbonneau relate sans fioritures ni faux semblants les moments qui ont jalonné sa vie professionnelle

les aventures de monsieur urbain par jean pierre - Oct 10 2022

les aventures de monsieur urbain recueil de textes d interventions d articles de fond et de confessions dans lesquels l urbaniste r

les aventures de monsieur urbain scholarvox omneseducation - Aug 08 2022

par le biais de ce rassemblement de textes d intervention parfois très polémiques d articles de fond et d éléments plus personnels il propose un livre original cohérent avec son approche atypique du métier d urbaniste approche qu il explique par la diversité des enjeux et des niveaux de compréhension et d action

les aventures de monsieur urbain scholarvox omneseducation - Jul 07 2022

par le biais de ce rassemblement de textes d intervention parfois très polémiques d articles de fond et d éléments plus personnels il propose un livre original cohérent avec son approche atypique du métier d urbaniste approche qu il explique par la diversité des enjeux et des niveaux de compréhension et d action

les aventures de monsieur urbain jean pierre charbonneau - May 05 2022

nov 7 2019 par le biais de ce rassemblement de textes d intervention parfois très polémiques d articles de fond et d éléments plus personnels il propose un livre original cohérent avec son

les aventures de monsieur urbain Éditeur engagé auteurs - Aug 20 2023

nov 7 2019 dans cet ouvrage jean pierre charbonneau relate sans fioritures ni faux semblants les moments qui ont jalonné sa vie professionnelle cherchant à transmettre son expérience et à décrire sa méthode de travail son approche participative de la concertation et son souci de lire la suite

les aventures de monsieur urbain broché fnac - Jul 19 2023

nov 7 2019 les aventures de monsieur urbain feuilletter format broché broché 23 ebook epub 15 99 offres sur ce produit carte fnac à 7 99 résumé voir tout dans cet ouvrage jean pierre charbonneau relate sans fioritures ni faux semblants les moments qui ont jalonné sa vie professionnelle

les aventures de monsieur urbain grand format decitre - Feb 14 2023

nov 7 2019 les aventures de monsieur urbain de jean pierre charbonneau collection bibliothèque des territoires livraison gratuite à 0 01 dès 35 d achat librairie decitre votre prochain livre est là

les aventures de monsieur urbain jean pierre charbonneau - Dec 12 2022

nov 7 2019 les aventures de monsieur urbain de plongez vous dans le livre jean pierre charbonneau au format grand format ajoutez le à votre liste de souhaits ou abonnez vous à l auteur jean pierre charbonneau livraison gratuite à 0 01 dès 35 d achat furet du nord

les aventures de monsieur urbain google play - Jun 18 2023

les aventures de monsieur urbain ebook written by jean pierre charbonneau read this book using google play books app on

your pc android ios devices download for offline reading highlight bookmark or take notes while you read les aventures de monsieur urbain

urbain monsieur facebook - Apr 04 2022

urbain monsieur is on facebook join facebook to connect with urbain monsieur and others you may know facebook gives people the power to share and makes the world more open and connected

les aventures de monsieur urbain kobo com - Apr 16 2023

lisez les aventures de monsieur urbain de jean pierre charbonneau disponible chez rakuten kobo dans cet ouvrage jean pierre charbonneau relate sans fioritures ni faux semblants les moments qui ont jalonné sa vie

les aventures de monsieur urbain bibliotheque des - Sep 21 2023

les aventures de monsieur urbain bibliotheque des territoires charbonneau jean pierre amazon com tr kitap

les aventures de monsieur urbain jean pierre - Jan 13 2023

dans cet ouvrage jean pierre charbonneau relate sans fioritures ni faux semblants les moments qui ont jalonné sa vie professionnelle cherchant à transmettre son expérience et à décrire sa méthode de travail son approche participative de la concertation et son souci de faire beaucoup avec peu il mêle analyses fouillées comptes