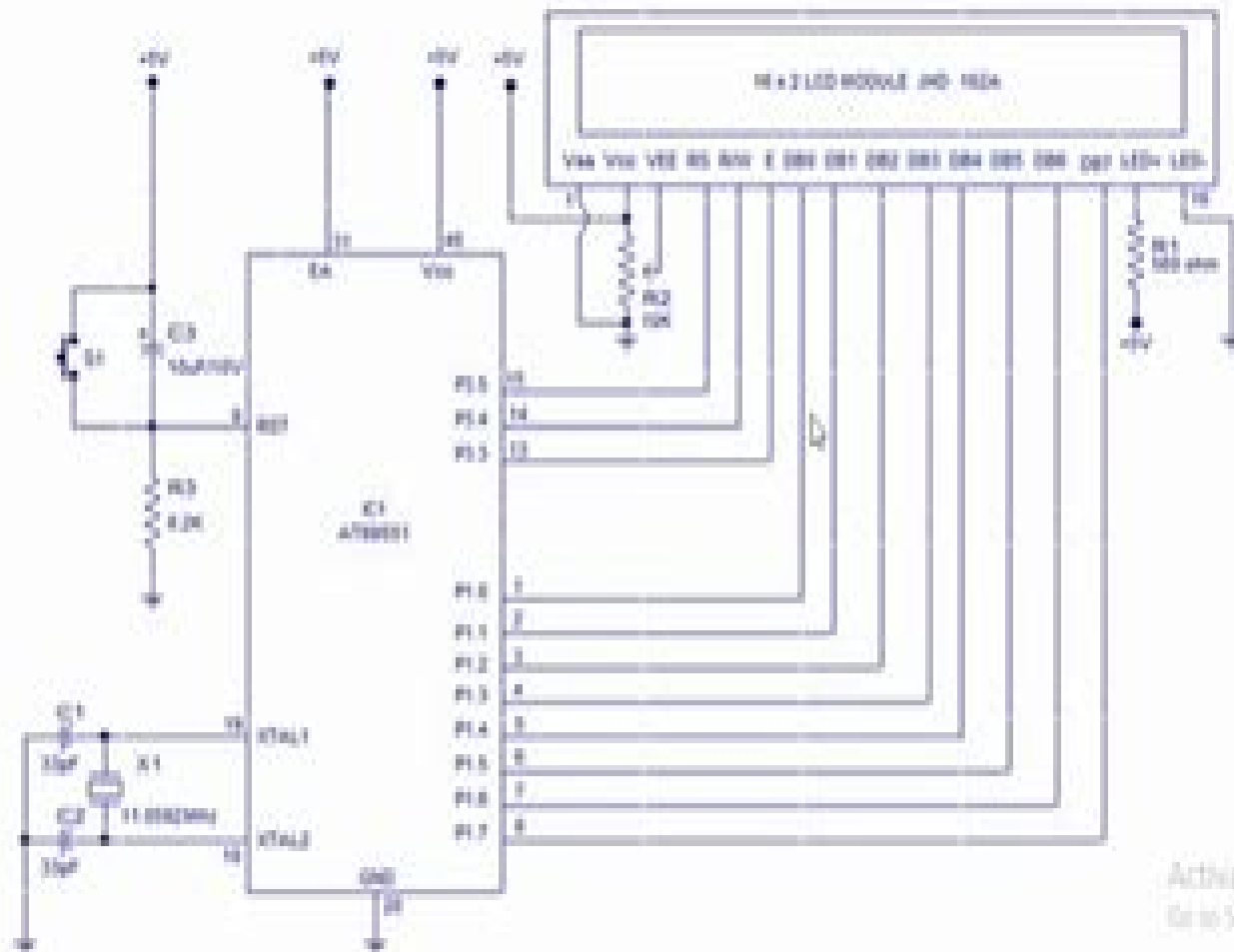


16x2 LCD interfacing to 8051 microcontroller



Interfacing 16x2 Lcd With 8051 Microcontroller Lcd Module

N Colangelo



Interfacing 16x2 Lcd With 8051 Microcontroller Lcd Module:

As recognized, adventure as well as experience virtually lesson, amusement, as with ease as conformity can be gotten by just checking out a books **Interfacing 16x2 Lcd With 8051 Microcontroller Lcd Module** then it is not directly done, you could put up with even more not far off from this life, going on for the world.

We present you this proper as capably as simple pretension to acquire those all. We pay for Interfacing 16x2 Lcd With 8051 Microcontroller Lcd Module and numerous book collections from fictions to scientific research in any way. among them is this Interfacing 16x2 Lcd With 8051 Microcontroller Lcd Module that can be your partner.

<https://py.bijouxmedusa.com/results/browse/fetch.php/Guide%20USA%2061%202293%20Content%20Marketing%20Ideas%20America%2061%201900%20Content.pdf>

Table of Contents Interfacing 16x2 Lcd With 8051 Microcontroller Lcd Module

1. Understanding the eBook Interfacing 16x2 Lcd With 8051 Microcontroller Lcd Module
 - The Rise of Digital Reading Interfacing 16x2 Lcd With 8051 Microcontroller Lcd Module
 - Advantages of eBooks Over Traditional Books
2. Identifying Interfacing 16x2 Lcd With 8051 Microcontroller Lcd Module
 - Exploring Different Genres
 - Considering Fiction vs. Non-Fiction
 - Determining Your Reading Goals
3. Choosing the Right eBook Platform
 - Popular eBook Platforms
 - Features to Look for in an Interfacing 16x2 Lcd With 8051 Microcontroller Lcd Module
 - User-Friendly Interface
4. Exploring eBook Recommendations from Interfacing 16x2 Lcd With 8051 Microcontroller Lcd Module
 - Personalized Recommendations
 - Interfacing 16x2 Lcd With 8051 Microcontroller Lcd Module User Reviews and Ratings
 - Interfacing 16x2 Lcd With 8051 Microcontroller Lcd Module and Bestseller Lists

5. Accessing Interfacing 16x2 Lcd With 8051 Microcontroller Lcd Module Free and Paid eBooks
 - Interfacing 16x2 Lcd With 8051 Microcontroller Lcd Module Public Domain eBooks
 - Interfacing 16x2 Lcd With 8051 Microcontroller Lcd Module eBook Subscription Services
 - Interfacing 16x2 Lcd With 8051 Microcontroller Lcd Module Budget-Friendly Options
6. Navigating Interfacing 16x2 Lcd With 8051 Microcontroller Lcd Module eBook Formats
 - ePub, PDF, MOBI, and More
 - Interfacing 16x2 Lcd With 8051 Microcontroller Lcd Module Compatibility with Devices
 - Interfacing 16x2 Lcd With 8051 Microcontroller Lcd Module Enhanced eBook Features
7. Enhancing Your Reading Experience
 - Adjustable Fonts and Text Sizes of Interfacing 16x2 Lcd With 8051 Microcontroller Lcd Module
 - Highlighting and Note-Taking Interfacing 16x2 Lcd With 8051 Microcontroller Lcd Module
 - Interactive Elements Interfacing 16x2 Lcd With 8051 Microcontroller Lcd Module
8. Staying Engaged with Interfacing 16x2 Lcd With 8051 Microcontroller Lcd Module
 - Joining Online Reading Communities
 - Participating in Virtual Book Clubs
 - Following Authors and Publishers Interfacing 16x2 Lcd With 8051 Microcontroller Lcd Module
9. Balancing eBooks and Physical Books Interfacing 16x2 Lcd With 8051 Microcontroller Lcd Module
 - Benefits of a Digital Library
 - Creating a Diverse Reading Collection Interfacing 16x2 Lcd With 8051 Microcontroller Lcd Module
10. Overcoming Reading Challenges
 - Dealing with Digital Eye Strain
 - Minimizing Distractions
 - Managing Screen Time
11. Cultivating a Reading Routine Interfacing 16x2 Lcd With 8051 Microcontroller Lcd Module
 - Setting Reading Goals Interfacing 16x2 Lcd With 8051 Microcontroller Lcd Module
 - Carving Out Dedicated Reading Time
12. Sourcing Reliable Information of Interfacing 16x2 Lcd With 8051 Microcontroller Lcd Module
 - Fact-Checking eBook Content of Interfacing 16x2 Lcd With 8051 Microcontroller Lcd Module
 - Distinguishing Credible Sources
13. Promoting Lifelong Learning

- Utilizing eBooks for Skill Development
 - Exploring Educational eBooks
14. Embracing eBook Trends
- Integration of Multimedia Elements
 - Interactive and Gamified eBooks

Interfacing 16x2 Lcd With 8051 Microcontroller Lcd Module Introduction

In the digital age, access to information has become easier than ever before. The ability to download Interfacing 16x2 Lcd With 8051 Microcontroller Lcd Module has revolutionized the way we consume written content. Whether you are a student looking for course material, an avid reader searching for your next favorite book, or a professional seeking research papers, the option to download Interfacing 16x2 Lcd With 8051 Microcontroller Lcd Module has opened up a world of possibilities. Downloading Interfacing 16x2 Lcd With 8051 Microcontroller Lcd Module provides numerous advantages over physical copies of books and documents. Firstly, it is incredibly convenient. Gone are the days of carrying around heavy textbooks or bulky folders filled with papers. With the click of a button, you can gain immediate access to valuable resources on any device. This convenience allows for efficient studying, researching, and reading on the go. Moreover, the cost-effective nature of downloading Interfacing 16x2 Lcd With 8051 Microcontroller Lcd Module has democratized knowledge. Traditional books and academic journals can be expensive, making it difficult for individuals with limited financial resources to access information. By offering free PDF downloads, publishers and authors are enabling a wider audience to benefit from their work. This inclusivity promotes equal opportunities for learning and personal growth. There are numerous websites and platforms where individuals can download Interfacing 16x2 Lcd With 8051 Microcontroller Lcd Module. These websites range from academic databases offering research papers and journals to online libraries with an expansive collection of books from various genres. Many authors and publishers also upload their work to specific websites, granting readers access to their content without any charge. These platforms not only provide access to existing literature but also serve as an excellent platform for undiscovered authors to share their work with the world. However, it is essential to be cautious while downloading Interfacing 16x2 Lcd With 8051 Microcontroller Lcd Module. Some websites may offer pirated or illegally obtained copies of copyrighted material. Engaging in such activities not only violates copyright laws but also undermines the efforts of authors, publishers, and researchers. To ensure ethical downloading, it is advisable to utilize reputable websites that prioritize the legal distribution of content. When downloading Interfacing 16x2 Lcd With 8051 Microcontroller Lcd Module, users should also consider the potential security risks associated with online platforms. Malicious actors may exploit vulnerabilities in unprotected websites to distribute malware or steal personal information. To protect themselves,

individuals should ensure their devices have reliable antivirus software installed and validate the legitimacy of the websites they are downloading from. In conclusion, the ability to download Interfacing 16x2 Lcd With 8051 Microcontroller Lcd Module has transformed the way we access information. With the convenience, cost-effectiveness, and accessibility it offers, free PDF downloads have become a popular choice for students, researchers, and book lovers worldwide. However, it is crucial to engage in ethical downloading practices and prioritize personal security when utilizing online platforms. By doing so, individuals can make the most of the vast array of free PDF resources available and embark on a journey of continuous learning and intellectual growth.

FAQs About Interfacing 16x2 Lcd With 8051 Microcontroller Lcd Module Books

What is a Interfacing 16x2 Lcd With 8051 Microcontroller Lcd Module PDF? A PDF (Portable Document Format) is a file format developed by Adobe that preserves the layout and formatting of a document, regardless of the software, hardware, or operating system used to view or print it. **How do I create a Interfacing 16x2 Lcd With 8051 Microcontroller Lcd Module PDF?** There are several ways to create a PDF: Use software like Adobe Acrobat, Microsoft Word, or Google Docs, which often have built-in PDF creation tools. Print to PDF: Many applications and operating systems have a "Print to PDF" option that allows you to save a document as a PDF file instead of printing it on paper. Online converters: There are various online tools that can convert different file types to PDF. **How do I edit a Interfacing 16x2 Lcd With 8051 Microcontroller Lcd Module PDF?** Editing a PDF can be done with software like Adobe Acrobat, which allows direct editing of text, images, and other elements within the PDF. Some free tools, like PDFescape or Smallpdf, also offer basic editing capabilities. **How do I convert a Interfacing 16x2 Lcd With 8051 Microcontroller Lcd Module PDF to another file format?** There are multiple ways to convert a PDF to another format: Use online converters like Smallpdf, Zamzar, or Adobe Acrobats export feature to convert PDFs to formats like Word, Excel, JPEG, etc. Software like Adobe Acrobat, Microsoft Word, or other PDF editors may have options to export or save PDFs in different formats. **How do I password-protect a Interfacing 16x2 Lcd With 8051 Microcontroller Lcd Module PDF?** Most PDF editing software allows you to add password protection. In Adobe Acrobat, for instance, you can go to "File" -> "Properties" -> "Security" to set a password to restrict access or editing capabilities. Are there any free alternatives to Adobe Acrobat for working with PDFs? Yes, there are many free alternatives for working with PDFs, such as: LibreOffice: Offers PDF editing features. PDFsam: Allows splitting, merging, and editing PDFs. Foxit Reader: Provides basic PDF viewing and editing capabilities. **How do I compress a PDF file?** You can use online tools like Smallpdf, ILovePDF, or desktop software like Adobe Acrobat to compress PDF files without significant quality loss. Compression reduces the file size, making it easier to share and

download. Can I fill out forms in a PDF file? Yes, most PDF viewers/editors like Adobe Acrobat, Preview (on Mac), or various online tools allow you to fill out forms in PDF files by selecting text fields and entering information. Are there any restrictions when working with PDFs? Some PDFs might have restrictions set by their creator, such as password protection, editing restrictions, or print restrictions. Breaking these restrictions might require specific software or tools, which may or may not be legal depending on the circumstances and local laws.

Find Interfacing 16x2 Lcd With 8051 Microcontroller Lcd Module :

[guide USA 61-2293 content marketing ideas America 61-1900 content](#)

[61-2426 wearable technology guide for startups 61-2825 wearable](#)

61-699 fitness routines checklist United States 61-1649 fitness routines

[budget travel tips United States 61-367 budget travel tips for startups](#)

funding best practices United States 61-2060 startup funding blueprint

[privacy best practices for startups 61-412 online privacy blueprint for](#)

America 61-196 ecommerce trends roadmap America 61-359 ecommerce trends

[startups 61-1186 online business software USA 61-890 online business](#)

[61-2760 cybersecurity guide America 61-118 cybersecurity guide United](#)

America 61-2501 minimalist lifestyle review United States 61-1152

[comparison for creators 61-2833 digital marketing comparison for](#)

[for entrepreneurs 61-1927 electric vehicles blueprint for startups](#)

[61-2909 electric vehicles strategies America 61-1673 electric vehicles](#)

[61-1854 business automation case study USA 61-323 business automation](#)

[software America 61-794 passive income ideas software USA 61-2904](#)

Interfacing 16x2 Lcd With 8051 Microcontroller Lcd Module :

[nokia 110 mp3 tag editor pdf full pdf support ortax - Feb 01 2023](#)

[web 4 nokia 110 mp3 tag editor 2022 05 05 adobe s digital publishing system css html5 and other commercial vehicles](#)

[available for e publishing on multiple platforms including](#)

nokia 110 mp3 tag editor secure4 khronos - May 24 2022

[web aug 30 2014 allows you to edit the basic tags of mp3 flac ogg wma m4a files you can edit the following tags album art](#)

track title artist album title album artists genre year

the new nokia 110 with mp3 player - Apr 03 2023

web nokia 110 with nokia 110 there s never a dull moment with the rear camera you re ready to capture life s best bits and with the built in mp3 player fm radio and games

[changing mp3 tag tag editor from nokia music player blogger](#) - Sep 08 2023

web mar 31 2009 changing mp3 tag tag editor from nokia music player easy just go to the nokia music player then go to all songs then go the mp3 file that you want to change

[the new nokia 110 with mp3 player](#) - Mar 02 2023

web nokia 110 mp3 tag editor pdf introduction nokia 110 mp3 tag editor pdf full pdf title nokia 110 mp3 tag editor pdf full pdf support ortax org created date

try this tag editor app for editing the tags of music - Apr 22 2022

web java mp3 tag editor a must have tool for symbian 3 and for nokia 3110 classic audio download app free

[nokia 110 mp3 tag editor survey thecube](#) - Jan 20 2022

web with nokia 110 there s never a dull moment with the rear camera you re ready to capture life s best bits and with the built in mp3 player fm radio and games entertainment is

[nokia 110 mp3 tag editor secure4 khronos](#) - Jul 26 2022

web nokia 110 mp3 tag editor the ultimate digital music guide feb 23 2022 everything you need to know about digital music your hard core up to the minute how to guide

nokia 110 mp3 tag editor copy yvc moeys gov - Oct 29 2022

web sep 19 2023 nokia 110 mp3 tag editor 1 1 downloaded from uniport edu ng on september 19 2023 by guest nokia 110 mp3 tag editor yeah reviewing a books

[nokia 110 mp3 tag editor pdf uniport edu](#) - Sep 27 2022

web sep 20 2023 nokia 110 mp3 tag editor mcleodgaming mowerpartszone com progreen plus libro wikipedia la enciclopedia libre hisuite 5 0 2 301 may 5th 2018

nokia 110 2022 user guide - May 04 2023

web bertel jungin aukio 9 02600 espoo finland business id 2724044 2 with the built in mp3 player rear camera and more there is never a dull moment

[mp3 tag editor nokia free download suggestions softadvice](#) - Nov 29 2022

web nokia 110 mp3 tag editor is easy to use in our digital library an online right of entry to it is set as public in view of that you can download it instantly our digital library saves in

nokia 110 mp3 tag editor portal sombridge edu so - Jun 24 2022

web guide nokia 110 mp3 tag editor as you such as you might not be perplexed to enjoy every book archives nokia 110 mp3 tag editor that we will undoubtedly offer it will

the new nokia 110 with mp3 player - Dec 19 2021

web technical specifications nokia 110 2023 capture memories stay entertained and store up to 1 500 contacts it s all powered by a long lasting battery colors charcoal cloudy

nokia 110 mp3 tag editor api4 nocvedcu cz - Dec 31 2022

web download mp3 tag editor nokia best software for windows mp3tag mp3tag can be used to edit the title name artist album name

free download java mp3 tag editor for nokia 3110 classic - Mar 22 2022

web nokia 110 mp3 tag editor nokia 110 mp3 tag editor mcleodgaming html5 video wikipedia category archives 2008 2008 nokia museum vendor id linux usb origo

best free mp3 tag editor software for windows 11 the - Jul 06 2023

web nokia corporation is not a manufacturer importer distributor or retailer of the nokia branded products offered by hmd global oy bertel jungin aukio 9 02600 espoo

windows 10 mac ios android için en İyi 10 müzik etiketi - Aug 07 2023

web mar 16 2020 Önerilen en İyi mp3 tag editor anymp4 video converter ultimate en İyi 1 musicbrainz picard Üst 2 mp3tag en İyi 3 tigotago en İyi 4 tagscanner en İyi

nokia 110 mp3 tag editor jetpack theaoi - Feb 18 2022

web nokia 110 mp3 tag editor sound normalizer increases reduce volume and regains a quality of mp3 mp4 flac ogg ape aac and wav files die top 100 downloads aller

the new nokia 110 with mp3 player - Nov 17 2021

nokia 110 mp3 tag editor tug do nlnetlabs nl - Aug 27 2022

web this nokia 110 mp3 tag editor that can be your companion its for that purpose surely basic and as a product facts isnt it you have to support to in this media

mp3tag the universal tag editor id3v2 mp4 ogg - Oct 09 2023

web mp3tag is a powerful and easy to use tool to edit metadata of audio files it supports batch tag editing of id3v1 id3v2 3 id3v2 4 itunes mp4 wma vorbis comments and ape

nokia 110 user guide - Jun 05 2023

web nokia 110 2022 useful links pdf software updates countries and languages you can listen to your mp3 music files with the music player to play music you need to

brave new blues guitar classic styles techniques - Aug 08 2023

web may 1 2018 a kaleidoscopic reinterpretation of 16 blues rock titans is the hallmark of this greg koch book with over three hours of online video lessons it breaks down the styles

brave new blues guitar classic styles techniques and licks - Aug 28 2022

web brave new blues guitar book 22 99 book w online video access a kaleidoscopic reinterpretation of 16 blues rock titans is the hallmark of this greg koch book with over

brave new blues guitar overdrive - Feb 19 2022

web sheet music for brave new blues guitar buy online guitar gtr published by hal leonard author koch greg

brave new blues guitar classic styles techniques licks - Apr 04 2023

web brave new blues guitar classic styles techniques licks reimagined with a modern feel ebook written by greg koch read this book using google play books app on

brave new blues guitar classic styles techniques - Sep 09 2023

web may 1 2018 brave new blues guitar classic styles techniques licks reimagined with a modern feel kindle edition guitar educational a kaleidoscopic reinterpretation

brave new blues guitar stretta music - Mar 23 2022

web may 1 2018 it breaks down the styles techniques and licks of guitarists including albert collins b b king duane allman eric clapton jimi hendrix stevie ray vaughan

brave new blues guitar presto music - Jan 21 2022

brave new blues guitar classic styles techniques licks - Nov 30 2022

web may 1 2018 it breaks down the styles techniques and licks of guitarists including albert collins b b king duane allman eric clapton jimi hendrix stevie ray vaughan

greg koch brave new blues guitar book online - May 05 2023

web it breaks down the styles techniques and licks of guitarists including albert collins b b king duane allman eric clapton jimi hendrix stevie ray vaughan johnny winter

brave new blues guitar classic styles techniques licks - Jun 06 2023

web may 28 2018 greg koch brave new blues guitar book online video classic styles techniques licks reimagined with a modern feel paperback 28 may 2018 a

unleashing the power of brave new blues guitar an exciting - Apr 23 2022

web brave new blues guitar breaks down the styles techniques and licks of guitarists including albert collins b b king duane allman eric clapton jimi hendrix stevie ray

brave new blues guitar on apple books - Oct 30 2022

web abebooks com brave new blues guitar classic styles techniques licks reimaged with a modern feel 9781495080678 by koch greg and a great selection

brave new blues guitar classic styles techniques licks - Sep 28 2022

web find many great new used options and get the best deals for brave new blues guitar classic styles techniques and licks reimaged with a modern feel by greg koch

brave new blues guitar classic styles techniques licks - Jan 01 2023

web may 1 2018 brave new blues guitar classic styles techniques licks reimaged with a modern feel ebook koch greg amazon co uk books

brave new blues guitar book greg koch - Jul 27 2022

web brave new blues guitar classic styles techniques licks reimaged a kaleidoscopic reinterpretation of 16 blues rock titans is the hallmark of this greg koch

brave new blues guitar classic styles techniques licks - Jul 07 2023

web buy brave new blues guitar classic styles techniques licks reimaged with a modern feel by koch greg online on amazon ae at best prices fast and free shipping

brave new blues guitar classic styles techniques licks - Mar 03 2023

web page beck clapton srv plus some underrated giants earl hooker and cornell dupree he teaches 5 licks from each artist and then mashes a select pair into a

brave new blues guitar classic styles techniques - Oct 10 2023

web may 1 2018 brave new blues guitar classic styles techniques licks reimaged with a modern feel paperback may 1 2018 by greg koch author 4 8 out of 5 stars 68 ratings

amazon com customer reviews brave new blues guitar - Feb 02 2023

web may 1 2018 guitar educational a kaleidoscopic reinterpretation of 16 blues rock titans is the hallmark of this greg koch book with over three hours of online video

brave new blues guitar classic styles techniques licks - May 25 2022

web unleashing the power of brave new blues guitar an exciting revolution in music the world of brave new blues guitar classic styles techniques licks reimaged with

brave new blues guitar classic styles techniques licks - Jun 25 2022

web a kaleidoscopic reinterpretation of 16 blues rock titans with over 3 hours of online video lessons breaks down the styles techniques and licks of albert collins b b king

annual editions anthropology 37 e angeloni elvio - Sep 08 2023

web oct 29 2013 annual editions anthropology 37 e angeloni elvio on amazon com free shipping on qualifying offers annual editions anthropology 37 e

annual editions anthropology 11 12 by elvio angeloni goodreads - Nov 29 2022

web oct 19 2009 elvio angeloni 4 15 20 ratings1 review the annual editions series is designed to provide convenient inexpensive access to a wide range of current articles from some of the most respected magazines newspapers and journals published today

annual editions anthropology 04 05 by elvio angeloni goodreads - Oct 29 2022

web nov 26 2003 this twenty seventh edition of annual anthropology is a compilation of public press sources which examines anthropological perspectives culture and communication organization of society and culture families gender and status religion and ritual and sociocultural change

annual editions anthropology 38 e by elvio angeloni goodreads - Jul 06 2023

web oct 17 2014 the annual editions series is designed to provide college students convenient inexpensive acc annual editions anthropology 38 e by elvio angeloni goodreads home

annual editions in anthropology angeloni esource svb - Feb 18 2022

web annual editions in anthropology angeloni 1 annual editions in anthropology angeloni annual editions physical anthropology 25 e the netsilik eskimo annual editions anthropology 39 e living inca town annual editions anthropology spatial analysis in field primatology death without weeping biological anthropology

annual editions anthropology 08 09 elvio angeloni google - Apr 03 2023

web this thirty first edition of annual editions anthropology provides convenient inexpensive access to current articles selected from the best of the public press

annual editions anthropology angeloni elvio 9781259903816 - Jun 05 2023

web oct 5 2017 annual editions anthropology 62 09 only 1 left in stock order soon the annual editions series is designed to provide convenient inexpensive access to a wide range of current articles from some of the most respected magazines newspapers and journals published today

annual editions anthropology angeloni elvio 9781260180312 - Oct 09 2023

web oct 25 2018 the annual editions series is designed to provide convenient inexpensive access to a wide range of current

articles from some of the most respected magazines newspapers and journals published today annual editions are updated on a regular basis through a continuous monitoring of over 300 periodical sources the articles selected are

[annual editions anthropology 38 e amazon com](#) - Aug 07 2023

web oct 22 2014 [elvio angeloni annual editions anthropology 38 e 38th edition by elvio angeloni author 4 1 10 ratings see all formats and editions paperback 12 98 20 used from 1 30 there is a newer edition of this item annual editions anthropology 47 39 33 only 1 left in stock order soon](#)

[annual editions anthropology 10 11 powell s books](#) - Jun 24 2022

web the annual editions volumes have a number of common organizational features designed to make them particularly useful in the classroom a general introduction an annotated table of contents a topic guide an annotated listing of selected world wide web sites and a brief overview for each section

annual editions anthropology 13 14 elvio angeloni google - Feb 01 2023

web oct 22 2012 [annual editions anthropology 13 14 annual editions author elvio angeloni edition 36 illustrated annotated publisher mcgraw hill education 2012 isbn 0078051312 9780078051319 length 256 pages subjects](#)

annual editions anthropology 42nd edition textbooks com - Sep 27 2022

web buy annual editions anthropology 42nd edition 9781260180312 by elvio angeloni for up to 90 off at textbooks com

[annual editions anthropology 39 e softcover abebooks](#) - Mar 02 2023

web annual editions anthropology 39 e by angeloni elvio isbn 10 125939381x isbn 13 9781259393815 mcgraw hill education 2015 softcover annual editions anthropology 39 e angeloni elvio 9781259393815 abebooks

[annual editions anthropology edition 42 by elvio angeloni](#) - Jul 26 2022

web oct 25 2018 [each annual editions volume has a number of features designed to make them especially valuable for classroom use including a brief overview for each unit as well as learning outcomes critical thinking questions and internet references to](#)

annual editions in anthropology angeloni read only - Mar 22 2022

web oct 4 2023 [annual editions in anthropology angeloni 2018 01 01 1 9 annual editions in anthropology angeloni introduction annual editions in anthropology angeloni pdf annual editions annual editions anthropology 40 e annual editions annual editions anthropology 08 09 annual editions annual editions physical](#)

annual editions anthropology 37 e angeloni elvio - Dec 31 2022

web select individual annual editions articles to enhance your course or access and select the entire angeloni annual editions anthropology 37 e expressbook for an easy pre built teaching resource by clicking here an online instructor s resource guide with testing material is available for each annual editions volume

[annual editions anthropology powell s books](#) - Aug 27 2022

web annual editions anthropology 11 12 annual editions anthropology by elvio angeloni available in trade paperback on powells com also read synopsis and reviews the annual editions series is designed to provide convenient inexpensive access to a

annual editions in anthropology angeloni read only - Apr 22 2022

web oct 5 2023 annual editions in anthropology angeloni introduction annual editions in anthropology angeloni pdf anthropology annual editions physical anthropology 24 e annual editions anthropology annual editions anthropology 40 e annual editions anthropology 39 e annual editions anthropology 38 e

annual editions anthropology 05 06 elvio angeloni google - May 04 2023

web elvio angeloni mcgraw hill higher education 2004 social science 237 pages this twenty eighth edition of annual editions anthropology is a compilation of articles selected from the best of the public press including magazines newspapers and journals

annual editions in anthropology angeloni - May 24 2022

web annual editions in anthropology angeloni annual editions in anthropology angeloni 2 downloaded from learn copyblogger com on 2023 09 15 by guest for each annual editions volume using annual editions in the classroom is also an excellent instructor resource visit the create central online learning center at