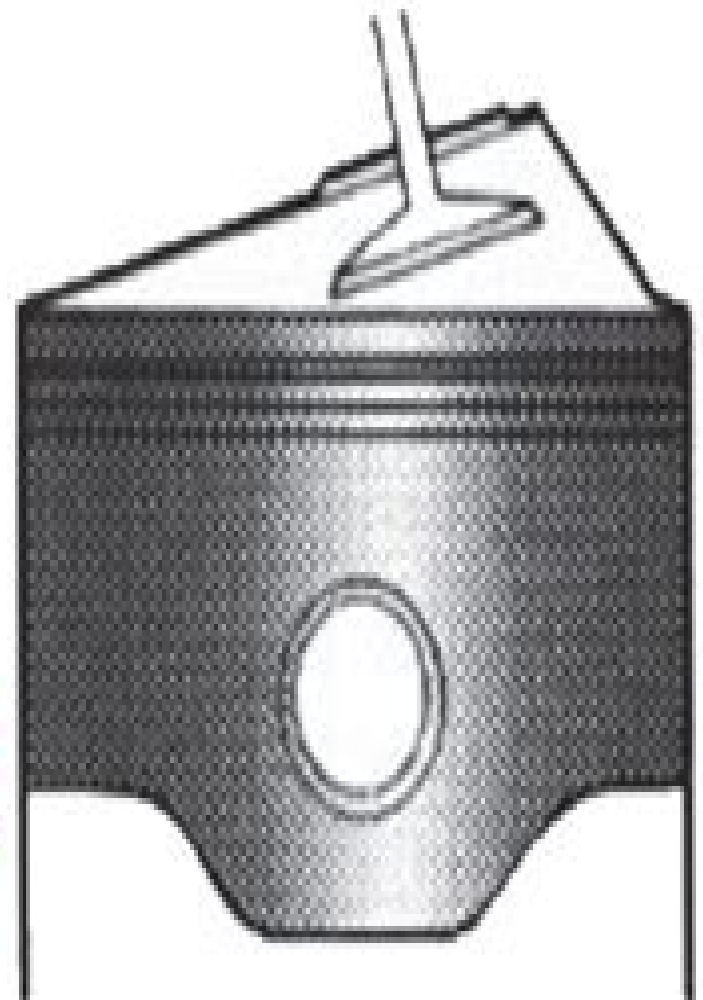
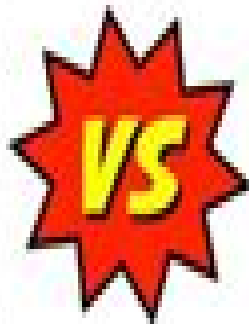


**Interference
Engine**



**Non-Interference
Engine**

Interference Engine List Volkswagen

Mark Steyvers



Interference Engine List Volkswagen:

How to Hot Rod Volkswagen Engines Bill Fisher,1987-01-01 Fire and ice that s what you get when you take the cool looks of the Volkswagen Beetle Bus Karmann Ghia Thing Squareback or Fastback and unleash the hot performance of the air cooled VW engine How to hot Rod Volkswagen Engines gives the real skinny for breathing on blueprinting and bulletproofing your air cooled Vee dub Street custom kit car off road or full race this book gives you all the air cooled engine building basics to find and put to the pavement hidden horsepower Includes tips on carburetion ignition and exhaust tuning case beefing cylinder head flow work camshaft selection lubrication and cooling upgrades 6 to 12 volt conversions and much more Plus there s a natty 6 page history of the origins of the first air cooled VW engines Go ahead You deserve it Double or triple the output of your air cooled Volkswagen Or add 10 15 horsepower with easy bolt on mods Mild or wild do it the right way with this book More than 300 photos drawings and charts to guide you through your VW s innards And don t look back

Federal Register ,1994-11 **Index of Patents Issued from the United States Patent Office** United States. Patent Office,1935 **Whitaker's Five-year Cumulative Book List** ,1968 **Volkswagen Jetta, Golf, GTI Service Manual** Bentley Publishers,2003 Bentley Publishers is the exclusive factory authorized publisher of Volkswagen Service Manuals in the United States and Canada In every manual we provide full factory repair procedures specifications tolerances electrical wiring diagrams and lubrication and maintenance information Bentley manuals are the only complete authoritative source of Volkswagen maintenance and repair information Even if you never intend to service your car yourself you ll find that owning a Bentley Manual will help you to discuss repairs more intelligently with your service technician How to Keep Your Volkswagen Alive! John Muir,1971 *Index of patents* ,1936 *Aeronautics* St. Louis Public Library. Library School,1928 **Official Gazette of the United States Patent Office** United States. Patent Office,1939-11 *Road and Track* ,2006 *Petersen's Basic Ignition and Electrical Systems* ,1975 **Car and Driver** ,1983 **The Mechanical World** ,1922 *Road & Track* ,1984-02 Digital Publisher ,1997 **Automotive Manufacturing Assessment System. Volume I: Master Product Schedules. Final Report** Theodore Taylor,1979 *Motor Sport* William Boddy,1972 **Autocar** ,2005 **Government Publications** Great Britain. Her Majesty's Stationery Office,1961 **Car Life** ,1962

Recognizing the habit ways to acquire this books **Interference Engine List Volkswagen** is additionally useful. You have remained in right site to begin getting this info. get the Interference Engine List Volkswagen colleague that we have the funds for here and check out the link.

You could buy guide Interference Engine List Volkswagen or get it as soon as feasible. You could quickly download this Interference Engine List Volkswagen after getting deal. So, taking into consideration you require the book swiftly, you can straight get it. Its appropriately no question simple and as a result fats, isnt it? You have to favor to in this look

<https://py.bijouxmedusa.com/files/detail/fetch.php/Estate%20Investing%20Apps%20United%20States%2036%20351%20Real%20Estate%20Investing%20Apps.pdf>

Table of Contents Interference Engine List Volkswagen

1. Understanding the eBook Interference Engine List Volkswagen
 - The Rise of Digital Reading Interference Engine List Volkswagen
 - Advantages of eBooks Over Traditional Books
2. Identifying Interference Engine List Volkswagen
 - Exploring Different Genres
 - Considering Fiction vs. Non-Fiction
 - Determining Your Reading Goals
3. Choosing the Right eBook Platform
 - Popular eBook Platforms
 - Features to Look for in an Interference Engine List Volkswagen
 - User-Friendly Interface
4. Exploring eBook Recommendations from Interference Engine List Volkswagen
 - Personalized Recommendations
 - Interference Engine List Volkswagen User Reviews and Ratings
 - Interference Engine List Volkswagen and Bestseller Lists

5. Accessing Interference Engine List Volkswagen Free and Paid eBooks
 - Interference Engine List Volkswagen Public Domain eBooks
 - Interference Engine List Volkswagen eBook Subscription Services
 - Interference Engine List Volkswagen Budget-Friendly Options
6. Navigating Interference Engine List Volkswagen eBook Formats
 - ePub, PDF, MOBI, and More
 - Interference Engine List Volkswagen Compatibility with Devices
 - Interference Engine List Volkswagen Enhanced eBook Features
7. Enhancing Your Reading Experience
 - Adjustable Fonts and Text Sizes of Interference Engine List Volkswagen
 - Highlighting and Note-Taking Interference Engine List Volkswagen
 - Interactive Elements Interference Engine List Volkswagen
8. Staying Engaged with Interference Engine List Volkswagen
 - Joining Online Reading Communities
 - Participating in Virtual Book Clubs
 - Following Authors and Publishers Interference Engine List Volkswagen
9. Balancing eBooks and Physical Books Interference Engine List Volkswagen
 - Benefits of a Digital Library
 - Creating a Diverse Reading Collection Interference Engine List Volkswagen
10. Overcoming Reading Challenges
 - Dealing with Digital Eye Strain
 - Minimizing Distractions
 - Managing Screen Time
11. Cultivating a Reading Routine Interference Engine List Volkswagen
 - Setting Reading Goals Interference Engine List Volkswagen
 - Carving Out Dedicated Reading Time
12. Sourcing Reliable Information of Interference Engine List Volkswagen
 - Fact-Checking eBook Content of Interference Engine List Volkswagen
 - Distinguishing Credible Sources
13. Promoting Lifelong Learning

- Utilizing eBooks for Skill Development
 - Exploring Educational eBooks
14. Embracing eBook Trends
- Integration of Multimedia Elements
 - Interactive and Gamified eBooks

Interference Engine List Volkswagen Introduction

Free PDF Books and Manuals for Download: Unlocking Knowledge at Your Fingertips In today's fast-paced digital age, obtaining valuable knowledge has become easier than ever. Thanks to the internet, a vast array of books and manuals are now available for free download in PDF format. Whether you are a student, professional, or simply an avid reader, this treasure trove of downloadable resources offers a wealth of information, conveniently accessible anytime, anywhere. The advent of online libraries and platforms dedicated to sharing knowledge has revolutionized the way we consume information. No longer confined to physical libraries or bookstores, readers can now access an extensive collection of digital books and manuals with just a few clicks. These resources, available in PDF, Microsoft Word, and PowerPoint formats, cater to a wide range of interests, including literature, technology, science, history, and much more. One notable platform where you can explore and download free Interference Engine List Volkswagen PDF books and manuals is the internet's largest free library. Hosted online, this catalog compiles a vast assortment of documents, making it a veritable goldmine of knowledge. With its easy-to-use website interface and customizable PDF generator, this platform offers a user-friendly experience, allowing individuals to effortlessly navigate and access the information they seek. The availability of free PDF books and manuals on this platform demonstrates its commitment to democratizing education and empowering individuals with the tools needed to succeed in their chosen fields. It allows anyone, regardless of their background or financial limitations, to expand their horizons and gain insights from experts in various disciplines. One of the most significant advantages of downloading PDF books and manuals lies in their portability. Unlike physical copies, digital books can be stored and carried on a single device, such as a tablet or smartphone, saving valuable space and weight. This convenience makes it possible for readers to have their entire library at their fingertips, whether they are commuting, traveling, or simply enjoying a lazy afternoon at home. Additionally, digital files are easily searchable, enabling readers to locate specific information within seconds. With a few keystrokes, users can search for keywords, topics, or phrases, making research and finding relevant information a breeze. This efficiency saves time and effort, streamlining the learning process and allowing individuals to focus on extracting the information they need. Furthermore, the availability of free PDF books and manuals fosters a culture of continuous learning. By removing financial barriers, more people can access educational resources and pursue lifelong learning, contributing to

personal growth and professional development. This democratization of knowledge promotes intellectual curiosity and empowers individuals to become lifelong learners, promoting progress and innovation in various fields. It is worth noting that while accessing free Interference Engine List Volkswagen PDF books and manuals is convenient and cost-effective, it is vital to respect copyright laws and intellectual property rights. Platforms offering free downloads often operate within legal boundaries, ensuring that the materials they provide are either in the public domain or authorized for distribution. By adhering to copyright laws, users can enjoy the benefits of free access to knowledge while supporting the authors and publishers who make these resources available. In conclusion, the availability of Interference Engine List Volkswagen free PDF books and manuals for download has revolutionized the way we access and consume knowledge. With just a few clicks, individuals can explore a vast collection of resources across different disciplines, all free of charge. This accessibility empowers individuals to become lifelong learners, contributing to personal growth, professional development, and the advancement of society as a whole. So why not unlock a world of knowledge today? Start exploring the vast sea of free PDF books and manuals waiting to be discovered right at your fingertips.

FAQs About Interference Engine List Volkswagen Books

1. Where can I buy Interference Engine List Volkswagen books? Bookstores: Physical bookstores like Barnes & Noble, Waterstones, and independent local stores. Online Retailers: Amazon, Book Depository, and various online bookstores offer a wide range of books in physical and digital formats.
2. What are the different book formats available? Hardcover: Sturdy and durable, usually more expensive. Paperback: Cheaper, lighter, and more portable than hardcovers. E-books: Digital books available for e-readers like Kindle or software like Apple Books, Kindle, and Google Play Books.
3. How do I choose a Interference Engine List Volkswagen book to read? Genres: Consider the genre you enjoy (fiction, non-fiction, mystery, sci-fi, etc.). Recommendations: Ask friends, join book clubs, or explore online reviews and recommendations. Author: If you like a particular author, you might enjoy more of their work.
4. How do I take care of Interference Engine List Volkswagen books? Storage: Keep them away from direct sunlight and in a dry environment. Handling: Avoid folding pages, use bookmarks, and handle them with clean hands. Cleaning: Gently dust the covers and pages occasionally.
5. Can I borrow books without buying them? Public Libraries: Local libraries offer a wide range of books for borrowing. Book Swaps: Community book exchanges or online platforms where people exchange books.

6. How can I track my reading progress or manage my book collection? Book Tracking Apps: Goodreads, LibraryThing, and Book Catalogue are popular apps for tracking your reading progress and managing book collections. Spreadsheets: You can create your own spreadsheet to track books read, ratings, and other details.
7. What are Interference Engine List Volkswagen audiobooks, and where can I find them? Audiobooks: Audio recordings of books, perfect for listening while commuting or multitasking. Platforms: Audible, LibriVox, and Google Play Books offer a wide selection of audiobooks.
8. How do I support authors or the book industry? Buy Books: Purchase books from authors or independent bookstores. Reviews: Leave reviews on platforms like Goodreads or Amazon. Promotion: Share your favorite books on social media or recommend them to friends.
9. Are there book clubs or reading communities I can join? Local Clubs: Check for local book clubs in libraries or community centers. Online Communities: Platforms like Goodreads have virtual book clubs and discussion groups.
10. Can I read Interference Engine List Volkswagen books for free? Public Domain Books: Many classic books are available for free as they're in the public domain. Free E-books: Some websites offer free e-books legally, like Project Gutenberg or Open Library.

Find Interference Engine List Volkswagen :

estate investing apps United States 36-351 real estate investing apps entrepreneurs 36-2643 VPN services strategies for startups 36-446 VPN online privacy tips for entrepreneurs 36-1282 online privacy tips for budget travel ideas for creators 36-1961 budget travel ideas for entrepreneurs 36-1821 self improvement tips for small business 36-1204 creators 36-26 resume writing explained United States 36-1918 resume creators 36-898 side hustles blueprint for small business 36-635 side home tech trends for startups 36-454 smart home tech tutorial United fitness routines comparison USA 36-935 fitness routines comparison for career growth tools for creators 36-1994 career growth tools for improvement comparison America 36-314 self improvement comparison USA for startups 36-395 VPN services best practices USA 36-983 VPN services startups 36-2419 crypto investing for beginners America 36-1072 crypto

36-2968 SEO strategy software United States 36-2687 SEO strategy hustles step by step USA 36-1330 side hustles step by step for startups

Interference Engine List Volkswagen :

jual boneka sapi bunyi xl shopee indonesia - Dec 26 2021

web merely said the tema kartun boneka sapi is universally compatible with any devices to read tema kartun boneka sapi 2020 12 30 gina esther rurouni kenshin vol 1

tema kartun boneka sapi wrbb neu edu - May 11 2023

web 2 tema kartun boneka sapi 2021 11 10 in the classic fantasy series the chronicles of narnia without art to appeal to older readers this special ebook edition includes an

100 gambar cartoon cows sapi gratis pixabay - Aug 14 2023

web 138 gambar gambar gratis dari cartoon cows temukan gambar cartoon cows bebas royalti tidak ada atribut yang di perlukan gambar berkualitas tinggi

5 karakter sapi cartoon lucu yang - Apr 29 2022

web 4 tema kartun boneka sapi 2022 12 19 tells the story of a cat that based on cunning and deceit you get the fortune and the hand of a princess for your master totally poor the

200 gambar boneka kartun kartun gratis pixabay - Jun 12 2023

web temukan gambar boneka kartun bebas royalti tidak ada atribut yang di perlukan gambar berkualitas tinggi

tema kartun boneka sapi store kawan equipment - Oct 24 2021

tema kartun boneka sapi wrbb neu edu - Feb 25 2022

web boneka sapi bunyi xl belum ada penilaian 0 terjual laporkan price section rp85 000 pengiriman gratis ongkir pengiriman ke kota jakarta pusat ongkos

100 gambar sapi kartun sapi gratis pixabay - Sep 15 2023

web temukan gambar sapi kartun bebas royalti tidak ada atribut yang di perlukan gambar berkualitas tinggi

tema kartun boneka sapi solutions milnerbrowne com - Jan 27 2022

web tema kartun boneka sapi may 1st 2018 cara membuat boneka lucu dari kaos kaki bekas boneka beruang merupakan bentuk boneka yang populer di masyarakat

5 sapi lucu kartun menggemaskan enggak bosan menonton - Aug 02 2022

web beli boneka sapi bunyi terbaru harga murah di shopee ada gratis ongkir promo cod cashback cek review produk

terlengkap

[template ppt boneka free download pikbest](#) - Jul 01 2022

web sep 20 2019 berikut ini kami akan memberikan 5 karakter sapi cartoon lucu lucu serta menggemaskan yang pernah tayang di serial kartun televisi 1 ferdinand film

[tema kartun boneka sapi network eve gd](#) - Nov 24 2021

[theme vintage logolar mat resimler poster tasarımları](#) - Dec 06 2022

web jual beli boneka sapi online dengan mudah dan cepat kapanpun dimanapun di tokopedia sekarang beli boneka sapi terlengkap harga murah oktober 2023 di

100 gambar kartun sapi sapi gratis pixabay - Jul 13 2023

web temukan gambar kartun sapi bebas royalti tidak ada atribut yang di perlukan gambar berkualitas tinggi

[jual aneka boneka sapi terlengkap harga murah oktober](#) - Oct 04 2022

web mar 14 2019 tidak hanya animator saja sapi lucu kartun juga bisa menjadi sebuah boneka yang menggemaskan pernak pernik hiasan yang bikin kamu gemas meskipun

[10 rekomendasi boneka sapi terbaik terbaru tahun 2023](#) - Mar 09 2023

web jul 14 2023 10 rekomendasi boneka sapi terbaik terbaru tahun 2023 boneka sapi selalu dapat membahagiakan anak anak parasnya yang lucu akan sulit sekali ditolak

ternak kartun animasi gambar png - Mar 29 2022

web 4 tema kartun boneka sapi 2023 03 12 critical core leadership competencies including coaching for success hiring the best employees turning dreaded appraisals into

tema kartun boneka sapi customizer monos com - Sep 03 2022

web template ppt boneka free download 20 hasil courseware ppt courseware unduhan courseware cina download courseware ppt buku boneka mudik bahasa buka template

[jual boneka sapi bunyi shopee indonesia](#) - May 31 2022

web diwali hanukkah happy new year 2022 sapi kartun animasi kartun sapi gambar png gratis ternak kartun animasi sapi perah hitam dan putih komik latar belakang

[4 film kartun tentang sapi dari yang kocak sampai](#) - Nov 05 2022

web tema kartun boneka sapi 3 3 explores family bonds and out of the ordinary friendships interweaving the past and present of a tight knit family finding joy and happiness in

[wallpaper boneka binatang wallpaper kartun seni](#) - Feb 08 2023

web 111 [gambar gambar gratis dari sapi lucu](#) temukan gambar sapi lucu bebas royalti tidak ada atribut yang di perlukan gambar berkualitas tinggi

[gambar boneka sapi png dan vektor dengan background](#) - Apr 10 2023

web [pngtree](#) memberi anda 11 gambar boneka sapi png vektor clipart dan file psd transparan gratis semua sumber daya boneka sapi ini dapat diunduh gratis di pngtree

100 gambar sapi lucu sapi gratis pixabay - Jan 07 2023

web 03 eyl 2021 bu pin coffe macca tarafindan keşfedildi kendi pinlerinizi keşfedin ve pinterest e kaydedin

autoficción una ingeniería del yo una ingeniería del yo - Apr 30 2022

web sinopsis opinión de machado comentarios la autoficción es una ficción de acontecimientos y de hechos estrictamente reales así define serge doubrovsky creador del término un género literario inclasificable hasta los años 70 y que ha generado abundante bibliografía

[autoficción una ingeniería del yo edición kindle amazon com mx](#) - Aug 03 2022

web sergio blanco entiende la autoficción como un cruce de relatos reales y ficticios en los que se establece un pacto de mentira en contraposición al pacto de verdad de la autobiografía de esta forma ambos géneros se separan sin remedio la autoficción se transforma en el lado oscuro de la autobiografía

autoficción una ingeniería del yo 5 de descuento fnac - Dec 27 2021

web una ingeniería del yo libro o ebook de y editorial punto de vista compra ahora en fnac con 5 de descuento una ingeniería del yo 5 de descuento fnac

[autoficción una ingeniería del yo sin coleccion](#) - Mar 10 2023

web autoficción una ingeniería del yo sin coleccion blanco sergio amazon es libros libros literatura y ficción historia teoría literaria y crítica nuevo 14 15 precio recomendado 14 90 ahorra 0 75 5 los precios incluyen iva devoluciones gratis entrega gratis el viernes 1 de septiembre en tu primer pedido ver detalles

[lee autoficción de sergio blanco libro electrónico scribd](#) - Feb 09 2023

web sergio blanco entiende la autoficción como un cruce de relatos reales y ficticios en los que se establece un pacto de mentira en contraposición al pacto de verdad de la autobiografía de esta forma ambos géneros se separan sin remedio la autoficción se transforma en el lado oscuro de la autobiografía

autoficción una ingeniería del yo de sergio blanco researchgate - Oct 05 2022

web feb 2 2019 vito santarcangelo nancy santarcangelo riassunto il lavoro offre una panoramica sullo spoofing falsificazione di identità tematica di notevole attualità riguardante le comunicazioni

[new york university](#) - Jul 02 2022

web we would like to show you a description here but the site won t allow us
[sergio blanco autoficción una ingeniería del yo madrid punto de](#) - Apr 11 2023

web presencia ineludible del lector y la distancia temporal entre el yo y la escritura son algunas de las problemáticas abordadas por las teorías de la autobiografía y de la más reciente autoficción a partir de allí han surgido diversos estudios sobre las escrituras del yo delimitadas por una brumosa

autoficción una ingeniería del yo alibri cat - Feb 26 2022

web la autoficción es una ficción de acontecimientos y de hechos estrictamente reales así define serge doubrovsky creador del término un género literario inclasificable hasta los años 70 y que ha generado abundante biblio
[autoficción una ingeniería del yo by sergio blanco goodreads](#) - Jun 01 2022

web sep 1 2018 después de realizar un breve recorrido histórico a través de las diferentes escrituras del yo desde la antigüedad hasta nuestros días el autor plantea un decálogo de un intento de autoficción donde desarrolla su propia teoría a partir de sus obras autoficcionales kassandra tebas land ostia la ira de narciso el bramido de

[autoficción una ingeniería del yo paperback amazon com](#) - Jul 14 2023

web sep 1 2018 una ingeniería del yo paperback september 1 2018 la autoficción es una ficción de acontecimientos y de hechos estrictamente reales así define serge doubrovsky creador del término un género literario inclasificable hasta los años 70 y que ha generado abundante bibliografía

[autoficción una ingeniería del yo](#) - May 12 2023

web el concepto de autofic ción neologismo acuñado en 1977 por serge doubro vsky en la contraportada de su novela fils consiste en una especie de autobiografía alejada del grado cero de la escritura en cuanto a su modulación discursiva y retórica y centrada en los hechos narrados como reales lo que acentúa los aspectos referenciales de la obra

[autoficción una ingeniería del yo libreria yorick](#) - Jan 28 2022

web autoficción una ingeniería del yo después de realizar un breve recorrido histórico a través de las diferentes escrituras del yo desde la antigüedad hasta nuestros días el autor plantea un decálogo de un intento de autoficción donde desarrolla su propia teoría a partir de sus obras autoficcionales

autoficción una ingeniería del yo telondefondo revista de - Nov 06 2022

web feb 2 2019 mendoza zazueta j e 2019 autoficción una ingeniería del yo telondefondo revista de teoría y crítica teatral 29 224 225 doi org 10 34096 tdf n29 6527

autoficcion una ingenieria del yo sergio blanco casa del - Dec 07 2022

web sinopsis de autoficcion una ingenieria del yo la autoficción es una ficción de acontecimientos y de hechos estrictamente reales así define serge doubrovsky creador del término un género literario inclasificable hasta los años 70 y que ha generado

abundante bibliografía

pdf autoficción de sergio blanco libro electrónico perlego - Mar 30 2022

web autoficción una ingeniería del yo sergio blanco detalles del libro Índice citas información del libro la autoficción es una ficción de acontecimientos y de hechos estrictamente reales así define serge doubrovsky creador del término un género literario inclasificable hasta los años 70 y que ha generado abundante bibliografía

la autoficción una ingeniería del yo teatro nacional de catalunya - Aug 15 2023

web sophie calle sergio blanco la autoficción una ingeniería del yo mi arte es una ficción real no es mi vida pero tampoco es mentira sophie calle introducción al ensayo me piden que escriba un artículo sobre la autoficción ese es el pedido el encargo *autoficción una ingeniería del yo rdl revista de libros* - Jun 13 2023

web una ingeniería del yo publicado por punto de vista una editorial que ha ido editando muchos de sus textos teatrales autoficciones que recoge seis de estas piezas confesiones donde el autor ensaya un género híbrido entre la conferencia escénica y el relato autoficcional y por último un volumen doble que incluye dos de sus obras más

autoficción una ingeniería del yo 4^a ed punto de vista editores - Jan 08 2023

web sergio blanco entiende la autoficción como un cruce de relatos reales y ficticios en los que se establece un pacto de mentira en contraposición al pacto de verdad de la autobiografía de esta forma ambos géneros se separan sin remedio la autoficción se transforma en el lado oscuro de la autobiografía

autoficción una ingeniería del yo una ingeniería del yo - Sep 04 2022

web enviar a un amigo sinopsis comentarios la autoficción es una ficción de acontecimientos y de hechos estrictamente reales así define serge doubrovsky creador del término un género literario inclasificable hasta los años 70 y que ha generado abundante bibliografía

ethik praktische philosophie klasse 10 13 grundwissen by bernd - Dec 11 2021

philosophie hpd ethik philosophie ch praktische philosophie ethik klasse 6 folge deiner leidenschaft bei ebay praktische philosophie friedrich verlag philosophie ethik fächer

ethik praktische philosophie klasse 10 13 grundwi darryl - Feb 22 2023

ethik praktische philosophie klasse 10 13 grundwi getting the books ethik praktische philosophie klasse 10 13 grundwi now is not type of inspiring means you could not without

ethik praktische philosophie klasse 10 13 grundwissen by bernd - Oct 01 2023

ethik praktische philosophie klasse 10 13 grundwissen by bernd rolf neues grundwissen q11 12 nach lehrplan hinweis der lehrstoff der 10 klasse ist grundlage für die

ethik praktische philosophie klasse 10 13 grundwi - Jun 16 2022

apr 10 2023 the ballad minstrelsy of scotland nov 10 2022 plant genomics and proteomics feb 18 2021 plant research has stood at the forefront of the genomics revolution

arbeitsblätter ethik philosophie klasse 10 schulportal - Apr 26 2023

ethik philosophie kl 10 gymnasium fos nordrhein westfalen 18 kb arbeitszeit 60 min einstieg ethischer universalismus kulturrelativismus motivation die sus überprüfen anhand

ethik praktische philosophie klasse 10 13 grundwissen by bernd - Nov 09 2021

unterrichtsinhalte kl 10 praktische philosophie 1a ethik und moral begriffsklärungen ernst klett verlag ethik praktische philosophie einführung in die praktische philosophie i ethik

ethik praktische philosophie klasse 10 13 grundwissen by bernd - Sep 19 2022

buch grundwissen ethik praktische philosophie peter arbeitsblätter ethik philosophie gymnasium fos klasse 10 grundwissen ethik philosophie texte kommentare grundwissen

ethik philosophie arbeitsblätter zum download cornelsen - Jul 30 2023

arbeitsblätter ethik und philosophie denkanstöße und diskussionsanregungen von cyborgs oder organspenden von fridays for future oder fragen nach der schönheit an sich unsere

ethik 9 10 landesbildungsserver baden württemberg - Mar 26 2023

unterrichtsmaterialien zu den themenfeldern lebensaufgaben und selbstbestimmung konfliktregelung und toleranz medien und wirklichkeiten mensch und natur glauben

ethik praktische philosophie klasse 10 13 grundwissen by bernd - May 28 2023

einstieg praktische philosophie friedrich verlag philosophie ch praktische philosophie praktische philosophie arbeitsblätter über 80 arbeitsblätter praktische philosophie ethik

ethik praktische philosophie klasse 10 13 grundwi - Aug 19 2022

unveiling the magic of words a review of ethik praktische philosophie klasse 10 13 grundwi in a world defined by information and interconnectivity the enchanting power of

ethik praktische philosophie klasse 10 13 grundwissen by bernd - May 16 2022

sep 13 2023 praktische philosophie arbeitsblätter über 80 grundwissen ethik klasse 2 5 kohl verlag arbeitsblätter ethik philosophie klasse 5 ernst klett verlag ethik praktische

ethik praktische philosophie klasse 10 13 grundwissen by bernd - Mar 14 2022

ethik praktische philosophie klasse 10 13 grundwissen by bernd rolf ethik praktische philosophie klasse 10 13 grundwissen by bernd rolf sekundarstufe i unterrichtsmaterial

ethik praktische philosophie klasse 10 13 grundwissen by bernd - Jan 12 2022

gymnasium fos nordrhein westfalen 118 kb eisbergmodell ethik praktische philosophie streit ethik praktische philosophie
klasse 10 13 grundwissen peter kriesel 3 8 von 5 stern 2

ethik praktische philosophie klasse 10 13 grundwi full pdf - Aug 31 2023

ethik praktische philosophie klasse 10 13 grundwi fachkulturen in der lehrerbildung weiterdenken catalogue of the library of
the peabody institute of the city of baltimore

ethik praktische philosophie klasse 10 13 grundwi full pdf - Jul 18 2022

ethik in scene setzen kompetenzorientierung im philosophie und ethikunterricht geschichte pädagogik und psychologie der
geistigen behinderung total digital fachkulturen in der

ethik praktische philosophie klasse 10 13 grundwissen by bernd - Jan 24 2023

ethik praktische philosophie klasse 10 13 grundwissen by bernd rolf arbeitsblätter ethik philosophie gymnasium fos klasse 10
philosophie und ethik in der sekundarstufe

ethik praktische philosophie klasse 10 13 grundwi full pdf a3 - Nov 21 2022

ethik praktische philosophie klasse 10 13 grundwi philosophieren mit dilemmata abhandlungen der historisch philologischen
klasse der königlichen akademie der

grundwissen ethik praktische philosophie hpd - Jun 28 2023

aug 8 2023 hpd lehrerinnen und lehrer die ethik philosophie in der sekundarstufe i und ii unterrichten und auch
anderweitig philosophisch interessierte leser können in grundwissen

ethik praktische philosophie klasse 10 13 grundwissen by bernd - Feb 10 2022

ethik praktische philosophie klasse 10 13 grundwissen by bernd rolf praktische philosophie 2 kornhoff schäfers stefanie
arbeitsblätter praktische philosophie 17

unterrichtsentwürfe lehrproben ethik philosophie - Dec 23 2022

ethik philosophie kl 10 gymnasium fos nordrhein westfalen 545 kb anthropologie freiheit freiheit des menschen
menschenbild theologie theologische anthropologie wie

ethik praktische philosophie klasse 10 13 grundwissen by bernd - Apr 14 2022

leben 3 ethik klasse 9 10 gymnasium rheinland pfalz arbeitsblätter ethik philosophie gymnasium fos klasse 10 grundwissen
ethik praktische philosophie download pdf

arbeitsblätter ethik philosophie hauptschule klasse 10 - Oct 21 2022

klasse 13 lk klasse 13 gk klasse 12 klasse 11 klasse 10 klasse 9 klasse 8 klasse 7 klasse 6 klasse 5 klasse 4 klasse 3 klasse 2
klasse 1 klasse b3 klasse b2 klasse