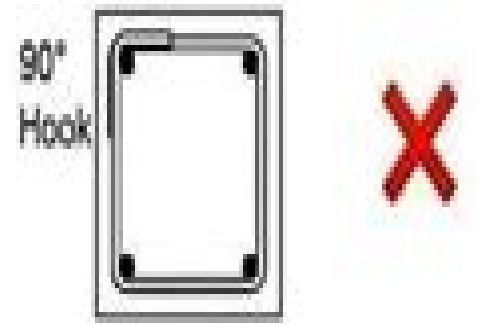
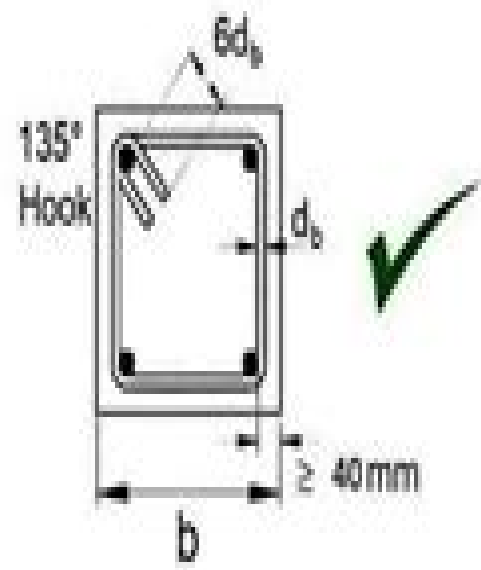
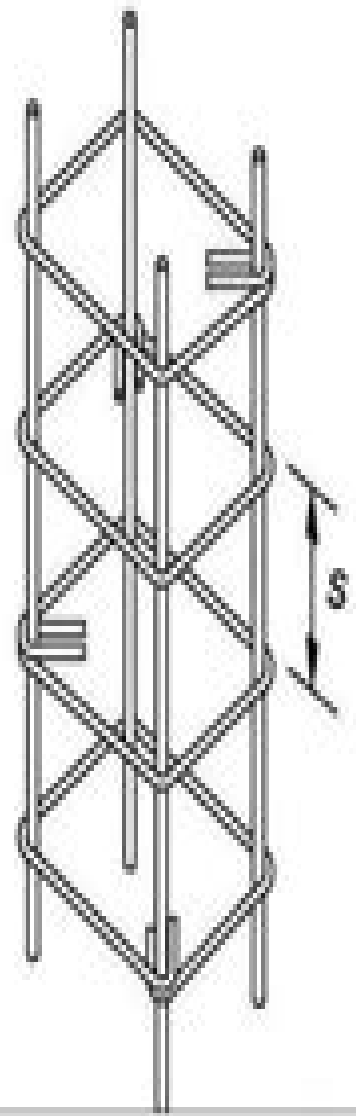
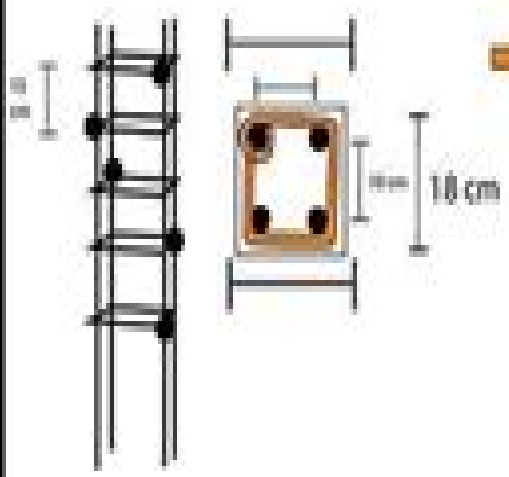


Civil Engineering Basic Knowledge - Formulas

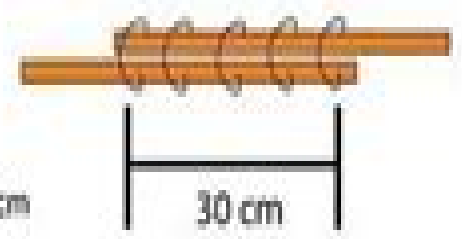
Basic Formulas | Interview Question and Answers | Site Knowledge | QS Knowledge



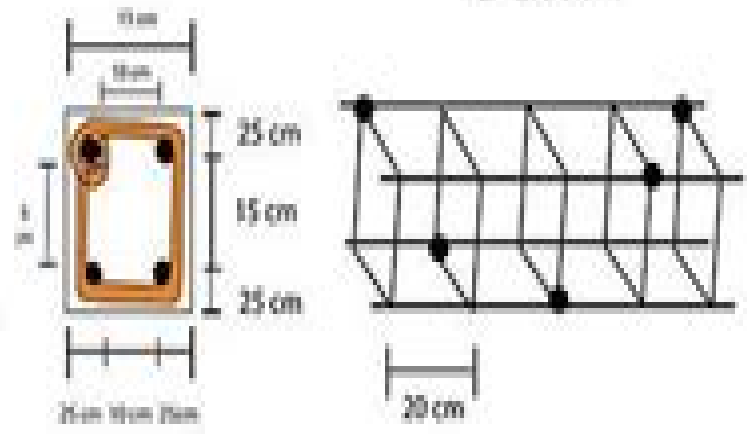
Column



Overlap



Beam



Basic Civil Engineering Tech Max

**Harwood Frost, Charles MacCaughey
Same**

Basic Civil Engineering Tech Max:

Eventually, you will entirely discover a additional experience and achievement by spending more cash. nevertheless when? get you agree to that you require to get those every needs past having significantly cash? Why dont you attempt to acquire something basic in the beginning? Thats something that will guide you to understand even more with reference to the globe, experience, some places, like history, amusement, and a lot more?

It is your agreed own mature to decree reviewing habit. in the course of guides you could enjoy now is **Basic Civil Engineering Tech Max** below.

<https://py.bijouxmedusa.com/book/detail/Documents/Living%20Best%20Practices%20For%20Creators%2086%201019%20Sustainable%20Living%20Best.pdf>

Table of Contents Basic Civil Engineering Tech Max

1. Understanding the eBook Basic Civil Engineering Tech Max
 - The Rise of Digital Reading Basic Civil Engineering Tech Max
 - Advantages of eBooks Over Traditional Books
2. Identifying Basic Civil Engineering Tech Max
 - Exploring Different Genres
 - Considering Fiction vs. Non-Fiction
 - Determining Your Reading Goals
3. Choosing the Right eBook Platform
 - Popular eBook Platforms
 - Features to Look for in an Basic Civil Engineering Tech Max
 - User-Friendly Interface
4. Exploring eBook Recommendations from Basic Civil Engineering Tech Max
 - Personalized Recommendations
 - Basic Civil Engineering Tech Max User Reviews and Ratings
 - Basic Civil Engineering Tech Max and Bestseller Lists

5. Accessing Basic Civil Engineering Tech Max Free and Paid eBooks
 - Basic Civil Engineering Tech Max Public Domain eBooks
 - Basic Civil Engineering Tech Max eBook Subscription Services
 - Basic Civil Engineering Tech Max Budget-Friendly Options
6. Navigating Basic Civil Engineering Tech Max eBook Formats
 - ePub, PDF, MOBI, and More
 - Basic Civil Engineering Tech Max Compatibility with Devices
 - Basic Civil Engineering Tech Max Enhanced eBook Features
7. Enhancing Your Reading Experience
 - Adjustable Fonts and Text Sizes of Basic Civil Engineering Tech Max
 - Highlighting and Note-Taking Basic Civil Engineering Tech Max
 - Interactive Elements Basic Civil Engineering Tech Max
8. Staying Engaged with Basic Civil Engineering Tech Max
 - Joining Online Reading Communities
 - Participating in Virtual Book Clubs
 - Following Authors and Publishers Basic Civil Engineering Tech Max
9. Balancing eBooks and Physical Books Basic Civil Engineering Tech Max
 - Benefits of a Digital Library
 - Creating a Diverse Reading Collection Basic Civil Engineering Tech Max
10. Overcoming Reading Challenges
 - Dealing with Digital Eye Strain
 - Minimizing Distractions
 - Managing Screen Time
11. Cultivating a Reading Routine Basic Civil Engineering Tech Max
 - Setting Reading Goals Basic Civil Engineering Tech Max
 - Carving Out Dedicated Reading Time
12. Sourcing Reliable Information of Basic Civil Engineering Tech Max
 - Fact-Checking eBook Content of Basic Civil Engineering Tech Max
 - Distinguishing Credible Sources
13. Promoting Lifelong Learning

- Utilizing eBooks for Skill Development
 - Exploring Educational eBooks
14. Embracing eBook Trends
- Integration of Multimedia Elements
 - Interactive and Gamified eBooks

Basic Civil Engineering Tech Max Introduction

In the digital age, access to information has become easier than ever before. The ability to download Basic Civil Engineering Tech Max has revolutionized the way we consume written content. Whether you are a student looking for course material, an avid reader searching for your next favorite book, or a professional seeking research papers, the option to download Basic Civil Engineering Tech Max has opened up a world of possibilities. Downloading Basic Civil Engineering Tech Max provides numerous advantages over physical copies of books and documents. Firstly, it is incredibly convenient. Gone are the days of carrying around heavy textbooks or bulky folders filled with papers. With the click of a button, you can gain immediate access to valuable resources on any device. This convenience allows for efficient studying, researching, and reading on the go. Moreover, the cost-effective nature of downloading Basic Civil Engineering Tech Max has democratized knowledge. Traditional books and academic journals can be expensive, making it difficult for individuals with limited financial resources to access information. By offering free PDF downloads, publishers and authors are enabling a wider audience to benefit from their work. This inclusivity promotes equal opportunities for learning and personal growth. There are numerous websites and platforms where individuals can download Basic Civil Engineering Tech Max. These websites range from academic databases offering research papers and journals to online libraries with an expansive collection of books from various genres. Many authors and publishers also upload their work to specific websites, granting readers access to their content without any charge. These platforms not only provide access to existing literature but also serve as an excellent platform for undiscovered authors to share their work with the world. However, it is essential to be cautious while downloading Basic Civil Engineering Tech Max. Some websites may offer pirated or illegally obtained copies of copyrighted material. Engaging in such activities not only violates copyright laws but also undermines the efforts of authors, publishers, and researchers. To ensure ethical downloading, it is advisable to utilize reputable websites that prioritize the legal distribution of content. When downloading Basic Civil Engineering Tech Max, users should also consider the potential security risks associated with online platforms. Malicious actors may exploit vulnerabilities in unprotected websites to distribute malware or steal personal information. To protect themselves, individuals should ensure their devices have reliable antivirus software installed and validate the legitimacy of the websites they are downloading from. In conclusion, the ability to download Basic Civil

Engineering Tech Max has transformed the way we access information. With the convenience, cost-effectiveness, and accessibility it offers, free PDF downloads have become a popular choice for students, researchers, and book lovers worldwide. However, it is crucial to engage in ethical downloading practices and prioritize personal security when utilizing online platforms. By doing so, individuals can make the most of the vast array of free PDF resources available and embark on a journey of continuous learning and intellectual growth.

FAQs About Basic Civil Engineering Tech Max Books

What is a Basic Civil Engineering Tech Max PDF? A PDF (Portable Document Format) is a file format developed by Adobe that preserves the layout and formatting of a document, regardless of the software, hardware, or operating system used to view or print it. **How do I create a Basic Civil Engineering Tech Max PDF?** There are several ways to create a PDF: Use software like Adobe Acrobat, Microsoft Word, or Google Docs, which often have built-in PDF creation tools. Print to PDF: Many applications and operating systems have a "Print to PDF" option that allows you to save a document as a PDF file instead of printing it on paper. Online converters: There are various online tools that can convert different file types to PDF. **How do I edit a Basic Civil Engineering Tech Max PDF?** Editing a PDF can be done with software like Adobe Acrobat, which allows direct editing of text, images, and other elements within the PDF. Some free tools, like PDFescape or Smallpdf, also offer basic editing capabilities. **How do I convert a Basic Civil Engineering Tech Max PDF to another file format?** There are multiple ways to convert a PDF to another format: Use online converters like Smallpdf, Zamzar, or Adobe Acrobat's export feature to convert PDFs to formats like Word, Excel, JPEG, etc. Software like Adobe Acrobat, Microsoft Word, or other PDF editors may have options to export or save PDFs in different formats. **How do I password-protect a Basic Civil Engineering Tech Max PDF?** Most PDF editing software allows you to add password protection. In Adobe Acrobat, for instance, you can go to "File" -> "Properties" -> "Security" to set a password to restrict access or editing capabilities. Are there any free alternatives to Adobe Acrobat for working with PDFs? Yes, there are many free alternatives for working with PDFs, such as: LibreOffice: Offers PDF editing features. PDFsam: Allows splitting, merging, and editing PDFs. Foxit Reader: Provides basic PDF viewing and editing capabilities. How do I compress a PDF file? You can use online tools like Smallpdf, ILovePDF, or desktop software like Adobe Acrobat to compress PDF files without significant quality loss. Compression reduces the file size, making it easier to share and download. Can I fill out forms in a PDF file? Yes, most PDF viewers/editors like Adobe Acrobat, Preview (on Mac), or various online tools allow you to fill out forms in PDF files by selecting text fields and entering information. Are there any restrictions when working with PDFs? Some PDFs might have restrictions set by their creator, such as password protection, editing restrictions, or print restrictions. Breaking these restrictions might

require specific software or tools, which may or may not be legal depending on the circumstances and local laws.

Find Basic Civil Engineering Tech Max :

[living best practices for creators 86-1019 sustainable living best technology software for startups 86-191 wearable technology step by step 86-2483 AI tools explained for creators 86-733 AI tools for beginners sustainable living strategies for entrepreneurs 86-2468 sustainable 86-1205 mental wellness blueprint for small business 86-1761 mental business 86-1457 budget travel tips United States 86-2691 budget travel tools for startups 86-2610 business automation trends USA 86-651 86-1839 cloud computing checklist for small business 86-155 cloud step for creators 86-1331 SEO strategy step by step for entrepreneurs comparison USA 86-332 blockchain development examples America 86-873 creators 86-1067 luxury travel step by step for startups 86-2800 luxury 86-2895 luxury travel apps USA 86-2704 luxury travel apps for entrepreneurs 86-262 personal finance comparison for small business marketplace review USA 86-584 NFT marketplace review for small business development step by step for entrepreneurs 86-1095 blockchain](#)

Basic Civil Engineering Tech Max :

free scientology online courses from the scientology handbook - Mar 21 2022

web from the scientology handbook no matter the difficulties you may be facing in life scientology offers answers it provides an exact technology with step by step procedures you can use to handle problems and better your life and the lives of

handbook of scientology brill - Nov 28 2022

web the handbook of scientology brings together a collection of fresh studies of the most persistently controversial of all contemporary new religions in recent years increasing scholarly attention has been directed at the church of scientology see more copyright year 2017 e book pdf availability published isbn 978 90 04 33054 2

[the scientology handbook free download borrow and](#) - Sep 07 2023

web english xxxiii 871 p 29 cm includes bibliographical references and index access restricted item true addeddate 2022 10

03 14 01 49 associated names hubbard l ron la fayette ron 1911 1986

the scientology handbook tools for life amazon com - Sep 26 2022

web oct 15 2011 amazon com the scientology handbook tools for life hubbard l ron movies tv movies tv movies 857 3 99

delivery august 1 7 details or fastest delivery july 26 31 details select delivery location only 1 left in stock order soon buy now payment secure transaction ships from

[bibliography of scientology wikipedia](#) - Mar 01 2023

web the scientology handbook is an 871 page handbook published by the church of scientology although hubbard is listed as the sole author it is described as having been compiled by the lrh book compilation staff of the church of scientology international

the scientology handbook hardcover 2 oct 2004 - Dec 30 2022

web details or fastest delivery tomorrow 22 august order within 10 hrs 58 mins details select delivery location only 1 left in stock more on the way quantity add to basket buy now payment secure transaction dispatches from amazon sold by amazon returns returnable within 30 days of receipt payment secure transaction

planning for the future scientology handbook - Jun 23 2022

web the scientology handbook administrative scale the achievement of one s goals no matter how large or small the endeavor relies on goals purposes and activities being aligned and organized a goal is not something that one decides upon which then miraculously comes to fruition just because one decided it would

the scientology handbook tools for life by l ron hubbard - Jan 31 2023

web scientology handbook tools for life film the scientology handbook tools for life film offers tools to overcome problems and achieve a more fulfilling and happier life for no matter the situation something can be done about it read more buy 25

quantity language free shipping currently eligible for free shipping in stock

book the scientology handbook table of contents 1994 - Feb 17 2022

web the scientology handbook los angeles calif bridge publications pdf format

the scientology handbook l ron hubbard church of scientology - Jun 04 2023

web dec 31 1993 scientology ministers use them as handouts when dealing with particular issues most scientology materials seem to be written on an eight grade reading level those written by hubbard are extremely wordy it is an interesting book explaining many scientology processes and assists

the scientology handbook scientology volunteer ministers - Oct 28 2022

web scientology fundamentals for daily use in every part of life encompassing 19 separate bodies of technology here is the most comprehensive manual ever published on the basics of life each chapter contains key principles and technology for your

continual use also available as individual booklets

scientology tools for life - Aug 26 2022

web the film version of l ron hubbard s book the scientology handbook vividly brought to life in 19 individual chapters offers basic scientology principles and practical tools that anyone can learn and use to live a more successful fulfilling and happier life

the technology of study from the scientology handbook - May 23 2022

web may 31 1994 the technology of study from the scientology handbook paperback may 31 1994 by l ron hubbard author 4 1 37 ratings part of scientology handbook 4 books

free scientology online courses from the scientology handbook - Jul 05 2023

web online courses from the scientology handbook no matter the difficulties you may be facing in life scientology offers answers it provides an exact technology with step by step procedures you can use to handle problems and better your life and the lives of those around you

the scientology handbook hardcover abebooks - Apr 21 2022

web the scientology handbook hardcover 3 5 avg rating 44 ratings by goodreads hardcover isbn 10 0884048993 isbn 13 9780884048992 publisher bridge publications inc 1993 view all copies of this isbn edition synopsis about this title about this edition

the scientology handbook by l ron hubbard open library - Apr 02 2023

web oct 5 2022 this handbook contains the basic scientology principles and methods most often employed to help people get along better in interpersonal relationships be more successful in their work improve their family life and effectively help their friends family and associates do the same

scientology handbook how scientology can help you - Oct 08 2023

web this handbook contains the basic scientology principles and methods most often employed to help people get along better in interpersonal relationships be more successful in their work improve their family life and effectively

the scientology handbook tools for life google books - Jul 25 2022

web synopsis the scientology handbook tools for life film offers tools to overcome problems and achieve a more fulfilling and happier life for no matter the situation something can be done about it full description life s everyday difficulties and challenges can be overwhelming whether it s a failed marriage trouble raising a child

the scientology handbook by l ron hubbard goodreads - Aug 06 2023

web dec 1 1994 the scientology handbook l ron hubbard church of scientology 3 48 46 ratings 9 reviews look around and you see tangled lives and unhappy people multiply this and you see the pattern of our civilization behind this pattern is a lack of

workable answers to the problems people face in their lives i the scientology handbook

the scientology handbook ciltli kapak 2 ekim 2004 - May 03 2023

web the scientology handbook hubbard l ron amazon com tr kitap Çerez tercihlerinizi seçin Çerez bildirimimizde ayrıntılı şekilde açıklandığı üzere alışveriş yapmanızı sağlamak alışveriş deneyiminizi iyileştirmek ve hizmetlerimizi sunmak için gerekli olan çerezleri ve benzer araçları kullanırız

aspen plus study guide aspentech - Oct 06 2022

web this guide contains 100 coverage of all objectives for the aspen plus certification exam you can use as both a study tool and an on the job reference step 3 take aspen plus certification exam the total time for the certification exam is four hours
aspen plus information university of michigan - Jun 02 2022

web aspen plus information creating and simulating chemical reaction models with aspen plus 12 1 welcome to the aspen plus pages aspen plus is a software package designed to allow a user to build a process model and then simulate the model without tedious calculations our web module that has a full example of use of aspen

integration acm intro aspen plus researchgate - Jul 15 2023

web integration acm intro aspen plus when i try to integrate the acm model into aspen plus the following message appears the block is not square degrees of freedom dof is 1 in the

what i acm in aspen plus rchat technosolutions - Dec 28 2021

web 2 what i acm in aspen plus 2019 09 15 new volume covers the fundamentals of polymer membrane pore formation mechanisms covering not only a wide range of modeling techniques but also has various facets of membrane based applications thus this book can be an excellent source for a holistic perspective on membranes in general as well as a

how to export an aspen custom modeler unit to aspen plus - Jul 03 2022

web how to export an aspen custom modeler unit to aspen plus i have developed an alkaline electrolyser model in aspen custom modeler and now i want to export it to aspen plus both versions

aspen custom modeler quick and easy aspentech - Jun 14 2023

web build customized equipment models and integrate them in aspen plus and aspen hysys flowsheets link aspen custom modeler to microsoft excel via aspen simulation workbook vast physical property database

what i acm in aspen plus download only - May 01 2022

web what i acm in aspen plus hysys and aspen plus in process design mar 21 2021 the three stages of process design procedure are 1 conceptual design stage 2 preliminary using aspen plus in thermodynamics instruction jan 11 2023 a step by step guide for students and faculty on the use of aspen in teaching

aspen custom modeler science topic researchgate - Feb 10 2023

web jul 15 2023 have anyone a tutorial that learn how to run aspen custom modeler acm models in aspen plus or aspen hysys

what i acm in aspen plus pdf rdoforum gov - Jan 29 2022

web jul 12 2019 what i acm in aspen plus downloaded from rdoforum gov ie by guest reilly kylan proceedings of the acm sigplan symposium on principles practice of parallel programming elsevier optimization plays a key role in the design planning and operation of chemical and related processes for several decades techniques for solving

what i acm in aspen plus ludovic montastruc pdf harvard - May 13 2023

web aspen plus kamal i m al malah 2022 10 12 aspen plus comprehensive resource covering aspen plus v12 1 and demonstrating how to implement the program in versatile chemical process industries aspen plus chemical engineering applications facilitates the process of learning and later mastering aspen plus the market leading chemical

what is aspen plus chemengguy chemical engineering guy - Nov 07 2022

web aspen plus is actually a product from the american company aspen technologies aspentech you can even see their stock at nasdaq here as you can imagine they are doing just great

aspen plus model of an alkaline electrolysis system for hydrogen - Jan 09 2023

web feb 7 2020 since aspen plus does not include an operation unit for modelling an alkaline electrolysis cell stack in the present study an alkaline water electrolysis stack model has been integrated in aspen plus as a subroutine using aspen custom modeler acm

aspen plus 12 1 instructional tutorials university of washington - Sep 05 2022

web aspen tutorial 1 6 figure 4 completed mixer flowsheet data input all of the data input for aspen is entered in the data browser window this window can be opened by clicking on the eyeglass icon or by going to data data browser in the menu bar aspen has two features in the data browser window that can both help and hurt the user

development of an aspen plus model for the process of - Dec 08 2022

web aug 12 2022 the present work intended to develop a model in aspen plus to simulate bl electrolysis and consequently evaluate the performance of the bl electrolyzer aspen plus does not include a package for electrolyzers so it was necessary to use the aspen custom modeler acm tool the model developed in acm is valid for the following

aspen plus accessing university of michigan - Feb 27 2022

web click the start button in the lower left of the screen and select all programs move the cursor over aspen plus 12 1 and click on aspen plus user interface aspen plus will open and a widows installer window will also open if the installer asks you to specify the location of a file click on cancel and then again on cancel in the windows

aspen plus user guide ulisboa - Aug 04 2022

web vi aspen plus user guide version 10 2 7 physical property methods 7 1

how to run acm models in aspen plus researchgate - Aug 16 2023

web have anyone a tutorial that learn how to run aspen custom modeler acm models in aspen plus or aspen hysys

modeling membrane gas and vapor separation in the aspen plus - Apr 12 2023

web apr 18 2019 the advantage of the model created in acm is the ease of exporting and binding it to aspen plus after which it can be used in the same way as other models already available in the aspen plus library in this study a gas separation membrane module was created in the acm program and exported to aspen plus for further work

aspen plus chemical engineering applications 2nd edition - Mar 11 2023

web the second edition of aspen plus chemical engineering applications includes information on various new features that were embedded into aspen plus v12 1 and existing features which have been modified aspen custom modeler acm covering basic features to show how to merge customized models into aspen plus simulator new

what i acm in aspen plus download only etherpad arts ac - Mar 31 2022

web management system using the aspen custom modeler tm acm software package marketed by aspen technology inc the evaporator dynamic flowsheet models have been constructed to simulate the behavior of the evaporator systems the evaporator models are used to assist operations and planning the models

modern cartooning christopher hart s cartooning amazon com tr - Jul 13 2023

web with a fresh and easy to follow approach to cartooning christopher hart shows readers basic tips for creating a cast of the most hilarious outrageous characters inspired by

modern cartooning by christopher hart 2013 paperback - Nov 24 2021

web apr 15 2013 with a fresh and easy to follow approach to cartooning christopher hart shows readers basic tips for creating a cast of the most hilarious outrageous characters

cartooning the ultimate character design book hart - Oct 04 2022

web modern cartooning essential techniques for drawing today s popular cartoons hart christopher amazon com be books

modern cartooning by christopher hart penguin books australia - Aug 02 2022

web read modern cartooning essential techniques for drawing today s popular cartoons by christopher hart available from rakuten kobo aimed at beginner artists interested in

modern cartooning ebook by christopher hart rakuten kobo - Jul 01 2022

web buy modern cartooning essential techniques for drawing today s popular cartoons by christopher hart available in used condition with free delivery in the uk isbn

modern cartooning essential techniques for drawing today s - Mar 09 2023

web modern cartooning essential techniques for drawing today s popular cartoons christopher hart s cartooning hart c
amazon co uk books arts photography

modern cartooning by hart christopher biblio - Apr 29 2022

web find helpful customer reviews and review ratings for modern cartooning essential techniques for drawing today s
popular cartoons christopher hart s cartooning at

modern cartooning google books - Apr 10 2023

web modern cartooning essential techniques for drawing today s popular cartoons ebook written by christopher hart read
this book using google play books app on your pc

modern cartooning by christopher hart biblio - Jan 27 2022

web modern cartooning by christopher hart 2013 paperback hart christopher amazon com tr kitap

amazon com customer reviews modern cartooning essential - Mar 29 2022

web aimed at beginner artists interested in cartooning and at the countless fans of cartoons animation and comics

modern cartooning essential techniques for drawing - Feb 08 2023

web abebooks com modern cartooning essential techniques for drawing today s popular cartoons christopher hart s
cartooning 9780823007141 by hart christopher and

modern cartooning by christopher hart 2013 paperback - Dec 26 2021

web modern cartooning by christopher hart 2013 paperback on amazon com free shipping on qualifying offers modern
cartooning by christopher hart 2013 paperback

modern cartooning christopher hart books - May 11 2023

web mar 26 2013 modern cartooning essential techniques for drawing today s popular cartoons christopher hart clarkson
potter ten speed mar 26 2013 art 160

modern cartooning by christopher hart used 9780823007141 - May 31 2022

web christopher hart is the world s bestselling author of drawing and cartooning books his books have sold more than 3 1
million english language copies and have b this

modern cartooning by christopher hart penguin random - Feb 25 2022

web modern cartooning essential techniques for drawing today s popular cartoons christopher hart s cartooning by
christopher hart

modern cartooning by christopher hart 9780823007141 - Jun 12 2023

web with a fresh and easy to follow approach to cartooning christopher hart shows readers basic tips for creating a cast of
the most hilarious outrageous characters inspired by

modern cartooning essential techniques for drawing today s - Sep 03 2022

web apr 15 2013 with a fresh and easy to follow approach to cartooning christopher hart shows readers basic tips for creating a cast of the most hilarious outrageous characters

modern cartooning by christopher hart penguin books new - Oct 24 2021

how to draw cartoons with christopher hart youtube - Nov 05 2022

web may 6 2008 4 6 701 ratings see all formats and editions chris hart s how to draw books have sold in the several millions of copies now in his latest he delivers detailed

modern cartooning essential techniques for drawing - Aug 14 2023

web mar 26 2013 not only are cartoons a form of entertainment but they re an incredibly popular style of drawing with a fresh and easy to follow approach to cartooning

modern cartooning by christopher hart overdrive - Dec 06 2022

web oct 7 2019 christopher hart in this video i m going to draw a cartoon for you by using the principles from my new book learn to draw cartoons world s easiest cartooning

modern cartooning essential techniques for drawing - Jan 07 2023

web mar 26 2013 with a fresh and easy to follow approach to cartooning christopher hart shows readers basic tips for creating a cast of the most hilarious outrageous characters