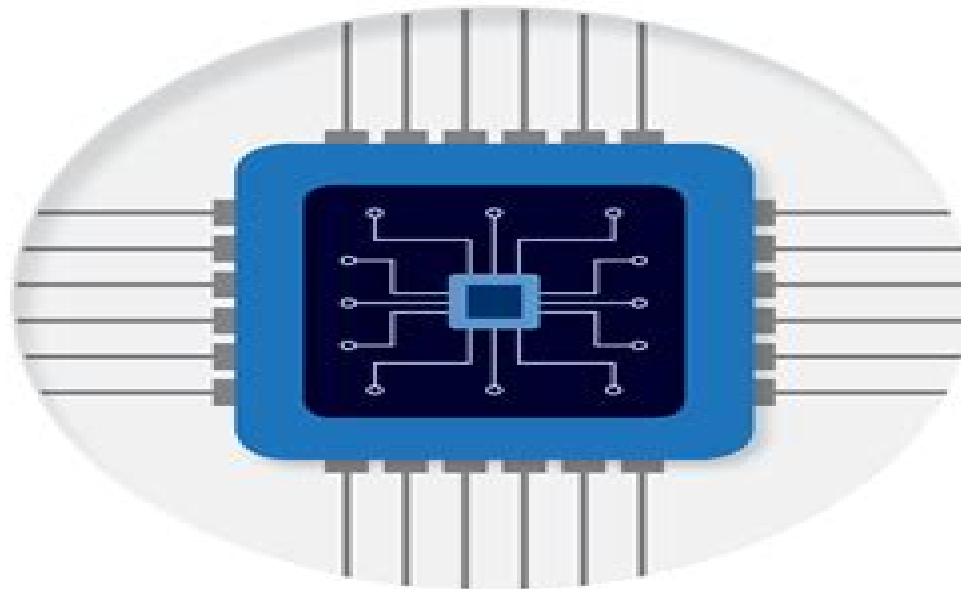


# SEDRA/SMITH

## Microelectronic Circuits

EIGHTH EDITION

ADEL S. SEDRA | KENNETH C. SMITH | TONY CHAN CARUSONE | VINCENT GAUDET



# Microelectronic Circuits 7th Edition

**WJ Hussar**



## **Microelectronic Circuits 7th Edition:**

Microelectronic Circuits 7th Edition Sedra,2014-11-14      *Microelectronic Circuits 7th Edition, International Edition*

Adel S. Sedra,Kenneth Carless Smith,2015      *Microelectronic Circuits 7th Edition Custom Liberty University*

Sedra/Smith,2016-05-23      *Microelectronic Circuits 7th Edition Custom I Penn State University* Sedra,2016-08-21

Microelectronic Circuits 7th Edition Custom II Penn State University Sedra,2016-08-21      *Elements of Electromagnetics*

Matthew N. O. Sadiku,2018 Taking a vector first approach this text provides a balanced presentation of a host of topics including electrostatics magnetostatics fields waves and applications like transmission lines waveguides and antennas The new edition includes new Application Notes detailing real world connections a revised math pre test for professors to assess students mathematical skills and new and updated problems      *Basic Electrical, Electronics and Measurement Engineering*

Mr. Yogesh Ramchandra Naik, Mr. Pritam Dadasaheb Desai, Mrs. Ashwini C. Patil, Mr. Shree S. Kesarkar,2026-02-24 *Basic Electrical Electronics and Measurement Engineering* deals with the fundamental principles of electrical circuits electronic devices and measurement techniques used in engineering applications It includes core electrical concepts such as voltage current resistance power and energy along with laws like Ohm s law and Kirchhoff s laws for circuit analysis The electronics part focuses on semiconductor devices such as diodes transistors and basic circuits like rectifiers and amplifiers It also covers AC and DC circuit behavior and components like resistors capacitors and inductors Measurement engineering involves the use of instruments to measure electrical quantities such as voltage current resistance and power accurately Concepts like accuracy precision calibration and error analysis are also included The subject helps in understanding how to design test and maintain electrical and electronic systems It is widely applied in industries laboratories and communication systems Overall it forms a strong foundation for advanced studies in electrical electronics and instrumentation engineering

*Elements of Power Electronics* Philip T. Krein,2015 *Elements of Power Electronics* features a unifying framework that includes the physical implications of circuit laws switching circuit analysis and the basis for converter operation and control It discusses dc dc ac dc dc ac and ac ac conversion tasks and principles of resonant converters and discontinuous converters The text also addresses magnetic device design thermal management and drivers for power semiconductors control system aspects of converters and both small signal and geometric controls Models for real devices and components including capacitors inductors wire connections and power semiconductors are developed in depth while newly expanded examples show students how to use tools like Mathcad Matlab and Mathematica to aid in the analysis and design of conversion circuits

**LINEAR AND DIGITAL IC APPLICATIONS** Mr.J.Vamsikrishna, Mrs.M.Prasanna, Dr.S.Suganya, Dr.O.Cyril Mathew,2025-11-22 *Integrated Circuits ICs* have transformed the landscape of modern electronics enabling compact reliable and high performance systems across all domains of engineering and technology This multi author book *Linear and Digital IC Applications* has been designed to provide a comprehensive understanding of the principles characteristics and practical

applications of both linear and digital integrated circuits The primary objective of this book is to offer students educators and electronics practitioners a strong foundation in IC theory while emphasizing real world implementation The chapters cover essential topics such as operational amplifiers timers voltage regulators combinational and sequential circuits logic families A D and D A converters and application oriented design practices Each chapter is written by subject experts ensuring accuracy clarity and depth As a multi author academic contribution the book brings together diverse expertise from faculty and researchers who specialize in analog and digital electronics Their combined experience enriches the content with practical insights circuit analysis techniques and application focused examples that align with industry requirements and modern technological trends This book also integrates laboratory level understanding by highlighting circuit behavior design methodologies troubleshooting approaches and commonly used ICs such as 741 555 723 7800 series 7476 74192 and various CMOS TTL families Special emphasis is placed on bridging theoretical concepts with hands on experimentation to support effective learning We gratefully acknowledge the contributions of the authors reviewers and academic institutions involved in this work Their commitment and collaborative efforts have ensured the successful completion of this volume We also appreciate the support of the publishing team for their guidance and cooperation throughout the process It is our hope that this book serves as a valuable resource for undergraduate students diploma learners faculty members and electronics hobbyists helping them build a strong foundation in linear and digital IC applications and inspiring them to explore advanced electronic system design

**Practical Audio Electronics** Kevin Robinson,2020-02-10 Practical Audio Electronics is a comprehensive introduction to basic audio electronics and the fundamentals of sound circuit building providing the reader with the necessary knowledge and skills to undertake projects from scratch Imparting a thorough foundation of theory alongside the practical skills needed to understand build modify and test audio circuits this book equips the reader with the tools to explore the sonic possibilities that emerge when electronics technology is applied innovatively to the making of music Suitable for all levels of technical proficiency this book encourages a deeper understanding through highlighted sections of advanced material and example projects including circuits to make alter and amplify audio providing a snapshot of the wide range of possibilities of practical audio electronics An ideal resource for students hobbyists musicians audio professionals and those interested in exploring the possibilities of hardware based sound and music creation

**Transistors!** Mark S Lundstrom,2022-12-19 Current leading edge CMOS transistors are about as small as they will get We now have a simple clear very physical understanding of how these devices function but it has not yet entered our textbooks Besides CMOS logic transistors power transistors are increasingly important as are III V heterostructure transistors for high frequency communication Transistor reliability is also important but rarely treated in introductory textbooks As we begin a new era in which making transistors smaller will no longer be a major driving force for progress it is time to look back at what we have learned in transistor research Today we see a need to convey as simply and clearly as possible the essential physics of the

device that makes modern electronics possible That is the goal of these lectures This volume rearranges the familiar topics and distills the most essential among them while adding most recent approaches which have become crucial to the discussion To follow the lectures readers need only a basic understanding of semiconductor physics Familiarity with transistors and electronic circuits is helpful but not assumed Related Link s [The Electronics Handbook](#) Jerry C. Whitaker,2018-10-03

During the ten years since the appearance of the groundbreaking bestselling first edition of The Electronics Handbook the field has grown and changed tremendously With a focus on fundamental theory and practical applications the first edition guided novice and veteran engineers along the cutting edge in the design production installation operation and maintenance of electronic devices and systems Completely updated and expanded to reflect recent advances this second edition continues the tradition The Electronics Handbook Second Edition provides a comprehensive reference to the key concepts models and equations necessary to analyze design and predict the behavior of complex electrical devices circuits instruments and systems With 23 sections that encompass the entire electronics field from classical devices and circuits to emerging technologies and applications The Electronics Handbook Second Edition not only covers the engineering aspects but also includes sections on reliability safety and engineering management The book features an individual table of contents at the beginning of each chapter which enables engineers from industry government and academia to navigate easily to the vital information they need This is truly the most comprehensive easy to use reference on electronics available **Books in Print** ,1991 **The Cumulative Book Index** ,1999 **Forthcoming Books** Rose Army,1998 [Cumulated Index to the Books](#) ,1999 **McGraw-Hill Concise Encyclopedia of Engineering** McGraw Hill,2005-06-15 Hundreds of well illustrated articles explore the most important fields of science Based on content from the McGraw Hill Concise Encyclopedia of Science Technooogy Fifth Edition the most widely used and respected science reference of its kind in print each of these subject specific quick reference guides features Detailed well illustrated explanations not just definitions Hundreds of concise yet authoritative articles in each volume An easy to understand presentation accessible and interesting to non specialists A portable convenient format Bibliographies appendices and other information supplement the articles *The Best Books for Academic Libraries: Science, technology, and agriculture* ,2002 **Active and Non-Linear Electronics** Thomas F. Schubert,Ernest M. Kim,1996-02-19 Focus is on the principles necessary to understand analyse and design electronic circuitry using currently available technologies **Microelectronic Circuits** Adel S. Sedra,Kenneth C. Smith,2010-07-29 This market leading textbook continues its standard of excellence and innovation built on the solid pedagogical foundation that instructors expect from Adel S Sedra and Kenneth C Smith All material in the international sixth edition of Microelectronic Circuits is thoroughly updated to reflect changes in technology CMOS technology in particular These technological changes have shaped the book s organization and topical coverage making it the most current resource available for teaching tomorrow s engineers how to analyze and design electronic circuits In addition end of chapter

problems unique to this version of the text help preserve the integrity of instructor assignments

Eventually, you will unquestionably discover a other experience and execution by spending more cash. nevertheless when? accomplish you receive that you require to get those every needs as soon as having significantly cash? Why dont you try to acquire something basic in the beginning? Thats something that will lead you to comprehend even more nearly the globe, experience, some places, in imitation of history, amusement, and a lot more?

It is your enormously own become old to put on an act reviewing habit. in the course of guides you could enjoy now is **Microelectronic Circuits 7th Edition** below.

<https://py.bijouxmedusa.com/data/book-search/fetch.php/Smart%20Home%20Tech%20Explained%20For%20Startups%203%2029%20Smart%20Home%20Tech%20For.pdf>

## **Table of Contents Microelectronic Circuits 7th Edition**

1. Understanding the eBook Microelectronic Circuits 7th Edition
  - The Rise of Digital Reading Microelectronic Circuits 7th Edition
  - Advantages of eBooks Over Traditional Books
2. Identifying Microelectronic Circuits 7th Edition
  - Exploring Different Genres
  - Considering Fiction vs. Non-Fiction
  - Determining Your Reading Goals
3. Choosing the Right eBook Platform
  - Popular eBook Platforms
  - Features to Look for in an Microelectronic Circuits 7th Edition
  - User-Friendly Interface
4. Exploring eBook Recommendations from Microelectronic Circuits 7th Edition
  - Personalized Recommendations
  - Microelectronic Circuits 7th Edition User Reviews and Ratings
  - Microelectronic Circuits 7th Edition and Bestseller Lists

5. Accessing Microelectronic Circuits 7th Edition Free and Paid eBooks
  - Microelectronic Circuits 7th Edition Public Domain eBooks
  - Microelectronic Circuits 7th Edition eBook Subscription Services
  - Microelectronic Circuits 7th Edition Budget-Friendly Options
6. Navigating Microelectronic Circuits 7th Edition eBook Formats
  - ePub, PDF, MOBI, and More
  - Microelectronic Circuits 7th Edition Compatibility with Devices
  - Microelectronic Circuits 7th Edition Enhanced eBook Features
7. Enhancing Your Reading Experience
  - Adjustable Fonts and Text Sizes of Microelectronic Circuits 7th Edition
  - Highlighting and Note-Taking Microelectronic Circuits 7th Edition
  - Interactive Elements Microelectronic Circuits 7th Edition
8. Staying Engaged with Microelectronic Circuits 7th Edition
  - Joining Online Reading Communities
  - Participating in Virtual Book Clubs
  - Following Authors and Publishers Microelectronic Circuits 7th Edition
9. Balancing eBooks and Physical Books Microelectronic Circuits 7th Edition
  - Benefits of a Digital Library
  - Creating a Diverse Reading Collection Microelectronic Circuits 7th Edition
10. Overcoming Reading Challenges
  - Dealing with Digital Eye Strain
  - Minimizing Distractions
  - Managing Screen Time
11. Cultivating a Reading Routine Microelectronic Circuits 7th Edition
  - Setting Reading Goals Microelectronic Circuits 7th Edition
  - Carving Out Dedicated Reading Time
12. Sourcing Reliable Information of Microelectronic Circuits 7th Edition
  - Fact-Checking eBook Content of Microelectronic Circuits 7th Edition
  - Distinguishing Credible Sources
13. Promoting Lifelong Learning

- Utilizing eBooks for Skill Development
  - Exploring Educational eBooks
14. Embracing eBook Trends
- Integration of Multimedia Elements
  - Interactive and Gamified eBooks

### **Microelectronic Circuits 7th Edition Introduction**

In the digital age, access to information has become easier than ever before. The ability to download Microelectronic Circuits 7th Edition has revolutionized the way we consume written content. Whether you are a student looking for course material, an avid reader searching for your next favorite book, or a professional seeking research papers, the option to download Microelectronic Circuits 7th Edition has opened up a world of possibilities. Downloading Microelectronic Circuits 7th Edition provides numerous advantages over physical copies of books and documents. Firstly, it is incredibly convenient. Gone are the days of carrying around heavy textbooks or bulky folders filled with papers. With the click of a button, you can gain immediate access to valuable resources on any device. This convenience allows for efficient studying, researching, and reading on the go. Moreover, the cost-effective nature of downloading Microelectronic Circuits 7th Edition has democratized knowledge. Traditional books and academic journals can be expensive, making it difficult for individuals with limited financial resources to access information. By offering free PDF downloads, publishers and authors are enabling a wider audience to benefit from their work. This inclusivity promotes equal opportunities for learning and personal growth. There are numerous websites and platforms where individuals can download Microelectronic Circuits 7th Edition. These websites range from academic databases offering research papers and journals to online libraries with an expansive collection of books from various genres. Many authors and publishers also upload their work to specific websites, granting readers access to their content without any charge. These platforms not only provide access to existing literature but also serve as an excellent platform for undiscovered authors to share their work with the world. However, it is essential to be cautious while downloading Microelectronic Circuits 7th Edition. Some websites may offer pirated or illegally obtained copies of copyrighted material. Engaging in such activities not only violates copyright laws but also undermines the efforts of authors, publishers, and researchers. To ensure ethical downloading, it is advisable to utilize reputable websites that prioritize the legal distribution of content. When downloading Microelectronic Circuits 7th Edition, users should also consider the potential security risks associated with online platforms. Malicious actors may exploit vulnerabilities in unprotected websites to distribute malware or steal personal information. To protect themselves, individuals should ensure their devices have reliable antivirus software installed and validate the legitimacy of the websites they are downloading from. In conclusion, the ability

to download Microelectronic Circuits 7th Edition has transformed the way we access information. With the convenience, cost-effectiveness, and accessibility it offers, free PDF downloads have become a popular choice for students, researchers, and book lovers worldwide. However, it is crucial to engage in ethical downloading practices and prioritize personal security when utilizing online platforms. By doing so, individuals can make the most of the vast array of free PDF resources available and embark on a journey of continuous learning and intellectual growth.

## FAQs About Microelectronic Circuits 7th Edition Books

**What is a Microelectronic Circuits 7th Edition PDF?** A PDF (Portable Document Format) is a file format developed by Adobe that preserves the layout and formatting of a document, regardless of the software, hardware, or operating system used to view or print it. **How do I create a Microelectronic Circuits 7th Edition PDF?** There are several ways to create a PDF: Use software like Adobe Acrobat, Microsoft Word, or Google Docs, which often have built-in PDF creation tools. Print to PDF: Many applications and operating systems have a "Print to PDF" option that allows you to save a document as a PDF file instead of printing it on paper. Online converters: There are various online tools that can convert different file types to PDF. **How do I edit a Microelectronic Circuits 7th Edition PDF?** Editing a PDF can be done with software like Adobe Acrobat, which allows direct editing of text, images, and other elements within the PDF. Some free tools, like PDFescape or Smallpdf, also offer basic editing capabilities. **How do I convert a Microelectronic Circuits 7th Edition PDF to another file format?** There are multiple ways to convert a PDF to another format: Use online converters like Smallpdf, Zamzar, or Adobe Acrobat's export feature to convert PDFs to formats like Word, Excel, JPEG, etc. Software like Adobe Acrobat, Microsoft Word, or other PDF editors may have options to export or save PDFs in different formats. **How do I password-protect a Microelectronic Circuits 7th Edition PDF?** Most PDF editing software allows you to add password protection. In Adobe Acrobat, for instance, you can go to "File" -> "Properties" -> "Security" to set a password to restrict access or editing capabilities. Are there any free alternatives to Adobe Acrobat for working with PDFs? Yes, there are many free alternatives for working with PDFs, such as: LibreOffice: Offers PDF editing features. PDFsam: Allows splitting, merging, and editing PDFs. Foxit Reader: Provides basic PDF viewing and editing capabilities. How do I compress a PDF file? You can use online tools like Smallpdf, ILovePDF, or desktop software like Adobe Acrobat to compress PDF files without significant quality loss. Compression reduces the file size, making it easier to share and download. Can I fill out forms in a PDF file? Yes, most PDF viewers/editors like Adobe Acrobat, Preview (on Mac), or various online tools allow you to fill out forms in PDF files by selecting text fields and entering information. Are there any restrictions when working with PDFs? Some PDFs might have restrictions set by their creator, such as password protection, editing restrictions, or print restrictions. Breaking these

restrictions might require specific software or tools, which may or may not be legal depending on the circumstances and local laws.

### **Find Microelectronic Circuits 7th Edition :**

**smart home tech explained for startups 3-29 smart home tech for**  
 digital marketing blueprint for small business 3-2743 digital marketing  
**America 3-504 side hustles roadmap for creators 3-2466 side hustles**  
 entrepreneurs 3-759 VPN services examples America 3-205 VPN services  
**blog monetization best practices for entrepreneurs 3-1789 blog**  
 entrepreneurs 3-2233 small business ideas best practices America 3-477  
**creators 3-2168 content marketing tools for creators 3-2575 content**  
**ideas USA 3-2553 sustainable living ideas United States 3-36 sustainable**  
**for startups 3-894 cloud computing guide America 3-1816 cloud computing**  
**business 3-2537 self improvement ideas United States 3-937 self**  
 business 3-1522 sustainable living ideas for small business 3-2952  
 business 3-621 *blog monetization tutorial America 3-75 blog monetization*  
**content marketing tools America 3-1474 content marketing tools for**  
*parenting tips strategies for startups 3-421 parenting tips tips America*  
United States 3-251 retirement planning tips United States 3-512

### **Microelectronic Circuits 7th Edition :**

California Real Estate Principles 15th Edition Walt Huber Real Estate Final Exam - 100 Questions. 100 terms. Profile Picture · lauramiy. Preview. California Real Estate Principles, 11th ed. 100 terms. Profile Picture. California Real Estate Principles Huber Final Exam California Real Estate Principles Huber Final Exam california-real-estate-principles-huber-final-exam. 5. Downloaded from usa.tgifridays.com on. 2022-08-30 by ... California Real Estate Principles Huber Final Exam Pdf California Real Estate Principles Huber Final Exam Pdf. INTRODUCTION California Real Estate Principles Huber Final Exam Pdf (PDF) How To Pass the California Real Estate Examination This Exam Preparation Textbook expands on the California Real Estate Principle's Class very well, and has 850 Questions with Detailed Answer Explanations. The ... Real Estate Principles Online Course w/textbook California Real Estate Principles 16th Edition by Walt Huber. ISBN ... Completion of the course means

taking and passing the course final examination. Once ... Principles Course Review for Final Exam - California Real ... Free read California real estate principles huber final exam ... May 8, 2023 — ... to scientific research in any way. in the middle of them is this california real estate principles huber final exam that can be your partner. RE 300 : Real Estate Principles - American River College Real Estate Principles FINAL EXAMINATION BOOKS 1. In real estate the word tenancy ... An example of a final exam in California License Preparation test. Real ... Read free California real estate principles huber final exam ... May 8, 2023 — Thank you very much for downloading california real estate principles huber final exam. Maybe you have knowledge that, people have look ... California Real Estate Principles, 11 th ed., by Walt Huber ... Real Estate Final Examination Practice El Camino College & Inglewood One Stop 1. Leyland 344 Tractor Operators Manual Operator's Manual · THIS IS A MANUAL PRODUCED BY JENSALES INC. WITHOUT THE AUTHORIZATION OF · LEYLAND OR IT'S SUCCESSORS. LEYLAND AND IT'S SUCCESSORS · ARE NOT ... Leyland Tractor Manuals Manuals · \*Leyland Key Chain/\$1.25 or Free w/\$10 Purchase · Handbook/270 - AKD7487A · Handbook/272 - AKD7487 · Handbook/344 - AKD7416 · Handbook/384 - AKD7416/A. Leyland "344" Tractor Operator Handbook Manual A 70 page Operator's Handbook for the Leyland "344" Tractor. Reproduced from an original that would have been supplied with the tractor when new. Leyland 344 Tractor Operator's Manual Browse the free pdf preview of the Leyland 344 Tractor Operators Manual (mobile users click here). Manuals are specific to your make and model. Misc. Tractors Leyland 344 Dsl Service Manual Our Misc. Tractors Leyland 344 Dsl Service Manual is a high-quality reproduction of factory manuals from the OEM (Original Equipment Manufacturer). Leyland 344 Operator's Handbook Operating Instructions. Leyland Nuffield 344 Tractor Handbook. Reproduced from an original handbook that would have been supplied with the tractor when new. Leyland 344 384 Workshop Manual Workshop Manual for the Leyland 344 and 384 Tractors. Covers body work, brakes, clutch, cooling system, electrical, engine, final drive & reduction gears, front ... Leyland 250, 270, 344, 384 Tractor Service Manual Leyland 250, 270, 344, 384 Tractor Service Manual ; ASIN, B011T12G6O ; Unknown Binding, 0 pages ; Customer Reviews, 4.6 out of 5 stars 5Reviews ; Important ... Leyland Nuffield Tractor 344 & 384 Workshop Service ... Leyland Nuffield Tractor 344 & 384 Workshop Service Manual ; AGRIMANUALS (30631) ; Approx. \$35.55. + \$17.78 shipping ; Breathe easy. Returns accepted. ; People want ... Leyland 250, 270, 344, 384 Tractor Service Manual Our Repair Manual, also known as service manual or shop manual show you how to disassemble and reassemble your tractor. These manuals are authentic ... Magnets and Motors Teacher's Guide Magnets and Motors Teacher's Guide ... Only 1 left in stock - order soon. ... Shows a little shelf wear. Cover, edges, and corners show the most. Pages are clean ... Magnets and Motors: Teacher's Guide A powerful way to foster appreciation for the impact of science and critical and innovative thinking is through art and the humanities. Learn more about the ... Magnets and Motors: Teacher's Guide Jan 1, 1991 — Magnets and Motors: Teacher's Guide · From inside the book · Contents · Common terms and phrases · Bibliographic information. Title ... Magnets and Motors Teacher's Guide -

National Science ... Magnets and Motors Teacher's Guide by National Science Resources Center - ISBN 10: 0892786922 - ISBN 13: 9780892786923 - National Academy of Sciences. STC Assessment Guide: Magnets and Motors Daily formative assessments gauge student knowledge and let you know whether they are grasping key science concepts. The 15-to 20-question summative assessment ... STC MAGNETS & MOTORS KIT Mar 30, 2015 — Magnets & Motors - 6th Grade. NGSS Curriculum Redesign. 6th magnets and motors - UNIT GUIDE. 46. 3/30/2015 11:40 PM. Science of Electricity ... Magnet Motors Teacher Guide - Green Design Lab Magnet Motors Teacher Guide · Related Articles · Our Programs. Magnets and Electricity STEM, Free PDF Download Our Magnets and Electricity STEM lesson plan explores the world of electromagnetism and teaches students how this phenomenon works. Free PDF download! Lesson By Lesson Guide Magnetism & Electricity (FOSS Kit) It is helpful to model connections with the D-Cell and motor for students. ... Teachers Guide. Science Notebook Helper. - Students record the focus question ... 10-Easy-Steps-to-Teaching-Magnets-and-Electricity.pdf Mar 19, 2020 — Electric Motors. Objective: To learn how an electric motor works by building one. In addition to the great lessons and experiments, this book ...