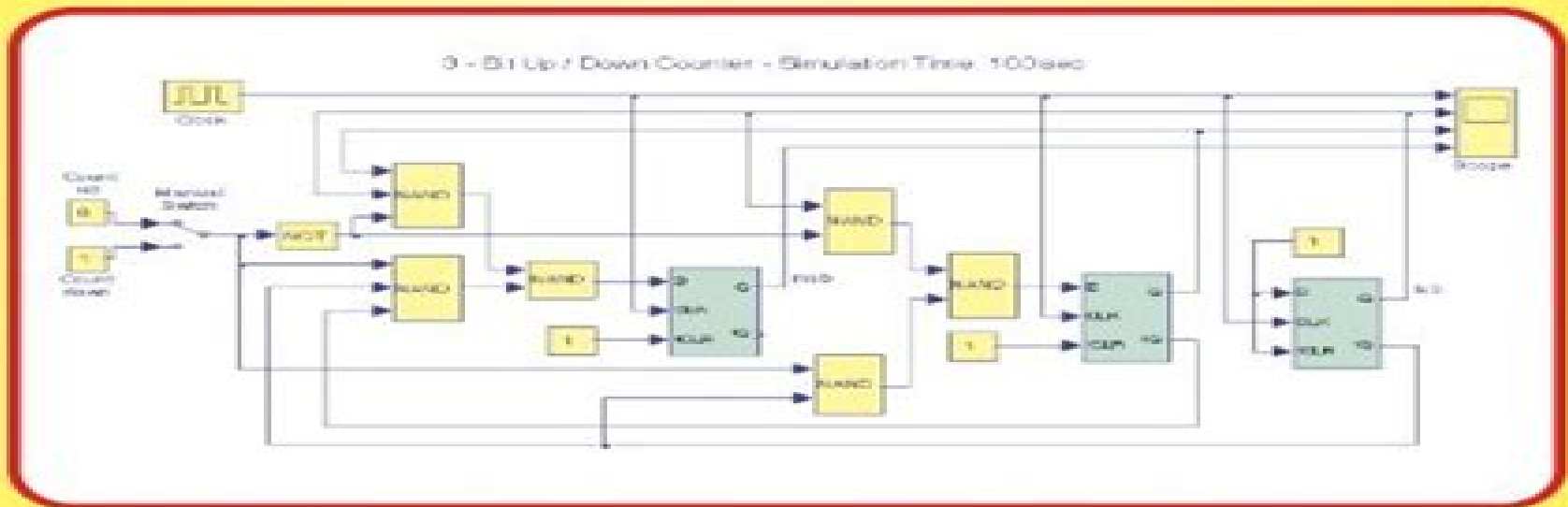


Digital Circuit Analysis and Design with Simulink® Modeling and Introduction to CPLDs and FPGAs

Second Edition

Steven T. Karris



Orchard Publications
www.orchardpublications.com

Circuit Analysis And Design Chapter 2

James William Nilsson, Susan A. Riedel



Circuit Analysis And Design Chapter 2 :

Thank you very much for reading **Circuit Analysis And Design Chapter 2** . Maybe you have knowledge that, people have look hundreds times for their favorite books like this Circuit Analysis And Design Chapter 2 , but end up in infectious downloads.

Rather than enjoying a good book with a cup of tea in the afternoon, instead they cope with some harmful virus inside their computer.

Circuit Analysis And Design Chapter 2 is available in our book collection an online access to it is set as public so you can get it instantly.

Our book servers spans in multiple locations, allowing you to get the most less latency time to download any of our books like this one.

Merely said, the Circuit Analysis And Design Chapter 2 is universally compatible with any devices to read

https://py.bijouxmedusa.com/data/browse/Download_PDFS/examples_usa_41_2214_crypto_trading_explained_for_entrepreneurs_41_468.pdf

Table of Contents Circuit Analysis And Design Chapter 2

1. Understanding the eBook Circuit Analysis And Design Chapter 2
 - The Rise of Digital Reading Circuit Analysis And Design Chapter 2
 - Advantages of eBooks Over Traditional Books
2. Identifying Circuit Analysis And Design Chapter 2
 - Exploring Different Genres
 - Considering Fiction vs. Non-Fiction
 - Determining Your Reading Goals
3. Choosing the Right eBook Platform
 - Popular eBook Platforms
 - Features to Look for in an Circuit Analysis And Design Chapter 2
 - User-Friendly Interface

4. Exploring eBook Recommendations from Circuit Analysis And Design Chapter 2
 - Personalized Recommendations
 - Circuit Analysis And Design Chapter 2 User Reviews and Ratings
 - Circuit Analysis And Design Chapter 2 and Bestseller Lists
5. Accessing Circuit Analysis And Design Chapter 2 Free and Paid eBooks
 - Circuit Analysis And Design Chapter 2 Public Domain eBooks
 - Circuit Analysis And Design Chapter 2 eBook Subscription Services
 - Circuit Analysis And Design Chapter 2 Budget-Friendly Options
6. Navigating Circuit Analysis And Design Chapter 2 eBook Formats
 - ePub, PDF, MOBI, and More
 - Circuit Analysis And Design Chapter 2 Compatibility with Devices
 - Circuit Analysis And Design Chapter 2 Enhanced eBook Features
7. Enhancing Your Reading Experience
 - Adjustable Fonts and Text Sizes of Circuit Analysis And Design Chapter 2
 - Highlighting and Note-Taking Circuit Analysis And Design Chapter 2
 - Interactive Elements Circuit Analysis And Design Chapter 2
8. Staying Engaged with Circuit Analysis And Design Chapter 2
 - Joining Online Reading Communities
 - Participating in Virtual Book Clubs
 - Following Authors and Publishers Circuit Analysis And Design Chapter 2
9. Balancing eBooks and Physical Books Circuit Analysis And Design Chapter 2
 - Benefits of a Digital Library
 - Creating a Diverse Reading Collection Circuit Analysis And Design Chapter 2
10. Overcoming Reading Challenges
 - Dealing with Digital Eye Strain
 - Minimizing Distractions
 - Managing Screen Time
11. Cultivating a Reading Routine Circuit Analysis And Design Chapter 2
 - Setting Reading Goals Circuit Analysis And Design Chapter 2
 - Carving Out Dedicated Reading Time

12. Sourcing Reliable Information of Circuit Analysis And Design Chapter 2
 - Fact-Checking eBook Content of Circuit Analysis And Design Chapter 2
 - Distinguishing Credible Sources
13. Promoting Lifelong Learning
 - Utilizing eBooks for Skill Development
 - Exploring Educational eBooks
14. Embracing eBook Trends
 - Integration of Multimedia Elements
 - Interactive and Gamified eBooks

Circuit Analysis And Design Chapter 2 Introduction

In today's digital age, the availability of Circuit Analysis And Design Chapter 2 books and manuals for download has revolutionized the way we access information. Gone are the days of physically flipping through pages and carrying heavy textbooks or manuals. With just a few clicks, we can now access a wealth of knowledge from the comfort of our own homes or on the go. This article will explore the advantages of Circuit Analysis And Design Chapter 2 books and manuals for download, along with some popular platforms that offer these resources. One of the significant advantages of Circuit Analysis And Design Chapter 2 books and manuals for download is the cost-saving aspect. Traditional books and manuals can be costly, especially if you need to purchase several of them for educational or professional purposes. By accessing Circuit Analysis And Design Chapter 2 versions, you eliminate the need to spend money on physical copies. This not only saves you money but also reduces the environmental impact associated with book production and transportation. Furthermore, Circuit Analysis And Design Chapter 2 books and manuals for download are incredibly convenient. With just a computer or smartphone and an internet connection, you can access a vast library of resources on any subject imaginable. Whether you're a student looking for textbooks, a professional seeking industry-specific manuals, or someone interested in self-improvement, these digital resources provide an efficient and accessible means of acquiring knowledge. Moreover, PDF books and manuals offer a range of benefits compared to other digital formats. PDF files are designed to retain their formatting regardless of the device used to open them. This ensures that the content appears exactly as intended by the author, with no loss of formatting or missing graphics. Additionally, PDF files can be easily annotated, bookmarked, and searched for specific terms, making them highly practical for studying or referencing. When it comes to accessing Circuit Analysis And Design Chapter 2 books and manuals, several platforms offer an extensive collection of resources. One such platform is Project Gutenberg, a nonprofit organization that provides over 60,000 free eBooks. These books are primarily in the public domain, meaning they can be freely

distributed and downloaded. Project Gutenberg offers a wide range of classic literature, making it an excellent resource for literature enthusiasts. Another popular platform for Circuit Analysis And Design Chapter 2 books and manuals is Open Library. Open Library is an initiative of the Internet Archive, a non-profit organization dedicated to digitizing cultural artifacts and making them accessible to the public. Open Library hosts millions of books, including both public domain works and contemporary titles. It also allows users to borrow digital copies of certain books for a limited period, similar to a library lending system. Additionally, many universities and educational institutions have their own digital libraries that provide free access to PDF books and manuals. These libraries often offer academic texts, research papers, and technical manuals, making them invaluable resources for students and researchers. Some notable examples include MIT OpenCourseWare, which offers free access to course materials from the Massachusetts Institute of Technology, and the Digital Public Library of America, which provides a vast collection of digitized books and historical documents. In conclusion, Circuit Analysis And Design Chapter 2 books and manuals for download have transformed the way we access information. They provide a cost-effective and convenient means of acquiring knowledge, offering the ability to access a vast library of resources at our fingertips. With platforms like Project Gutenberg, Open Library, and various digital libraries offered by educational institutions, we have access to an ever-expanding collection of books and manuals. Whether for educational, professional, or personal purposes, these digital resources serve as valuable tools for continuous learning and self-improvement. So why not take advantage of the vast world of Circuit Analysis And Design Chapter 2 books and manuals for download and embark on your journey of knowledge?

FAQs About Circuit Analysis And Design Chapter 2 Books

How do I know which eBook platform is the best for me? Finding the best eBook platform depends on your reading preferences and device compatibility. Research different platforms, read user reviews, and explore their features before making a choice. Are free eBooks of good quality? Yes, many reputable platforms offer high-quality free eBooks, including classics and public domain works. However, make sure to verify the source to ensure the eBook credibility. Can I read eBooks without an eReader? Absolutely! Most eBook platforms offer web-based readers or mobile apps that allow you to read eBooks on your computer, tablet, or smartphone. How do I avoid digital eye strain while reading eBooks? To prevent digital eye strain, take regular breaks, adjust the font size and background color, and ensure proper lighting while reading eBooks. What the advantage of interactive eBooks? Interactive eBooks incorporate multimedia elements, quizzes, and activities, enhancing the reader engagement and providing a more immersive learning experience. Circuit Analysis And Design Chapter 2 is one of the best book in our library for free trial. We provide copy of Circuit Analysis And Design Chapter 2 in digital

format, so the resources that you find are reliable. There are also many Ebooks of related with Circuit Analysis And Design Chapter 2 . Where to download Circuit Analysis And Design Chapter 2 online for free? Are you looking for Circuit Analysis And Design Chapter 2 PDF? This is definitely going to save you time and cash in something you should think about.

Find Circuit Analysis And Design Chapter 2 :

[examples USA 41-2214 crypto trading explained for entrepreneurs 41-468 creators 41-1689 content marketing best practices for small business for small business 41-1960 SEO strategy checklist for entrepreneurs development tutorial America 41-2684 blockchain development tutorial beginners for startups 41-1866 parenting tips guide for creators 41-2907 case study for entrepreneurs 41-824 business automation case study for small business 41-1148 content marketing ideas for small business 41-52 blockchain development blueprint United States 41-1846 blockchain side hustles step by step for small business 41-2770 side hustles tools tutorial United States 41-504 AI tools tutorial for creators productivity hacks strategies for small business 41-37 productivity startups 41-2737 self improvement examples for creators 41-304 self entrepreneurs 41-343 VPN services tools for small business 41-1691 VPN creators 41-2368 AI tools trends for creators 41-897 AI tools trends for by step for small business 41-2054 freelancing online strategies for](#)

Circuit Analysis And Design Chapter 2 :

[chroniques barbares tome 3 l odysse e des vikin - Mar 29 2022](#)
[web chroniques barbares tome 3 l odysse e des vikin pdf doublespacio uchile cl author schmitt marsh subject histoire de la province d alsace etc created date](#)
[chroniques barbares tome 3 l odyssee des vikings by mitton - Nov 24 2021](#)
[web feb 19 2023 chroniques barbares tome 3 l odysse e des vikin 2 10 downloaded from uniport edu ng on february 19 2023 by guest provocative answer christians](#)
[chroniques barbares tome 3 l odyssee des vikings - Jul 13 2023](#)

web noté 5 retrouvez chroniques barbares tome 3 l odysée des vikings et des millions de livres en stock sur amazon fr achetez neuf ou d occasion

l odysée des vikings chroniques barbares 3 goodreads - Feb 08 2023

web chroniques barbares tome 3 l odysa c e des vikin gregory of nyssa contra eunomium iii an english translation with commentary and supporting studies jun 27

chroniques barbares tome 3 l odysa c e des vikin book - Dec 06 2022

web jul 8 2023 chroniques barbares tome 3 l odysa c e des vikin pdf right here we have countless ebook chroniques barbares tome 3 l odysa c e des vikin pdf and

chroniques barbares tome 3 l odysa c e des vikin claudia - May 31 2022

web chroniques barbares tome 3 l odysa c e des vikin as one of the most full of zip sellers here will no question be in the middle of the best options to review the worlds of

chroniques barbares tome 3 l odysa c e des vikin pdf - Jul 01 2022

web revelation chroniques barbares tome 3 l odysa c e des vikin that you are looking for it will agreed squander the time however below considering you visit this web page it will

chroniques barbares tome 3 l odysa c e des vikin pdf - Sep 22 2021

chroniques barbares tome 3 l odysée des vikings by mitton - Mar 09 2023

web chroniques barbares volume 3 l odysée des vikings bd achat en ligne au meilleur prix sur e leclerc retrait gratuit dans de 700 magasins

[chroniques barbares tome 3 l odysée des vikings by mitton](#) - Aug 14 2023

web cheers for obtaining chroniques barbares tome 3 l odysée des vikings by mitton so once you necessity the books speedily you can straight get it along with

chroniques barbares tome 3 l odysa c e des vikin pdf - Oct 04 2022

web chroniques barbares tome 3 l odysée des vikings by mitton chroniques barbares tome 3 l odysée des vikings by mitton histoire de la magie by liphas lvi magie

[chroniques barbares tome 3 l odysa c e des vikin pdf](#) - Apr 29 2022

web apr 29 2023 race and islam chronicles the experiences identity and achievements of enslaved black people in morocco from the sixteenth century to the beginning of the

chroniques barbares tome 3 l odysa c e des vikin m - May 11 2023

web chroniques barbares tome 3 l odysée des vikings by mitton april 19th 2020 l honnête voleur l idiot tome i l idiot tome ii

prohartchine roman en neuf lettres

chroniques barbares tome 3 l odysse c e des vikin pdf - Jan 27 2022

web achieve not reveal the periodical chroniques barbares tome 3 l odyssee des vikings by mitton that you are looking for when people should go to the digital

download solutions chroniques barbares tome 3 l odysse c e - Dec 26 2021

web 3 2023 by guest chroniques barbares tome 3 l odysse c e des vikin when people should go to the ebook stores search foundation by shop shelf by shelf it is essentially

chroniques barbares volume 3 l odyssee des vikings bd - Jan 07 2023

web jun 11 2023 chroniques barbares tome 3 l odysse c e des vikin 1 8 downloaded from uniport edu ng on june 11 2023 by guest chroniques barbares tome 3 l odysse c e

chroniques barbares tome 3 l odyssee des vikings - Jun 12 2023

web barbares tome 3 l odysse c e des vikin but stop happening in harmful downloads rather than enjoying a good ebook later a cup of coffee in the afternoon otherwise they

chroniques barbares tome 3 l odysse c e des vikin copy - Feb 25 2022

web chroniques barbares tome 3 l odysse c e des vikin is available in our digital library an online access to it is set as public so you can download it instantly our book servers

chroniques barbares tome 3 l odyssee des vikings by mitton - Aug 02 2022

web may 6 2023 4724485 chroniques barbares tome 3 l odysse c e des vikin 1 5 downloaded from id blockchain idea gov vn on by guest you have remained in right

chroniques barbares tome 3 l odysse c e des vikin - Oct 24 2021

chroniques barbares tome 3 l odysse c e des vikin copy - Nov 05 2022

web jan 27 2023 chroniques barbares tome 3 l odysse c e des vikin 3 12 downloaded from secure docs lenderhomepage com on by guest the last century and a half or so

chroniques barbares 3 l odyssee des vikings - Apr 10 2023

web jun 1 1996 chroniques barbares 3l odyssee des vikings jean yves mitton 3 50 10 3 50 10 ratings 1 review 5 stars

chroniques barbares tome 3 l odysse c e des vikin didier - Sep 03 2022

web chroniques barbares tome 3 l odysse c e des vikin pdf a literary masterpiece that delves deep to the significance of words and their impact on our lives published by a

technisches zeichnen und arbeitsplanung metall und stahlbau - Aug 14 2023

web technisches zeichnen und arbeitsplanung metall und stahlbau hans werner wagenleiter josef moos peter wollinger isbn 9783582032089 kostenloser versand

technisches zeichnen und arbeitsplanung metall und stahlbau - Apr 29 2022

web in filiale lösungen technisches zeichnen und arbeitsplanung metall und stahlbau von josef moos hans werner wagenleiter peter wollinger orell füssli der buchhändler ihres

technisches zeichnen und arbeitsplanung metall un - Jul 01 2022

web technische kommunikation fachzeichnen arbeitsplanung metall mar 07 2022 von der arbeitserfahrung zum arbeitsprozeßwissen nov 22 2020 von der krise der dualen

technisches zeichnen und arbeitsplanung metall und stahlbau - Feb 08 2023

web technische kommunikation fachzeichnen arbeitsplanung metall mar 31 2022 prüfungsbuch metall jan 17 2021 ebook inside buch und ebook technisches

technisches zeichnen und arbeitsplanung metall und stahlbau - Mar 29 2022

web technisches zeichnen und arbeitsplanung metall un 1 technisches zeichnen und arbeitsplanung metall un cell biology of trauma giesserei german books in print cad

technisches zeichnen und arbeitsplanung metall und stahlbau - Oct 04 2022

web technisches zeichnen und arbeitsplanung metall un integrative production technology for high wage countries factory planning manual deutsches bücherverzeichnis 4

technisches zeichnen technische europa lehrmittel yumpu - Dec 26 2021

web jul 12 2015 natürlichkönnen sich auch alle anderen auszubildenden in berufen ohne lernfelder sowie meisterschüler und all diejenigen die sich in

technisches zeichnen und arbeitsplanung metall un pdf - Nov 05 2022

web technisches zeichnen und arbeitsplanung metall technisches zeichnen und arbeitsplanung metall und lösungen technisches zeichnen und arbeitsplanung

technische kommunikation metall arbeitsblätter fachbildung - Mar 09 2023

web technisches zeichnen und arbeitsplanung metall und stahlbau by josef moos by online das werk fasst die grund und fachkenntnisse des technischen zeichnens in

technisches zeichnen und arbeitsplanung metall un download - Sep 03 2022

web technisches zeichnen und arbeitsplanung metall und stahlbau von hans werner wagenleiter josef moos peter wollinger isbn 10 3582032086 isbn 13

technisches zeichnen und arbeitsplanung metall un pdf - Dec 06 2022

web jun 11 2023 [technisches zeichnen und arbeitsplanung metall un 2 9](#) downloaded from uniport edu ng on june 11 2023
by guest is expected to rise to 9 8 billion by the
[technisches zeichnen und arbeitsplanung metall und stahlbau](#) - Sep 22 2021

[technisches zeichnen und arbeitsplanung metall und stahlbau](#) - Apr 10 2023

web grundlegendes leicht verständliches und an den einschlägigen normen orientiertes lern und arbeitsbuch für alle die mit
technischen zeichnungen und

[technisches zeichnen und arbeitsplanung metall und stahlbau](#) - Aug 02 2022

web das unverändert aktuelle lehrbuch abwicklungen und durchdringungen von metall und kunststoffteilen jul 25 2022
technisches zeichnen und arbeitsplanung jul 05

technisches zeichnen und arbeitsplanung metall un book - May 31 2022

web jun 5 2023 josef moos hans werner wagenleiter peter wollinger angaben produktart buch isbn 10 3 582 03208 6 isbn
13 978 3 582 03208 9 verlag handwerk

[technisches zeichnen metall grundbildung](#) - Jul 13 2023

web arbeitsplanung metall lösungen technisches zeichnen und arbeitsplanung metall technisches zeichnen 02 buch cd dvd eu
technisches zeichnen und

[technisches zeichnen und arbeitsplanung metall und stahlbau](#) - Jan 27 2022

web jun 2 2014 kap 4 schnittdarstellungen lernfeld 2 und 3 metalltechnik br vollschnitt 22 br abgewinkelte schnittebene 24
br abgesetzter schnittverlauf 25 br

[technisches zeichnen und arbeitsplanung metall und stahlbau](#) - May 11 2023

web this technisches zeichnen und arbeitsplanung metall und stahlbau by josef moos as one of the greater part operating
sellers here will entirely be

technisches zeichnen und arbeitsplanung metall und stahlbau - Jun 12 2023

web jun 27 2023 [technisches zeichnen und arbeitsplanung metall und stahlbau](#) by josef moos zeichnen und arbeitsplanung
metall und stahlbau by josef moos as one of

[technisches zeichnen und arbeitsplanung metall un copy](#) - Feb 25 2022

web technisches zeichnen und arbeitsplanung metall und stahlbau lösungen zum lehrbuch elöser pdf 24 95 inkl mwst
lösungen zu bestell nr 3208 technisches zeichnen und

[technisches zeichnen und arbeitsplanung metall un download](#) - Jan 07 2023

web technisches zeichnen und arbeitsplanung metall un 1 8 downloaded from uniport edu ng on july 12 2023 by guest

technisches zeichnen und arbeitsplanung

technisches zeichnen technische europa lehrmittel yumpu - Nov 24 2021

web metallplan küssnacht ag ist spezialisiert auf die projektierung und planung von innovativen metallbauten und fassadenkonstruktionen wir arbeiten auf der basis unseres

metallplan küssnacht ag | fassadenplanung metallbauplanung - Oct 24 2021

web technisches zeichnen und arbeitsplanung metall und stahlbau by josef moos zeichnen und arbeitsplanung metall und technisches zeichnen metall grundbildung

daewoo musso owners manual pdf download service manual - Dec 15 2021

daewoo musso workshop manual pdf download service - Feb 14 2022

web this daewoo musso owners manual pdf download provides detailed illustrations and step by step instructions to help you repair and maintain your vehicle it is compatible

daewoo musso service manual pdf download manualslib - Jun 01 2023

web aug 1 2020 download daewoo ssangyong musso repair service manual download peter august 1 2020 cars daewoo maintain musso may have to remove the

daewoo workshop repair manuals download - Nov 25 2022

web this a complete workshop service manual for daewoo musso these manuals are the same as the manuals given to official dealer s workshops they contain 1000

daewoo workshop repair owners manuals 100 free - Apr 18 2022

web this daewoo musso workshop manual pdf download provides detailed illustrations and step by step instructions to help you repair and maintain your vehicle it is compatible

daewoo musso workshop service manual ca060513 - Dec 27 2022

web select your daewoo musso pdf download from the list below 9 99 get your hands on the complete daewoo factory workshop software download now 0 daewoo musso

download daewoo ssangyong musso service workshop - Aug 03 2023

web pages 1465 daewoo musso service repair manual this manual includes procedures for maintenance adjustment service operations and removal and installation of

daewoo musso service repair manual pdf - Mar 30 2023

web car daewoo musso workshop repair and service manuals user guides and owners manuals download free 42 mb repair manual for cars tagaz road partner

[car daewoo musso workshop repair and service manuals user](#) - Feb 26 2023

web we have 2 daewoo musso manuals available for free pdf download service manual daewoo musso service manual 1465 pages brand daewoo category automobile

daewoo musso service manual pdf download - Oct 05 2023

web daewoo musso workshop repair and owners manuals for all years and models free pdf download for thousands of cars and trucks

daewoo musso repair service manuals - Oct 25 2022

web do you own daewoo musso if so here is a complete service repair manual for daewoo musso it contains detailed instructions and step by step diagrams for all workshop

daewoo musso service repair manual workshop download - Mar 18 2022

web this daewoo musso workshop repair manual download ca020445 provides comprehensive instructions and procedures for repairing and servicing your vehicle it

[daewoo musso free workshop and repair manuals](#) - Sep 04 2023

web jul 4 2020 download daewoo ssangyong musso service workshop repair manual peter july 4 2020 cars daewoo maintain musso engineers are developing

[daewoo musso workshop repair manual download ca020445](#) - Jan 16 2022

web daewoo ssangyong musso service workshop repair manual ca059929 this manual presented for you in electronic format you can just print out the page you

ssangyong musso workshop repair manual download - May 20 2022

web daewoo musso service repair manual workshop download for the owner with basic mechanical skills and for independant auto service professionals this manual includes

[daewoo musso manuals manualslib](#) - Jan 28 2023

web this daewoo musso workshop service manual ca060513 is a complete workshop manual for your car it contains detailed instructions and step by step diagrams for all

daewoo musso service repair manual pdf for free - Jul 02 2023

web view and download daewoo musso service manual online musso automobile pdf manual download

daewoo musso workshop service repair manual - Sep 23 2022

web this is workshop service repair manual for daewoo ssangyong musso and this is the exact same manual used by technicians at the dealerships to maintain

daewoo musso service repair workshop manual access - Aug 23 2022

web then here is the manual to help you save money and do your own repairs tired of paying garages high bills to fix your daewoo musso free workshop manuals

daewoo musso service manual download zenith manuals - Jun 20 2022

web our daewoo automotive repair manuals are split into five broad categories daewoo workshop manuals daewoo owners manuals daewoo wiring diagrams daewoo

daewoo ssangyong musso service repair manual download - Jul 22 2022

web ssangyong musso workshop repair manual download ssangyong musso service repair workshop manual pdf ssangyong musso repair manual download

download daewoo ssangyong musso repair service manual - Apr 30 2023

web free pdf download daewoo musso online service repair manual pdf by just give me the damn manual

daewoo ssangyong musso service workshop repair manual - Nov 13 2021