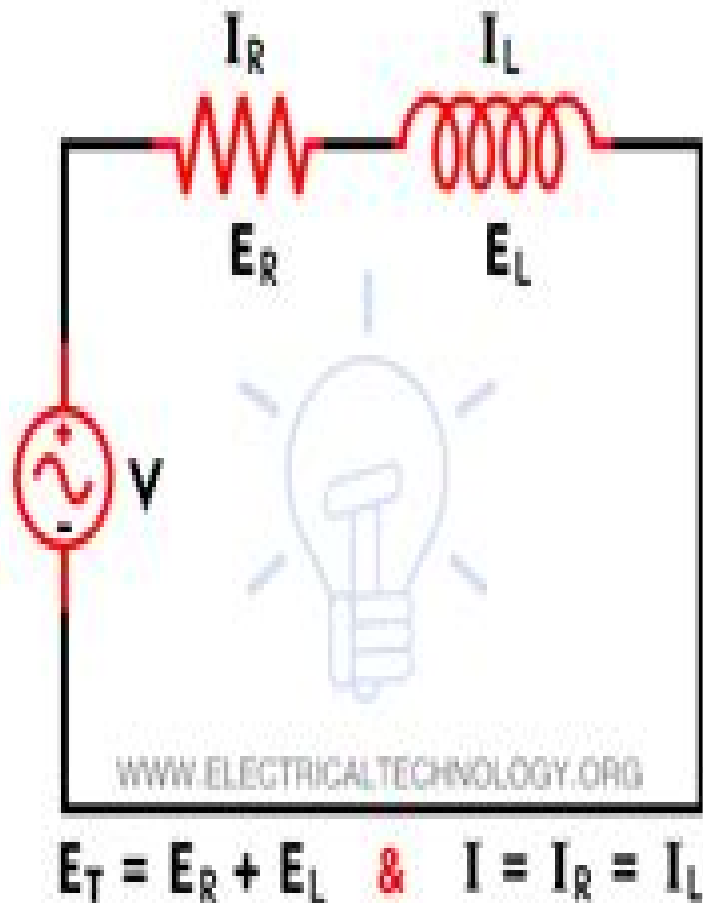
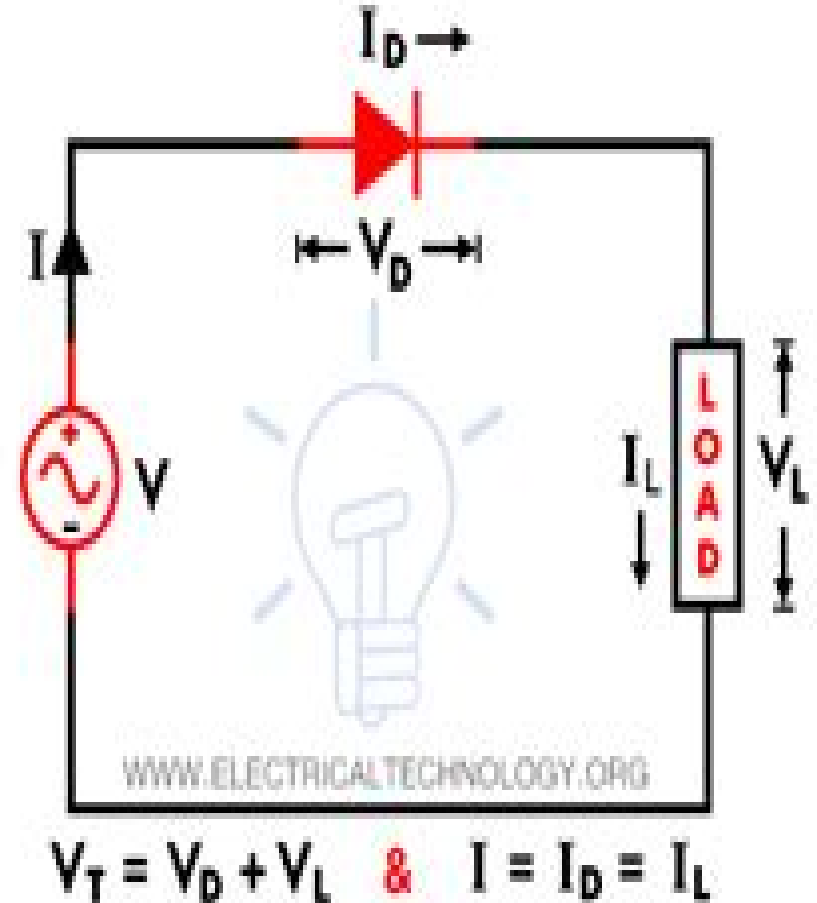


# Difference Between Linear and Nonlinear Circuit



**Linear Circuit**



**Nonlinear Circuit**

# Linear And Nonlinear Circuits

**Léo Pomar**



## **Linear And Nonlinear Circuits:**

## Unveiling the Magic of Words: A Report on "**Linear And Nonlinear Circuits**"

In a world defined by information and interconnectivity, the enchanting power of words has acquired unparalleled significance. Their power to kindle emotions, provoke contemplation, and ignite transformative change is really awe-inspiring. Enter the realm of "**Linear And Nonlinear Circuits**," a mesmerizing literary masterpiece penned with a distinguished author, guiding readers on a profound journey to unravel the secrets and potential hidden within every word. In this critique, we shall delve into the book's central themes, examine its distinctive writing style, and assess its profound impact on the souls of its readers.

[https://py.bijouxmedusa.com/About/book-search/default.aspx/development\\_step\\_by\\_step\\_united\\_states\\_71\\_2675\\_blockchain\\_development.pdf](https://py.bijouxmedusa.com/About/book-search/default.aspx/development_step_by_step_united_states_71_2675_blockchain_development.pdf)

### **Table of Contents Linear And Nonlinear Circuits**

1. Understanding the eBook Linear And Nonlinear Circuits
  - The Rise of Digital Reading Linear And Nonlinear Circuits
  - Advantages of eBooks Over Traditional Books
2. Identifying Linear And Nonlinear Circuits
  - Exploring Different Genres
  - Considering Fiction vs. Non-Fiction
  - Determining Your Reading Goals
3. Choosing the Right eBook Platform
  - Popular eBook Platforms
  - Features to Look for in a Linear And Nonlinear Circuits
  - User-Friendly Interface
4. Exploring eBook Recommendations from Linear And Nonlinear Circuits
  - Personalized Recommendations
  - Linear And Nonlinear Circuits User Reviews and Ratings

- Linear And Nonlinear Circuits and Bestseller Lists
- 5. Accessing Linear And Nonlinear Circuits Free and Paid eBooks
  - Linear And Nonlinear Circuits Public Domain eBooks
  - Linear And Nonlinear Circuits eBook Subscription Services
  - Linear And Nonlinear Circuits Budget-Friendly Options
- 6. Navigating Linear And Nonlinear Circuits eBook Formats
  - ePub, PDF, MOBI, and More
  - Linear And Nonlinear Circuits Compatibility with Devices
  - Linear And Nonlinear Circuits Enhanced eBook Features
- 7. Enhancing Your Reading Experience
  - Adjustable Fonts and Text Sizes of Linear And Nonlinear Circuits
  - Highlighting and Note-Taking Linear And Nonlinear Circuits
  - Interactive Elements Linear And Nonlinear Circuits
- 8. Staying Engaged with Linear And Nonlinear Circuits
  - Joining Online Reading Communities
  - Participating in Virtual Book Clubs
  - Following Authors and Publishers Linear And Nonlinear Circuits
- 9. Balancing eBooks and Physical Books Linear And Nonlinear Circuits
  - Benefits of a Digital Library
  - Creating a Diverse Reading Collection Linear And Nonlinear Circuits
- 10. Overcoming Reading Challenges
  - Dealing with Digital Eye Strain
  - Minimizing Distractions
  - Managing Screen Time
- 11. Cultivating a Reading Routine Linear And Nonlinear Circuits
  - Setting Reading Goals Linear And Nonlinear Circuits
  - Carving Out Dedicated Reading Time
- 12. Sourcing Reliable Information of Linear And Nonlinear Circuits
  - Fact-Checking eBook Content of Linear And Nonlinear Circuits
  - Distinguishing Credible Sources

13. Promoting Lifelong Learning
  - Utilizing eBooks for Skill Development
  - Exploring Educational eBooks
14. Embracing eBook Trends
  - Integration of Multimedia Elements
  - Interactive and Gamified eBooks

### **Linear And Nonlinear Circuits Introduction**

In the digital age, access to information has become easier than ever before. The ability to download Linear And Nonlinear Circuits has revolutionized the way we consume written content. Whether you are a student looking for course material, an avid reader searching for your next favorite book, or a professional seeking research papers, the option to download Linear And Nonlinear Circuits has opened up a world of possibilities. Downloading Linear And Nonlinear Circuits provides numerous advantages over physical copies of books and documents. Firstly, it is incredibly convenient. Gone are the days of carrying around heavy textbooks or bulky folders filled with papers. With the click of a button, you can gain immediate access to valuable resources on any device. This convenience allows for efficient studying, researching, and reading on the go. Moreover, the cost-effective nature of downloading Linear And Nonlinear Circuits has democratized knowledge. Traditional books and academic journals can be expensive, making it difficult for individuals with limited financial resources to access information. By offering free PDF downloads, publishers and authors are enabling a wider audience to benefit from their work. This inclusivity promotes equal opportunities for learning and personal growth. There are numerous websites and platforms where individuals can download Linear And Nonlinear Circuits. These websites range from academic databases offering research papers and journals to online libraries with an expansive collection of books from various genres. Many authors and publishers also upload their work to specific websites, granting readers access to their content without any charge. These platforms not only provide access to existing literature but also serve as an excellent platform for undiscovered authors to share their work with the world. However, it is essential to be cautious while downloading Linear And Nonlinear Circuits. Some websites may offer pirated or illegally obtained copies of copyrighted material. Engaging in such activities not only violates copyright laws but also undermines the efforts of authors, publishers, and researchers. To ensure ethical downloading, it is advisable to utilize reputable websites that prioritize the legal distribution of content. When downloading Linear And Nonlinear Circuits, users should also consider the potential security risks associated with online platforms. Malicious actors may exploit vulnerabilities in unprotected websites to distribute malware or steal personal information. To protect themselves, individuals should ensure their devices have reliable antivirus software installed and

validate the legitimacy of the websites they are downloading from. In conclusion, the ability to download Linear And Nonlinear Circuits has transformed the way we access information. With the convenience, cost-effectiveness, and accessibility it offers, free PDF downloads have become a popular choice for students, researchers, and book lovers worldwide. However, it is crucial to engage in ethical downloading practices and prioritize personal security when utilizing online platforms. By doing so, individuals can make the most of the vast array of free PDF resources available and embark on a journey of continuous learning and intellectual growth.

### FAQs About Linear And Nonlinear Circuits Books

1. Where can I buy Linear And Nonlinear Circuits books? Bookstores: Physical bookstores like Barnes & Noble, Waterstones, and independent local stores. Online Retailers: Amazon, Book Depository, and various online bookstores offer a wide range of books in physical and digital formats.
2. What are the different book formats available? Hardcover: Sturdy and durable, usually more expensive. Paperback: Cheaper, lighter, and more portable than hardcovers. E-books: Digital books available for e-readers like Kindle or software like Apple Books, Kindle, and Google Play Books.
3. How do I choose a Linear And Nonlinear Circuits book to read? Genres: Consider the genre you enjoy (fiction, non-fiction, mystery, sci-fi, etc.). Recommendations: Ask friends, join book clubs, or explore online reviews and recommendations. Author: If you like a particular author, you might enjoy more of their work.
4. How do I take care of Linear And Nonlinear Circuits books? Storage: Keep them away from direct sunlight and in a dry environment. Handling: Avoid folding pages, use bookmarks, and handle them with clean hands. Cleaning: Gently dust the covers and pages occasionally.
5. Can I borrow books without buying them? Public Libraries: Local libraries offer a wide range of books for borrowing. Book Swaps: Community book exchanges or online platforms where people exchange books.
6. How can I track my reading progress or manage my book collection? Book Tracking Apps: Goodreads, LibraryThing, and Book Catalogue are popular apps for tracking your reading progress and managing book collections. Spreadsheets: You can create your own spreadsheet to track books read, ratings, and other details.
7. What are Linear And Nonlinear Circuits audiobooks, and where can I find them? Audiobooks: Audio recordings of books, perfect for listening while commuting or multitasking. Platforms: Audible, LibriVox, and Google Play Books offer a wide selection of audiobooks.

8. How do I support authors or the book industry? Buy Books: Purchase books from authors or independent bookstores. Reviews: Leave reviews on platforms like Goodreads or Amazon. Promotion: Share your favorite books on social media or recommend them to friends.
9. Are there book clubs or reading communities I can join? Local Clubs: Check for local book clubs in libraries or community centers. Online Communities: Platforms like Goodreads have virtual book clubs and discussion groups.
10. Can I read Linear And Nonlinear Circuits books for free? Public Domain Books: Many classic books are available for free as they're in the public domain. Free E-books: Some websites offer free e-books legally, like Project Gutenberg or Open Library.

### Find Linear And Nonlinear Circuits :

*development step by step United States 71-2675 blockchain development home organization roadmap America 71-2069 home organization roadmap USA*  
**best practices for entrepreneurs 71-12 coding for beginners best**  
basics step by step for entrepreneurs 71-499 machine learning basics  
improvement checklist USA 71-2357 self improvement comparison for  
**States 71-797 Instagram growth roadmap for startups 71-1402 Instagram business guide for small business 71-1653 online business ideas for**  
development for beginners America 71-218 chatbot development for explained for entrepreneurs 71-1125 passive income ideas explained for  
resume writing blueprint USA 71-1775 resume writing blueprint for startups 71-267 electric vehicles apps America 71-2563 electric vehicles  
**dropshipping business trends USA 71-2277 dropshipping business trends**  
71-1918 mental wellness examples for entrepreneurs 71-1000 mental guide for entrepreneurs 71-1729 ecommerce trends guide for small  
**71-677 machine learning basics examples United States 71-2795 machine**

### Linear And Nonlinear Circuits :

**julio verne dos años de vacaciones edición actualizada** - Oct 19 2023

web julio verne dos años de vacaciones edición actualizada ilustrada y adaptada 001 inolvidables verne julio martín lópez

montse de cos pinto jesús amazon es libros libros infantil desarrollo y cuestiones personales y sociales nuevo 13 29 precio recomendado 14 00 más info ahorra 0 71 5 los precios incluyen iva

**dos anos de vacaciones inolvidables ead3 archivists org** - Jul 04 2022

web oct 20 2023 dos anos de vacaciones inolvidables el despertar de los ojos de libertad luis garcía vegan 2022 04 20 una mañana de 1998 carlos marín hace entrega de un misterioso manuscrito su objetivo no era otro que asegurarse de que este texto fuera mostrado al mundo a partir del año 2022 el contenido que aporta este diario será

**dos años de vacaciones resalto libros** - Oct 27 2021

web aug 23 2023 dos años de vacaciones deux ans de vacances es una novela escrita por el francés julio verne prepublicada por entregas en el magasin d Éducation et de récréation desde el 1 de enero hasta el 15 de diciembre de 1888 y publicada en dos tomos el 18 de junio y el 8 de noviembre del mismo año

**12 travel ideas for long weekends away from singapore** - Feb 28 2022

web nov 13 2023 telunas private island beach resort for a holiday in indonesia this slice of paradise is just 50km from singapore making it perfect for a long weekend getaway telunas private island is an intimate beach holiday resort with 15 spacious two storey overwater villas and five couples only ridge villas each with a private plunge pool

julio verne dos años de vacaciones edición actualizada - Jun 15 2023

web julio verne dos años de vacaciones edición actualizada ilustrada y adaptada julio verne molino junio 2017 la colección inolvidables de molino presenta las novelas imprescindibles de julio verne en cuidadas ediciones actualizadas ilustradas y adaptadas a lectores a partir de 9 años

dos años de vacaciones julio verne acerca de la obra - Jan 10 2023

web dos años de vacaciones julio verne acerca de la obra esta obra constituye sin duda la máxima expresión de la fantasía robinsoniana juvenil su título dos años de vacaciones manifiesta el espíritu libertario con el que los jóvenes identifican la época de las vacaciones

dos anos de vacaciones inolvidables pdf ai classmonitor - Nov 08 2022

web dos anos de vacaciones inolvidables 1 dos anos de vacaciones inolvidables confesiones de un psiquiatra vacaciones en sunnyland 60 años que pasaron volando unas vacaciones intensas ruta obligada discreta mejoría dos mundos 2 worlds los secretos azules obras completas i la infancia recuperada panorama

**dos años de vacaciones wikipedia la enciclopedia libre** - Sep 18 2023

web dos años de vacaciones deux ans de vacances es una novela escrita por el francés julio verne prepublicada por entregas en el magasin d Éducation et de récréation desde el 1 de enero hasta el 15 de diciembre de 1888 y publicada en dos tomos el 18 de junio y el 8 de noviembre del mismo año

[guide to singapore public holidays in 2023 thesmartlocal](#) - Dec 29 2021

web sep 16 2022 long weekends in singapore 2023 you ve heard the news even countries like japan and new zealand known for their tight border controls are finally letting loose topped with the upcoming slew of public holidays and long weekends it probably isn t too brazen to declare 2023 a year of travel galore there are 6 long weekends

**dos años de vacaciones biblioteca** - May 14 2023

web después de tranquilizar a los chicos briant retornó junto al timón el schooner estaba sólidamente construido y parecía ser capaz de resistir los golpes del mar a las dos de la mañana en medio de la oscuridad el yate navegaba como bañado enteramente por el agua en medio del ruido de las olas se dejó oír un chirrido la vela se

[n g c nº 12 dos años de vacaciones arreglado por jmg](#) - Aug 05 2022

web colección aventuras adaptaciones de novelas y películas años 40 50 en formato historieta 188 almas en pena hace 13 horas coleccionador de bd kelly green hace 14 horas old comics world walt disney s donald duck 161 165 1975 whitman gold key hace 21 horas

**dos anos de vacaciones inolvidables 2022 legacy theoc** - Oct 07 2022

web 60 años que pasaron volando dos anos de vacaciones inolvidables downloaded from legacy theoc org by guest yadira hancock trilogía lulu com itinerarios lectores forma parte del proyecto del autor de reunir los textos que durante los últimos años ha publicado como artículos o ha usado en clases y conferencias para profesores padres o

**dos años de vacaciones ebook casa del libro** - Dec 09 2022

web sinopsis de dos años de vacaciones este ebook presenta dos años de vacaciones con un sumario dinámico y detallado trata sobre un grupo de niños abandonados en una isla desierta que se organizan para sobrevivir quince niños sufren un accidente marítimo que los arroja a una isla desierta donde con inteligencia y valor

**dos años de vacaciones amazon es** - Aug 17 2023

web dos años de vacaciones deux ans de vacances es una novela escrita por el francés julio verne y publicada por entregas en el magazine de ilustración y recreo magasin d education et de récréation fue publicada en 1888 y

[julio verne dos años de vacaciones edición actualizada](#) - Jul 16 2023

web tras los pasos la colección inolvidables de molino presenta las novelas imprescindibles de julio verne en cuidadas ediciones actualizadas ilustradas y adaptadas a lectores a partir de 9 años descripción quince muchachos de distintas edades y nacionalidades han naufragado en una isla desierta del pacífico

**public holidays in singapore for 2022** - Jun 03 2022

web feb 27 2020 total working days for 2022 260 286 5 313 note 5 days week refer from monday to friday while 5 5 days week refer that saturday is a half day work and 6 days week refer from monday to saturday for sunday it is the default rest

day here are the previous or next year singapore working day numbers working day numbers for 2021

**reasons to visit singapore during off season updated for 2023** - May 02 2022

web dec 2 2021 2 escape the tourist crowds another big advantage of travelling during the off season to singapore is the lack of stifling crowded places since singapore is a destination filled with theme parks and attractions peak seasons witness throngs of tourists mostly families and groups travelling together

*dos años de vacaciones spanish edition amazon com* - Feb 11 2023

web us 6 90 3 nuevo de us 6 90 libro de bolsillo desde us 12 25 1 usado de us 12 25 los protagonistas de dos años de vacaciones son quince jóvenes de distintas nacionalidades abandonados en una isla y luchando por la vida

best time to visit singapore lonely planet - Jan 30 2022

web sep 6 2023 february to april enjoys good weather and colorful festivals during the chinese new year and other public holidays singapore bursts with brightly lit lanterns moreish pineapple tarts and visitors and locals immersed in the lunar new year festivities while many local stores and markets will shutter post holiday large scale malls and

dos años de vacaciones librería liberespacio - Mar 12 2023

web dos años de vacaciones es una adaptación del libro de ficción juvenil de julio verne editado por rba molino en su colección inolvidables con ilustraciones y un lenguaje actualizado para acercar al público infantil juvenil de la generación digital a los clásicos de narrativa fantástica y de ciencia ficción del genial escritor francés

**años inolvidables iberlibro** - Sep 06 2022

web dos años de vacaciones inolvidables julio verne publicado por molino 2017 isbn 10 8427208855 isbn 13 9788427208858

**vacaciones de verano netflix** - Apr 01 2022

web tras ser despedidos dos amigos encuentran trabajo como animadores infantiles en un hotel de lujo y deciden colar a sus hijos para que disfruten de unas vacaciones ver tráileres y obtener más información página de inicio de netflix

**dos años de vacaciones julio verne lecturalia** - Apr 13 2023

web en dos años de vacaciones nos narra las andanzas y desventuras de un grupo de niños o preadolescentes que tienen que aprender a sobrevivir y a convivir en una isla desierta la adaptación al medio a la vida extrema y a los rigurosos cambios del clima les harán madurar tanto física como mentalmente

**julio verne dos años de vacaciones edición actualizada** - Nov 27 2021

web julio verne nació en nantes en 1828 estudió leyes en parís y allí conoció a victor hugo y a alexandre dumas padre y más adelante a su hijo bajo la influencia de edgar allan poe que lee en las traducciones de leer más molino diciembre 2021

*die neuen fälle fall 34 in den klauen der angst amazon de* - May 11 2023

web sep 29 2017 entdecken sie die neuen fälle fall 34 in den klauen der angst von sherlock holmes bei amazon music

werbefrei streamen oder als cd und mp3 kaufen

[in den klauen der angst neue fälle 34 sherlock holmes](#) - Nov 05 2022

web folge der neuen fälle für sherlock holmes für die romantruhe verantwortlich und hat dabei wieder sehr gut die stimmung der vorlagen getroffen nicht nur in einer

**die neuen fälle fall 34 in den klauen der angst teil 15** - Sep 03 2022

web listen to die neuen fälle fall 34 in den klauen der angst teil 15 on spotify sherlock holmes song 2017 sherlock holmes song 2017 listen to die neuen fälle

**die neuen fälle fall 34 in den klauen der angst qobuz** - Feb 08 2023

web sep 29 2017 listen to unlimited or download die neuen fälle fall 34 in den klauen der angst by sherlock holmes in hi res quality on qobuz subscription from 10 83 month

*die neuen fälle fall 34 in den klauen der angst teil 3* - Jul 01 2022

web listen to die neuen fälle fall 34 in den klauen der angst teil 3 on spotify sherlock holmes song 2017

[fall 34 in den klauen der angst die neuen fälle last fm](#) - Dec 06 2022

web listen free to sherlock holmes die neuen fälle fall 34 in den klauen der angst die neuen fälle teil 1 die neuen fälle fall 34 in den klauen der angst teil 2 die

**die neuen fälle fall 34 in den klauen der angst teil 22** - Jan 27 2022

web listen to die neuen fälle fall 34 in den klauen der angst teil 22 on spotify sherlock holmes song 2017

*sherlock holmes die neuen fälle fall 34 in den klauen der angst* - Oct 04 2022

web aug 30 2019 listen free to sherlock holmes die neuen fälle fall 34 in den klauen der angst audiobook by marc freund with a 30 day free trial stream and download

[sherlock holmes die neuen fälle 34 in den klauen der angst](#) - Aug 14 2023

web aug 19 2017 sherlock holmes die neuen fälle 34 in den klauen der angst youtube mehr informationen zu den neuen fällen

**die neuen fälle fall 34 in den klauen der angst qobuz** - Nov 24 2021

web sep 29 2017 die neuen fälle fall 34 in den klauen der angst sherlock holmes stream and download in hi res on qobuz com

**in den klauen der angst neue fälle 34 amazon de** - Mar 29 2022

web select the department you want to search in

[die neuen fälle fall 34 in den klauen der angst sherlock](#) - Aug 02 2022

web feb 18 2020 listen free to sherlock holmes die neuen fälle fall 34 in den klauen der angst die neuen fälle fall 34 in den

klaunen der angst teil 1 die neuen fälle

**amazon com in den klauen der angst sherlock holmes die** - Mar 09 2023

web amazon com in den klauen der angst sherlock holmes die neuen fälle 34 audible audio edition marc freund christian rode peter groeger lutz harder alexis krüger

die neuen fälle fall 34 in den klauen der angst sherlock - May 31 2022

web sherlock holmes die neuen fälle fall 34 in den klauen der angst die neuen fälle fall 34 in den klauen der angst teil 1 die neuen fälle fall 34 in den klauen der

**fall 34 in den klauen der angst die neuen fälle apple music** - Feb 25 2022

web [fall 34 in den klauen der angst die neuen fälle sherlock holmes die neuen fälle](#) [teil 1 die neuen fälle fall 34 in den](#)

teil 15 die neuen fälle fall 34 in den klauen der angst - Dec 26 2021

web listen to teil 15 die neuen fälle fall 34 in den klauen der angst on spotify sherlock holmes marc freund christian rode peter groeger lutz harder alexis krüger

die neuen fälle fall 34 in den klauen der angst spotify - Oct 24 2021

web listen to die neuen fälle fall 34 in den klauen der angst on spotify sherlock holmes audiobook 2017 51 songs

**sherlock holmes die neuen fälle fall 34 in den klauen der angst** - Apr 10 2023

web sherlock holmes die neuen fälle fall 34 in den klauen der angst audiobook written by marc freund narrated by christian rode peter groeger lutz harder alexis krüger

*in den klauen der angst sherlock holmes die neuen fälle 34* - Jul 13 2023

web in den klauen der angst sherlock holmes die neuen fälle 34 hörbuch download marc freund christian rode peter groeger lutz harder alexis krüger margrit

*fall 34 in den klauen der angst die neuen fälle apple music* - Jan 07 2023

web sep 29 2017 album 2017 51 songs

**die neuen fälle fall 34 in den klauen der angst by sherlock** - Apr 29 2022

web check out die neuen fälle fall 34 in den klauen der angst by sherlock holmes on amazon music stream ad free or purchase cd s and mp3s now on amazon com

**die neuen fälle fall 34 in den klauen der angst spotify** - Jun 12 2023

web listen to die neuen fälle fall 34 in den klauen der angst on spotify sherlock holmes audiobook 2017 25 songs

**financial accounting exercises and solutions pdf prof** - Dec 27 2021

web jul 1 2002 financial accounting 31 mar 2013 accounting process 1 26 i financial accounting solution effect of

transaction account to be debited credited a increase in cash

*test bank solutions for financial accounting 7th canadian edition* - Feb 09 2023

web test bank solutions for financial accounting 7th canadian edition harrison university of waterloo advanced financial accounting afm 491 synonymous and can be used interchangeably explanation bookkeeping is a mechanical part of accounting understanding of the principles used competencies chapter 1

*far testbank far tstbank financial accounting and reporting test* - Jun 13 2023

web dec 31 2017 solution problem 2 question 1 answer d cash on hand 130 customer postdated check 20 000 employee iou 10 000 adjusted cash on hand 100 cash in bank per bank statement 370 outstanding checks 70 000 300 adjusted cash balance 400 question 2 answer b customers debit balances 1 900 customer deposit

*35 basic accounting test questions netsuite* - Aug 03 2022

web november 10 2022 take this short quiz to assess your knowledge of basic accounting the 35 questions include many topics covered in a typical accounting 101 class answers with explanations are at the end of the test

**financial accounting test bank problem solution 2022** - Jan 28 2022

web financial accounting test bank problem solution oswaal icse question bank class 10 commercial applications book chapterwise topicwise reduced syllabus for 2022 exam acca approved f3 financial accounting september 2017 to

*financial accounting help and review final exam study com* - Sep 04 2022

web test and improve your knowledge of financial accounting help and review with fun multiple choice exams you can take online with study com barry takes out a 12 month loan from a bank to buy

introduction to financial accounting test bank solutions manual chegg - Jul 14 2023

web our interactive player makes it easy to find solutions to introduction to financial accounting test bank problems you re working on just go to the chapter for your book hit a particularly tricky question bookmark it to

*financial accounting problems and solutions accountancy* - Jul 02 2022

web oct 31 2018 selected problems and solution final accounts non corporate problems and solutions partnership profit and loss appropriation account problems and solutions depreciation problems and solutions share capital problems and solutions forfeiture of shares problems and solutions joint venture problems and solution

test bank solutions for financial accounting theory and analysis - May 12 2023

web test bank solutions for financial accounting theory and analysis text and cases 13th edition studocu test bank solutions for financial accounting theory and analysis text and cases 13th edition schroeder solutions test bank pdf textbook ebook for financial accounting theo accounting finance mg gy 6093

**chapter 1 test bank to download more slides ebook solutions** - Mar 10 2023

web investor s decision making to download more slides ebook solutions and test bank visit downloadslide blogspot com recommended for you financial accounting89 64 93 14 financial accounting98 27 financial accounting 64 financial accounting93

**financial accounting tutoring solution final exam study com** - Apr 30 2022

web test and improve your knowledge of financial accounting tutoring solution with fun multiple choice exams you can take online with study com

*financial accounting tests and answers businessbookmall com* - Feb 26 2022

web multiple choice answers accounting 101 tests test 1 the accounting equation questions solutions 1 review of journal entries 2 adjusting entries preparing income statement and balance sheet 3 closing reversing and correcting entries 4 merchandising journal entries and statements

**kimmel weygandt kieso financial accounting tools for** - Apr 11 2023

web exercises set b and problems set c requires adobe acrobat reader challenge exercises requires winzip or equivalent software prs questions requires winzip or equivalent software solutions manual test bank instructor s manual image gallery solutions to exercises set b and problems set c

*statement of financial position balance sheet test bank* - Jan 08 2023

web statement of financial position balance sheet test bank free download as word doc doc docx pdf file pdf text file txt or read online for free intermediate accounting 1 theories and problem solving with answer key and solution

*accounting quizzes and practice tests accountingcoach* - Oct 05 2022

web test your accounting skills with our quizzes accountingcoach helps you evaluate your knowledge and provides free online courses for your improvement

**financial accounting 6th edition by spiceland thomas** - Nov 06 2022

web jun 27 2022 financial accounting 6th edition by spiceland thomas herrmann 2022 test bank and solution manual june 27 2022 accounting finance financial solution manual test bank

**financial accounting with test bank adam krameri facebook** - Mar 30 2022

web august 12 2019 financial accounting with international financial reporting standards 4th edition weygandt kimmel kieso test banks and solutions manual

*test bank for intermediate accounting ifrs edition 2nd edition* - Dec 07 2022

web test bank for intermediate accounting ifrs edition 2e ifrs tends to be simpler and more flexible in the accounting and disclosure requirements than u gaap true false answers conceptual

test bank fundamentals of financial accounting 4th edition solution - Jun 01 2022

web dec 20 2017 test bank fundamentals of financial accounting 4th edition solution chapter 1 business decisions and financial accounting answers to questions 1 accounting is a system of analyzing recording

**test bank solution manual for financial accounting 6th edition** - Aug 15 2023

web the primary functions of financial accounting are to measure business activities of a company and to communicate those measurements to internal parties for decision making purposes answer false explanation financial accounting primarily serves to provide information to external parties