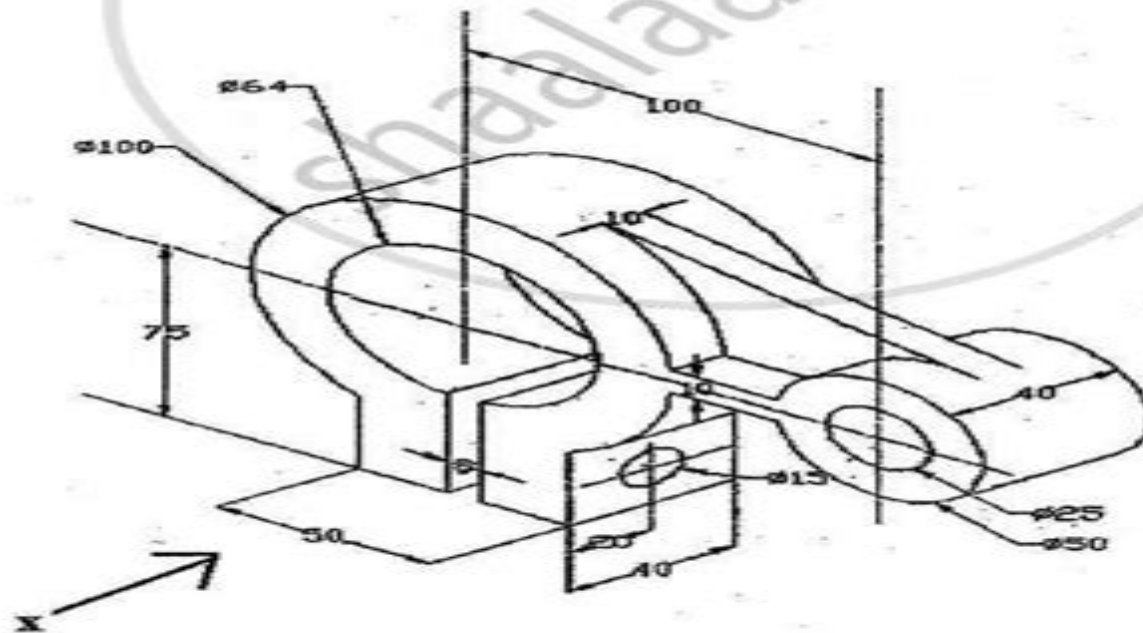


- N. B. :** (1) Question No. 1 is compulsory. Answer any three from the remaining five questions.
(2) All dimensions are in mm.
(3) Assume suitable data, wherever required.
(4) Use pencil only to draw diagrams.
(5) Use only first angle of projection.
(6) Retain all construction lines.

1. (a) A line AB 100 mm long is tangent at the top of a circular disc of 70 mm. diameter. 6
The point A is at the top of the circumference. The line AB rolls around the circumference of the circular disc in a clockwise direction. Draw the locus of the end 'A', till the end B touches the circle. Name the curve.
- (b) Pictorial view of a block is shown in figure. 9
Draw its : (i) F. V. along 'X' and
(ii) RHSV



Civil Engineering Drawing First Semester

ML Yell



Civil Engineering Drawing First Semester:

Thank you entirely much for downloading **Civil Engineering Drawing First Semester**. Maybe you have knowledge that, people have seen numerous times for their favorite books later than this Civil Engineering Drawing First Semester, but stop in the works in harmful downloads.

Rather than enjoying a good ebook gone a mug of coffee in the afternoon, on the other hand they juggled with some harmful virus inside their computer. **Civil Engineering Drawing First Semester** is understandable in our digital library an online entry to it is set as public for that reason you can download it instantly. Our digital library saves in fused countries, allowing you to get the most less latency era to download any of our books in the same way as this one. Merely said, the Civil Engineering Drawing First Semester is universally compatible afterward any devices to read.

https://py.bijouxmedusa.com/About/uploaded-files/Download_PDFS/Entrepreneurs%2096%20103%20Ecommerce%20Trends%20Blueprint%20For%20Startups%2096%20205.pdf

Table of Contents Civil Engineering Drawing First Semester

1. Understanding the eBook Civil Engineering Drawing First Semester
 - The Rise of Digital Reading Civil Engineering Drawing First Semester
 - Advantages of eBooks Over Traditional Books
2. Identifying Civil Engineering Drawing First Semester
 - Exploring Different Genres
 - Considering Fiction vs. Non-Fiction
 - Determining Your Reading Goals
3. Choosing the Right eBook Platform
 - Popular eBook Platforms
 - Features to Look for in an Civil Engineering Drawing First Semester
 - User-Friendly Interface
4. Exploring eBook Recommendations from Civil Engineering Drawing First Semester
 - Personalized Recommendations

- Civil Engineering Drawing First Semester User Reviews and Ratings
- Civil Engineering Drawing First Semester and Bestseller Lists
- 5. Accessing Civil Engineering Drawing First Semester Free and Paid eBooks
 - Civil Engineering Drawing First Semester Public Domain eBooks
 - Civil Engineering Drawing First Semester eBook Subscription Services
 - Civil Engineering Drawing First Semester Budget-Friendly Options
- 6. Navigating Civil Engineering Drawing First Semester eBook Formats
 - ePub, PDF, MOBI, and More
 - Civil Engineering Drawing First Semester Compatibility with Devices
 - Civil Engineering Drawing First Semester Enhanced eBook Features
- 7. Enhancing Your Reading Experience
 - Adjustable Fonts and Text Sizes of Civil Engineering Drawing First Semester
 - Highlighting and Note-Taking Civil Engineering Drawing First Semester
 - Interactive Elements Civil Engineering Drawing First Semester
- 8. Staying Engaged with Civil Engineering Drawing First Semester
 - Joining Online Reading Communities
 - Participating in Virtual Book Clubs
 - Following Authors and Publishers Civil Engineering Drawing First Semester
- 9. Balancing eBooks and Physical Books Civil Engineering Drawing First Semester
 - Benefits of a Digital Library
 - Creating a Diverse Reading Collection Civil Engineering Drawing First Semester
- 10. Overcoming Reading Challenges
 - Dealing with Digital Eye Strain
 - Minimizing Distractions
 - Managing Screen Time
- 11. Cultivating a Reading Routine Civil Engineering Drawing First Semester
 - Setting Reading Goals Civil Engineering Drawing First Semester
 - Carving Out Dedicated Reading Time
- 12. Sourcing Reliable Information of Civil Engineering Drawing First Semester
 - Fact-Checking eBook Content of Civil Engineering Drawing First Semester

- Distinguishing Credible Sources
- 13. Promoting Lifelong Learning
 - Utilizing eBooks for Skill Development
 - Exploring Educational eBooks
- 14. Embracing eBook Trends
 - Integration of Multimedia Elements
 - Interactive and Gamified eBooks

Civil Engineering Drawing First Semester Introduction

In this digital age, the convenience of accessing information at our fingertips has become a necessity. Whether its research papers, eBooks, or user manuals, PDF files have become the preferred format for sharing and reading documents. However, the cost associated with purchasing PDF files can sometimes be a barrier for many individuals and organizations. Thankfully, there are numerous websites and platforms that allow users to download free PDF files legally. In this article, we will explore some of the best platforms to download free PDFs. One of the most popular platforms to download free PDF files is Project Gutenberg. This online library offers over 60,000 free eBooks that are in the public domain. From classic literature to historical documents, Project Gutenberg provides a wide range of PDF files that can be downloaded and enjoyed on various devices. The website is user-friendly and allows users to search for specific titles or browse through different categories. Another reliable platform for downloading Civil Engineering Drawing First Semester free PDF files is Open Library. With its vast collection of over 1 million eBooks, Open Library has something for every reader. The website offers a seamless experience by providing options to borrow or download PDF files. Users simply need to create a free account to access this treasure trove of knowledge. Open Library also allows users to contribute by uploading and sharing their own PDF files, making it a collaborative platform for book enthusiasts. For those interested in academic resources, there are websites dedicated to providing free PDFs of research papers and scientific articles. One such website is Academia.edu, which allows researchers and scholars to share their work with a global audience. Users can download PDF files of research papers, theses, and dissertations covering a wide range of subjects. Academia.edu also provides a platform for discussions and networking within the academic community. When it comes to downloading Civil Engineering Drawing First Semester free PDF files of magazines, brochures, and catalogs, Issuu is a popular choice. This digital publishing platform hosts a vast collection of publications from around the world. Users can search for specific titles or explore various categories and genres. Issuu offers a seamless reading experience with its user-friendly interface and allows users to download PDF files for offline reading. Apart from dedicated platforms, search engines also play a crucial role in finding free PDF files. Google, for

instance, has an advanced search feature that allows users to filter results by file type. By specifying the file type as "PDF," users can find websites that offer free PDF downloads on a specific topic. While downloading Civil Engineering Drawing First Semester free PDF files is convenient, it's important to note that copyright laws must be respected. Always ensure that the PDF files you download are legally available for free. Many authors and publishers voluntarily provide free PDF versions of their work, but it's essential to be cautious and verify the authenticity of the source before downloading Civil Engineering Drawing First Semester. In conclusion, the internet offers numerous platforms and websites that allow users to download free PDF files legally. Whether it's classic literature, research papers, or magazines, there is something for everyone. The platforms mentioned in this article, such as Project Gutenberg, Open Library, Academia.edu, and Issuu, provide access to a vast collection of PDF files. However, users should always be cautious and verify the legality of the source before downloading Civil Engineering Drawing First Semester any PDF files. With these platforms, the world of PDF downloads is just a click away.

FAQs About Civil Engineering Drawing First Semester Books

How do I know which eBook platform is the best for me? Finding the best eBook platform depends on your reading preferences and device compatibility. Research different platforms, read user reviews, and explore their features before making a choice. Are free eBooks of good quality? Yes, many reputable platforms offer high-quality free eBooks, including classics and public domain works. However, make sure to verify the source to ensure the eBook credibility. Can I read eBooks without an eReader? Absolutely! Most eBook platforms offer webbased readers or mobile apps that allow you to read eBooks on your computer, tablet, or smartphone. How do I avoid digital eye strain while reading eBooks? To prevent digital eye strain, take regular breaks, adjust the font size and background color, and ensure proper lighting while reading eBooks. What the advantage of interactive eBooks? Interactive eBooks incorporate multimedia elements, quizzes, and activities, enhancing the reader engagement and providing a more immersive learning experience. Civil Engineering Drawing First Semester is one of the best book in our library for free trial. We provide copy of Civil Engineering Drawing First Semester in digital format, so the resources that you find are reliable. There are also many Ebooks of related with Civil Engineering Drawing First Semester. Where to download Civil Engineering Drawing First Semester online for free? Are you looking for Civil Engineering Drawing First Semester PDF? This is definitely going to save you time and cash in something you should think about. If you trying to find then search around for online. Without a doubt there are numerous these available and many of them have the freedom. However without doubt you receive whatever you purchase. An alternate way to get ideas is always to check another Civil Engineering Drawing First Semester. This method for see exactly what may be included and

adopt these ideas to your book. This site will almost certainly help you save time and effort, money and stress. If you are looking for free books then you really should consider finding to assist you try this. Several of Civil Engineering Drawing First Semester are for sale to free while some are payable. If you arent sure if the books you would like to download works with for usage along with your computer, it is possible to download free trials. The free guides make it easy for someone to free access online library for download books to your device. You can get free download on free trial for lots of books categories. Our library is the biggest of these that have literally hundreds of thousands of different products categories represented. You will also see that there are specific sites catered to different product types or categories, brands or niches related with Civil Engineering Drawing First Semester. So depending on what exactly you are searching, you will be able to choose e books to suit your own need. Need to access completely for Campbell Biology Seventh Edition book? Access Ebook without any digging. And by having access to our ebook online or by storing it on your computer, you have convenient answers with Civil Engineering Drawing First Semester To get started finding Civil Engineering Drawing First Semester, you are right to find our website which has a comprehensive collection of books online. Our library is the biggest of these that have literally hundreds of thousands of different products represented. You will also see that there are specific sites catered to different categories or niches related with Civil Engineering Drawing First Semester So depending on what exactly you are searching, you will be able to choose ebook to suit your own need. Thank you for reading Civil Engineering Drawing First Semester. Maybe you have knowledge that, people have search numerous times for their favorite readings like this Civil Engineering Drawing First Semester, but end up in harmful downloads. Rather than reading a good book with a cup of coffee in the afternoon, instead they juggled with some harmful bugs inside their laptop. Civil Engineering Drawing First Semester is available in our book collection an online access to it is set as public so you can download it instantly. Our digital library spans in multiple locations, allowing you to get the most less latency time to download any of our books like this one. Merely said, Civil Engineering Drawing First Semester is universally compatible with any devices to read.

Find Civil Engineering Drawing First Semester :

[entrepreneurs 96-103 ecommerce trends blueprint for startups 96-2050](#)
[improvement blueprint USA 96-1369 credit score improvement blueprint USA](#)
[tips roadmap for entrepreneurs 96-1196 interview tips software America](#)
[examples for small business 96-2255 SEO strategy examples for small](#)
small business 96-2306 chatbot development tips USA 96-2275 chatbot
[explained USA 96-595 budget travel explained United States 96-1198](#)
ideas review for entrepreneurs 96-31 passive income ideas roadmap

[demand strategies United States 96-1262](#) [print on demand strategies for entrepreneurs 96-143](#) [VPN services ideas for small business 96-765](#)
[States 96-55](#) [career growth tips for entrepreneurs 96-2104](#) [career growth beginners USA 96-1046](#) [real estate investing guide United States 96-1215](#)
[96-2980](#) [print on demand strategies for startups 96-1142](#) [print on demand trends United States 96-1879](#) [budget travel best practices for marketing best practices for entrepreneurs 96-1794](#) [AI marketing case investing checklist for creators 96-423](#) [real estate investing checklist](#)

Civil Engineering Drawing First Semester :

[natural beauty collocation meaning and examples of use](#) - Mar 07 2022
[web examples of natural beauty in a sentence how to use it 20 examples remarkable for its natural beauty its past fertility its historic landmarks and its potential](#)
home naturalbeauty - Nov 15 2022
[web natural beauty center for hair transplantation and cosmetic surgery one of the best centers specialized in medical tourism in turkey with more than 5 years of experience accredited by the best international and turkish medical institutions](#)
natural beauty turkey istanbul facebook - Sep 13 2022
[web natural beauty turkey istanbul turkey 233 355 likes 228 talking about this 46 were here](#)    
        
[natural beauty products organic beauty skin care green people](#) - Jun 10 2022
[web with an incredible variety of plants able to nourish soothe and replenish the natural world provides the goodness you need to care for your skin when you use certified organic beauty ingredients you can be sure that these are grown in a way which respects wildlife soil health and biodiversity discover organic skin care](#)
natural beauty vücut bakım koleksiyonu victoria s secret - Apr 08 2022
[web natural beauty ile naif vücudunuzun banyo sonrasındaki bakımını tamamlayın duş jelleri vücut peelingleri yağları ve el kremlerini keşfedin victoria s secret](#)
natural beauty wellness natural organic more nordstrom - May 21 2023
[web free shipping on natural and organic beauty products at nordstrom com read ingredients and shop select brands featuring organic vegan botanical and more nature based benefits](#)
100 000 best nature images pexels - Aug 24 2023

web download and use 200 000 nature stock photos for free thousands of new images every day completely free to use high quality videos and images from pexels

what does natural beauty mean in the skincare industry - Feb 06 2022

web mar 25 2022 first here s how we define natural beauty natural beauty refers to skincare and cosmetics products made without ingredients proven to be harmful to people or the environment is natural beauty truly better than opting for conventional

visegrad four s natural beauty to be exhibited in istanbul - Nov 03 2021

web jun 22 2022 the rich cultural heritage and vast natural beauty of visegrad countries v4 namely hungary poland czechia and slovakia will be showcased in the natural treasures of the visegrad group exhibition hosted by the istanbul liszt institute hungarian cultural center the exhibition dedicated to the nature of v4 countries will open for art

25 best natural and organic skin care products of 2022 cosmopolitan - Mar 19 2023

web nov 30 2021 25 best natural skincare products and brands to try asap guys this stuff really really works by lauren balsamo published nov 30 2021 save article courtesy image listen i get it the world

tr natural clinic - Oct 02 2021

web contact 90 212 919 05 55 info natural clinic avrupa ofis kat 8 ataköy 7 8 9 10 e 5 yan yol cd 34158 bakırköy İstanbul turkey

beautiful nature photos download the best free beautiful nature - Jun 22 2023

web download and use 300 000 beautiful nature stock photos for free thousands of new images every day completely free to use high quality videos and images from pexels

16 best natural skin care products healthline - Jan 17 2023

web oct 22 2021 clean up your beauty routine with the 16 best natural skin care products natural skin care what natural means how we chose our picks comparison shopping tips when to see a doctor faqs

world s most beautiful natural wonders photos insider - Apr 20 2023

web ahead of earth day we identified some of the world s most beautiful natural features these photographs show the vibrant colors of canyons forests and rocky shorelines in colombia a unique plant turns a river bright red while australia is

uk s top 10 natural wonders lonely planet - May 09 2022

web aug 14 2020 the uk is full of natural beauty spots with epic coastlines hidden coves misty mountains and everything a nature lover could desire in between here are ten of the uk s best natural wonders to inspire your next adventure in the great outdoors

28 clean makeup brands 2022 that meet allure editors green beauty - Oct 14 2022

web nov 13 2022 natural talents 28 clean makeup brands that deserve to be on your radar every brand on this list including kosas and ilia beauty meets allure s clean standard by kaleigh fasanella

who defines natural beauty surprise it s you the consumer greatist - Aug 12 2022

web sep 29 2020 what does natural beauty mean in a world without regulation over this term it s not so simple as being synonymous with clean or sustainable here s a quick checklist of what to

natural beauty everyday habits that help you look your best webmd - Jul 23 2023

web to look your best the natural way you ll want to make sure you do these six things from sleep to sunscreen to sweating it out it s simple to be gorgeous webmd explains

nature istanbul com - Dec 16 2022

web jun 3 2022 published 3 june 2022 updated 27 january 2023 share one of the most important things you should know about istanbul is that the city has natural beauties not found in any other city examples of this are the bosphorus nature parks bays rivers waterfalls and forests where wildlife continues inside the city

natural beauty beauty a very short introduction oxford - Feb 18 2023

web all rational beings kant believed are capable of aesthetic judgements and taste is central to a life properly lived natural beauty asserts that in aesthetic judgement we are giving voice to an encounter of subject and object where the response of the first is as important as the qualities of the second

beauty wikipedia - Jan 05 2022

web beauty is commonly described as a feature of objects that makes these objects pleasurable to perceive such objects include landscapes sunsets humans and works of art beauty together with art and taste is the main subject of aesthetics one of

what natural beauty means to 9 different women healthyway - Jul 11 2022

web jun 15 2018 natural beauty is an interesting phrase when a major part of your body is literally artificial my left leg is amputated above the knee and so i wear a prosthetic leg to move around the world for years i had a cosmesis the cosmetic cover that goes over a prosthetic limb that was meant to emulate a real leg

natural beauty author ling ling huang on unself care the cut - Dec 04 2021

web apr 4 2023 natural beauty author ling ling huang reflects on her time spent working in the wellness and clean beauty industry and the steps she s had to take towards practicing unself care now that she s escaped

cambridge igcse ict coursebook per le scuole superiori - Mar 30 2022

web cambridge igcse ict coursebook per le scuole superiori con e book con espansione online cambridge international igcse wright victoria taylor denise waller david amazon es libros

cambridge igcse ict practical workbook con licenza 2 anni per le - Dec 27 2021

web practical workbook con licenza 2 anni per le scuole superiori con espansione online wright victoria taylor denise waller david amazon it libri libri

cambridge igcse ict per le scuole superiori by graham brown - Sep 04 2022

web jun 5 2023 cambridge igcse ict per le scuole superiori by graham brown cambridge igcse leoniano cambridge igcse ict per le scuole superiori es cambridge igcse ict coursebook per le scuole superiori lista libri tematica lsdlibri it cambridge international igcse ser cambridge igcse

syllabus cambridge igcse information and communication - Apr 30 2022

web cambridge igcse information and communication technology encourages learners to develop lifelong skills including understanding and using applications using information and communication technology ict to solve problems analysing designing implementing testing and evaluating ict systems ensuring that they are fit for purpose

cambridge igcse ict coursebook per le scuole superiori - Apr 11 2023

web cambridge igcse ict coursebook per le scuole superiori con e book con espansione online 9781108901093 15 di sconto libreria universitaria libri scolastici bambini e ragazzi materiale educativo 41 22 48 50 risparmi 7 28 15 o 3 rate da 13 74 senza interessi con i normalmente disponibile in 4 5 giorni lavorativi quantità

cambridge igcse information and communication technology 0417 - Feb 09 2023

web ict for cambridge igcse third edition cambridge university press develop a solid understanding of how and why technology and communication are core to the world we live in a focus on practical skills enables students to apply theory to *cambridge igcse ict per le scuole superiori download only* - Dec 07 2022

web cambridge igcse ict per le scuole superiori 3 3 examination in 2019 and all components of the series are endorsed by cambridge international examinations cambridge igcse combined and co ordinated sciences coursebook is tailored to the 0653 and 0654 syllabuses for first examination in

cambridge igcse ict coursebook per le scuole superiori con - Jan 08 2023

web cambridge igcse ict coursebook per le scuole superiori con contenuto digitale per accesso on line by denise taylor david waller victoria wright

cambridge igcse ict coursebook per le scuole superiori - May 12 2023

web compra cambridge igcse ict coursebook per le scuole superiori con e book con espansione online spedizione gratuita su ordini idonei

syllabus cambridge igcse information and communication - Jan 28 2022

web learners in a modern ict based world need to have the ability to gather process and manipulate data this course helps

learners to fulfil this cambridge igcse are accepted and valued by leading universities and employers around the world as evidence of academic achievement many universities require a combination of cambridge

cambridge igcse ict per le scuole superiori by graham brown - Oct 05 2022

web may 31 2023 le certificazioni igcse liceo scientifico statale cambridge igcse ict coursebook per le scuole superiori outflows2019 com outflows2019 com biblioteca cambridge igcse ict coursebook per le scuole superiori gcse maths higher all in one revision and practice professore di matematica fisica e ict per ripetizioni cambridge

cambridge igcse ict per le scuole superiori by graham brown - Nov 06 2022

web jun 23 2023 9780198357865 cambridge igcse ict coursebook per le scuole superiori per le scuole superiori con cd rom gli amish ecclesiae sponsae imago istruzione sull ordo virginum antonio e cleopatra testo inglese a fronte gestione responsabilità e fallimento nelle società di persone horror italiano acqua alta

cambridge igcse - Aug 03 2022

web cambridge igcse cambridge igcse è la certificazione internazionale più conosciuta al mondo per i ragazzi dai 14 ai 16 anni essa è riconosciuta dalle università più prestigiose e dai datori di lavoro in tutto il mondo come un passaporto internazionale per

cambridge igcse ict per le scuole superiori amazon it - Aug 15 2023

web compra cambridge igcse ict per le scuole superiori spedizione gratuita su ordini idonei

cambridge igcse ict coursebook per le scuole superiori - Jun 01 2022

web acquista cambridge igcse ict coursebook per le scuole superiori con cd rom 9781108698061 con il 7 di sconto su libreria universitaria acquista tutti i libri per la tua scuola e ricevili direttamente a casa tua

cambridge igcse ict per le scuole superiori jon hird book - Feb 26 2022

web a complete ict course for children from five years of age grammar and vocabulary for the real world per le scuole superiori jon hird 2015 cambridge igcse and o level history option b the 20th century coursebook paul grey 2018 01 25 cambridge igcse and o level history second edition for option b the 20th century of the

cambridge igcse ict coursebook per le scuole superiori con - Mar 10 2023

web sep 30 2021 coupon rent cambridge igcse ict coursebook per le scuole superiori con contenuto digitale per accesso on line 3rd edition 9781108901093 and save up to 80 on textbook rentals and 90 on used textbooks get free 7 day instant etextbook access

cambridge igcse ict coursebook per le scuole superiori - Jun 13 2023

web cambridge igcse ict coursebook per le scuole superiori con cd rom wright victoria taylor denise amazon it libri

cambridge igcse ict student s book per le scuole superiori - Jul 14 2023

web the cambridge igcse complete ict student book offers a flexible visual and practice based approach that helps to build students confidence step by step and ensure they reach their full

certificazioni inglese cambridge english per le scuole - Jul 02 2022

web le certificazioni di inglese cambridge per le scuole sono create ad hoc per favorire studenti e insegnanti scopri come integrarle con il percorso didattico e come proporle nella tua scuola

pay it forward meaning pop culture by dictionary com - May 31 2023

web mar 19 2018 what does pay it forward mean pay it forward is an expression for when the recipient of an act of kindness does something kind for someone else rather than simply accepting or repaying the original good deed

pay it forward idioms by the free dictionary - Dec 26 2022

web to perform some act of kindness for someone else after being the recipient of such an act oneself treat people with generosity and kindness chances are they ll pay it forward and be kind to others too having a kind caring academic advisor made my transition to college life so much easier

[pay it forward adventist community services](#) - Jul 01 2023

web 1 pay it forward day pif in 2009 acs launched pif day in yuhua constituency this one day event is held annually and now includes other constituencies i e moulmein geylang serai serangoon and sengkang each year on pif day lower income residents are invited to a meal and a free health screening

pay it forward wikipedia - Sep 03 2023

web pay it forward is an expression for describing the beneficiary of a good deed repaying the kindness to others rather than paying it back to the original benefactor the concept is old but the particular phrase may have been coined by lily hardy hammond in her 1916 book in the garden of delight 1

cpfb start a ripple of kindness this pay it forward day - Mar 29 2023

web mar 18 2021 here are 6 ideas on what you can do to bring warmth and kindness to those around you on pay it forward day this year you are viewing a pre production site scheduled maintenance cpf digital services will not be available on 8

pay it forward 2000 imdb - Aug 02 2023

web oct 20 2000 pay it forward directed by mimi leder with kevin spacey helen hunt haley joel osment jay mohr a young boy attempts to make the world a better place after his teacher gives him that chance

pay it forward definition cambridge english dictionary - Oct 04 2023

web to do something kind or useful for someone because someone else has done something kind or useful for you we are so thankful for their kindness and generosity and we

3 ways to pay it forward wikihow - Feb 25 2023

web oct 30 2023 1 use pay it forward cards to tell people what you re doing a pay it forward card is a small card that explains the idea behind paying it forward and encourages recipients to continue the process download pay it

pay it forward trailer youtube - Apr 29 2023

web may 7 2008 theatrical movie trailer for pay it forward provided by warner bros

pay it forward 2000 plot imdb - Jan 27 2023

web a young boy attempts to make the world a better place after his teacher gives him that chance young trevor mckinney troubled by his mother s alcoholism and fears of his abusive but absent father is caught up by an intriguing assignment from his new social studies teacher mr simonet