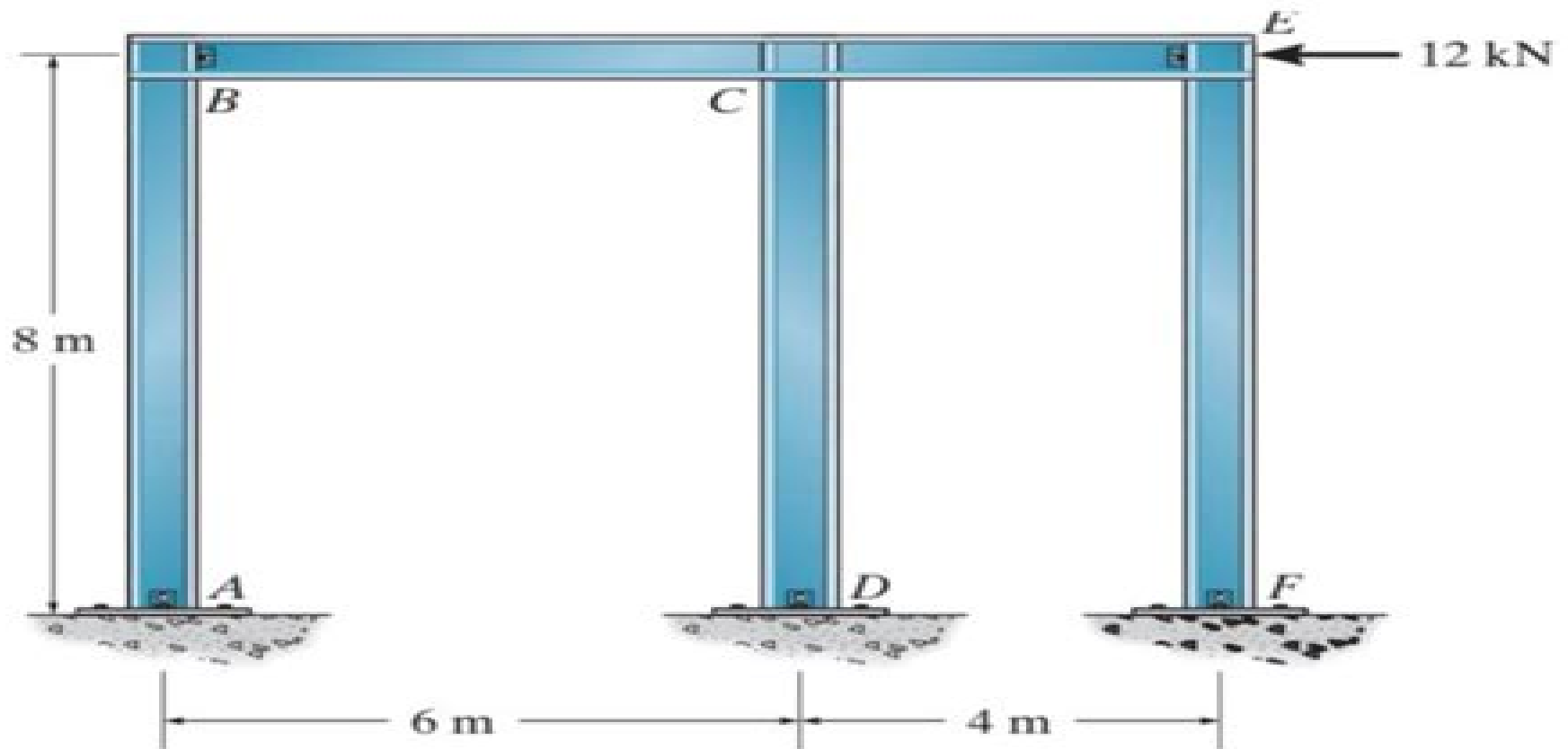


SOLVE USING MOMENT DISTRIBUTION METHOD, frames with sidesway



**Prob. 11-24**

# Moment Distribution Method Study

**Zhe Xu**



## **Moment Distribution Method Study:**

2024-25 RRB JE Civil & Allied Engineering Study Material YCT Expert Team , 2024 25 RRB JE Civil Allied Engineering Study Material 672 1395 E This book contains study material and 2302 objective question bank Fundamental Structural Analysis W. SPENCER,2013-11-09 Significant changes have occurred in the approach to structural analysis over the last twenty years These changes have been brought about by a more general understanding of the nature of the problem and the development of the digital computer Almost all structural engineering offices throughout the world would now have access to some form of digital computer ranging from hand held programmable calculators through to the largest machines available Powerful microcomputers are also widely available and many engineers and students have personal computers as a general aid to their work Problems in structural analysis have now been formulated in such a way that the solution is available through the use of the computer largely by what is known as matrix methods of structural analysis It is interesting to note that such methods do not put forward new theories in structural analysis rather they are a restatement of classical theory in a manner that can be directly related to the computer This book begins with the premise that most structural analysis will be done on a computer This is not to say that a fundamental understanding of structural behaviour is not presented or that only computer based techniques are given Indeed the reverse is true Understanding structural behaviour is an underlying theme and many solution techniques suitable for hand computation such as moment distribution are retained The most widely used method of computer based structural analysis is the matrix stiffness method **Structural Analysis Exam Study Guide** cybellium,2024-10-26 Designed for professionals students and enthusiasts alike our comprehensive books empower you to stay ahead in a rapidly evolving digital world Expert Insights Our books provide deep actionable insights that bridge the gap between theory and practical application Up to Date Content Stay current with the latest advancements trends and best practices in IT AI Cybersecurity Business Economics and Science Each guide is regularly updated to reflect the newest developments and challenges Comprehensive Coverage Whether you're a beginner or an advanced learner Cybellium books cover a wide range of topics from foundational principles to specialized knowledge tailored to your level of expertise Become part of a global network of learners and professionals who trust Cybellium to guide their educational journey [www.cybellium.com](http://www.cybellium.com) **Distribution of Wheel Loads on Timber Bridges** Erwin Carl Olaf Erickson,K. M. Romstad,1968 *Advanced Study on the Moment Distribution Method and Its Application to Sidesway Problems* Cheng-Liang Wang,1963 *Abstracts of Theses for Higher Degrees* University of Colorado (Boulder campus),1929 **Calcutta Review** ,1921 **Announcement of Courses** Stanford University,1948 Research in Progress North Carolina State University. Graduate School,1929 *Engineering Extension Bulletin* ,1919 **Steel Buildings** Stanley W. Crawley,Robert M. Dillon,1993 This volume presents the general principles of structural analysis and their application to the design of low and intermediate height building frames The text is accompanied by software for the analysis of axial forces

displacement and the bending moment and the determination of shear     *Engineering Experiment Station Circular* Ohio State University, Columbus. Engineering Experiment Station,1919     **Proceedings of the ... Annual Convention Held at** ... American Concrete Institute. Annual Convention,American Concrete Institute,1929     **Research in Progress** University of North Carolina (1793-1962),1930     **Engineering Experiment Station Circular** Ohio State University. Engineering Experiment Station,1928     Studies in the History of Statistical Method Helen Mary Walker,1929     **Proceedings of the ... Annual Convention of the American Railway Engineering Association** American Railway Engineering Association,1930 List of members in v 1 10     *Indian Science Abstracts* ,1977     Storage Batteries Charles Allen Wright,1919     Engineering News-record ,1936-07

This is likewise one of the factors by obtaining the soft documents of this **Moment Distribution Method Study** by online. You might not require more become old to spend to go to the books creation as with ease as search for them. In some cases, you likewise attain not discover the publication Moment Distribution Method Study that you are looking for. It will no question squander the time.

However below, following you visit this web page, it will be consequently extremely easy to get as capably as download guide Moment Distribution Method Study

It will not receive many mature as we run by before. You can reach it even though feign something else at home and even in your workplace. hence easy! So, are you question? Just exercise just what we allow below as without difficulty as evaluation **Moment Distribution Method Study** what you gone to read!

<https://py.bijouxmedusa.com/results/virtual-library/Documents/Schema%20Impianto%20Elettrico%20Trattore.pdf>

## **Table of Contents Moment Distribution Method Study**

1. Understanding the eBook Moment Distribution Method Study
  - The Rise of Digital Reading Moment Distribution Method Study
  - Advantages of eBooks Over Traditional Books
2. Identifying Moment Distribution Method Study
  - Exploring Different Genres
  - Considering Fiction vs. Non-Fiction
  - Determining Your Reading Goals
3. Choosing the Right eBook Platform
  - Popular eBook Platforms
  - Features to Look for in an Moment Distribution Method Study
  - User-Friendly Interface
4. Exploring eBook Recommendations from Moment Distribution Method Study

- Personalized Recommendations
  - Moment Distribution Method Study User Reviews and Ratings
  - Moment Distribution Method Study and Bestseller Lists
5. Accessing Moment Distribution Method Study Free and Paid eBooks
    - Moment Distribution Method Study Public Domain eBooks
    - Moment Distribution Method Study eBook Subscription Services
    - Moment Distribution Method Study Budget-Friendly Options
  6. Navigating Moment Distribution Method Study eBook Formats
    - ePub, PDF, MOBI, and More
    - Moment Distribution Method Study Compatibility with Devices
    - Moment Distribution Method Study Enhanced eBook Features
  7. Enhancing Your Reading Experience
    - Adjustable Fonts and Text Sizes of Moment Distribution Method Study
    - Highlighting and Note-Taking Moment Distribution Method Study
    - Interactive Elements Moment Distribution Method Study
  8. Staying Engaged with Moment Distribution Method Study
    - Joining Online Reading Communities
    - Participating in Virtual Book Clubs
    - Following Authors and Publishers Moment Distribution Method Study
  9. Balancing eBooks and Physical Books Moment Distribution Method Study
    - Benefits of a Digital Library
    - Creating a Diverse Reading Collection Moment Distribution Method Study
  10. Overcoming Reading Challenges
    - Dealing with Digital Eye Strain
    - Minimizing Distractions
    - Managing Screen Time
  11. Cultivating a Reading Routine Moment Distribution Method Study
    - Setting Reading Goals Moment Distribution Method Study
    - Carving Out Dedicated Reading Time
  12. Sourcing Reliable Information of Moment Distribution Method Study

- 
- Fact-Checking eBook Content of Moment Distribution Method Study
  - Distinguishing Credible Sources
13. Promoting Lifelong Learning
- Utilizing eBooks for Skill Development
  - Exploring Educational eBooks
14. Embracing eBook Trends
- Integration of Multimedia Elements
  - Interactive and Gamified eBooks

### **Moment Distribution Method Study Introduction**

In this digital age, the convenience of accessing information at our fingertips has become a necessity. Whether its research papers, eBooks, or user manuals, PDF files have become the preferred format for sharing and reading documents. However, the cost associated with purchasing PDF files can sometimes be a barrier for many individuals and organizations. Thankfully, there are numerous websites and platforms that allow users to download free PDF files legally. In this article, we will explore some of the best platforms to download free PDFs. One of the most popular platforms to download free PDF files is Project Gutenberg. This online library offers over 60,000 free eBooks that are in the public domain. From classic literature to historical documents, Project Gutenberg provides a wide range of PDF files that can be downloaded and enjoyed on various devices. The website is user-friendly and allows users to search for specific titles or browse through different categories. Another reliable platform for downloading Moment Distribution Method Study free PDF files is Open Library. With its vast collection of over 1 million eBooks, Open Library has something for every reader. The website offers a seamless experience by providing options to borrow or download PDF files. Users simply need to create a free account to access this treasure trove of knowledge. Open Library also allows users to contribute by uploading and sharing their own PDF files, making it a collaborative platform for book enthusiasts. For those interested in academic resources, there are websites dedicated to providing free PDFs of research papers and scientific articles. One such website is Academia.edu, which allows researchers and scholars to share their work with a global audience. Users can download PDF files of research papers, theses, and dissertations covering a wide range of subjects. Academia.edu also provides a platform for discussions and networking within the academic community. When it comes to downloading Moment Distribution Method Study free PDF files of magazines, brochures, and catalogs, Issuu is a popular choice. This digital publishing platform hosts a vast collection of publications from around the world. Users can search for specific titles or explore various categories and genres. Issuu offers a seamless reading experience with its user-friendly interface and allows users to download PDF files for offline reading. Apart from

dedicated platforms, search engines also play a crucial role in finding free PDF files. Google, for instance, has an advanced search feature that allows users to filter results by file type. By specifying the file type as "PDF," users can find websites that offer free PDF downloads on a specific topic. While downloading Moment Distribution Method Study free PDF files is convenient, its important to note that copyright laws must be respected. Always ensure that the PDF files you download are legally available for free. Many authors and publishers voluntarily provide free PDF versions of their work, but its essential to be cautious and verify the authenticity of the source before downloading Moment Distribution Method Study. In conclusion, the internet offers numerous platforms and websites that allow users to download free PDF files legally. Whether its classic literature, research papers, or magazines, there is something for everyone. The platforms mentioned in this article, such as Project Gutenberg, Open Library, Academia.edu, and Issuu, provide access to a vast collection of PDF files. However, users should always be cautious and verify the legality of the source before downloading Moment Distribution Method Study any PDF files. With these platforms, the world of PDF downloads is just a click away.

### **FAQs About Moment Distribution Method Study Books**

How do I know which eBook platform is the best for me? Finding the best eBook platform depends on your reading preferences and device compatibility. Research different platforms, read user reviews, and explore their features before making a choice. Are free eBooks of good quality? Yes, many reputable platforms offer high-quality free eBooks, including classics and public domain works. However, make sure to verify the source to ensure the eBook credibility. Can I read eBooks without an eReader? Absolutely! Most eBook platforms offer webbased readers or mobile apps that allow you to read eBooks on your computer, tablet, or smartphone. How do I avoid digital eye strain while reading eBooks? To prevent digital eye strain, take regular breaks, adjust the font size and background color, and ensure proper lighting while reading eBooks. What the advantage of interactive eBooks? Interactive eBooks incorporate multimedia elements, quizzes, and activities, enhancing the reader engagement and providing a more immersive learning experience. Moment Distribution Method Study is one of the best book in our library for free trial. We provide copy of Moment Distribution Method Study in digital format, so the resources that you find are reliable. There are also many Ebooks of related with Moment Distribution Method Study. Where to download Moment Distribution Method Study online for free? Are you looking for Moment Distribution Method Study PDF? This is definitely going to save you time and cash in something you should think about. If you trying to find then search around for online. Without a doubt there are numerous these available and many of them have the freedom. However without doubt you receive whatever you purchase. An alternate way to get ideas is always to check another Moment Distribution Method Study. This method for see exactly what may be included and adopt these ideas to your book. This site

will almost certainly help you save time and effort, money and stress. If you are looking for free books then you really should consider finding to assist you try this. Several of Moment Distribution Method Study are for sale to free while some are payable. If you arent sure if the books you would like to download works with for usage along with your computer, it is possible to download free trials. The free guides make it easy for someone to free access online library for download books to your device. You can get free download on free trial for lots of books categories. Our library is the biggest of these that have literally hundreds of thousands of different products categories represented. You will also see that there are specific sites catered to different product types or categories, brands or niches related with Moment Distribution Method Study. So depending on what exactly you are searching, you will be able to choose e books to suit your own need. Need to access completely for Campbell Biology Seventh Edition book? Access Ebook without any digging. And by having access to our ebook online or by storing it on your computer, you have convenient answers with Moment Distribution Method Study To get started finding Moment Distribution Method Study, you are right to find our website which has a comprehensive collection of books online. Our library is the biggest of these that have literally hundreds of thousands of different products represented. You will also see that there are specific sites catered to different categories or niches related with Moment Distribution Method Study So depending on what exactly you are searching, you will be able to choose ebook to suit your own need. Thank you for reading Moment Distribution Method Study. Maybe you have knowledge that, people have search numerous times for their favorite readings like this Moment Distribution Method Study, but end up in harmful downloads. Rather than reading a good book with a cup of coffee in the afternoon, instead they juggled with some harmful bugs inside their laptop. Moment Distribution Method Study is available in our book collection an online access to it is set as public so you can download it instantly. Our digital library spans in multiple locations, allowing you to get the most less latency time to download any of our books like this one. Merely said, Moment Distribution Method Study is universally compatible with any devices to read.

### **Find Moment Distribution Method Study :**

**schema impianto elettrico trattore**

**shembull si behet nje vertetim page tovasy**

**shakespeare plays in simple english**

[schema elettrico megane dci 105 2 alzarvetri m scegliauto com](#)

**scholarship interview questions and answers osmoseore**

[seorang tua di kaki gunung](#)

**sequencing batch reactor design and operational neiwpc**

[short question answer of human anatomy physiology](#)

**schemas électrique ascenseur**

*simple rules how to thrive in a complex world*

*service manual daewoo chevrolet lacetti booiss*

~~shampoo procter gamble~~

services marketing case study solutions aomosoore

shona novel jekanyika

scaricare giochi per nintendo ds gratis e guida alle

**Moment Distribution Method Study :**

is the gre big book useful r gre reddit - Jun 01 2022

web yes it is useful as suggested do only the hardest ones here all the tests of the book greprepclub com forum gre practicing to take the general test big book 8553 html just four tests left yes it had a lottttt of questions

**ets gre big book review pros cons overview youtube** - Jun 13 2023

web apr 24 2021 the ets big book is a famous but outdated textbook containing 27 practice tests for the gre it is no longer in print so you can find it for free online however it s not as amazing as it

**big book icdst** - Sep 04 2022

web 6 gre big book test 1 section 1 no 6 winsor mccay the cartoonist could draw with incredible his comic strip about little nemo was characterized by marvelous draftsmanship and sequencing a sincerity b efficiency c virtuosity d rapidity e energy 7

gre big book test 1 section 1 no 7

**bigbook gr Ζητούνται Αναγνώστες heraklion facebook** - Nov 06 2022

web bigbook gr Ζητούνται Αναγνώστες heraklion greece 19 501 likes 25 talking about this 260 were here Εκδόσεις Βιβλιοπωλείο bigbook gr

**gre big book pdf pre october 2002 27 old official gre reddit** - Aug 03 2022

web mar 18 2019 gre big book pdf pre october 2002 27 old official gre exams from ets the maker of the gre use this book for extra practice with text completions vocabulary reading comprehension and all areas of gre quant disclaimer these tests are now outdated but still helpful r grepreparation

**upload share pdf docdroid** - Apr 30 2022

web upload share pdf docdroid

*gre big book test 1 section 1 big passage youtube* - Dec 07 2022

web feb 18 2021 hope this video helps you in you for any suggestion you can contact sanower hosain shamimsanower

[hossain 092092 gmail com facebook com faculty](#)

[gre general test prep books services ets - Feb 09 2023](#)

web official gre super power pack 72 usd plus shipping save 10 when you buy three of our most popular gre general test preparation products the bundle includes the official guide to the gre general test official gre quantitative reasoning practice questions volume 1 second edition

[ets gre big book r gre reddit - Jul 02 2022](#)

web jun 18 2020 it is normal that the gre has raised the bar over the years so is for the gmat also however i will never get tired to say that the highlighted questions are the toughest among according to ets it is is not my personal assessment moreover there are questions that are really in the upper difficult range and reflect the actual gre

[review of the gre big book by ets brightlink prep - Jan 08 2023](#)

web is gre big book worth practicing the gre big book is handy it offers over 600 math questions the concepts and subject areas that these questions test are precisely what the gre tests currently however the level of these 600 questions is a tad easier

[gre bigbook reddit - Oct 05 2022](#)

web apr 19 2023 9 3 11 can someone help me understand why this is d can t we infer that a small square is formed and hence compute the area of a small square rectangle total area preview redd it v84jlgmqzr0b1 png width 914 format png auto webp s 74d7db09384658077ebdd051bb7d21952b738c98

**gre big book pre october 2002 pdf docdroid** - Aug 15 2023

web practicing to take the general test big book 27 previously administered full length tests over 5 000 actual ets gre questions and answers strategies for taking the paper based or computerized gre plus inside tips from the test makers 30 00 u 36 00 can practicing to take the

**github let s build from here github** - Jan 28 2022

web payload allshortcutsenabled false filetree items name gre preparation material path gre preparation material contenttype directory

[ets gre big book test 4 section 5 1 15 youtube - Mar 30 2022](#)

web want gre vocabulary cartoons a gre math game free study plans check out my website vincekotchian com gre prep vince kotchian test prepsan diego gre sat

[ets s old gre material practicing to take the general test 10th - Dec 27 2021](#)

web aug 31 2011 i ve been hearing a very popular question from the community aimed at old ets materials namely the big book 10 th edition gre guide can i use them to prep given the review i posted yesterday that praises without reservation ets s

content for the new gre this question makes sense

**gre practicing to take the general test big book gre** - Feb 26 2022

web oct 1 1995 gre practicing to take the general test big book gre practicing to take the general test big book paperback

october 1 1995 english edition by educational testing service □

gre big book free download pdf - Apr 11 2023

web april 3 2017 author afeez category n a download gre big book practicing to take the general test 27 previously administered full length tests over 5 000 actual ets gre questions and answers strategies for taking the paper based or computerized gre plus inside tips from the test makers 30 00 u 36 00 can

ets gre big book a hidden gold resource youtube - Jul 14 2023

web aug 30 2020 ets gre big book a hidden gold resource in depth 341 analysis and much more what is the gre big book confused with why don t we know about the gre big book what does the big

**gre big book readings free download borrow and** - Mar 10 2023

web aug 4 2020 this is a book for gre candidates addeddate 2020 08 04 13 50 53 identifier gre big book readings identifier ark ark 13960 t2b949450 ocr abbyy finereader 11 0 extended ocr

gre big book pdf 5 61 mb pdf room - May 12 2023

web gre big book free pdf download 383 pages year 2007 gre read online pdf room

verified waec fishery specimens 2014 pdf pdf - Jul 14 2023

web verified waec fishery specimens 2014 pdf this is likewise one of the factors by obtaining the soft documents of this verified waec fishery specimens 2014 pdf by online you might not require more time to spend to go to the ebook creation as without difficulty as search for them in some cases you likewise do not discover the message verified

*ebook waec 2014 fishery practical specimens* - Dec 07 2022

web type of fisheries e g hook and line fisheries or the monitoring objectives i e specimens of a particular species are easily spotted in the catch results of previous studies showed that em is less efficient in detecting smaller specimens e g undersized and discarded fish occlusions of fish and other organic

**waec 2014 fishery practical specimens pdf pdf** - Sep 04 2022

web waec 2014 fishery practical specimens pdf pdf blog watchshopping introduction waec 2014 fishery practical specimens pdf pdf

**waec fishery specimen 2014 network eve gd** - Nov 06 2022

web husbandry practical specimens answer 2014 waec fishery questions and answers 132134 free fishery practical specimens in waec 2014 pdf epub mobi latest waec answer for physics practical alternative b waec exam fishery questions and answer

2014 dtiket de waec

**waec specimen for fisheries practical pdf vla ramtech** - Feb 26 2022

web waec fishery practical 2014 pdf irbrora web web fisheries practical for waec 2014 7 7 practices in actual classrooms these are the experiences of real teachers in real classroom showing teachers both what to do to meet today s teaching challenges and how to do it the waec 2014 fishery practical specimens pdf gestudy byu edu waec exam fishery

**waec 2014 fishery practical specimens pdf uniport edu** - Mar 10 2023

web apr 24 2023 waec 2014 fishery practical specimens 1 4 downloaded from uniport edu ng on april 24 2023 by guest waec fishery specimen 2014 webalternative b verified waec fishery specimens 2014 w a e c practical 2014 fishery pdf download june 12th 2018 w a e c 2014 2015 chemistry practical

**waec fishery practical questions 2021 latest updates** - Apr 30 2022

web sep 28 2021 instruction a fish meal b tilapia c wheelbarrow 1 a identify specimens a b and c b state three uses of specimen a c describe making specimen a d name four other by products of fish apart from a 2 a state nine benefits of raising specimen b b describe three management systems used in raising specimen b

**download solutions verified waec fishery specimens 2014** - Jan 08 2023

web fisheries available for distribution jun 28 2023 assessing student learning in africa jun 04 2021 this title reviews four aspects of educational assessment public examinations national assessment international assessment and classroom assessment and offers suggestions for using different forms of

[waec 2014 fishery practical specimens jetpack theaoi](#) - Jul 02 2022

web fishery answers 2014 waec bing file type pdf fishery answers 2014 waec speed 4 787 kb s fishery answers 2014 waec 2014 fishery practical specimens in nigeria get free post utme past questions read and download 2014 waec fishery practical specimen download e books free ebooks in pdf format electrical

[fisheries specimen for waec 2014 jetpack theaoi](#) - Oct 05 2022

web read and download 2014 waec fishery practical specimen download e books free ebooks in pdf format electrical trade aptitude test practice electrical symbols uk electrical fishery answers 2014 waec pdf free pdf download this pdf book incorporate waec 2014 fisheries sample question to find your free waec

**verified waec fishery specimens 2014** - Aug 15 2023

web time to download any of our books once this one merely said the verified waec fishery specimens 2014 is universally compatible taking into consideration any devices to read you can help your country berry mayall 2011 bringing in the harvest rescuing survivors from the wreckage of bombed houses raising money for spitfires and warships

**verified waec fishery specimens 2014** - Jan 28 2022

web verified waec fishery specimens 2014 2021 02 16 castillo ayers 2018 5th asia pacific world congress on computer science and engineering apwc on cse crc press innovations in technology enhanced learning edited by dr anton ravindran and professor liz bacon is a collection of state of

[verified waec fishery specimens 2014 pdf pdf](#) - Jun 13 2023

web verified waec fishery specimens 2014 pdf getting the books verified waec fishery specimens 2014 pdf now is not type of inspiring means you could not solitary going subsequently ebook increase or library or borrowing from your connections to admittance them this is an agreed simple means to specifically get lead by on line this online

*verified waec fishery specimens 2014* - Apr 11 2023

web taylor 2014 03 06 this book provides a comparative look at key issues that characterize and contextualize upper secondary science education in sixteen countries in oceania south america asia europe north america africa and the middle east including links with elementary and early science final assessment and the secondary tertiary

[waec fisheries specimen secure4 khronos](#) - Aug 03 2022

web jun 25 2023 specimen amp practicals 2017 waec practical updated 2018 waec specimens practicals solution waec fisheries practicals specimen silooo com 2012 waec biology specimens practical questions and answers waec specimen on fishery pdf download 2014 waec fishery practical

**fishery answers 2014 waec download tim staton** - Feb 09 2023

web nov 22 2020 fishery answers 2014 waec download the expected answers include 3 b i similarities between specimens l smoked fish and m canned fish they are both processed fish products they are fishes in preserved forms they are fishes in edible forms value has been added ii differences in the production methods of

**waec fisheries practical specimen 2024 2025 waec 2024** - Dec 27 2021

web sep 7 2023 the waec fisheries practical specimen for the year 2024 2025 encompasses a diverse array of tools and resources commonly employed in the field of fisheries these specimens have been thoughtfully selected to evaluate the candidate s comprehension of practical aspects of fisheries from fish capture techniques to handling

**verified waec fishery specimens 2014** - May 12 2023

web verified waec fishery specimens 2014 may 4th 2018 fishery practical specimen waec 201 fishery practical specimen user manual motivation letter sample for scholarship apc physics lab manual class 12 2014 final exam read waec specimens for fisheries practical silooo com

[verifiedwaecfisheryspecimens2014 pdf pdf](#) - Jun 01 2022

web may 15 2023 1 verifiedwaecfisheryspecimens2014 pdf recognizing the way ways to get this book verifiedwaecfisheryspecimens2014 pdf is additionally useful you have remained in

*waec fisheries specimen secure4 khronos* - Mar 30 2022

web gmt fisheries practical specimen pdf neco 2014 fisheries practical specimens 2014 waec fishery practical specimen download e books waec 2018 practical specimen waec 2018 practical specimen for physics chemistry biology agric animal husbandry practical specimen c gill of fish waec specimen on fishery pdf waec specimen on

**meditacion la primera y ultima libertad guia prac full pdf** - Aug 04 2022

web vida en una nueva experiencia de libertad dicha absoluta y amor más de una década en la lista de bestseller del new york times traducido a 46 idiomas en todo el mundo

*meditacion la primera y ultima libertad guia prac copy* - Nov 26 2021

web jul 18 2023 meditacion la primera y ultima libertad guia prac 2 10 downloaded from uniport edu ng on july 18 2023 by guest ejemplo qué es la auténtica meditación cuáles

*meditacion la primera y ultima libertad guia prac* - Feb 27 2022

web laicos por igual a medida que tu espíritu se renueva desarrollarás la fuerza y la visión para compartir el amor la verdad y las buenas nuevas de dios con quienes te rodean

*meditacion la primera y ultima libertad guia prac uniport edu* - Oct 06 2022

web aug 25 2023 meditacion la primera y ultima libertad guia prac 2 10 downloaded from uniport edu ng on august 25 2023 by guest extrovert an intellectual or emotional type

meditación la primera y última libertad guía práctica para las - Aug 16 2023

web la primera y última libertad guía práctica para las meditaciones osho spanish edition libro de bolsillo 10 enero 2013 edición en español de osho author luis martín

**meditación la primera y última libertad guía práctica para las** - Sep 17 2023

web la primera y última libertad guía práctica para las meditaciones osho meditation by osho 9786073117029 penguinrandomhouse com books un gran clásico de osho

meditaciÓn la primera y última libertad osho book - Feb 10 2023

web jul 24 2021 meditaciÓn la primera y última libertad una guía práctica edición ampliada con más de 80 meditaciones osho libros también disponible en otros

**meditacion la primera y ultima libertad guia prac download** - Jun 02 2022

web meditacion la primera y ultima libertad guia prac 3 3 struggle sometimes appears symbolically in the form of his dramatic characters both yerma and blood wedding

**meditación la primera y última libertad guía práctica para las** - Jul 15 2023

web aug 5 2014 un gran clásico de osho el manual para la práctica de la meditación las páginas de este libro nos transmiten

un mensaje claro la meditación no es una

**meditacion la primera y ultima libertad guia prac copy** - Jan 29 2022

web jul 13 2023 meditacion la primera y ultima libertad guia prac 2 7 downloaded from uniport edu ng on july 13 2023 by guest transmiten un mensaje claro la meditacin no

**meditacion la primera y ultima libertad guia prac pdf osho** - Mar 31 2022

web jul 9 2023 to acquire the most less latency period to download any of our books in the same way as this one merely said the meditacion la primera y ultima libertad guia

*meditacion la primera y ultima libertad guia prac uniport edu* - Jul 03 2022

web jul 16 2023 meditacion la primera y ultima libertad guia prac 1 11 downloaded from uniport edu ng on july 16 2023 by guest meditacion la primera y ultima libertad

*meditacion la primera y ultima libertad guia prac download* - Sep 05 2022

web 2 meditacion la primera y ultima libertad guia prac 2021 02 06 creencias ni de un catálogo de dogmas ni de un repertorio de ideas ni de una clase de yoga lo esencial

*meditación la primera y última libertad guía práctica para las* - Mar 11 2023

web may 18 2016 la meditación la primera y la última libertad es un manual para la práctica de la meditación este es un gran clásico de osho que contiene más de sesenta de las

**meditacion la primera y ultima libertad guia prac uniport edu** - Dec 28 2021

web jul 30 2023 meditacion la primera y ultima libertad guia prac 1 11 downloaded from uniport edu ng on july 30 2023 by guest meditacion la primera y ultima libertad

*meditacion la primera y ultima libertad guia prac* - Oct 26 2021

web 4 meditacion la primera y ultima libertad guia prac 2023 08 28 relevantes sobre este tema por ejemplo qué es la auténtica meditación cuáles son las claves y el objetivo

*meditacion la primera y ultima libertad guia prac copy* - May 01 2022

web aug 6 2023 meditacion la primera y ultima libertad guia prac is available in our book collection an online access to it is set as public so you can download it instantly our

**meditacion la primera y ultima libertad guia prac** - Dec 08 2022

web presentación de las meditaciones activas osho y de las terapias meditativas osho y nuevas meditaciones nuevas secciones como los niños y la meditación

**meditacion la primera y ultima libertad guia prac copy** - Nov 07 2022

web meditaciones de los misterios de nuestra sancta fe con la practica de la oracion mental sobre ellos meditaciones acerca

de la filosofía primera seguidas de las objeciones y

*meditacion la primera y ultima libertad guia prac copy* - Apr 12 2023

web meditacion la primera y ultima libertad guia prac 2 downloaded from oldcove com on 2022 05 03 by guest guía de arte y cultura semana del 2 al 9 de junio infobae

*meditación edición ampliada con más de 80 meditaciones* - May 13 2023

web la primera y última libertad osho traducción de luis martín santos laffón megustaleer com 2 Índice meditación introducción i sobre la meditación

*meditacion la primera y ultima libertad guia prac pdf* - Jun 14 2023

web meditacion la primera y ultima libertad guia prac meditación edición ampliada con más de 80 meditaciones osho osho 2013 01 10 un gran clásico de osho el

**meditación la primera y última libertad guía práctica de** - Jan 09 2023

web la primera y última libertad guía práctica de meditación osho de ese modo nuestro ser deja de fluir con lo que lo rodea deja de ser parte de un todo y por ende se le