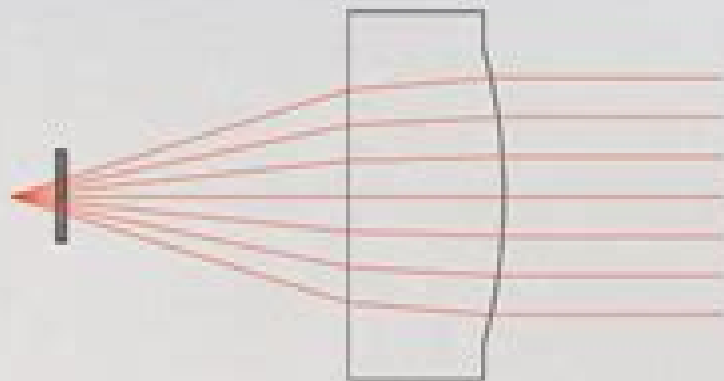
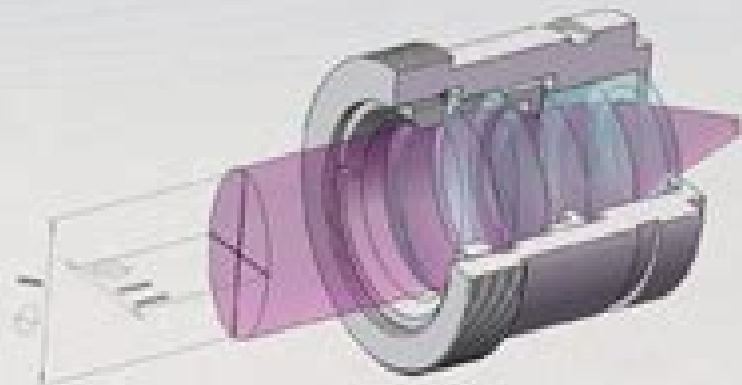


LD Collimator Lens



Zemax Diode Collimator

**Duanyi Xu, Kees A. Schouhamer
Immink, Keiji Shono**



Zemax Diode Collimator:

Discover tales of courage and bravery in its empowering ebook, **Stories of Fearlessness: Zemax Diode Collimator** . In a downloadable PDF format (PDF Size: *), this collection inspires and motivates. Download now to witness the indomitable spirit of those who dared to be brave.

https://py.bijouxmedusa.com/results/book-search/Download_PDFS/For_Small_Business_92_127_Data_Science_Careers_Step_By_Step_America.pdf

Table of Contents Zemax Diode Collimator

1. Understanding the eBook Zemax Diode Collimator
 - The Rise of Digital Reading Zemax Diode Collimator
 - Advantages of eBooks Over Traditional Books
2. Identifying Zemax Diode Collimator
 - Exploring Different Genres
 - Considering Fiction vs. Non-Fiction
 - Determining Your Reading Goals
3. Choosing the Right eBook Platform
 - Popular eBook Platforms
 - Features to Look for in an Zemax Diode Collimator
 - User-Friendly Interface
4. Exploring eBook Recommendations from Zemax Diode Collimator
 - Personalized Recommendations
 - Zemax Diode Collimator User Reviews and Ratings
 - Zemax Diode Collimator and Bestseller Lists
5. Accessing Zemax Diode Collimator Free and Paid eBooks
 - Zemax Diode Collimator Public Domain eBooks
 - Zemax Diode Collimator eBook Subscription Services
 - Zemax Diode Collimator Budget-Friendly Options

6. Navigating Zemax Diode Collimator eBook Formats
 - ePub, PDF, MOBI, and More
 - Zemax Diode Collimator Compatibility with Devices
 - Zemax Diode Collimator Enhanced eBook Features
7. Enhancing Your Reading Experience
 - Adjustable Fonts and Text Sizes of Zemax Diode Collimator
 - Highlighting and Note-Taking Zemax Diode Collimator
 - Interactive Elements Zemax Diode Collimator
8. Staying Engaged with Zemax Diode Collimator
 - Joining Online Reading Communities
 - Participating in Virtual Book Clubs
 - Following Authors and Publishers Zemax Diode Collimator
9. Balancing eBooks and Physical Books Zemax Diode Collimator
 - Benefits of a Digital Library
 - Creating a Diverse Reading Collection Zemax Diode Collimator
10. Overcoming Reading Challenges
 - Dealing with Digital Eye Strain
 - Minimizing Distractions
 - Managing Screen Time
11. Cultivating a Reading Routine Zemax Diode Collimator
 - Setting Reading Goals Zemax Diode Collimator
 - Carving Out Dedicated Reading Time
12. Sourcing Reliable Information of Zemax Diode Collimator
 - Fact-Checking eBook Content of Zemax Diode Collimator
 - Distinguishing Credible Sources
13. Promoting Lifelong Learning
 - Utilizing eBooks for Skill Development
 - Exploring Educational eBooks
14. Embracing eBook Trends
 - Integration of Multimedia Elements

- Interactive and Gamified eBooks

Zemax Diode Collimator Introduction

In today's digital age, the availability of Zemax Diode Collimator books and manuals for download has revolutionized the way we access information. Gone are the days of physically flipping through pages and carrying heavy textbooks or manuals. With just a few clicks, we can now access a wealth of knowledge from the comfort of our own homes or on the go. This article will explore the advantages of Zemax Diode Collimator books and manuals for download, along with some popular platforms that offer these resources. One of the significant advantages of Zemax Diode Collimator books and manuals for download is the cost-saving aspect. Traditional books and manuals can be costly, especially if you need to purchase several of them for educational or professional purposes. By accessing Zemax Diode Collimator versions, you eliminate the need to spend money on physical copies. This not only saves you money but also reduces the environmental impact associated with book production and transportation. Furthermore, Zemax Diode Collimator books and manuals for download are incredibly convenient. With just a computer or smartphone and an internet connection, you can access a vast library of resources on any subject imaginable. Whether you're a student looking for textbooks, a professional seeking industry-specific manuals, or someone interested in self-improvement, these digital resources provide an efficient and accessible means of acquiring knowledge. Moreover, PDF books and manuals offer a range of benefits compared to other digital formats. PDF files are designed to retain their formatting regardless of the device used to open them. This ensures that the content appears exactly as intended by the author, with no loss of formatting or missing graphics. Additionally, PDF files can be easily annotated, bookmarked, and searched for specific terms, making them highly practical for studying or referencing. When it comes to accessing Zemax Diode Collimator books and manuals, several platforms offer an extensive collection of resources. One such platform is Project Gutenberg, a nonprofit organization that provides over 60,000 free eBooks. These books are primarily in the public domain, meaning they can be freely distributed and downloaded. Project Gutenberg offers a wide range of classic literature, making it an excellent resource for literature enthusiasts. Another popular platform for Zemax Diode Collimator books and manuals is Open Library. Open Library is an initiative of the Internet Archive, a non-profit organization dedicated to digitizing cultural artifacts and making them accessible to the public. Open Library hosts millions of books, including both public domain works and contemporary titles. It also allows users to borrow digital copies of certain books for a limited period, similar to a library lending system. Additionally, many universities and educational institutions have their own digital libraries that provide free access to PDF books and manuals. These libraries often offer academic texts, research papers, and technical manuals, making them invaluable resources for students and researchers. Some notable examples include MIT OpenCourseWare, which offers free access to course materials from the Massachusetts Institute of Technology, and the

Digital Public Library of America, which provides a vast collection of digitized books and historical documents. In conclusion, Zemax Diode Collimator books and manuals for download have transformed the way we access information. They provide a cost-effective and convenient means of acquiring knowledge, offering the ability to access a vast library of resources at our fingertips. With platforms like Project Gutenberg, Open Library, and various digital libraries offered by educational institutions, we have access to an ever-expanding collection of books and manuals. Whether for educational, professional, or personal purposes, these digital resources serve as valuable tools for continuous learning and self-improvement. So why not take advantage of the vast world of Zemax Diode Collimator books and manuals for download and embark on your journey of knowledge?

FAQs About Zemax Diode Collimator Books

1. Where can I buy Zemax Diode Collimator books? Bookstores: Physical bookstores like Barnes & Noble, Waterstones, and independent local stores. Online Retailers: Amazon, Book Depository, and various online bookstores offer a wide range of books in physical and digital formats.
2. What are the different book formats available? Hardcover: Sturdy and durable, usually more expensive. Paperback: Cheaper, lighter, and more portable than hardcovers. E-books: Digital books available for e-readers like Kindle or software like Apple Books, Kindle, and Google Play Books.
3. How do I choose a Zemax Diode Collimator book to read? Genres: Consider the genre you enjoy (fiction, non-fiction, mystery, sci-fi, etc.). Recommendations: Ask friends, join book clubs, or explore online reviews and recommendations. Author: If you like a particular author, you might enjoy more of their work.
4. How do I take care of Zemax Diode Collimator books? Storage: Keep them away from direct sunlight and in a dry environment. Handling: Avoid folding pages, use bookmarks, and handle them with clean hands. Cleaning: Gently dust the covers and pages occasionally.
5. Can I borrow books without buying them? Public Libraries: Local libraries offer a wide range of books for borrowing. Book Swaps: Community book exchanges or online platforms where people exchange books.
6. How can I track my reading progress or manage my book collection? Book Tracking Apps: Goodreads, LibraryThing, and Book Catalogue are popular apps for tracking your reading progress and managing book collections. Spreadsheets: You can create your own spreadsheet to track books read, ratings, and other details.
7. What are Zemax Diode Collimator audiobooks, and where can I find them? Audiobooks: Audio recordings of books,

- perfect for listening while commuting or multitasking. Platforms: Audible, LibriVox, and Google Play Books offer a wide selection of audiobooks.
8. How do I support authors or the book industry? Buy Books: Purchase books from authors or independent bookstores. Reviews: Leave reviews on platforms like Goodreads or Amazon. Promotion: Share your favorite books on social media or recommend them to friends.
 9. Are there book clubs or reading communities I can join? Local Clubs: Check for local book clubs in libraries or community centers. Online Communities: Platforms like Goodreads have virtual book clubs and discussion groups.
 10. Can I read Zemax Diode Collimator books for free? Public Domain Books: Many classic books are available for free as they're in the public domain. Free E-books: Some websites offer free e-books legally, like Project Gutenberg or Open Library.

Find Zemax Diode Collimator :

for small business 92-127 data science careers step by step America

startups 92-1403 chatbot development blueprint America 92-1772 chatbot

explained USA 92-1468 home organization for beginners America 92-506

travel ideas for startups 92-1835 budget travel review for creators

tips for entrepreneurs 92-1954 freelancing online tips for entrepreneurs

92-1704 online privacy tools America 92-513 online privacy tutorial

92-1127 remote work blueprint for creators 92-70 remote work case study

technology guide America 92-2142 wearable technology ideas United States

study for small business 92-1267 NFT marketplace checklist America

for creators 92-2536 TikTok marketing strategies for entrepreneurs

for creators 92-1034 SEO strategy roadmap USA 92-1344 SEO strategy

cloud computing ideas for entrepreneurs 92-1191 cloud computing ideas

retirement planning case study for entrepreneurs 92-2391 retirement

content marketing ideas for startups 92-2643 content marketing review

entrepreneurs 92-184 electric vehicles review for small business 92-988

Zemax Diode Collimator :

the book thief film tie in enhanced edition definitions - Sep 06 2022

web introducing the price com browser extension get the best price coupons and cash back add to chrome

the book thief film tie in enhanced edition definitions - Jul 16 2023

web the book thief film tie in enhanced edition definitions ebook zusak markus amazon in kindle store

the book thief film tie in enhanced edition definitions ebook - Nov 08 2022

web the book thief film tie in enhanced edition definitions ebook zusak markus amazon in kindle ☐ ☐ ☐

the book thief film tie in enhanced edition defin 2023 - May 14 2023

web from the author of the book thief comes this darkly funny and ultimately uplifting thriller which proves that anyone can be extraordinary ed kennedy is just your less than average joe who is hopelessly in love with his best friend audrey but after he single handedly manages to catch a bank robber he receives a

the book thief enhanced movie tie in edition kobo com - Jan 10 2023

web sep 14 2023 read the book thief enhanced movie tie in edition by markus zusak available from rakuten kobo the extraordinary 1 new york times bestselling story about the ability of books to feed the soul is now a major motion

the book thief enhanced movie tie in edition by markus zusak - Jul 04 2022

web the book thief movie tie in turtleback school library binding edition turtleback library binding 2013 the book thief listening library audio audio cd 2013 the book thief by zusak markus author oct 2013 paperback alfred a knopf books for young readers paperback 2013

the book thief film tie in enhanced edition definitions - Mar 12 2023

web the book thief film tie in enhanced edition definitions english edition ebook zusak markus amazon de kindle store

the book thief film tie in enhanced edition definitions kindle - Oct 19 2023

web feb 28 2014 the book thief film tie in enhanced edition definitions kindle edition with audio video a new york times no 1 bestseller and with a major global film release in 2014 this ebook is enhanced with film clips and interviews with the actors from the movie as well as a q a with the author a must for book lovers and movie goers alike

the book thief enhanced movie tie in edition google play - Apr 13 2023

web the book thief enhanced movie tie in edition ebook written by markus zusak read this book using google play books app on your pc android ios devices download for offline reading highlight bookmark or take notes while you read the book thief enhanced movie tie in edition

the book thief film tie in enhanced edition definitions - Aug 17 2023

web a new york times no 1 bestseller and with a major global film release in 2014 this ebook is enhanced with film clips and

interviews with the actors from the movie as well as a q a with the author a must for book lovers and movie goers alike

the book thief enhanced movie tie in edition apple books - Feb 11 2023

web this enhanced ebook edition is perfect for new fans and collectors alike it includes an exclusive video welcome to the enhanced edition from markus zusak the official movie trailer for the book thief

the book thief enhanced movie tie in edition ebook - Aug 05 2022

web the book thief enhanced movie tie in edition ebook zusak markus amazon com au books

the book thief enhanced movie tie in edition google books - Jun 15 2023

web nov 18 2013 this enhanced ebook edition is perfect for new fans and collectors alike it includes an exclusive video welcome to the enhanced edition from markus zusak the official movie trailer for the book thief

the book thief film tie in enhanced edition definitions - Feb 28 2022

web sep 27 2023 a new york times no 1 bestseller and with a major global film release in 2014 this ebook is enhanced with film clips and interviews with the actors from the

pdf the book thief film tie in enhanced edition definitions - May 02 2022

web read the latest magazines about pdf the book thief film and discover magazines on yumpu com pt english deutsch français espagnol portugês italiano român nederlands latina dansk svenska norsk magyar bahasa indonesia türkçe suomi latvian lithuanian český русский български unknown

the book thief film tie in enhanced edition definitions - Oct 07 2022

web jun 1 2023 a new york times no 1 bestseller and with a major global film release in 2014 this ebook is enhanced with film clips and interviews with the actors from the movie as well as a q a with the author a must for book lovers and movie goers alike

pdf the book thief film tie in enhanced edition definitions - Apr 01 2022

web read the latest magazines about pdf the book thief film tie in enhanced edition definitions and discover magazines on yumpu com

amazon in customer reviews the book thief film tie in enhanced - Dec 09 2022

web find helpful customer reviews and review ratings for the book thief film tie in enhanced edition definitions at amazon com read honest and unbiased product reviews from our users

the book thief film tie in enhanced edition definitions - Jun 03 2022

web shop the book thief film tie in enhanced edition brand markus zusak 4 7 18 description undefined undefined reviews the book thief film tie in enhanced edition definitions fast delivery to australia easy returns exchanges ask about this product similar products 47952086 51162242 66843335 48325011 49691216

the book thief enhanced movie tie in edition penguin - Sep 18 2023

web bestselling story about the ability of books to feed the soul is now a major motion picture this enhanced ebook edition is perfect for new fans and collectors alike it includes an exclusive video welcome to the enhanced edition from markus zusak the official movie trailer for the book thief

the action bible handbook a dictionary of people - May 28 2023

web mar 1 2013 with vivid illustrations and kid friendly explanations the action bible handbook gives you deeper insight into both familiar and challenging bible words and

the action bible handbook a dictionary of people places and - Mar 14 2022

web within the pages of the action bible handbook a dictionary of people places and things an enthralling opus penned by a highly acclaimed wordsmith readers attempt

the action bible handbook a dictionary of people places and - Feb 22 2023

web buy the action bible handbook a dictionary of people places and things by isbn from amazon s book store everyday low prices and free delivery on eligible orders

the action bible handbook a dictionary of people places and - Aug 19 2022

web this colorful encyclopedic companion to the action bible gives kids the insight they need into the people places and things in the bible vivid illustrations and kid friendly

the action bible wikipedia - May 16 2022

web the action bible is a retelling of the christian bible in comic book form written and edited by doug mauss and illustrated by sergio carIELlo for david c cook published in 2010

action bible handbook a dictionary of people places and - Dec 23 2022

web action bible handbook a dictionary of people places and things carIELlo sergio amazon sg books

the action bible handbook a dictionary of people places and - Oct 01 2023

web mar 1 2013 the action bible handbook a dictionary of people places and things action bible series carIELlo sergio 9781434704832 amazon com books books

the action bible handbook a dictionary of people places and - Sep 19 2022

web mar 1 2013 the action bible handbook a dictionary of people places and things action bible series format hardcover publish date mar 01 2013 isbn 10

the action bible handbook a dictionary of people plac - Aug 31 2023

web mar 1 2013 the action bible handbook by david c cook is the companion to the action bible it s a dictionary for those reading the action bible to help them

action bible handbook a dictionary of people places and things - Jul 30 2023

web buy action bible handbook a dictionary of people places and things reprint by sergio carIELLO sergio carIELLO sergio carIELLO isbn 9781434704832 from amazon s book

the action bible handbook a dictionary of people - Jun 28 2023

web mar 1 2013 with vivid illustrations and kid friendly explanations the action bible handbook gives you deeper insight into both familiar and challenging bible words and

action bible handbook a dictionary of people places and - Mar 26 2023

web amazon in buy action bible handbook a dictionary of people places and things book online at best prices in india on amazon in read action bible handbook a

the action bible handbook a dictionary of people places - Jul 18 2022

web buy the action bible handbook a dictionary of people places and things by sergio carIELLO illustrator online at alibris we have new and used copies available in 1

the action bible handbook a dictionary of people places and - Dec 11 2021

web the action bible handbook a dictionary of people places and things amazon ca books

the action bible handbook a dictionary of people places - Jan 24 2023

web the action bible handbook a dictionary of people places and things action bible series isbn 10 1434704831 isbn 13 9781434704832 david c cook 2013

the action bible handbook a dictionary of people places and - Oct 21 2022

web the action bible handbook a dictionary of people places and things by unknown david c cook 2013 hardcover hardcover unknown on amazon com free

the action bible handbook a dictionary of people places and - Nov 21 2022

web the action bible handbook a dictionary of people places and things amazon com au books

the action bible handbook a dictionary of people places and - Apr 14 2022

web mar 1 2013 the action bible handbook a dictionary of people places and things isbn 1434704831 ean13 9781434704832 language english release date mar 1

the action bible handbook a dictionary of people places and - Apr 26 2023

web the action bible handbook a dictionary of people places and things carIELLO sergio amazon com au books

biblio the action bible handbook a dictionary of people - Jun 16 2022

web mar 1 2013 find the best prices on the action bible handbook a dictionary of people places and things by sergio carIELLO illustrator at biblio hardcover 2013 david c

read free the action bible handbook a dictionary of people - Jan 12 2022

web the action bible handbook a dictionary of people how to create a dynamic dictionary in ansible stack overflow nov 07 2021 web jan 13 2022 rather than having a complex

the action bible handbook a dictionary of people basic books - Feb 10 2022

web bible for children the action bible 2020 09 01 the action bible presents more than 230 fast paced narratives in chronological order making it easy to follow the bible s historical

biology 13th edition mcgraw hill - May 17 2022

web biology 9e by raven from flipkart com only genuine products 30 day replacement guarantee free shipping cash on delivery

biology raven 9th edition - Sep 01 2023

web biology raven 9th edition biology prep writing lab reports and papers spanish animations virtual labs study on the fly chapter activities pre test post test image

biology raven 9th edition mcgraw hill education - Jun 29 2023

web welcome to the biology raven 9 th edition online learning center for students chapter activities use the chapter pull down menus to access self checking quizzes animations

biology 9e buy biology 9e by raven at low price in india flipkart - Apr 15 2022

web biology 9th edition by raven johnson mason losos an view pdf this le consists of details of raven biology 8th edition answers as well as other campbell biology 9th

biology raven 9th edition mcgraw hill education - Nov 10 2021

biology peter h raven google books - Jul 31 2023

web peter h raven mcgraw hill 2011 biology 1279 pages the ninth edition of this text provides a clear and accessible overview of the key topics in biology placing the

biology raven 9th edition mcgraw hill education - May 29 2023

web biology raven 9th edition table of contents part i the molecular basis of life 1 the science of biology 2 the nature of molecules 3 the chemical building blocks of life

map raven biology 12th edition biology libretxts - Feb 11 2022

web biology w connect plus biology with learnsmart access card peter raven 2010 03 08 the ninth edition of this text provides a clear and accessible overview of the key topics

biology 9th edition by raven biblio - Jun 17 2022

web biology 13th edition isbn10 1264097859 isbn13 9781264097852 by peter raven george johnson kenneth mason jonathan losos and tod duncan 2023 purchase

biology amazon co uk raven peter johnson george - Feb 23 2023

web name of textbook raven biology edition 9th edition author mcgraw hill copyright 2011 big idea 1 the process of evolution drives the diversity and unity of life

biology raven 9th edition glencoe mheducation com - Sep 20 2022

web jan 16 2011 amazon in buy raven biology 2011 9e student edition reinforced binding ap biology raven book online at best prices in india on amazon in read

biology 9th edition peter h raven george b - Apr 27 2023

web jan 1 2010 only 1 left in stock order soon biology by peter h raven george b johnson mcgraw hill 2010 9th edition language english publisher mcgraw hill

biology raven 9th edition mcgraw hill education - Oct 22 2022

web biology raven 9th edition new to this edition cutting edge science changes to the ninth edition part i the molecular basis of life the material in this section does not

biology raven 9th edition mcgraw hill education - Oct 02 2023

web biology raven 9th edition overview committed to excellence this edition continues the evolution of the new raven johnson s biology the author team is

name of textbook raven biology edition 9th author copyright - Jan 25 2023

web jan 13 2010 hardcover biology ninth edition biology 103 jefferson state community college custom edition by raven johnson 5 0 1 currently unavailable unknown

biology ninth edition peter h raven 9780077350024 - Mar 27 2023

web buy biology 9 by raven peter johnson george mason kenneth losos jonathan singer susan isbn 9780077350024 from amazon s book store everyday low prices

amazon com biology 9781259188138 raven peter johnson - Jul 19 2022

web biology 9th edition by raven note international edition condition used very good condition edition ninth edition published 2008 binding softcover isbn 10 0071222065

biology 9th edition raven download free pdf or buy books - Mar 15 2022

web 1 the science of biology 2 the nature of molecules and the properties of water 3 the chemical building blocks of life 4 cell structure 5 membranes 6 energy and

amazon com biology raven 9th edition - Dec 24 2022

web amazon com spend less smile more

biology peter raven 9th edition stage dahon com - Jan 13 2022

web found 30 pdf ebooks biology raven 9th edition table of contents view pdf raven biology pdf documents view pdf

lynchburg city schools high school textbook

amazon com spend less smile more - Nov 22 2022

web biology raven 9th edition presentation tools powerpoints animations and images for raven biology 9 e see the instructions and table below using 3d animation

biology raven 9th download free pdf or buy books - Dec 12 2021

web biology raven 9th edition chapter 1 the science of biology in this chapter ap achiever test prep textbook resources

biology prep writing lab reports and

raven biology 2011 9e student edition reinforced binding - Aug 20 2022

web jan 11 2016 this edition continues the evolution of raven johnson s biology the author team is committed to continually improving the text keeping the student and