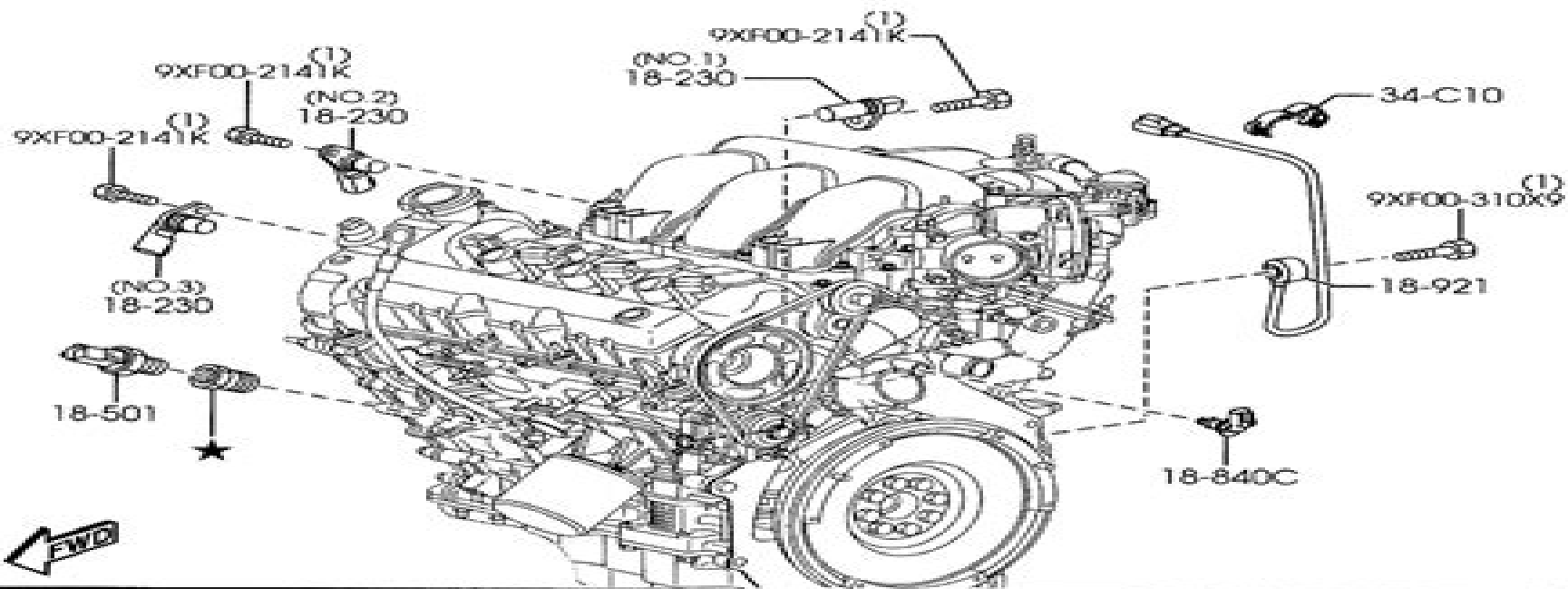
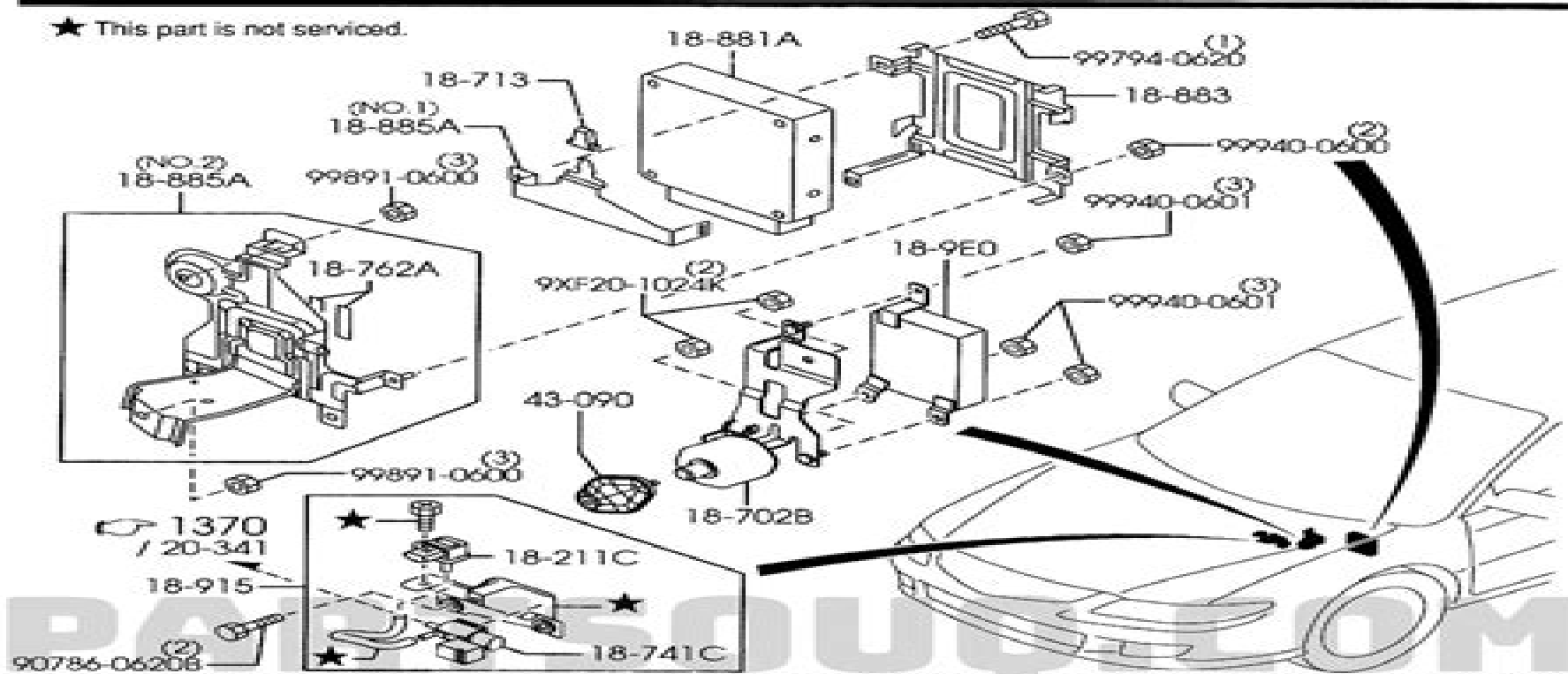


★ This part is not serviced.



2004 Mazda 3 Powertrain Repair Guide

Xiang Xie



2004 Mazda 3 Powertrain Repair Guide:

Immerse yourself in the artistry of words with Experience Art with its expressive creation, **2004 Mazda 3 Powertrain Repair Guide** . This ebook, presented in a PDF format (*), is a masterpiece that goes beyond conventional storytelling. Indulge your senses in prose, poetry, and knowledge. Download now to let the beauty of literature and artistry envelop your mind in a unique and expressive way.

<https://py.bijouxmedusa.com/results/scholarship/fetch.php/Descargar%20Enciclopedia%20Salvat%20Gratis.pdf>

Table of Contents 2004 Mazda 3 Powertrain Repair Guide

1. Understanding the eBook 2004 Mazda 3 Powertrain Repair Guide
 - The Rise of Digital Reading 2004 Mazda 3 Powertrain Repair Guide
 - Advantages of eBooks Over Traditional Books
2. Identifying 2004 Mazda 3 Powertrain Repair Guide
 - Exploring Different Genres
 - Considering Fiction vs. Non-Fiction
 - Determining Your Reading Goals
3. Choosing the Right eBook Platform
 - Popular eBook Platforms
 - Features to Look for in an 2004 Mazda 3 Powertrain Repair Guide
 - User-Friendly Interface
4. Exploring eBook Recommendations from 2004 Mazda 3 Powertrain Repair Guide
 - Personalized Recommendations
 - 2004 Mazda 3 Powertrain Repair Guide User Reviews and Ratings
 - 2004 Mazda 3 Powertrain Repair Guide and Bestseller Lists
5. Accessing 2004 Mazda 3 Powertrain Repair Guide Free and Paid eBooks
 - 2004 Mazda 3 Powertrain Repair Guide Public Domain eBooks
 - 2004 Mazda 3 Powertrain Repair Guide eBook Subscription Services
 - 2004 Mazda 3 Powertrain Repair Guide Budget-Friendly Options

6. Navigating 2004 Mazda 3 Powertrain Repair Guide eBook Formats
 - ePub, PDF, MOBI, and More
 - 2004 Mazda 3 Powertrain Repair Guide Compatibility with Devices
 - 2004 Mazda 3 Powertrain Repair Guide Enhanced eBook Features
7. Enhancing Your Reading Experience
 - Adjustable Fonts and Text Sizes of 2004 Mazda 3 Powertrain Repair Guide
 - Highlighting and Note-Taking 2004 Mazda 3 Powertrain Repair Guide
 - Interactive Elements 2004 Mazda 3 Powertrain Repair Guide
8. Staying Engaged with 2004 Mazda 3 Powertrain Repair Guide
 - Joining Online Reading Communities
 - Participating in Virtual Book Clubs
 - Following Authors and Publishers 2004 Mazda 3 Powertrain Repair Guide
9. Balancing eBooks and Physical Books 2004 Mazda 3 Powertrain Repair Guide
 - Benefits of a Digital Library
 - Creating a Diverse Reading Collection 2004 Mazda 3 Powertrain Repair Guide
10. Overcoming Reading Challenges
 - Dealing with Digital Eye Strain
 - Minimizing Distractions
 - Managing Screen Time
11. Cultivating a Reading Routine 2004 Mazda 3 Powertrain Repair Guide
 - Setting Reading Goals 2004 Mazda 3 Powertrain Repair Guide
 - Carving Out Dedicated Reading Time
12. Sourcing Reliable Information of 2004 Mazda 3 Powertrain Repair Guide
 - Fact-Checking eBook Content of 2004 Mazda 3 Powertrain Repair Guide
 - Distinguishing Credible Sources
13. Promoting Lifelong Learning
 - Utilizing eBooks for Skill Development
 - Exploring Educational eBooks
14. Embracing eBook Trends
 - Integration of Multimedia Elements

- Interactive and Gamified eBooks

2004 Mazda 3 Powertrain Repair Guide Introduction

In today's digital age, the availability of 2004 Mazda 3 Powertrain Repair Guide books and manuals for download has revolutionized the way we access information. Gone are the days of physically flipping through pages and carrying heavy textbooks or manuals. With just a few clicks, we can now access a wealth of knowledge from the comfort of our own homes or on the go. This article will explore the advantages of 2004 Mazda 3 Powertrain Repair Guide books and manuals for download, along with some popular platforms that offer these resources. One of the significant advantages of 2004 Mazda 3 Powertrain Repair Guide books and manuals for download is the cost-saving aspect. Traditional books and manuals can be costly, especially if you need to purchase several of them for educational or professional purposes. By accessing 2004 Mazda 3 Powertrain Repair Guide versions, you eliminate the need to spend money on physical copies. This not only saves you money but also reduces the environmental impact associated with book production and transportation. Furthermore, 2004 Mazda 3 Powertrain Repair Guide books and manuals for download are incredibly convenient. With just a computer or smartphone and an internet connection, you can access a vast library of resources on any subject imaginable. Whether you're a student looking for textbooks, a professional seeking industry-specific manuals, or someone interested in self-improvement, these digital resources provide an efficient and accessible means of acquiring knowledge. Moreover, PDF books and manuals offer a range of benefits compared to other digital formats. PDF files are designed to retain their formatting regardless of the device used to open them. This ensures that the content appears exactly as intended by the author, with no loss of formatting or missing graphics. Additionally, PDF files can be easily annotated, bookmarked, and searched for specific terms, making them highly practical for studying or referencing. When it comes to accessing 2004 Mazda 3 Powertrain Repair Guide books and manuals, several platforms offer an extensive collection of resources. One such platform is Project Gutenberg, a nonprofit organization that provides over 60,000 free eBooks. These books are primarily in the public domain, meaning they can be freely distributed and downloaded. Project Gutenberg offers a wide range of classic literature, making it an excellent resource for literature enthusiasts. Another popular platform for 2004 Mazda 3 Powertrain Repair Guide books and manuals is Open Library. Open Library is an initiative of the Internet Archive, a non-profit organization dedicated to digitizing cultural artifacts and making them accessible to the public. Open Library hosts millions of books, including both public domain works and contemporary titles. It also allows users to borrow digital copies of certain books for a limited period, similar to a library lending system. Additionally, many universities and educational institutions have their own digital libraries that provide free access to PDF books and manuals. These libraries often offer academic texts, research papers, and technical manuals, making them invaluable resources for students and researchers. Some notable examples include MIT OpenCourseWare,

which offers free access to course materials from the Massachusetts Institute of Technology, and the Digital Public Library of America, which provides a vast collection of digitized books and historical documents. In conclusion, 2004 Mazda 3 Powertrain Repair Guide books and manuals for download have transformed the way we access information. They provide a cost-effective and convenient means of acquiring knowledge, offering the ability to access a vast library of resources at our fingertips. With platforms like Project Gutenberg, Open Library, and various digital libraries offered by educational institutions, we have access to an ever-expanding collection of books and manuals. Whether for educational, professional, or personal purposes, these digital resources serve as valuable tools for continuous learning and self-improvement. So why not take advantage of the vast world of 2004 Mazda 3 Powertrain Repair Guide books and manuals for download and embark on your journey of knowledge?

FAQs About 2004 Mazda 3 Powertrain Repair Guide Books

What is a 2004 Mazda 3 Powertrain Repair Guide PDF? A PDF (Portable Document Format) is a file format developed by Adobe that preserves the layout and formatting of a document, regardless of the software, hardware, or operating system used to view or print it. **How do I create a 2004 Mazda 3 Powertrain Repair Guide PDF?** There are several ways to create a PDF: Use software like Adobe Acrobat, Microsoft Word, or Google Docs, which often have built-in PDF creation tools. Print to PDF: Many applications and operating systems have a "Print to PDF" option that allows you to save a document as a PDF file instead of printing it on paper. Online converters: There are various online tools that can convert different file types to PDF. **How do I edit a 2004 Mazda 3 Powertrain Repair Guide PDF?** Editing a PDF can be done with software like Adobe Acrobat, which allows direct editing of text, images, and other elements within the PDF. Some free tools, like PDFescape or Smallpdf, also offer basic editing capabilities. **How do I convert a 2004 Mazda 3 Powertrain Repair Guide PDF to another file format?** There are multiple ways to convert a PDF to another format: Use online converters like Smallpdf, Zamzar, or Adobe Acrobats export feature to convert PDFs to formats like Word, Excel, JPEG, etc. Software like Adobe Acrobat, Microsoft Word, or other PDF editors may have options to export or save PDFs in different formats. **How do I password-protect a 2004 Mazda 3 Powertrain Repair Guide PDF?** Most PDF editing software allows you to add password protection. In Adobe Acrobat, for instance, you can go to "File" -> "Properties" -> "Security" to set a password to restrict access or editing capabilities. Are there any free alternatives to Adobe Acrobat for working with PDFs? Yes, there are many free alternatives for working with PDFs, such as: LibreOffice: Offers PDF editing features. PDFsam: Allows splitting, merging, and editing PDFs. Foxit Reader: Provides basic PDF viewing and editing capabilities. How do I compress a PDF file? You can use online tools like Smallpdf, ILovePDF, or desktop software like Adobe Acrobat to compress PDF files without

significant quality loss. Compression reduces the file size, making it easier to share and download. Can I fill out forms in a PDF file? Yes, most PDF viewers/editors like Adobe Acrobat, Preview (on Mac), or various online tools allow you to fill out forms in PDF files by selecting text fields and entering information. Are there any restrictions when working with PDFs? Some PDFs might have restrictions set by their creator, such as password protection, editing restrictions, or print restrictions. Breaking these restrictions might require specific software or tools, which may or may not be legal depending on the circumstances and local laws.

Find 2004 Mazda 3 Powertrain Repair Guide :

descargar enciclopedia salvat gratis

dacie and lewis practical haematology 6th edition

~~daniel v schroeder thermal physics solution lvown~~

descargar el nuevo vivir del trading alexander elder

dama dmbok guide pdf axdoc

daffynition decoder answers page 121 saglikore

darkness on the edge of town brian keene

deep fat frying your turkey aurora colorado

data communications and networking by behrouz a forouzan 5th edition download

delf b2 me scribd

daf engine warning light

cxc english past papers

curriculum vitae e cf

demanding the impossible slavoj zizek

descargar diario de greg 10 vieja escuela gratis unclie

2004 Mazda 3 Powertrain Repair Guide :

sort xray test plan by using a custom key field atlassian - Jan 02 2022

web nov 23 2023 sort xray test plan by using a custom key field pop camil i m new here nov 23 2023 hi everyone i have a test database where every test has a unique key alphanumeric and all the tests have to be run in a specific order i m trying to create a test plan in xray that has the same structure and has a visible field displaying that key

primary test papers singapore in year 2021 - Sep 29 2021

web test papers in year 2021 show testpapers from choose level choose subject choose type choose school sponsored links
title p5 tamil 2021 sa2 anonymous 5 p5 tamil 2021 sa2 anonymous 34 p5 tamil 2021 sa2 anonymous 3 p5

new us stealth nuclear bomber starts flight tests in key - Dec 01 2021

web nov 10 2023 2 07 the us s newest stealth bomber northrop grumman corp s b 21 raider conducted its first test flight a key milestone in the 203 billion program that s meant to stay well ahead of

answer key progress tests a unit 3 pdf scribd - Feb 15 2023

web answer key progress tests a unit 3 writing grammar 7 1 content maximum 4 points 1 he s been coughing 1 point for content of each 2 i ve been trying paragraph 3c 4c form maximum 2 points 5 he s learned a lot 2 points for good sentence 6c structure and paragraphing 7c 1 point for reasonable structure 8 we ve known range maximum 2

progress test answer keys a unit 1 grammar pdf scribd - Apr 17 2023

web sol3e adv progress test answer keys a read online for free solutions thir edition advanced progress test a answer key
progress test answers studfiles - Mar 04 2022

web progress test 1 play grammar 1 present simple and progressive past simple 1 1 s playing 2 moved 3 takes 4 learned 5 m staying 2 present simple and progressive past simple 2 1 did 2 didn t 3 does 4 do 5 don t 3 present simple and progressive past simple 3 1 is doing 2 i m i am watching 3 are enjoying 4 are wearing vocabulary

progress test answers pdf document - Feb 03 2022

web oct 14 2014 progress test 1 media around the worldgrammar1 talking about the present1 have you read i don t read2 do you want i m cooking3 are you watching i ve seen4 i haven t seen she s working5 do you listen i listen vocabulary2 habits and preferences1 hardly 2 prefer 3 used 4 fan 5 rather

sol adv progresstest 3a key answer key progress tests a - Dec 13 2022

web view notes sol adv progresstest 3a key from gram 302 at university of the punjab answer key progress tests a unit 3 grammar 1 1 hes been coughing 2 ive been trying 3c 4c 5 hes learned a

answer key progress tests download only - Jul 20 2023

web answer key progress tests effective reading tests scoring key progress test level 4 mar 16 2022 key stage 3 assessment in science jan 31 2021 the end of year 7 test helps teachers to assess progress made by students in science throughout the year it includes a mix of multiple choice and structured questions

sol3e uppint progress test answer keys a studocu - Apr 05 2022

web progress test answer keys a unit 1 grammar 1 1 hadn t known 2 had been staying 3 hadn t had 4 had been filming 5 hadn t wanted 6 had shown 2 1 had won 2 had been working 3 hadn t given 4 had made 5 had been studying 6 hadn t been

enjoying 7 had begun 8 had become 3 1 i used to watch lots of horror movies when i was in my early teens

answer key progress tests a unit 10 pdf scribd - Jun 19 2023

web of 1 answer key progress tests a unit 10 reading 8 grammar 1t 2f 3f 4f 5t 1 1 shown writing 2 wanted 9 3 opening content maximum 4 points 4 arriving 1 mark for each point 1 mark for 5 sitting general content 6 sent ½ a mark if part of a point is 7 using included but not developed 8 bought form maximum 2 points 2 2 marks for correct

unit progress test standard answer key - Jul 08 2022

web 2 progress test standard answer key vocabulary exercise 1 1 has sung 1 2 have learned 3 has designed 3 4 has swum 4 5 has caught 6 have climbed 7 have built exercise 2 1 5baked 2 done students own answers listening exercise 13 c 2 d a b 5 e exercise 14 1 nervous 2 the teacher 3 interesting 4 friends 5 computer programs 6 father 7 built

2021 secondary exam papers - Mar 16 2023

web nov 22 2023 best collection of free downloadable 2008 to 2023 test papers ca1 sa1 ca2 sa2 from top schools in singapore some of the top school exam papers that you will be getting includes ai tong all latest test papers ca1 sa1 ca2 sa2 come with answers sheet secondary prelim papers 2021 sec 1 maths

sol2e int progress test a aks progress tests a answer keys - Oct 11 2022

web progress tests a answer keys use of english 7 1 elegant 2 are wearing 3 to be 4 to choose 5 old fashioned 6 unconventional 7 showing off 8 to fit 9 is reacting 10 stylish listening 8 1 f 2 c 3 b 4 d 5 a transcript 1 cctv cameras are a small price to pay if you want to reduce crime i don t mind sacrificing a bit of privacy for a safer life what

progress tests answer key pdf pdf scribd - May 18 2023

web progress tests answer key allow approximately 4560 minutes for each test 3 depending on the level of your students 1 if when 2 by 3 are 4 little 5 will can may 6 out off 7 going 8 drinking having note you might like to have students do progress 9 make 10 at test 1 when they have completed unit 4 progress

oet b1 progress tests answer key pdf scribd - Jun 07 2022

web oet b1 progress tests answer key free download as word doc doc docx pdf file pdf text file txt or read online for free

203 9 complete advanced progress tests with keys 2014 56p - Sep 22 2023

web unit 7 progress test answer key version a progress 9 answer key kkk ket test 2 test de examenes cambridge b2 use of english part 3 first 101 word transformation sentences by keep smiling english

brainy klasa 6 progress tests answer key - Jan 14 2023

web progress tests answer key 1 progress test 1 4 a 1 1 oldest 2 walk 3 birds 4 restaurant 5 ticket 2 1 heater 2 sink 3 beaver 4 rug 3 1 pay 2 endangered 3 fall 4 tap 4 1c 2e 3b 5 1a 2b 3a 6 1 to get 2 as friendly 3 studying 4 the most exciting 5 them 6 hers 7

[progress test answer keys a unit 1 grammar pdf scribd](#) - Aug 21 2023

web progress test answer keys a 1 miserable 2 stay out 3 schoolwork unit 1 4 5 freedom grateful 6 irritating grammar 7 put up with 1 8 run out of 1 was raining 9 calm 2 hadn t been 3 used to speak use of english 4 were studying 6 5 use to play 1 in my experience 6 had passed 2 i agree 7 wasn t copying 3 you shouldn t worry 8 had inherited

answer key progress tests a unit 8 pdf scribd - Oct 23 2023

web sol elem progresstest 8a key doc free download as word doc doc pdf file pdf text file txt or read online for free

mafiadoc com answer key progress tests a - May 06 2022

web answer key progress tests a unit 1 listening 6 grammar 1 on holiday 1 2 at a celebration 1 don t usually go 3 at home 2 is following 4 in a studio 3 does your exam finish 5 at a concert 4 are you watching 5 are you going out reading 6 eat 8 7 are you wearing 1c 2b 3c 4c 5a 8 doesn t open writing 2 9 1 think content maximum 4 points 2

[weekly news quiz november 16 2023 cnn](#) - Oct 31 2021

web nov 17 2023 weekly news quiz november 16 2023 a massive protest a freeway fire a cultural festival

pdf answer key to progress tests version a progress test - Sep 10 2022

web answer key to progress tests version a progress test 11 1 went on 2 clear up 3 do up 4 worn out tired out 2 1 critical2 concerned 3 enthusiastic 4 impolite 5 mature responsible6 disorganised 7 reasonable 8 irresponsible

[unit 8 progress test answer key version a pdf course hero](#) - Nov 12 2022

web unit 8 progress test answer key version a pdf cambridge english empower c1 unit progress test 8 answer key please keep this answer key secure and course hero

[pdf progress test answers pdfslide net](#) - Aug 29 2021

web progress tests x x answer key 1progress test answer keys progress test 1 media around the worldgrammar1 talking about the present1 have you read i don t read2 do you want i m cooking3 are you watching i ve seen4 i haven t seen she s working5 do

tests answer key test generator launcher - Aug 09 2022

web tests answer key language hub pper intermediate tests published by macmillan education a division of springer nature limited springer nature limited 2019 this page may be photocopied and used within the class c 1 of 2 of 3 about 4 of 5 towards d 1 the staff had a party when the boss was on holiday while the dog s cat s away 2 3

[1d pipe flow me 448 548 applied cfd computer action team](#) - Jun 14 2023

web overview this page has links to matlab code and documentation for the finite volume solution to the one dimensional equation for fully developed flow in a round pipe $\mu r r r u r p x 0 \mu r r r u r p x 0$

[the wise research group florida international university](#) - Dec 28 2021

web flows in pipe networks is a matlab code for computing flow discharges and pressures in complex pipe networks
unlimited number of pipes curb and grate inlet flows and pipe flows july 2008 august 2009 for the street and pipe flows a
finite volume shock capturing scheme was used collaborator prof leonardo nania universidad de granada

pipe tl mathworks makers of matlab and simulink - Jan 29 2022

web the pipe tl block represents thermal liquid flow through a pipe the block finds the temperature across the pipe from the
differential between ports pipe elevation and any additional heat transfer at port h the pipe can have a constant or varying
elevation between ports a and b

transient pipe flow file exchange matlab central - Jul 15 2023

web jan 22 2007 compute the transient velocity profile of a flow in a pipe separation of variables allows the determination of
the transient velocity profile in a pipe the present program computes the zeros of the bessel function

developing a one dimensional two phase fluid flow model in - Jul 03 2022

web in this thesis a one dimensional two fluid model is developed in matlab simulink the model features a mass momentum
and energy balance for each fluid an ideal gas and an incompressible liquid the simulation may model a straight pipe section
or a pipe section that involves a cross sectional area change

a pipe flow code - Jun 02 2022

web pipe flow code primitive variable version ashley p willis may 29 2014 differential operators in cylindrical polar
coordinates 20 getting started 1 1 overview of files makefile will require modification for your compiler and libraries see 1 5
sample commands for other compilers can be found near the top of the file

github dwhoff pipe flow thermal solver numerical heat transfer code - Dec 08 2022

web feb 18 2021 pipe flow thermal solver this repository solves heat transfer problems in pipe flows the user may specify a
variety of geometries flow conditions and thermal boundary condition the output includes the wall temperature bulk fluid
temperature and heat flux distributions in the streamwise direction a description of the main settings is

fully developed flow in a pipe a cfd solution computer - May 01 2022

web listing 2 the demopipe1d function solves the nite volume model for one dimensional fully developed laminar ow in a pipe
function refinepipe1d rout mu dpdx refinepipe1d mesh refinement study for 1d fully developed pipe flow if nargin 1 rout 1 if
nargin 2 mu 1 if nargin 3 dpdx 1 end end end

simple algorithm for pipe flow matlab answers - Jan 09 2023

web jul 1 2014 simple algorithm for pipe flow learn more about laminar pipe flow simple algorithm velocity profile semi
implicit method for pressure linked equations

pipe flow analysis with matlab computer action team - Aug 16 2023

web this document describes a collection of matlab programs for pipe flow analysis using these functions it is relatively easy to perform head loss calculations solve flow rate problems generate system curves and find the design point for a system and pump governing equations figure 1 shows a single pipe flow system

[openpipeflow.org](#) - Sep 05 2022

web code features primitive variable pipe flow code for incompressible flow simple scripts for visualisation with matlab octave visit readable fortran 90 uses modules and derived types no esoteric extensions core program 3000 lines spatial discretisation double fourier theta z finite difference r

rigid conduit for fluid flow in two phase fluid systems matlab - Aug 04 2022

web library two phase fluid elements description the pipe 2p block models the flow dynamics of a two phase fluid inside a rigid pipe the dynamic compressibility and thermal capacity of the fluid are assumed non negligible the two phase fluid conserving ports a and b represent the pipe inlets

[flow in the pipe matlab answers matlab central mathworks](#) - Mar 11 2023

web dec 9 2014 i want to show flow s displacement using v in second plot like animation second plot means pipe starting point velocity in pipe is 0 but t 0 1 100 flow is moving velocity is side velocity slower than the center velocity

a compact and fast matlab code solving the incompressible navier stokes - Oct 06 2022

web this code shall be used for teaching and learning about incompressible viscous flows it is an example of a simple numerical method for solving the navier stokes equations

simulate flow through pipe verify results by coding on matlab - Apr 12 2023

web jun 23 2020 aim to simulate flow through pipe for different reynolds number to perform grid dependency test and to verify the results by coding using matlab description and governing equations types of flow laminar flow laminar flow is characterized by smooth streamlines and highly ordered motion

question on code to calculate pipe flow matlab answers - Feb 10 2023

web feb 22 2015 g 32 2 gravity constant i 1 2 3 loop numbers j 16 10560 12 15840 14 10560 16 15840 16 15840 14 13200 12 10560 16 10560 12 15840 10 15840 12 15840 12 15840 pipe diameter lengths d j 1 12 pipe diameter in feet a pi 4 d 2 area of pipes

matlab code to solve the channel flow problem mathworks - May 13 2023

web apr 14 2020 this is a matlab code that uses finite volume method to discretize the channel flow domain to solve the continuity and the x y momentum equations using the semi implicit method for pressure linked equation simple u v velocities are declared and solved along the staggered mesh while the pressure uses the normal mesh

pipeline matlab expressions matlab simulink mathworks - Mar 31 2022

web pipeline matlab expressions with the coder hdl pipeline pragma you can specify the placement and number of pipeline registers in the hdl code generated for a matlab expression if you insert pipeline registers and enable distributed pipelining hdl coder automatically moves the pipeline registers to break the critical path

[matlab code for pipe flow cfd online discussion forums](#) - Nov 07 2022

web jul 6 2011 2d flow of 2 parallel plates is not the same as flow through a pipe take for instance permeability of the pipe plates in case of a pipe $k_r = 2.8$ where for 2 plates $k_r = 2.3$ so be careful interpreting your results from the 2d simulation i would also suggest you go to cylindrical coordinates if you really want to simulate pipeflow good

the wise research group - Feb 27 2022

web apr 15 2015 flows in pipe networks is a matlab code for computing flow discharges and pressures in complex pipe networks unlimited number of pipes this code can also handle any number of pumps

[how do i plan the electrical wiring for my home houzz ie](#) - May 31 2022

web may 22 2022 electrical symbols represent the various electrical components and devices used in a house wiring system such as outlets switches receptacles and

electrical symbols for house wiring wiring diagram - Mar 29 2022

web home electrical wiring mar 23 2023 home electrical wiring is fully explained by a licensed electrical contractor with on the job photos that help with wiring small electrical projects rewiring or upgrading an older home or wiring a new home complete with organized electrical codes for each project that are easy to understand an irish tail a

how do you draw electrical symbols and diagrams bbc bitesize - Jan 27 2022

house rewiring ireland everything you need to - Jul 01 2022

web a circuit always has a battery cell but it can also contain other electrical components such as bulbs buzzers and motors when drawing circuit diagrams rather than drawing detailed components

[electrical house wiring symbols wiring digital and schematic](#) - Feb 25 2022

web electrical drawing symbols are used in both wiring diagrams and wiring schematics electrical diagrams and schematics visually represent electrical circuits in different ways wiring diagrams show the connections and physical layout of

electrical wiring colour code ireland wiring draw and schematic - May 11 2023

web mar 28 2022 this standard sets out the colour codes that should be used when wiring electrical systems and the colours are as follows red live blue neutral

[electrical symbols house wiring ireland copy](#) - Oct 24 2021

electrical wiring colour code ireland - Feb 08 2023

web the following table provides the commonly used electrical wiring schematic symbols for push buttons and lamps which comply with the iec and bs electrical symbols we have included the normally open and normally closed

[national rules for electrical installations fags](#) - Aug 14 2023

web ireland s new national rules for electrical installations previously known as national wiring rules have been published by the nsai the document is the first major revision to the standard in over 10 years and is based on internationally agreed standards for safety

electrical blueprint symbols the house plans guide com - Apr 29 2022

web may 23 2023 when it comes to residential wiring there are many different symbols that can be used these familiar symbols include receptacles switches and lights in

common electrical symbols all builders must know - Sep 03 2022

web jul 19 2023 the complete guide to electrical symbols for house wiring as a homeowner you may not be aware of the different electrical symbols that are found in

electrical symbols for house wiring diagram board - Dec 26 2021

trade of electrician ecollege - Jun 12 2023

web recognise and use important electrical symbols understand important terms associated with the installation of lighting circuits understand the sequence of control in a domestic

wiring diagram symbols electrical wiring symbol legend - Dec 06 2022

web complete guide to home electrical wiring perfect for homeowners handyman electrician building inspector educators students and electricians includes table of

house electrical wiring diagram symbols pdf diagram circuit - Nov 24 2021

house electrical symbols wiring diagram - Jul 13 2023

web jul 8 2023 house electrical symbols represent different components within an electrical system these components may include outlets switches breakers lights and other

how to read electrical symbols the home depot - Sep 22 2021

wiring diagrams and symbols ask the electrician - Aug 02 2022

web aug 11 2022 everything you need to know about electrical house wiring symbols understanding electrical house wiring

symbols is key to becoming an informed homeowner knowing the basic symbols used in a wiring diagram can help you troubleshoot and identify issues with your circuit

guidelines to basic electrical wiring in your home and - Apr 10 2023

web may 26 2022 the majority of electrical wiring in ireland is standardised to the national wiring regulations this means that all wiring should use the same colours which are black red blue and green the colours are used to identify different circuit functions such as live neutral and earth

house wiring diagram everything you need to know - Jan 07 2023

web jul 16 2020 common electrical and lighting symbols 1 duplexes a circle off of the wall and connected to it by two parallel lines represents a typical outlet or receptacle with

electrical symbols tlc electrical tlc direct - Oct 04 2022

web the most commonly used electrical blueprint symbols including plug outlets switches lights and other special symbols such as door bells and smoke detectors are shown in the figure below note explanations for common household electrical items such as three way switches and switched duplex plug outlets are below the figure notes

electrical wiring symbols meanings and drawings - Nov 05 2022

web angus suggests some more electrical requirements often overlooked by homeowners a hardwired smoke alarm system covering each floor of the property and a heat detector

new wiring regulations what you need to know - Mar 09 2023

web wiring diagrams use simplified symbols to represent switches lights outlets etc here is the wiring symbol legend which is a detailed documentation of common symbols that are used in wiring diagrams home wiring plans and electrical wiring blueprints