

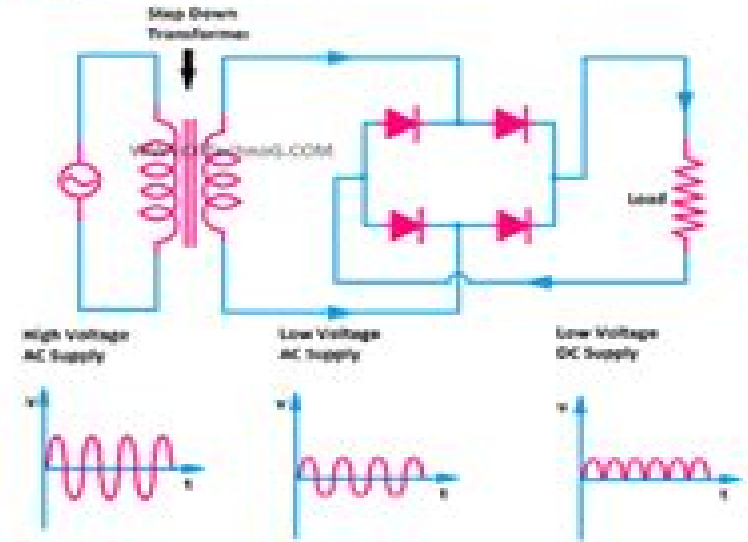
Important Electronic Circuits

Electronics



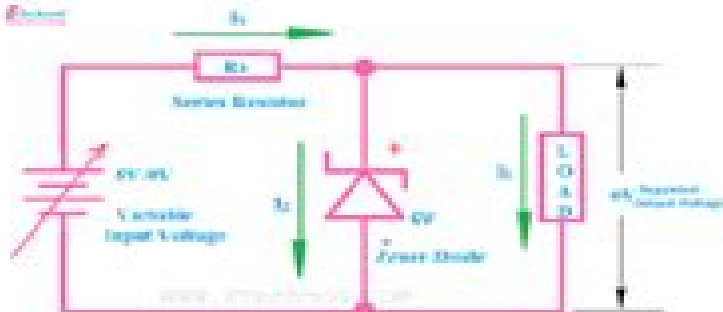
Important Electronic Circuit 1 : Half Wave Rectifier

Electronics



Important Electronic Circuit 2 : Full Wave Rectifier

Electronics



Important Electronic Circuit 3 : Voltage Regulator



Important Electronic Circuit 4 : Filter Circuit

Circuit Diagram Guide

Stanley Wolf



Circuit Diagram Guide:

PBS Beginners Guide to Reading Schematics 2/E Robert J. Traister, Anna L. Lisk, 1991-03 Discusses the symbols used in electronic schematic diagrams and explains how to interpret draw and use schematic diagrams *Complete Guide to Reading Schematic Diagrams* John Douglas-Young, 1988 [Complete Guide to Reading Schematic Diagrams](#) John Douglas-Young, 1979

IC Layout Basics : A Practical Guide Christopher Saint, Judy Saint, 2001-11-05 MASTER IC LAYOUT WITHOUT AN ENGINEERING BACKGROUND To new chip applications such as cell phones personal digital assistants and consumer electronics electronic semiconductor usage has exploded creating an unprecedented demand for technicians skilled in CMOS and bipolar design and layout In IC LAYOUT BASICS you get the same top notch material utilized in IBM s successful training courses This essential primer brings you up to speed on Integrated circuit processes Layout techniques Fundamental device concepts Wafer processes Writing for technicians without an engineering degree the authors present concepts from the ground up building on the simple until the complex becomes crystal clear Examples self tests and sidebars reinforce the material and make it all quick and painless For maximum retention each chapter includes preview points motivation boxes and executive summaries [United States Army Training Manual](#) United States. Adjutant-General's Office, 1925

[BASIC ELECTRIC CIRCUITS](#) Dr. T.S.N.G Sarada Devi, Dr. Sridhar Gaddam, Mr. Vadlamudi Naresh, Mr. Nimmakanti Anil, 2025-09-28 Basic Electric Circuits is designed as a foundational textbook for students educators and professionals seeking a clear and comprehensive understanding of electric circuit principles Electric circuits form the backbone of all modern electrical and electronic systems and a strong conceptual base in this area is essential for anyone pursuing studies in electrical engineering electronics instrumentation or related domains This book has been developed to serve as an accessible yet rigorous resource that bridges fundamental theory with practical application The content of this book is organized in a structured and progressive manner Beginning with basic electrical quantities and laws it gradually advances toward complex network theorems transient analysis AC circuits resonance polyphase systems and practical circuit design aspects Each chapter includes detailed explanations illustrative diagrams and solved examples aimed at enhancing clarity of understanding The problems provided at the end of each chapter encourage learners to apply the concepts develop analytical skills and gain confidence in problem solving This book emphasizes both conceptual clarity and real world relevance Wherever possible practical insights engineering interpretations and application oriented discussions have been included These features make the text equally useful for classroom teaching self study exam preparation and laboratory support The authors acknowledge the contributions of educators researchers and industry practitioners whose ideas methods and advancements have shaped the field of electric circuits over the decades Special appreciation is extended to students whose enthusiasm and curiosity continue to inspire the creation of effective learning materials It is our sincere hope that this book becomes a valuable learning companion and a reliable reference for all readers

We invite feedback and suggestions to continuously improve future editions

Training Manual United States. Army. Signal Corps,1923

Reading Schematics for Absolute Beginners Luke Wilder,2025-11-22 Turn confusing schematic diagrams into circuits you can actually build If circuit diagrams look like a maze of strange symbols you re exactly who this book was written for Reading Schematics for Absolute Beginners shows you how to interpret schematic diagrams and follow them like roadmaps then use them to wire up real world projects with confidence Step by step Luke Wilder walks you through the essentials circuit symbols electronic components resistor color codes block and pictorial diagrams voltage dividers simple and complex circuits and more You ll see how each symbol connects to a real part on a breadboard or PCB and how power signals and ground flow through a complete electronic system Inside you ll learn how to Read and understand schematic block and wiring diagrams Identify resistors capacitors diodes transistors ICs switches relays and logic gates at a glance Match symbols to element ratings and real components Translate a schematic into a clean breadboard or wiring layout Use diagrams for electronics troubleshooting instead of random guessing Build the foundation you need for digital electronics and functional circuits No engineering degree no prior experience just clear explanations and practical examples designed for true beginners If you re ready to stop copying circuits blindly and start reading schematics like a real electronics tech scroll up and get Reading Schematics for Absolute Beginners today

Hawkins Electrical Guide ...: Wiring and distribution systems, storage batteries Nehemiah Hawkins,1917

Training Manual United States. War Dept,1923

United States Army Training Manual U.S. Adjutant-general's office,1923

Hawkins Electrical Guide ... Nehemiah Hawkins,1917

Beginner's Guide to Reading Schematics, Third Edition Stan Gibilisco,2013-10-16 The major revision of this classic boasts completely new drawings and more than 50% brand new information making it the most up to date and best resource on reading AND designing schematics available

Understanding Schematic Diagrams Julian M. Sienkiewicz,1967

Technician's Guide to Microelectronics John Douglas-Young,1978

Automotive Electrical Handbook Inkwell Co. Inc.,1987-01-01 When it s time to wire your car whether it s a restoration project race car kit car trailer or street rod don t be intimidated wire it yourself Jim Horner shares his years of experience and cuts through the technical jargon to show you how Learn about basic electrical theory how various electrical components work and drawing circuit diagrams Includes tips on using electrical test equipment and troubleshooting electrical circuits Choose the right components build your own wiring harness and install them by following the step by step instructions Profusely illustrated with over 350 photos drawings and diagrams Suppliers list included

Complete Digital Design : A Comprehensive Guide to Digital Electronics and Computer System Architecture Mark Balch,2003-06-20 This is a readable hands on self tutorial through basic digital electronic design methods The format and content allows readers faced with a design problem to understand its unique requirements and then research and evaluate the components and technologies required to solve it Begins with basic design elements and expands into full systems Covers digital analog and full system designs Features real world implementation of complete digital

systems **Guide to Electronic Measurements and Laboratory Practice** Stanley Wolf,1973 Manual of instruction in
army signalling. [Continued as] Signalling instructions [afterw.] regulations. [Continued as] Training manual-signalling.
[With] Amendments. [Continued as] Signal training. [With] Amendments War office,1927 **The Guide to**
Kinematography for Camera Men, Operators, and All who Want to Know Colin Noel Bennett,1917

The Enigmatic Realm of **Circuit Diagram Guide**: Unleashing the Language is Inner Magic

In a fast-paced digital era where connections and knowledge intertwine, the enigmatic realm of language reveals its inherent magic. Its capacity to stir emotions, ignite contemplation, and catalyze profound transformations is nothing short of extraordinary. Within the captivating pages of **Circuit Diagram Guide** a literary masterpiece penned by a renowned author, readers set about a transformative journey, unlocking the secrets and untapped potential embedded within each word. In this evaluation, we shall explore the book's core themes, assess its distinct writing style, and delve into its lasting affect the hearts and minds of those who partake in its reading experience.

<https://py.bijouxmedusa.com/About/scholarship/HomePages/Land%20Rover%20Lander%20Td4%20Workshop%20Manual%20Madehlutions.pdf>

Table of Contents Circuit Diagram Guide

1. Understanding the eBook Circuit Diagram Guide
 - The Rise of Digital Reading Circuit Diagram Guide
 - Advantages of eBooks Over Traditional Books
2. Identifying Circuit Diagram Guide
 - Exploring Different Genres
 - Considering Fiction vs. Non-Fiction
 - Determining Your Reading Goals
3. Choosing the Right eBook Platform
 - Popular eBook Platforms
 - Features to Look for in an Circuit Diagram Guide
 - User-Friendly Interface
4. Exploring eBook Recommendations from Circuit Diagram Guide
 - Personalized Recommendations
 - Circuit Diagram Guide User Reviews and Ratings

- Circuit Diagram Guide and Bestseller Lists
- 5. Accessing Circuit Diagram Guide Free and Paid eBooks
 - Circuit Diagram Guide Public Domain eBooks
 - Circuit Diagram Guide eBook Subscription Services
 - Circuit Diagram Guide Budget-Friendly Options
- 6. Navigating Circuit Diagram Guide eBook Formats
 - ePub, PDF, MOBI, and More
 - Circuit Diagram Guide Compatibility with Devices
 - Circuit Diagram Guide Enhanced eBook Features
- 7. Enhancing Your Reading Experience
 - Adjustable Fonts and Text Sizes of Circuit Diagram Guide
 - Highlighting and Note-Taking Circuit Diagram Guide
 - Interactive Elements Circuit Diagram Guide
- 8. Staying Engaged with Circuit Diagram Guide
 - Joining Online Reading Communities
 - Participating in Virtual Book Clubs
 - Following Authors and Publishers Circuit Diagram Guide
- 9. Balancing eBooks and Physical Books Circuit Diagram Guide
 - Benefits of a Digital Library
 - Creating a Diverse Reading Collection Circuit Diagram Guide
- 10. Overcoming Reading Challenges
 - Dealing with Digital Eye Strain
 - Minimizing Distractions
 - Managing Screen Time
- 11. Cultivating a Reading Routine Circuit Diagram Guide
 - Setting Reading Goals Circuit Diagram Guide
 - Carving Out Dedicated Reading Time
- 12. Sourcing Reliable Information of Circuit Diagram Guide
 - Fact-Checking eBook Content of Circuit Diagram Guide
 - Distinguishing Credible Sources

13. Promoting Lifelong Learning
 - Utilizing eBooks for Skill Development
 - Exploring Educational eBooks
14. Embracing eBook Trends
 - Integration of Multimedia Elements
 - Interactive and Gamified eBooks

Circuit Diagram Guide Introduction

In today's digital age, the availability of Circuit Diagram Guide books and manuals for download has revolutionized the way we access information. Gone are the days of physically flipping through pages and carrying heavy textbooks or manuals. With just a few clicks, we can now access a wealth of knowledge from the comfort of our own homes or on the go. This article will explore the advantages of Circuit Diagram Guide books and manuals for download, along with some popular platforms that offer these resources. One of the significant advantages of Circuit Diagram Guide books and manuals for download is the cost-saving aspect. Traditional books and manuals can be costly, especially if you need to purchase several of them for educational or professional purposes. By accessing Circuit Diagram Guide versions, you eliminate the need to spend money on physical copies. This not only saves you money but also reduces the environmental impact associated with book production and transportation. Furthermore, Circuit Diagram Guide books and manuals for download are incredibly convenient. With just a computer or smartphone and an internet connection, you can access a vast library of resources on any subject imaginable. Whether you're a student looking for textbooks, a professional seeking industry-specific manuals, or someone interested in self-improvement, these digital resources provide an efficient and accessible means of acquiring knowledge. Moreover, PDF books and manuals offer a range of benefits compared to other digital formats. PDF files are designed to retain their formatting regardless of the device used to open them. This ensures that the content appears exactly as intended by the author, with no loss of formatting or missing graphics. Additionally, PDF files can be easily annotated, bookmarked, and searched for specific terms, making them highly practical for studying or referencing. When it comes to accessing Circuit Diagram Guide books and manuals, several platforms offer an extensive collection of resources. One such platform is Project Gutenberg, a nonprofit organization that provides over 60,000 free eBooks. These books are primarily in the public domain, meaning they can be freely distributed and downloaded. Project Gutenberg offers a wide range of classic literature, making it an excellent resource for literature enthusiasts. Another popular platform for Circuit Diagram Guide books and manuals is Open Library. Open Library is an initiative of the Internet Archive, a non-profit organization dedicated to digitizing cultural artifacts and making them accessible to the public. Open Library hosts millions of books, including both

public domain works and contemporary titles. It also allows users to borrow digital copies of certain books for a limited period, similar to a library lending system. Additionally, many universities and educational institutions have their own digital libraries that provide free access to PDF books and manuals. These libraries often offer academic texts, research papers, and technical manuals, making them invaluable resources for students and researchers. Some notable examples include MIT OpenCourseWare, which offers free access to course materials from the Massachusetts Institute of Technology, and the Digital Public Library of America, which provides a vast collection of digitized books and historical documents. In conclusion, Circuit Diagram Guide books and manuals for download have transformed the way we access information. They provide a cost-effective and convenient means of acquiring knowledge, offering the ability to access a vast library of resources at our fingertips. With platforms like Project Gutenberg, Open Library, and various digital libraries offered by educational institutions, we have access to an ever-expanding collection of books and manuals. Whether for educational, professional, or personal purposes, these digital resources serve as valuable tools for continuous learning and self-improvement. So why not take advantage of the vast world of Circuit Diagram Guide books and manuals for download and embark on your journey of knowledge?

FAQs About Circuit Diagram Guide Books

1. Where can I buy Circuit Diagram Guide books? Bookstores: Physical bookstores like Barnes & Noble, Waterstones, and independent local stores. Online Retailers: Amazon, Book Depository, and various online bookstores offer a wide range of books in physical and digital formats.
2. What are the different book formats available? Hardcover: Sturdy and durable, usually more expensive. Paperback: Cheaper, lighter, and more portable than hardcovers. E-books: Digital books available for e-readers like Kindle or software like Apple Books, Kindle, and Google Play Books.
3. How do I choose a Circuit Diagram Guide book to read? Genres: Consider the genre you enjoy (fiction, non-fiction, mystery, sci-fi, etc.). Recommendations: Ask friends, join book clubs, or explore online reviews and recommendations. Author: If you like a particular author, you might enjoy more of their work.
4. How do I take care of Circuit Diagram Guide books? Storage: Keep them away from direct sunlight and in a dry environment. Handling: Avoid folding pages, use bookmarks, and handle them with clean hands. Cleaning: Gently dust the covers and pages occasionally.
5. Can I borrow books without buying them? Public Libraries: Local libraries offer a wide range of books for borrowing.

- Book Swaps: Community book exchanges or online platforms where people exchange books.
6. How can I track my reading progress or manage my book collection? Book Tracking Apps: Goodreads, LibraryThing, and Book Catalogue are popular apps for tracking your reading progress and managing book collections. Spreadsheets: You can create your own spreadsheet to track books read, ratings, and other details.
 7. What are Circuit Diagram Guide audiobooks, and where can I find them? Audiobooks: Audio recordings of books, perfect for listening while commuting or multitasking. Platforms: Audible, LibriVox, and Google Play Books offer a wide selection of audiobooks.
 8. How do I support authors or the book industry? Buy Books: Purchase books from authors or independent bookstores. Reviews: Leave reviews on platforms like Goodreads or Amazon. Promotion: Share your favorite books on social media or recommend them to friends.
 9. Are there book clubs or reading communities I can join? Local Clubs: Check for local book clubs in libraries or community centers. Online Communities: Platforms like Goodreads have virtual book clubs and discussion groups.
 10. Can I read Circuit Diagram Guide books for free? Public Domain Books: Many classic books are available for free as they're in the public domain. Free E-books: Some websites offer free e-books legally, like Project Gutenberg or Open Library.

Find Circuit Diagram Guide :

land rover lander td4 workshop manual madehlutions

[key element itil service strategy key element suite](#)

[junior maths challenge past papers epub](#)

la comunicazione non verbale del nostro corpo

kinematic analysis for robot arm ho geld n z

[kaplan medical usmle step 1 qbook kaplan usmle](#)

[kring abnormal psychology 11th edition](#)

knowledge representation reasoning and the design of intelligent agents the answer set programming approach lahochi

[katalon studio tutorial a test automation tool you](#)

l b cebik w4rml ac6la

kensuke s kingdom writing a ships log by beagle mad

knuckle joint engineering drawing

[la teta feliz historias no me olvides sombra234 7](#)

12 learners anxiety self confidence and oral performance

Circuit Diagram Guide :

[verborgene schätze buch kalender 2020 by paulo coelho](#) - Jun 01 2022

web tajne iz dana u dan kroz 2020 luksuzno je izdanje rokovnika s citatima iz djela paula coelha i prekrasnim ilustracijama kolumbijske umjetnice cataline estrade

verborgene schätze buch kalender 2020 lesejury - Sep 04 2022

web sep 4 2019 verborgene schätze buch kalender 2020 maralde meyer minnemann Übersetzer sich selbst sein einmalig sein egal was andere sagen das ist das thema von paulo coelhos neuem inspirierendem begleiter durch den alltag

verborgene schätze buch kalender 2020 bücher de - Apr 11 2023

web verborgene schätze buch kalender 2020 Übersetzung meyer minnemann maralde gebundenes buch 1 kundenbewertung sich selbst sein einmalig sein egal was andere sagen das ist das thema von paulo coelhos neuem inspirierendem begleiter durch den alltag seine bücher zu lesen ist wie bei sonnenaufgang aufstehen wenn alle anderen

[verborgene schätze buch kalender 2020 amazon de](#) - Feb 09 2023

web jul 4 2019 verborgene schätze buch kalender 2020 coelho paulo meyer minnemann maralde amazon de books

verborgene schätze buch kalender 2020 coelho paulo - Jul 14 2023

web verborgene schätze buch kalender 2020 coelho paulo meyer minnemann maralde amazon se books

[verborgene schätze buch kalender 2020 von paulo coelho](#) - Dec 27 2021

web verborgene schätze buch kalender 2020 von paulo coelho Über 1 5 mio bücher im faltershop bestellen versandkostenfrei ab 35

verborgene schätze buch kalender 2020 coelho paulo - Nov 06 2022

web verborgene schätze buch kalender 2020 finden sie alle bücher von coelho paulo bei der büchersuchmaschine eurobuch com können sie antiquarische und neubücher vergleichen und sofort zum bestpreis bestellen 9783257510782

[verborgene schätze buch kalender 2020 hardcover](#) - Mar 10 2023

web buy verborgene schätze buch kalender 2020 by isbn 9783257510782 from amazon s book store everyday low prices and free delivery on eligible orders

verborgene schätze buch kalender 2020 weltbild - Oct 05 2022

web bücher bei weltbild jetzt verborgene schätze buch kalender 2020 von paulo coelho bestellen und per rechnung bezahlen

bei weltbild ihrem bücher spezialisten

verborgene schätze buch kalender 2020 weltbild - Apr 30 2022

web bücher online shop verborgene schätze buch kalender 2020 von paulo coelho hier bei weltbild bestellen und von der gratis lieferung profitieren jetzt kaufen versandkostenfrei

verborgene schätze buch kalender 2020 was liest du - Dec 07 2022

web paulo coelho verborgene schätze buch kalender 2020 diogenes 2019 isbn 978 3 257 51078 2 zum wiederholten mal gibt der diogenes verlag einen buchkalender seines wohl verkaufstärksten autors paulo coelho heraus

verborgene schätze buch kalender 2020 coelho paulo - Feb 26 2022

web verborgene schätze buch kalender 2020 coelho paulo buch buchzentrum der starke partner für handel und verlage umfassendes sortiment mit büchern spielen kalendern geschenken und mehr

verborgene schätze buch kalender 2020 amazon in - May 12 2023

web verborgene schätze buch kalender 2020 amazon in skip to main content in hello select your address office products select the department you want to search in search amazon in en hello sign in

verborgene schätze buch kalender 2020 amazon nl - Jun 13 2023

web verborgene schätze buch kalender 2020 coelho paulo meyer minnemann maralde amazon nl boeken

verborgene schätze buch kalender 2020 gebundene ausgabe amazon de - Aug 15 2023

web verborgene schätze buch kalender 2020 coelho paulo meyer minnemann maralde isbn 9783257510782 kostenloser versand für alle bücher mit versand und verkauf duch amazon

verborgene schätze buch kalender 2020 - Jan 28 2022

web jan 25 2020 nur gesagt das verborgene schätze buch kalender 2020 ist universell kompatibel unter auf die gleiche art und weise wie zu lesende geräte tags bücher ebook epub pdf

verborgene schätze buch kalender 2020 - Mar 30 2022

web sich selbst sein einmalig sein egal was andere sagen das ist das thema von paulo coelhos neuem inspirierendem begleiters durch den alltag seine bücher zu lesen ist wie bei sonnenaufgang aufstehen wenn alle anderen noch schlafen

verborgene schätze buch kalender 2020 - Jul 02 2022

web verborgene schätze buch kalender 2020 schlesische sagen zauber wunder und schatz sagen sep 04 2020 stöbern im schatz meiner erinnerungen oct 06 2020 es beginnt mit einer kindheit im krieg da ist die freude auf weihnachten die angst vor bomben und die trauer darüber während der kinderlandverschickung von den eltern

verborgene schätze buch kalender 2020 lovelybooks - Jan 08 2023

web jul 24 2019 sich selbst sein einmalig sein egal was andere sagen das ist das thema von paulo coelhos neuem

inspirierendem begleiter durch den alltag seine

amazon de kundenrezensionen verborgene schätze buch kalender 2020 - Aug 03 2022

web finde hilfreiche kundenrezensionen und rezensionsbewertungen für verborgene schätze buch kalender 2020 auf amazon de lese ehrliche und unvoreingenommene rezensionen von unseren nutzern

shelter in place english edition kindle     - Mar 10 2023

web may 29 2018 from nora roberts comes the 1 new york times bestseller shelter in place june 2018 a powerful tale of heart heroism and propulsive suspense it was a typical evening at a mall outside portland maine

shelter in place english edition format kindle amazon fr - Oct 05 2022

web achetez et téléchargez ebook shelter in place english edition boutique kindle genre fiction amazon fr

shelter in place english edition ebook kindle amazon com br - Jun 13 2023

web from nora roberts comes the 1 new york times bestseller shelter in place june 2018 a powerful tale of heart heroism and propulsive suspense it was a typical evening at a mall outside portland maine three teenage friends waited for the movie to start

shelter in place kindle edition by roberts nora romance - May 12 2023

web may 29 2018 from nora roberts comes the 1 new york times bestseller shelter in place june 2018 a powerful tale of heart heroism and propulsive suspense it was a typical evening at a mall outside portland maine

shelter in place rotten tomatoes - Jun 01 2022

web original language english director connor martin christopher beyrooty

shelter in place english edition versión kindle amazon es - Apr 11 2023

web stephen king when the shots rang out in the shopping mall simone knox knew what to do shelter in place that s what they taught you to do in the event of a mass shooting so on that terrible hot summer day in 2005 simone was lucky she escaped death but she would never be the same again

shelter in place english edition kindle ausgabe amazon de - Jul 14 2023

web stephen king when the shots rang out in the shopping mall simone knox knew what to do shelter in place that s what they taught you to do in the event of a mass shooting so on that terrible hot summer day in 2005 simone was lucky she escaped death but she would never be the same again

shelter in place a novel english edition kindle ausgabe amazon de - Feb 09 2023

web shelter in place a novel english edition ebook maksik alexander amazon de kindle shop

shelter in place english edition format kindle amazon fr - Jul 02 2022

web achetez et téléchargez ebook shelter in place english edition boutique kindle suspense amazon fr

shelter in place wikipedia - Apr 30 2022

web shelter in place sip also known as a shelter in place warning same code spw is the act of seeking safety within the building one already occupies rather than evacuating the area or seeking a community emergency shelter

shelter in place a novel kindle edition amazon com - Aug 03 2022

web sep 13 2016 shelter in place a novel kindle edition by maksik alexander download it once and read it on your kindle device pc phones or tablets use features like bookmarks note taking and highlighting while reading shelter in place a novel *tureng shelter türkçe İngilizce sözlük* - Dec 27 2021

web İngilizce türkçe online sözlük tureng kelime ve terimleri çevir ve farklı aksanlarda sesli dinleme shelter barınak take shelter barınmak shelter sığınak women s shelter ne demek

shelter in place kindle edition by leavitt david literature - Jan 28 2022

web oct 13 2020 shelter in place kindle edition by leavitt david download it once and read it on your kindle device pc phones or tablets use features like bookmarks note taking and highlighting while reading shelter in place

editions of shelter in place by nora roberts goodreads - Aug 15 2023

web may 29 2018 editions for shelter in place 1250161592 hardcover published in 2018 kindle edition published in 2018 kindle edition published in 2018 03494178

shelter in place english edition kindle ausgabe amazon de - Jan 08 2023

web shelter in place english edition ebook leavitt david amazon de kindle shop

shelter in place english edition kindle ausgabe amazon de - Nov 06 2022

web shelter in place english edition ebook roberts nora amazon de kindle shop

shelter in place english edition kindle ausgabe amazon de - Dec 07 2022

web shelter in place english edition ebook leavitt david amazon de kindle shop

shelter in place 2021 imdb - Sep 04 2022

web jul 22 2022 shelter in place directed by chris beyrooty connor martin with kevin daniels brendan hines ola kaminska tatjana marjanovic when a global pandemic limits travel a honeymooning couple finds themselves stranded at the hollywood roosevelt hotel

what is shelter in place a comprehensive guide agility - Feb 26 2022

web aug 10 2020 a call to shelter in place happens when a severe emergency takes place to shelter in place means find shelter in the building you re in you re not meant to find another place to shelter as leaving the building is considered

dangerous emergencies that may call for a shelter in place initiative include weather alerts pandemics

tureng shelter in place türkçe İngilizce sözlük - Mar 30 2022

web genel shelter in place i yerinde sığınak 2 genel shelter in place i yaşanan mekanda temel önlemler alarak dışarıdan gelen tehditlere karşı oluşturulan güvenli bir alan

the career counselor s handbook parachute library paperback - Sep 26 2022

web the career counselor s handbook parachute library on amazon com au free shipping on eligible orders the career counselor s handbook parachute library

the career counselor s handbook parachute library - Jun 23 2022

web the career counselor s handbook parachute library the internet may 11 2020 this publication for career counselors is an easy to use practical guide to identifying useful websites incorporating them into career planning services and gaining awareness of ethical concerns

the career counselor s handbook the parachute library figler - Jul 25 2022

web the career counselor s handbook the parachute library figler howard bolles richard n amazon es libros

the career counselor s handbook the parachute library - Jul 05 2023

web buy the career counselor s handbook the parachute library by figler howard bolles richard n isbn 9781580081573 from amazon s book store everyday low prices and free delivery on eligible orders

the career counselor s handbook the parachute library - May 23 2022

web the career counselor s handbook the parachute library bybolles richard nelson 2000 02 29

the career counselor s handbook parachute library - May 03 2023

web in this revised and updated second edition of their classic guide for career counselors figler and bolles show aspiring counselors how to break into the business and give experienced counselors ideas for improving effectiveness and recharging their practice

the career counselor s handbook parachute library - Sep 07 2023

web mar 1 2004 the career counselor s handbook parachute library paperback march 1 2004 by richard n bolles author howard e figler author 4 1 4 1 out of 5 stars 85 ratings

the career counselor s handbook parachute library taschenbuch amazon de - Aug 26 2022

web the career counselor s handbook parachute library bolles richard n figler howard e isbn 9781580081573 kostenloser versand für alle bücher mit versand und verkauf duch amazon

amazon in customer reviews the career counselor 39 s handbook - Nov 28 2022

web find helpful customer reviews and review ratings for the career counselor s handbook the parachute library at amazon com read honest and unbiased product reviews from our users

the career counselor s handbook the parachute library - Jun 04 2023

web amazon in buy the career counselor s handbook the parachute library book online at best prices in india on amazon in read the career counselor s handbook the parachute library book reviews author details and more at amazon in free delivery on qualified orders

the career counselor s handbook parachute library paperback amazon de - Mar 01 2023

web the career counselor s handbook parachute library bolles richard n figler howard e amazon de books

amazon com au customer reviews the career counselor 39 s handbook - Oct 28 2022

web find helpful customer reviews and review ratings for the career counselor s handbook parachute library at amazon com read honest and unbiased product reviews from our users

the career counselor s handbook parachute library paperback - Apr 02 2023

web buy the career counselor s handbook parachute library by isbn from amazon s book store everyday low prices and free delivery on eligible orders the career counselor s handbook parachute library amazon co uk books

career counselling a handbook gideon arulmani google books - Mar 21 2022

web rent and save from the world s largest ebookstore highlight and take notes across web tablet and phone go to google play now career counselling a handbook gideon arulmani mcgraw hill education india pvt limited 2004 counseling 365 pages bibliographic information title career counselling a handbook author gideon

the career counselor s handbook parachute library - Oct 08 2023

web the career counselor s handbook parachute library bolles richard n figler howard e amazon com tr kitap

the career counselor s handbook parachute library - Aug 06 2023

web comprehensive book from probably the most famous career authors in existence quite complete dealing with everthing from the goals of career counseling to the future of the industry the chapter on history is very detailed and interesting following job hunt theory from the early 1900 s until now advice is providing on setting up a

career counselling books goodreads - Apr 21 2022

web avg rating 3 73 15 ratings published 1993 want to read rate this book 1 of 5 stars 2 of 5 stars 3 of 5 stars 4 of 5 stars 5 of 5 stars mindset the new psychology of success hardcover by carol s dweck shelved 1 time as career counselling avg rating 4 09 142 600 ratings published 2006

the career counselor s handbook parachute library paperback - Jan 31 2023

web the career counselor s handbook parachute library books amazon ca skip to main content ca hello select your address books select the department you want to search in search amazon ca en hello sign in account lists

career counseling books goodreads - Feb 17 2022

web bill burnett shelved 2 times as career counseling avg rating 3 91 19 626 ratings published 2016 want to read rate this

book 1 of 5 stars 2 of 5 stars 3 of 5 stars 4 of 5 stars 5 of 5 stars never eat alone and other secrets to success one relationship at a time hardcover by keith ferrazzi

[amazon.com customer reviews the career counselor's handbook](#) - Dec 30 2022

web find helpful customer reviews and review ratings for the career counselor's handbook parachute library at amazon.com read honest and unbiased product reviews from our users