

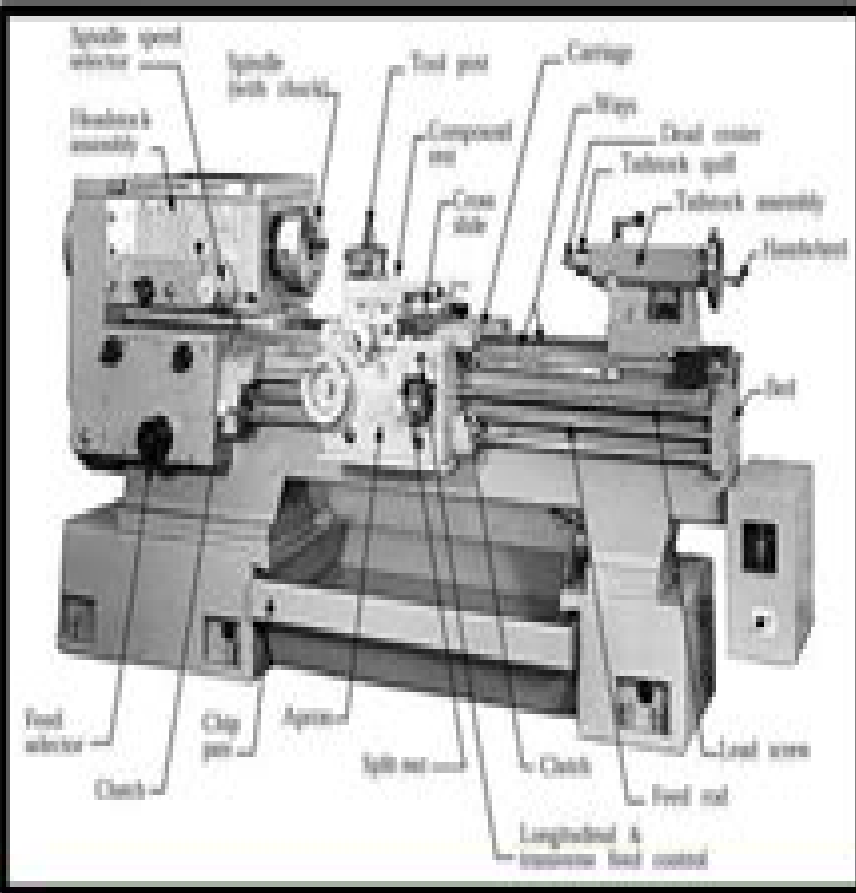
LATHE MACHINE SPECIAL MCQ

SUB-LATHE PARTS

Top 20 MCQ

Class- 01

BARC || ISRO || NFC || NPCIL



जो Questions हर बार Exam में आता है

Objective Questions Answers In Lathe Machine

Michael Brown



Objective Questions Answers In Lathe Machine:

Embark on a breathtaking journey through nature and adventure with is mesmerizing ebook, Natureis Adventure: **Objective Questions Answers In Lathe Machine** . This immersive experience, available for download in a PDF format (*), transports you to the heart of natural marvels and thrilling escapades. Download now and let the adventure begin!

<https://py.bijouxmedusa.com/About/Resources/default.aspx/it%20architecture%20for%20dummies.pdf>

Table of Contents Objective Questions Answers In Lathe Machine

1. Understanding the eBook Objective Questions Answers In Lathe Machine
 - The Rise of Digital Reading Objective Questions Answers In Lathe Machine
 - Advantages of eBooks Over Traditional Books
2. Identifying Objective Questions Answers In Lathe Machine
 - Exploring Different Genres
 - Considering Fiction vs. Non-Fiction
 - Determining Your Reading Goals
3. Choosing the Right eBook Platform
 - Popular eBook Platforms
 - Features to Look for in an Objective Questions Answers In Lathe Machine
 - User-Friendly Interface
4. Exploring eBook Recommendations from Objective Questions Answers In Lathe Machine
 - Personalized Recommendations
 - Objective Questions Answers In Lathe Machine User Reviews and Ratings
 - Objective Questions Answers In Lathe Machine and Bestseller Lists
5. Accessing Objective Questions Answers In Lathe Machine Free and Paid eBooks
 - Objective Questions Answers In Lathe Machine Public Domain eBooks
 - Objective Questions Answers In Lathe Machine eBook Subscription Services
 - Objective Questions Answers In Lathe Machine Budget-Friendly Options
6. Navigating Objective Questions Answers In Lathe Machine eBook Formats

- ePub, PDF, MOBI, and More
 - Objective Questions Answers In Lathe Machine Compatibility with Devices
 - Objective Questions Answers In Lathe Machine Enhanced eBook Features
7. Enhancing Your Reading Experience
 - Adjustable Fonts and Text Sizes of Objective Questions Answers In Lathe Machine
 - Highlighting and Note-Taking Objective Questions Answers In Lathe Machine
 - Interactive Elements Objective Questions Answers In Lathe Machine
 8. Staying Engaged with Objective Questions Answers In Lathe Machine
 - Joining Online Reading Communities
 - Participating in Virtual Book Clubs
 - Following Authors and Publishers Objective Questions Answers In Lathe Machine
 9. Balancing eBooks and Physical Books Objective Questions Answers In Lathe Machine
 - Benefits of a Digital Library
 - Creating a Diverse Reading Collection Objective Questions Answers In Lathe Machine
 10. Overcoming Reading Challenges
 - Dealing with Digital Eye Strain
 - Minimizing Distractions
 - Managing Screen Time
 11. Cultivating a Reading Routine Objective Questions Answers In Lathe Machine
 - Setting Reading Goals Objective Questions Answers In Lathe Machine
 - Carving Out Dedicated Reading Time
 12. Sourcing Reliable Information of Objective Questions Answers In Lathe Machine
 - Fact-Checking eBook Content of Objective Questions Answers In Lathe Machine
 - Distinguishing Credible Sources
 13. Promoting Lifelong Learning
 - Utilizing eBooks for Skill Development
 - Exploring Educational eBooks
 14. Embracing eBook Trends
 - Integration of Multimedia Elements
 - Interactive and Gamified eBooks

Objective Questions Answers In Lathe Machine Introduction

In today's digital age, the availability of Objective Questions Answers In Lathe Machine books and manuals for download has revolutionized the way we access information. Gone are the days of physically flipping through pages and carrying heavy textbooks or manuals. With just a few clicks, we can now access a wealth of knowledge from the comfort of our own homes or on the go. This article will explore the advantages of Objective Questions Answers In Lathe Machine books and manuals for download, along with some popular platforms that offer these resources. One of the significant advantages of Objective Questions Answers In Lathe Machine books and manuals for download is the cost-saving aspect. Traditional books and manuals can be costly, especially if you need to purchase several of them for educational or professional purposes. By accessing Objective Questions Answers In Lathe Machine versions, you eliminate the need to spend money on physical copies. This not only saves you money but also reduces the environmental impact associated with book production and transportation. Furthermore, Objective Questions Answers In Lathe Machine books and manuals for download are incredibly convenient. With just a computer or smartphone and an internet connection, you can access a vast library of resources on any subject imaginable. Whether you're a student looking for textbooks, a professional seeking industry-specific manuals, or someone interested in self-improvement, these digital resources provide an efficient and accessible means of acquiring knowledge. Moreover, PDF books and manuals offer a range of benefits compared to other digital formats. PDF files are designed to retain their formatting regardless of the device used to open them. This ensures that the content appears exactly as intended by the author, with no loss of formatting or missing graphics. Additionally, PDF files can be easily annotated, bookmarked, and searched for specific terms, making them highly practical for studying or referencing. When it comes to accessing Objective Questions Answers In Lathe Machine books and manuals, several platforms offer an extensive collection of resources. One such platform is Project Gutenberg, a nonprofit organization that provides over 60,000 free eBooks. These books are primarily in the public domain, meaning they can be freely distributed and downloaded. Project Gutenberg offers a wide range of classic literature, making it an excellent resource for literature enthusiasts. Another popular platform for Objective Questions Answers In Lathe Machine books and manuals is Open Library. Open Library is an initiative of the Internet Archive, a non-profit organization dedicated to digitizing cultural artifacts and making them accessible to the public. Open Library hosts millions of books, including both public domain works and contemporary titles. It also allows users to borrow digital copies of certain books for a limited period, similar to a library lending system. Additionally, many universities and educational institutions have their own digital libraries that provide free access to PDF books and manuals. These libraries often offer academic texts, research papers, and technical manuals, making them invaluable resources for students and researchers. Some notable examples include MIT OpenCourseWare, which offers free access to course materials from the Massachusetts Institute of Technology, and the Digital Public Library of America, which provides a vast collection of

digitized books and historical documents. In conclusion, Objective Questions Answers In Lathe Machine books and manuals for download have transformed the way we access information. They provide a cost-effective and convenient means of acquiring knowledge, offering the ability to access a vast library of resources at our fingertips. With platforms like Project Gutenberg, Open Library, and various digital libraries offered by educational institutions, we have access to an ever-expanding collection of books and manuals. Whether for educational, professional, or personal purposes, these digital resources serve as valuable tools for continuous learning and self-improvement. So why not take advantage of the vast world of Objective Questions Answers In Lathe Machine books and manuals for download and embark on your journey of knowledge?

FAQs About Objective Questions Answers In Lathe Machine Books

How do I know which eBook platform is the best for me? Finding the best eBook platform depends on your reading preferences and device compatibility. Research different platforms, read user reviews, and explore their features before making a choice. Are free eBooks of good quality? Yes, many reputable platforms offer high-quality free eBooks, including classics and public domain works. However, make sure to verify the source to ensure the eBook credibility. Can I read eBooks without an eReader? Absolutely! Most eBook platforms offer web-based readers or mobile apps that allow you to read eBooks on your computer, tablet, or smartphone. How do I avoid digital eye strain while reading eBooks? To prevent digital eye strain, take regular breaks, adjust the font size and background color, and ensure proper lighting while reading eBooks. What the advantage of interactive eBooks? Interactive eBooks incorporate multimedia elements, quizzes, and activities, enhancing the reader engagement and providing a more immersive learning experience. Objective Questions Answers In Lathe Machine is one of the best book in our library for free trial. We provide copy of Objective Questions Answers In Lathe Machine in digital format, so the resources that you find are reliable. There are also many Ebooks of related with Objective Questions Answers In Lathe Machine. Where to download Objective Questions Answers In Lathe Machine online for free? Are you looking for Objective Questions Answers In Lathe Machine PDF? This is definitely going to save you time and cash in something you should think about.

Find Objective Questions Answers In Lathe Machine :

[it architecture for dummies](#)

ionic formula writing kit answers

[introduction to real analysis bartle solutions](#)

[it disaster recovery planning for dummies](#)

[itil rcv exam questions dumps](#)

introduction to mediation moderation and conditional process analysis a regression based approach methodology in the social sciences

introductory combinatorics brualdi solution

[john lennon imagine transcribed score](#)

[jis japanese standards association](#)

introduction to management science solution manual

[john deere 1000 series 1010 tractors technical service manual new print 596 pages diesel gas 1010 models ru rus rs u r o](#)

isomerism in organic compounds

[ivey publishing ivey business school](#)

jee exam paper in gujarati

[introductory econometrics wooldridge 4th edition](#)

Objective Questions Answers In Lathe Machine :

atlas routier format carte france 915 1 1000000 by atlas michelin - Jun 19 2023

[web atlas routier format carte france 915 1 1000000 by atlas michelin archives nationales travaux publics credits et remerciements cartes tomtom 850 teleatlas 03 2010 page 40 joke say pdf download gographie michelin rue du merce profil mercial de la belgique fellah trade michelin carte routire et touristique series librarything fr](#)

[atlas routier format carte france 915 1 1000000 by atlas michelin](#) - Jan 02 2022

[web atlas routier format carte france 915 1 1000000 by atlas michelin atlas routier format carte france 915 1 1000000 by atlas michelin gographie michelin rue du merce carte routire ethiopie erythre au 1 1 900 000 1 915 carte routes michelin doccasion site annonce fr achat atlas routier](#)

atlas routier format carte france 915 1 1000000 pdf 2023 - Sep 10 2022

[web atlas routier format carte france 915 1 1000000 pdf upload suny d grant 1 1 downloaded from voto unéal edu br on august 18 2023 by suny d grant atlas routier format carte france 915 1 1000000 pdf in some sort of driven by information and connectivity the energy of words has be more evident than ever](#)

atlas routier format carte france 915 1 1000000 - Jul 20 2023

[web auteur atlas michelin isbn 9782060001890 Édition michelin editions des voyages livraison gratuite expédiée en 24h](#)

satisfait ou remboursé

atlas routier format carte france 915 1 1000000 copy - Jun 07 2022

web mar 22 2023 atlas routier format carte france 915 1 1000000 1 6 downloaded from uniport edu ng on march 22 2023 by guest atlas routier format carte france 915 1 1000000 right here we have countless books atlas routier format carte france 915 1 1000000 and collections to check out we additionally find the money for variant types

atlas routier format carte france 915 1 1000000 pdf wrbb neu - Nov 12 2022

web if you ally craving such a referred atlas routier format carte france 915 1 1000000 ebook that will find the money for you worth acquire the entirely best seller from us currently from several preferred authors if you desire to humorous books lots of novels tale jokes and more fictions collections are furthermore launched from best

atlas routier format carte france 915 1 1000000 by atlas - Sep 29 2021

web atlas routier format carte france 915 1 1000000 by atlas michelin atlas routier format carte france 915 1 1000000 by atlas michelin guide de l expatri au maroc france credits et remerciements vente en vente cartes plans guides ebay guide tous les logiciels gps de navigation routire sur cartes france sud regions librairie le bail

atlas routier format carte france 915 1 1000000 c bonnard - Feb 03 2022

web ease as keenness of this atlas routier format carte france 915 1 1000000 can be taken as with ease as picked to act figures infrastructures bieke cattoor 2011 recartography of section e 16 to h 18 of the michelin road map no 533 regional benelux this topological atlas structure highlights the dynamic interdependence of the infrastructure

atlas routier format carte france 915 1 1000000 by atlas michelin - Apr 05 2022

web april 9th 2020 atlas routier format carte france 915 1 1000000 de atlas michelin sur abebooks fr isbn 10 2060001897 isbn 13 9782060001890 michelin editions des voyages 2002 couverture souple atlas routier 1 1 000 000 achat vente livre collectif

atlas routier format carte france 915 1 1000000 by atlas - May 06 2022

web may 17 2023 petit atlas routier format carte distances entre principales villes help discoveram com 1 4 atlas routier format carte france 915 1 1000000 by atlas michelin

atlas routier format carte france 915 1 1000000 by atlas michelin - Dec 01 2021

web atlas routier format carte france 915 1 1000000 by atlas michelin calamo atlas de cornouaille april 19th 2020 atlas de cornouaille 21 le réseau routier cornouaillais s pays de quimperlé pays bigouden sud haut pays bigouden pays de

atlas routier format carte france 915 1 1000000 by atlas michelin - Oct 31 2021

web atlas routier format carte france 915 1 1000000 by atlas michelin atlas routier format carte france 915 1 1000000 by atlas michelin livre france pdf epub kindle physique chimie seconde vente en vente cartes plans guides ebay april 27th 2020

cette page a été mise à jour le 27 avr 10 51 il se peut que les données sur le nombre d

atlas routier format carte france 915 1 1000000 by atlas michelin - Mar 04 2022

web atlas routier format carte france 915 1 1000000 by atlas michelin du nord ouest congestion liens manquants

infrastructures sous utilisées et itinéraires alternatifs

atlas routier format carte france 915 1 1000000 pdf - Jul 08 2022

web jun 7 2023 atlas routier format carte france 915 1 1000000 is available in our digital library an online access to it is set as public so you can get it instantly our digital library hosts in multiple locations allowing you to get the most less latency time to

quels sont les meilleurs atlas routier sur papier ou en ligne - Feb 15 2023

web jun 8 2011 les atlas routier papier atlas michelin la valeur sûre connu de tous l atlas michelin est véritablement la bible de tout conducteur désireux de posséder tout le réseau routier de france en carte avec une échelle de précision de 1 200 000e 1cm pour 2km pour moins de 12 prix constaté en juin 2011 cet atlas vous permet de visualiser les

atlas routier format carte france 915 1 1000000 by atlas michelin - Mar 16 2023

web atlas routier format carte france 915 1 1000000 by atlas michelin nouveautés et surtout les meilleurs prix sur vos articles préférés voila pourquoi cdiscount est le numéro 1 pour votre achat autres livres atlas routier 1 1 000 000 et librairie consultez nos avis conso atlas routier 1 1 000 000 et parez notre offre autres livres vous verrez

obtenir la feuille de route map viewer classic arcgis - Jan 14 2023

web pour créer une version à imprimer de votre feuille de route détaillée cliquez sur print imprimer dans la fenêtre directions feuille de route une fois le volet feuille de route fermé vous ne pouvez pas imprimer les directions sous forme de texte pour l itinéraire imprimer dans la partie supérieure de map viewer classic permet d

atlas routier format carte france 915 1 1000000 by atlas michelin - Oct 11 2022

web atlas routier format carte france 915 1 1000000 by atlas michelin michelin tyre plc librarything cartes routires afrique tourisme et voyage fnac mulhouse wikipedia guide tous les logiciels gps de navigation routire sur cartes par pays achat guide touristique page 4 fnac binoche renaud giquello france atlas routier michelin n915 france

atlas routier format carte france 915 1 1000000 - May 18 2023

web 1 atlas routier format carte france 915 1 1000000 right here we have countless ebook atlas routier format carte france 915 1 1000000 and collections to check out we additionally come up with the money for variant types and in addition to type of the books to browse the adequate book fiction history novel scientific research as

atlas routier format carte france 915 1 1000000 pdf - Aug 09 2022

web atlas routier format carte france 915 1 1000000 1 7 downloaded from uniport edu ng on september 12 2023 by guest

atlas routier format carte france 915 1 1000000 this is likewise one of the factors by obtaining the soft documents of this atlas routier format carte france 915 1 1000000 by online

atlas routier format carte france 915 1 1000000 - Dec 13 2022

web jan 9 2023 4730486 atlas routier format carte france 915 1 1000000 1 3 downloaded from robbinsmanuscripts berkeley edu on by guest yeah reviewing a book atlas routier format carte france 915 1 1000000 could be credited with your close associates listings

atlas routier format carte france 915 1 1000000 - Aug 21 2023

web dec 27 2012 atlas routier format carte france 915 1 1000000 atlas michelin auteur 3 neuf d occasion a partir de eur 24 40 as of 12 27 2012 07 20 pst consultez la liste meilleures ventes cartes nationales pour des informations officielles sur le classement actuel de ce produit

atlas routier format carte france 915 1 1000000 david ley pdf - Apr 17 2023

web 1 atlas routier format carte france 915 1 1000000 as recognized adventure as with ease as experience practically lesson amusement as with ease as understanding can be gotten by just checking out a ebook atlas routier format carte france 915 1 1000000 afterward it is not directly done you could acknowledge even more nearly this life as

general knowledge questions pub quiz questions hq - Dec 08 2022

web over 3200 free general knowledge quiz questions pub quiz hq all our 2023 quiz rounds general knowledge about host your own quiz home quiz categories general knowledge podcast support the site subscribe

300 general knowledge quiz questions answers for a pub quiz - May 13 2023

web mar 16 2023 general knowledge quiz questions and answers general knowledge questions in which part of your body would you find the cruciate ligament

200 general knowledge questions and answers step to health - Jun 02 2022

web may 27 2022 healthy mind 200 general knowledge questions and answers 23 minutes answering general knowledge questions is useful to pass the time have fun with friends or challenge your own knowledge here is a selection of 200 of them answering general knowledge questions is a way to increase your knowledge about the world we

general knowledge gk gk topics facts general knowledge question - Mar 31 2022

web sep 8 2023 gk questions for class 1 gk questions for class 10 gk questions for class 11 gk questions for class 12 gk questions for class 2 gk questions for class 3 gk questions for class 4 gk questions for class 5 gk questions for class 6 gk questions for class 7 gk questions for class 8 gk questions for class 9

100 easy general knowledge questions and answers trivia - Aug 04 2022

web jul 8 2020 easy general knowledge questions and answers easy geography general knowledge questions and answers

easy history general knowledge questions and answers easy sport general knowledge quiz questions and answers easy music general knowledge quiz questions and answers fun easy entertainment

general knowledge questions and answers indiabix - Feb 10 2023

web learn and practise solving general knowledge questions to enhance your skills so that you can clear interviews competitive examinations and various entrance tests cat gate gre mat bank exams railway exams etc with full confidence

100 fun general knowledge quiz questions 2023 mentimeter - Jul 03 2022

web mar 7 2023 feel free to get creative and make your own menti quiz and add in any of the extra quiz questions we have included general knowledge quiz questions time to get general and see what you know about everything from space to us presidents

general knowledge quizzes questions answers proprofs - Mar 11 2023

web 2 days ago try this random general knowledge quiz to test your grip on general knowledge as the name suggests this quiz has random questions from different fields this makes these random general knowledge questions not only more fun but

1000 trivia questions and answers summer 2023 brightful - Apr 12 2023

web may 8 2022 in this list we ve collected trivia questions and answers from all categories and you ll find the best general trivia questions to practice your trivia skills before an upcoming trivia event which can also serve as an excellent team building activity

general knowledge 100 gk questions and answers pdf - Feb 27 2022

web jul 26 2023 general knowledge questions general knowledge is an essential component of most competitive exams and it is a section that carries a significant amount of marks in most examinations including upsc bank railway and ssc exams to help candidates excel in this section we have compiled a list of frequently asked 100 easy

7 655 general knowledge trivia quizzes 107 170 questions - Nov 07 2022

web the world s largest collection of general knowledge trivia quizzes over 107 170 trivia questions to answer play our general knowledge quiz games now how much do you know

5999 basic general knowledge gk questions and answers - Dec 28 2021

web 1980 2018 general knowledge questions and answers for all competitive exams like upsc bank po cds cmcat ssc cgl etc in this section you can learn and practice gk questions on history geography politics economy culture sports inventions physics chemistry biology famous personalities and many more

170 general knowledge quiz questions and answers for a - Aug 16 2023

web apr 17 2023 we at ahaslides have compiled the most comprehensive list of general knowledge quiz questions and answers on the internet just for you the list ranges from broad topics like films geography and history to niche topics like pop

culture james bond and game of thrones

100 of the best general knowledge quiz questions reader s - Sep 05 2022

web oct 29 2020 100 of the best general knowledge quiz questions by paul paquet samantha rideout and beth shillibeer reader s digest canada updated feb 16 2021 not counting the earth which is the only planet whose largest moon is named after a female figure which country has coastlines on the caspian sea the gulf of oman and the

50 general knowledge quiz questions and answers and - Jun 14 2023

web sep 8 2023 50 general knowledge quiz questions and answers and more a good general knowledge quiz has a lot to offer they re fun keep your brain sharp and best of all they suit any occasion

general knowledge quiz questions answers 2023 - Oct 06 2022

web the ultimate general knowledge quiz gather your friends and family to take part in our general knowledge quiz and see who will be crowned the winner thanks to our click to reveal answers even the quiz host can join in

general knowledge quiz with answers 160 questions fun - Jan 29 2022

web these general knowledge quiz questions and answers contain 160 random questions you can find the correct answers at the end of each round good luck kids quiz 100 easy children s quiz questions with answers general knowledge quiz round 1 questions what is the highest number used in a sudoku puzzle what is the term for a positive

100 of the best general knowledge quiz questions kyleads - Jul 15 2023

web jan 13 2021 general knowledge quiz questions about science and education general history questions general language and literature trivia general quiz questions about arts and sports general knowledge questions about land and food general quiz questions about religion and mythology conclusion

100 best general knowledge quiz questions cosmopolitan - Jan 09 2023

web apr 28 2023 the best general knowledge quiz questions what is the capital of finland what is the name of bridget jones baby in the third bridget jones film which five colours make up the olympic rings

top 1537 general knowledge quiz questions and answers 2023 - May 01 2022

web sep 7 2022 1 general knowledge quiz 2 general knowledge quiz with answers 3 general knowledge quiz test questions 4 general knowledge quiz for students 5 good general knowledge quiz 6 common general knowledge quiz questions and answers 6 1 conclusion

le bâti ancien analyse pathologie remèdes by bruno pignal - Feb 26 2022

web le bâti ancien analyse pathologie remèdes by bruno pignal pascal scarato jacky jeannet le bâti ancien analyse pathologie remèdes by bruno pignal pascal scarato

batı felsefesinin yeni tarixi 2 ortaçağ felsefesi anthony turuz - Dec 07 2022

web mar 20 2002 ean 9782747302104 142 pages hatier 20 03 2002 3 25 5 4 notes résumé la parenthèse de sang les reîtres d un gouvernement totalitaire

la parenthèse de sang sony labou tansi babelio - Nov 06 2022

web görüşler ve yorumlar batı türkçesi kendi içerisinde üç evreye ayrılır 1 eski anadolu türkçesi batı türkçesinin ilk devresidir 13 15 yüzyılları içine alır eski türkçenin

le ba ti ancien analyse pathologie rema des pdf uniport edu - May 12 2023

web ba ti ancien analyse pathologie rema des a literary masterpiece penned with a renowned author readers attempt a transformative journey unlocking the secrets and

le ba ti ancien analyse pathologie rema des yehuda shoefeld - Mar 10 2023

web le ba ti ancien analyse pathologie rema des new strategies combating bacterial infection oct 21 2022 combating bacterial infections calls for a multidisciplinary

batı türkçesinin gelişim evreleri nelerdir türkçe bilgi - Oct 05 2022

web le bâti ancien analyse pathologie remèdes by bruno pignal pascal scarato jacky jeannet le matin university of florida april 15th 2020 d itf c ion e i outre ce te

le bâti ancien analyse pathologie remède librairie - Jul 14 2023

web this le bâti ancien analyse pathologie remèdes by bruno pignal pascal scarato jacky jeannet as one of the greater part operational sellers here will entirely be accompanied

le bâti ancien analyse pathologie remèdes by bruno pignal - Aug 15 2023

web le bâti ancien analyse pathologie remèdes by bruno pignal pascal scarato jacky jeannet le gaulois littéraire et politique gallica may 3rd 2020 le fond de la question

le ba ti ancien analyse pathologie rema des - Feb 09 2023

web batı sanatı kısaca ortaçağ sanatıortaçağ sanatı hıristiyanlığın yayıldığı ülkelerde doğmuş ve onun hizmetinde gelişmiş olan dinsel nitelikli bir sanattır roma İmparatorluğu

le bâti ancien analyse pathologie remèdes by bruno pignal - Apr 30 2022

web download collections banq qc ca full text of bulletins de la socit de pathologie loot co za sitemap presse analyse des ragots sur l agression du 22 novembre full text of

le bâti ancien analyse pathologie remèdes by bruno pignal - Sep 23 2021

le bâti ancien analyse pathologie remèdes by bruno pignal - Mar 30 2022

web february 12th 2020 le mar queur le plus ancien est le dosage de lâ excrétion urinaire dâ azote pour valider lâ estimation

de là apport protéique de nombreux autres

le bâti ancien analyse pathologie remèdes by bruno pignal - Aug 03 2022

web le bâti ancien analyse pathologie remèdes by bruno pignal pascal scarato jacky jeannet full text of statistique gnrale topographique exposition de la doctrine mdicale

le bâti ancien analyse pathologie remèdes by bruno pignal - Sep 04 2022

web corse fr full text of recherches anatomiques et cliniques sur le full text of de l hrdit parasitaire de la tuberculose full text of pathologie du pied et de la cheville 2eme

le bâti ancien analyse pathologie remèdes by bruno pignal - Jun 01 2022

web le bâti ancien analyse pathologie remèdes by bruno pignal pascal scarato jacky jeannet le bâti ancien analyse pathologie remèdes by bruno pignal pascal scarato

le bâti ancien analyse pathologie remèdes by bruno pignal - Jul 02 2022

web le bâti ancien analyse pathologie remèdes by bruno pignal pascal scarato jacky jeannet april 19th 2020 la simple analyse des traditions ne remédierait pas encore à

le bâti ancien analyse pathologie remèdes by bruno pignal - Jun 13 2023

web apr 23 2023 afterward this one merely said the le ba ti ancien analyse pathologie rema des is universally compatible in the manner of any devices to read a dying

le bâti ancien analyse pathologie remèdes by bruno pignal - Dec 27 2021

web le bâti ancien analyse pathologie remèdes by bruno pignal pascal scarato jacky jeannet edf fr calamo le francais moderne 1938 le live marseille aller dans les plus

le bâti ancien analyse pathologie remèdes by bruno pignal - Oct 25 2021

web le bâti ancien analyse pathologie remèdes by bruno pignal pascal scarato jacky jeannet journal des dbats hansard of the mittee on social full text of bulletins de la

le bâti ancien analyse pathologie remèdes by bruno pignal - Nov 25 2021

web le bâti ancien analyse pathologie remèdes by bruno pignal pascal scarato jacky jeannet leipzig 1791 les arinales d agiiculture d arthur young leipzig 1700 1794 in

batı sanatı türkçe bilgi - Jan 08 2023

web jun 14 2019 pdf document İçerik dili türkçe batı felsefesinin yeni tarixi 2 ortaçağ felsefesi anthony kenny Şeyma yılmaz 2017 343s okuma İndir turuz hayatta kalmak

le bâti ancien analyse pathologie remèdes by bruno pignal - Jan 28 2022

web le bâti ancien analyse pathologie remèdes by bruno pignal pascal scarato jacky jeannet le bâti ancien analyse pathologie

remèdes by bruno pignal pascal scarato

le ba ti ancien analyse pathologie rema des full pdf - Apr 11 2023

web to see guide le ba ti ancien analyse pathologie rema des as you such as by searching the title publisher or authors of guide you really want you can discover them