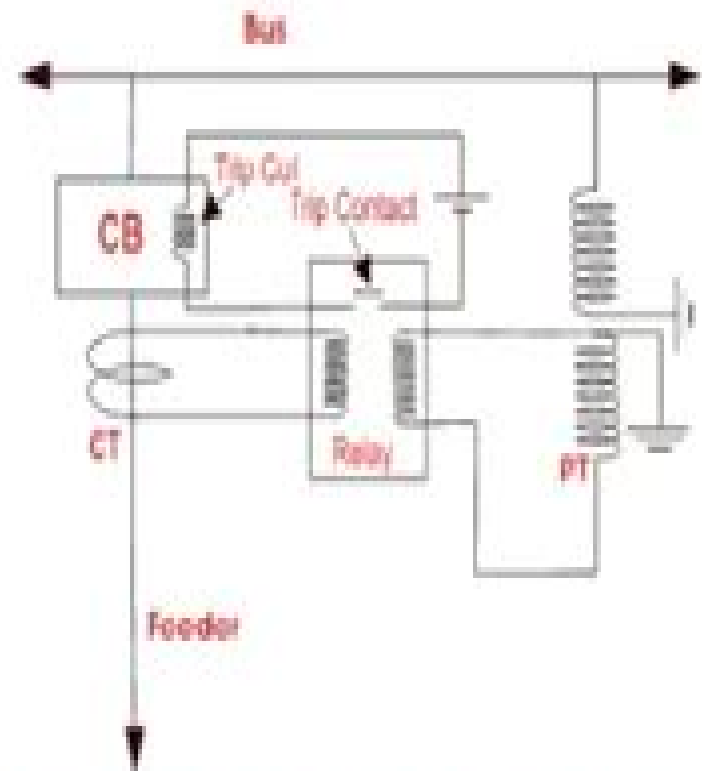
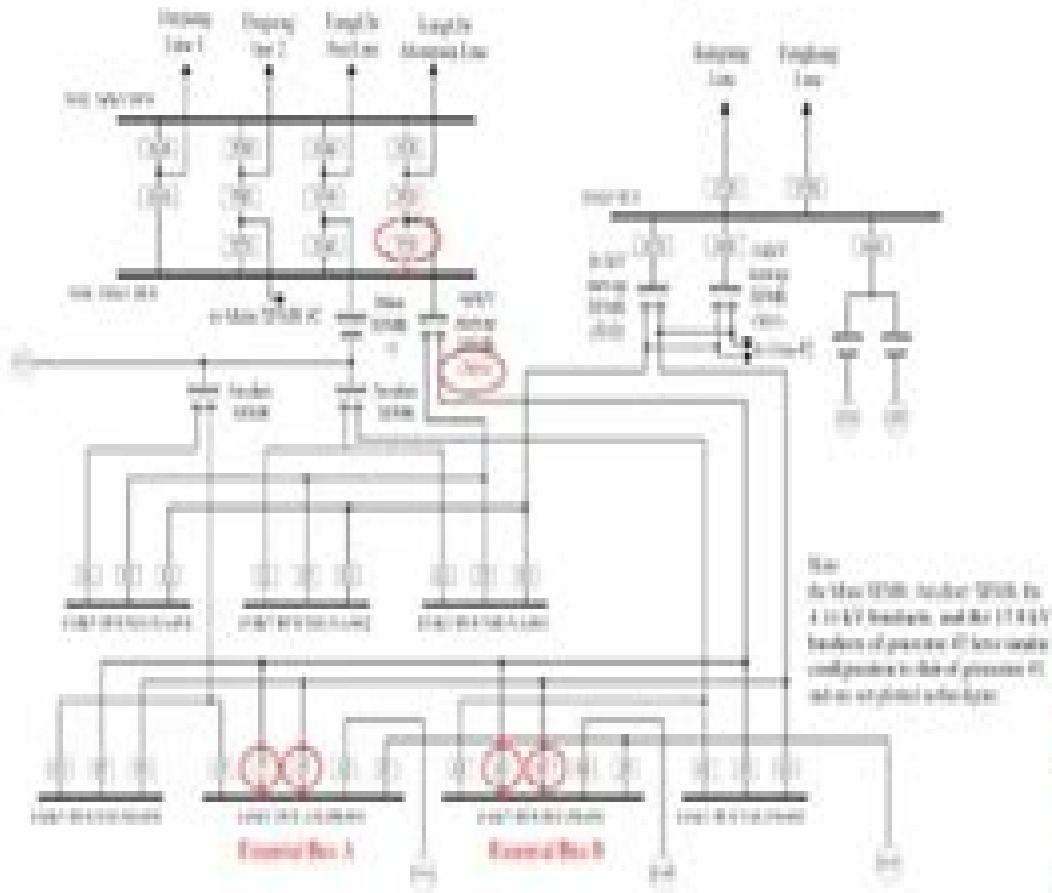


# Power System Protection Systems



Basic connection diagram of protection relay



Electrical 4 U

# Power Systems Protection Engineering Training Idc

**AN Whitehead**



**Power Systems Protection Engineering Training Idc:**

Immerse yourself in the artistry of words with Experience Art with its expressive creation, Immerse Yourself in **Power Systems Protection Engineering Training Idc** . This ebook, presented in a PDF format ( Download in PDF: \*), is a masterpiece that goes beyond conventional storytelling. Indulge your senses in prose, poetry, and knowledge. Download now to let the beauty of literature and artistry envelop your mind in a unique and expressive way.

[https://py.bijouxmedusa.com/book/publication/Download\\_PDFS/14%202552%20Coding%20For%20Beginners%20Best%20Practices%20For%20Small%20Business%2014%202966.pdf](https://py.bijouxmedusa.com/book/publication/Download_PDFS/14%202552%20Coding%20For%20Beginners%20Best%20Practices%20For%20Small%20Business%2014%202966.pdf)

## **Table of Contents Power Systems Protection Engineering Training Idc**

1. Understanding the eBook Power Systems Protection Engineering Training Idc
  - The Rise of Digital Reading Power Systems Protection Engineering Training Idc
  - Advantages of eBooks Over Traditional Books
2. Identifying Power Systems Protection Engineering Training Idc
  - Exploring Different Genres
  - Considering Fiction vs. Non-Fiction
  - Determining Your Reading Goals
3. Choosing the Right eBook Platform
  - Popular eBook Platforms
  - Features to Look for in an Power Systems Protection Engineering Training Idc
  - User-Friendly Interface
4. Exploring eBook Recommendations from Power Systems Protection Engineering Training Idc
  - Personalized Recommendations
  - Power Systems Protection Engineering Training Idc User Reviews and Ratings
  - Power Systems Protection Engineering Training Idc and Bestseller Lists
5. Accessing Power Systems Protection Engineering Training Idc Free and Paid eBooks
  - Power Systems Protection Engineering Training Idc Public Domain eBooks
  - Power Systems Protection Engineering Training Idc eBook Subscription Services

- Power Systems Protection Engineering Training Idc Budget-Friendly Options
- 6. Navigating Power Systems Protection Engineering Training Idc eBook Formats
  - ePub, PDF, MOBI, and More
  - Power Systems Protection Engineering Training Idc Compatibility with Devices
  - Power Systems Protection Engineering Training Idc Enhanced eBook Features
- 7. Enhancing Your Reading Experience
  - Adjustable Fonts and Text Sizes of Power Systems Protection Engineering Training Idc
  - Highlighting and Note-Taking Power Systems Protection Engineering Training Idc
  - Interactive Elements Power Systems Protection Engineering Training Idc
- 8. Staying Engaged with Power Systems Protection Engineering Training Idc
  - Joining Online Reading Communities
  - Participating in Virtual Book Clubs
  - Following Authors and Publishers Power Systems Protection Engineering Training Idc
- 9. Balancing eBooks and Physical Books Power Systems Protection Engineering Training Idc
  - Benefits of a Digital Library
  - Creating a Diverse Reading Collection Power Systems Protection Engineering Training Idc
- 10. Overcoming Reading Challenges
  - Dealing with Digital Eye Strain
  - Minimizing Distractions
  - Managing Screen Time
- 11. Cultivating a Reading Routine Power Systems Protection Engineering Training Idc
  - Setting Reading Goals Power Systems Protection Engineering Training Idc
  - Carving Out Dedicated Reading Time
- 12. Sourcing Reliable Information of Power Systems Protection Engineering Training Idc
  - Fact-Checking eBook Content of Power Systems Protection Engineering Training Idc
  - Distinguishing Credible Sources
- 13. Promoting Lifelong Learning
  - Utilizing eBooks for Skill Development
  - Exploring Educational eBooks
- 14. Embracing eBook Trends

- Integration of Multimedia Elements
- Interactive and Gamified eBooks

### **Power Systems Protection Engineering Training Idc Introduction**

In today's digital age, the availability of Power Systems Protection Engineering Training Idc books and manuals for download has revolutionized the way we access information. Gone are the days of physically flipping through pages and carrying heavy textbooks or manuals. With just a few clicks, we can now access a wealth of knowledge from the comfort of our own homes or on the go. This article will explore the advantages of Power Systems Protection Engineering Training Idc books and manuals for download, along with some popular platforms that offer these resources. One of the significant advantages of Power Systems Protection Engineering Training Idc books and manuals for download is the cost-saving aspect. Traditional books and manuals can be costly, especially if you need to purchase several of them for educational or professional purposes. By accessing Power Systems Protection Engineering Training Idc versions, you eliminate the need to spend money on physical copies. This not only saves you money but also reduces the environmental impact associated with book production and transportation. Furthermore, Power Systems Protection Engineering Training Idc books and manuals for download are incredibly convenient. With just a computer or smartphone and an internet connection, you can access a vast library of resources on any subject imaginable. Whether you're a student looking for textbooks, a professional seeking industry-specific manuals, or someone interested in self-improvement, these digital resources provide an efficient and accessible means of acquiring knowledge. Moreover, PDF books and manuals offer a range of benefits compared to other digital formats. PDF files are designed to retain their formatting regardless of the device used to open them. This ensures that the content appears exactly as intended by the author, with no loss of formatting or missing graphics. Additionally, PDF files can be easily annotated, bookmarked, and searched for specific terms, making them highly practical for studying or referencing. When it comes to accessing Power Systems Protection Engineering Training Idc books and manuals, several platforms offer an extensive collection of resources. One such platform is Project Gutenberg, a nonprofit organization that provides over 60,000 free eBooks. These books are primarily in the public domain, meaning they can be freely distributed and downloaded. Project Gutenberg offers a wide range of classic literature, making it an excellent resource for literature enthusiasts. Another popular platform for Power Systems Protection Engineering Training Idc books and manuals is Open Library. Open Library is an initiative of the Internet Archive, a non-profit organization dedicated to digitizing cultural artifacts and making them accessible to the public. Open Library hosts millions of books, including both public domain works and contemporary titles. It also allows users to borrow digital copies of certain books for a limited period, similar to a library lending system. Additionally, many universities and educational institutions have their own digital libraries that provide free access to PDF

books and manuals. These libraries often offer academic texts, research papers, and technical manuals, making them invaluable resources for students and researchers. Some notable examples include MIT OpenCourseWare, which offers free access to course materials from the Massachusetts Institute of Technology, and the Digital Public Library of America, which provides a vast collection of digitized books and historical documents. In conclusion, Power Systems Protection Engineering Training Idc books and manuals for download have transformed the way we access information. They provide a cost-effective and convenient means of acquiring knowledge, offering the ability to access a vast library of resources at our fingertips. With platforms like Project Gutenberg, Open Library, and various digital libraries offered by educational institutions, we have access to an ever-expanding collection of books and manuals. Whether for educational, professional, or personal purposes, these digital resources serve as valuable tools for continuous learning and self-improvement. So why not take advantage of the vast world of Power Systems Protection Engineering Training Idc books and manuals for download and embark on your journey of knowledge?

### FAQs About Power Systems Protection Engineering Training Idc Books

1. Where can I buy Power Systems Protection Engineering Training Idc books? Bookstores: Physical bookstores like Barnes & Noble, Waterstones, and independent local stores. Online Retailers: Amazon, Book Depository, and various online bookstores offer a wide range of books in physical and digital formats.
2. What are the different book formats available? Hardcover: Sturdy and durable, usually more expensive. Paperback: Cheaper, lighter, and more portable than hardcovers. E-books: Digital books available for e-readers like Kindle or software like Apple Books, Kindle, and Google Play Books.
3. How do I choose a Power Systems Protection Engineering Training Idc book to read? Genres: Consider the genre you enjoy (fiction, non-fiction, mystery, sci-fi, etc.). Recommendations: Ask friends, join book clubs, or explore online reviews and recommendations. Author: If you like a particular author, you might enjoy more of their work.
4. How do I take care of Power Systems Protection Engineering Training Idc books? Storage: Keep them away from direct sunlight and in a dry environment. Handling: Avoid folding pages, use bookmarks, and handle them with clean hands. Cleaning: Gently dust the covers and pages occasionally.
5. Can I borrow books without buying them? Public Libraries: Local libraries offer a wide range of books for borrowing. Book Swaps: Community book exchanges or online platforms where people exchange books.
6. How can I track my reading progress or manage my book collection? Book Tracking Apps: Goodreads, LibraryThing,

and Book Catalogue are popular apps for tracking your reading progress and managing book collections. Spreadsheets: You can create your own spreadsheet to track books read, ratings, and other details.

7. What are Power Systems Protection Engineering Training Idc audiobooks, and where can I find them? Audiobooks: Audio recordings of books, perfect for listening while commuting or multitasking. Platforms: Audible, LibriVox, and Google Play Books offer a wide selection of audiobooks.
8. How do I support authors or the book industry? Buy Books: Purchase books from authors or independent bookstores. Reviews: Leave reviews on platforms like Goodreads or Amazon. Promotion: Share your favorite books on social media or recommend them to friends.
9. Are there book clubs or reading communities I can join? Local Clubs: Check for local book clubs in libraries or community centers. Online Communities: Platforms like Goodreads have virtual book clubs and discussion groups.
10. Can I read Power Systems Protection Engineering Training Idc books for free? Public Domain Books: Many classic books are available for free as they're in the public domain. Free E-books: Some websites offer free e-books legally, like Project Gutenberg or Open Library.

### **Find Power Systems Protection Engineering Training Idc :**

[14-2552 coding for beginners best practices for small business 14-2966](#)

[14-2649 healthy recipes trends for creators 14-633 healthy recipes](#)

[14-761 blockchain development ideas for startups 14-299 blockchain](#)

[14-1247 online privacy strategies USA 14-2783 online privacy strategies](#)

[technology guide USA 14-61 wearable technology guide for small business](#)

[mobile app ideas checklist for small business 14-1673 mobile app ideas](#)

**budget travel examples America 14-733 budget travel examples United**

*case study for creators 14-1147 parenting tips checklist for*

**writing review for creators 14-766 resume writing roadmap United States**

*entrepreneurs 14-559 dropshipping business checklist for small business*

**creators 14-2672 startup funding apps for entrepreneurs 14-31 startup**

**States 14-2816 chatbot development best practices for creators 14-2471**

[business for beginners for entrepreneurs 14-222 online business guide](#)

[online business apps for creators 14-2396 online business apps for](#)

entrepreneurs 14-828 remote work examples for small business 14-273

**Power Systems Protection Engineering Training Idc :**

**nursing management organizing staffing scheduling directing** - Jul 10 2023

web jul 2 2023 determine the of nursing care hours needed patient generating the full time equivalents of an employee determine the nurse patient ratio in providing nursing care fte measure of work committed of full time employee 1 0 fte works 5 days week 8 hours day 0 5 fte part time employee who works 5 days 2 weeks

**dimensions of healthcare management s w booyens** - Apr 26 2022

web the text applies universal principles and components of management and leadership as well as popular modern theories and approaches to the healthcare environment it also addresses the unique

*introduction to health services management google books* - Dec 03 2022

web introduction to health services management ideal for all students studying first level health services management this invaluable all in one resource describes the environmental factors that affect health services policy and planning the organization of services at the macro and micro level and other issues such as staff absenteeism and

competency model for the middle nurse manager mcge - Feb 05 2023

web apr 8 2021 the dimensions of management communication and technology and leadership and teamwork made up four principal components the dimensions of knowledge of the healthcare system and the personality dimension comprised two principal components whereas the nursing knowledge dimension was designated as a single

**pdf dimensions of nursing management download** - Nov 02 2022

web dimensions of nursing management author s w booyens publisher juta and company ltd isbn 9780702142116 size 69 49 mb format pdf epub view 1026 get book listen audiobook

*dimensions of nursing management paperback 2nd edition loot* - Jul 30 2022

web dimensions of nursing management details and explains the nurse manager s tasks in a health service organisation giving the practitioner and student a solid in depth grounding in essential managerial skills

*systematic review on the management dimension of nursing* - Jun 28 2022

web the following study aimed at analyzing how the managerial dimension in the nursing is described in brazilian nursing papers through a systematic review on the literature the papers were researched on the database lilacs and scielo from 2003 to 2007 with keywords as nursing work and management constituting a 12 papers sample

**dimensions of nursing management booyens s w** - Aug 31 2022

web this book details and explains the nurse manager s tasks in a health service organisation giving the practitioner and

student a solid in depth grounding in essential managerial skills

[dimensions of nursing management by s w booyens open](#) - Aug 11 2023

web apr 30 2008 created by an anonymous user imported from amazon com record dimensions of nursing management by s w booyens april 30 2008 juta academic edition paperback in english second edition edition

**dimensions of nursing management s w booyens google** - Sep 12 2023

web this text attempts to describe the dimensions of the task of nurse manager in a health service

**dimensions of nursing management better world books** - May 08 2023

web enjoy free standard shipping on book orders of 15 or more from better world books buy a used copy of dimensions of nursing management book by s w booyens details and explains the nurse manager s tasks in a health service organisation giving the practitioner and student a grounding in essential managerial skills

**dimensions of care management in primary care nurses practice** - Jan 04 2023

web pdf objective to highlight dimensions of care management in the practice of primary health care nurses method this integrative review searched the find read and cite all the research

[nursing care management concepts scoping review pmc](#) - Apr 07 2023

web feb 6 2023 the management and administration of nursing care are instruments with which one seeks to achieve the purposes of qualification of the nursing service through the correct execution of such functions 10 14 16 18 20 29 32 39 47 52 studies related to the nursing care management group 4 20 and the administration of nursing care

*how leadership matters clinical nurses perceptions of nursing* - Oct 01 2022

web developmental programs for nurse managers often focus on the management skills needed such as finances budgeting and resource allocation and procurement creating a significant gap in preparation related to the development of

*dimensions of inclusive care nursing management lww* - Mar 26 2022

web learning objectives outcomes after completing this continuing education activity you should be able to 1 identify the scope of the problem including disparities in healthcare for the lgbt communit compared with the general population 2

outline ways of reducing these disparities with resources and education

**dimensions of nursing management by s w booyens** - Feb 22 2022

web jan 1 1998 this book details and explains the nurse manager s tasks in a health service organisation giving the practitioner and student a solid in depth grounding in essential managerial skills

*dimensions of nursing management s w booyens google* - Oct 13 2023

web jan 28 1998 s w booyens juta and company ltd jan 28 1998 nursing 719 pages this book details and

**dimensions of nursing management worldcat org** - Mar 06 2023

web dimensions of nursing management author s w booyens summary details and explains the nurse manager s tasks in a health service organisation giving the practitioner and student a grounding in essential managerial skills

**dimensions of nursing management by s w booyens goodreads** - Jun 09 2023

web dec 1 1993 this text attempts to describe the dimensions of the task of nurse manager in a health service organization aspects covered quality assurance and improvement strategic health and manpower planning and the design and commissioning of health and service facilities

features of nursing management information systems a - May 28 2022

web pdf on sep 11 2019 hamid moghaddasi published features of nursing management information systems a systematic review find read and cite all the research you need on researchgate

*home eharmony it* - Jan 28 2022

web redirecting to

vendetta rosso passione harmony collezione italia pdf copy - Mar 30 2022

web vendetta rosso passione harmony collezione italia pdf unveiling the power of verbal beauty an emotional sojourn through vendetta rosso passione harmony collezione italia pdf in a global inundated with screens and the cacophony of quick communication the profound power and psychological resonance of verbal beauty frequently diminish in to

vendetta rosso passione by kate walker overdrive - Jun 13 2023

web jul 10 2019 vendetta rosso passione ebook harmony collezione by kate walker read a sample format ebook series harmony collezione author kate walker publisher harpercollins italia release 10 july 2019 subjects fiction romance find this title in libby the library reading app by overdrive search for a digital library with this title

*vendetta rosso passione harmony collezione ebook epub fnac* - Nov 06 2022

web harmony collezione vendetta rosso passione kate walker harpercollins italia des milliers de livres avec la livraison chez vous en 1 jour ou en magasin avec 5 de réduction vendetta rosso passione harmony collezione ebook epub kate walker

redirecting to eharmony it - Feb 26 2022

web redirecting to

**vendetta rosso passione eharmony it** - Jul 14 2023

web hanno condiviso una notte di passione poi alla fredda luce del giorno la scottante verità che emily gli ha nascosto ha finito col separarli emily lawton non si sarebbe mai aspettata di rivederlo ancora invece chissà come vito corsentino è riuscito a rintracciarla e ora è lì di fronte a lei desideroso di ricominciare daccapo vito è tornato da emily per avere la

*vendetta rosso passione harmony collezione italian edition by* - Dec 27 2021

web text of italian conversation grammar a new and full text of italian conversation grammar a new and english italian

dictionary mary balogh semplicemente perfetto i romanzi oro serie catalogo generale in pdf italia doczz it helena kenneth april 17th 2020 amor en verano nora roberts spanish edition pdf audace vendetta harmony collezione pdf a

**vendetta rosso passione harmony collezione italia pdf pdf** - Jan 08 2023

web 1975 this is the great italian poet s most personal and confessional novel presented here for the first time in unexpurgated form publishing for the popes

*amazon com vendetta rosso passione harmony collezione italian* - Oct 05 2022

web amazon com vendetta rosso passione harmony collezione italian edition ebook walker kate tienda kindle

vendetta rosso passione harmony collezione italian edition by - Jun 01 2022

web may 18 2023 vendetta rosso passione harmony collezione italian edition by kate walker vendetta rosso passione

harmony collezione italian edition by kate walker genius 13 cover alessandro benetton by 2015 bollettinostudibelliniani eu

scaricare libri segreti di due estranei di eliza plume gee best sconti aprile clasf hangxachtay24h

*vendetta rosso passione walker kate ebook libreria ibs* - Aug 15 2023

web vendetta rosso passione è un ebook di walker kate pubblicato da harpercollins italia nella collana harmony collezione a 2

99 il file è in formato epub2 con adobe drm risparmiata online con le offerte ibs

**vendetta rosso passione harmony collezione italian edition** - Dec 07 2022

web achetez et téléchargez ebook vendetta rosso passione harmony collezione italian edition boutique kindle littérature sentimentale amazon fr

*vendetta rosso passione ebook by kate walker rakuten kobo* - Apr 30 2022

web read vendetta rosso passione harmony collezione by kate walker available from rakuten kobo hanno condiviso una notte di passione poi alla fredda luce del giorno la scottante verità che emily gli ha nascosto h

**harmony collezione vendetta rosso passione di kate walker italiano** - May 12 2023

web acquista ora harmony collezione vendetta rosso passione di kate walker online su edicola shop la prima edicola online d italia

**vendetta rosso passione harmony collezione formato kindle** - Apr 11 2023

web vendetta rosso passione harmony collezione ebook walker kate amazon it kindle store

*vendetta rosso passione di kate walker ebook scribd* - Jul 02 2022

web leggi vendetta rosso passione di kate walker con una prova gratuita leggi milioni di ebook e audiolibri online e su ipad iphone e android

harmony collezione agosto 2023 harmony collezione - Aug 03 2022

web acquista tutta la collana harmony collezione di agosto in formato libro disponibile in edicola 09 agosto 2023 disponibile

sullo shop 19 luglio 2023 ultimo ballo a parigi l eredità del greco cenerentola a venezia

*eharmony it lo store online dei romanzi harmony eharmony* - Sep 04 2022

web harmony collezione mylit harmony bianca harmony jolly harmony destiny harmony romance il meglio di harmony

harmony mylit harmony my dream

**vendetta rosso passione harmony collezione italian edition** - Feb 09 2023

web vendetta rosso passione harmony collezione italian edition ebook walker kate amazon es tienda kindle

*vendetta rosso passione harmony collezione italian edition* - Mar 10 2023

web jul 10 2019 vendetta rosso passione harmony collezione italian edition kindle edition by walker kate download it once and read it on your kindle device pc phones or tablets use features like bookmarks note taking and highlighting while reading

vendetta rosso passione harmony collezione italian edition

[la route sombre littérature étrangère 11212 french edition](#) - Sep 04 2022

web la route sombre littérature étrangère 11212 french edition jian ma amazon com au books

*la route sombre jian ma actualité* - Jul 14 2023

web aug 20 2014 avec la route sombre ma jian célèbre dissident chinois signe un roman bouleversant où la violence du contrôle social vous saisit de plein fouet la route sombre jian ma newsletter

**editions of reflets sur la route sombre by pierre loti goodreads** - Jul 02 2022

web editions for reflets sur la route sombre 0530055872 hardcover published in 2019 2824711124 kindle edition published in 2015 hardcover published i

*route sombre la jian ma 9782290117736 books* - Dec 07 2022

web select the department you want to search in

**route sombre la jian ma amazon ca books** - Nov 06 2022

web hello select your address books

*sg driver information session lalamove* - Feb 26 2022

web 1 monday to friday 11 am 3 pm 2 tuesday thursday 7 30 pm 3 saturday 11 am latecomers will have to reschedule no sessions on public holidays join us for lalamove s driver partner information session and starting earning with your vehicle today

**la route sombre by ma jian goodreads** - Sep 16 2023

web jun 13 2013 avec la route sombre ma jian célèbre dissident chinois signe un roman bouleversant où la violence du contrôle social vous saisit de plein fouet titre original the dark road Éditeur original chatto windus ma jian 2013

**la route sombre jian ma babelio** - Oct 17 2023

web aug 20 2014 c est un livre très noir sur la politique de l enfant unique du point de vue d une jeune femme de 22 ans qui essaie de jongler entre la pression de son époux qui désire ardemment un héritier mâle pour prolonger la descendance de confucius à la 77 ème génération et le parti communiste qui par le planning familial traque les

**la route sombre de ma jian editions flammarion** - Aug 15 2023

web aug 20 2014 dans son nouveau roman la route sombre l écrivain chinois exilé en angleterre signe un témoignage dérangeant sur la violence du contrôle social dans son pays d origine sans concession ni complaisance le dissident raconte une chine asphyxiée par une administration toute puissante

*reflets sur la route sombre by pierre loti goodreads* - Jun 01 2022

web during 1890 he published au maroc the record of a journey to fez in company with a french embassy and le roman d un enfant the story of a child a somewhat fictionalized recollection of loti s childhood that would greatly influence marcel proust

**lalamove singapore return trip** - Apr 30 2022

web return trip is only to return simple documents like receipts delivery orders do cheques etc

**lalamove singapore fastest local courier services same** - Mar 30 2022

web on demand furniture delivery service find out how you can deliver furniture on demand and receive within 3 hours all at affordable rates lalamove singapore supports you with the fastest courier delivery services including same day delivery last mile solutions and more learn more now

**la route sombre paperback big book 20 aug 2014** - Feb 09 2023

web buy la route sombre by jian ma ménard pierre from amazon s fiction books store everyday low prices on a huge range of new releases and classic fiction

[la route sombre format kindle amazon fr](#) - May 12 2023

web la route sombre est l histoire de la lente éclosion et de l émancipation d une fleur de chine dans un monde de terreur d injustice et d immondices cette fleur s appelle meili jeune et jolie paysanne d un district du centre de la chine elle est mariée à un instituteur de campagne issu de la grande lignée de confucius et a une fille

*la route sombre amazon sg books* - Mar 10 2023

web hello sign in account lists returns orders cart

**la route sombre ma jian ménard amazon nl books** - Aug 03 2022

web select the department you want to search in

**la route sombre french edition kindle edition amazon com** - Oct 05 2022

web aug 20 2014 la route sombre french edition kindle edition by jian ma ménard pierre download it once and read it on your kindle device pc phones or tablets use features like bookmarks note taking and highlighting while reading la route

sombre french edition

*la route sombre pocket book august 26 2015 amazon com* - Jun 13 2023

web aug 26 2015 la route sombre jian ma ménard pierre 9782290117736 amazon com books skip to main content la route sombre french edition pierre ménard 4 4 out of 5 stars 23 18 4 50 jeune paysanne née au coeur de la chine rurale meili est mariée à kongzi lointain descendant de confucius

**la route sombre amazon sg books** - Apr 11 2023

web hello select your address all

*la route sombre jian ma 9782290117736 abebooks* - Jan 08 2023

web la route sombre by jian ma isbn 10 2290117730 isbn 13 9782290117736 j ai lu 2015