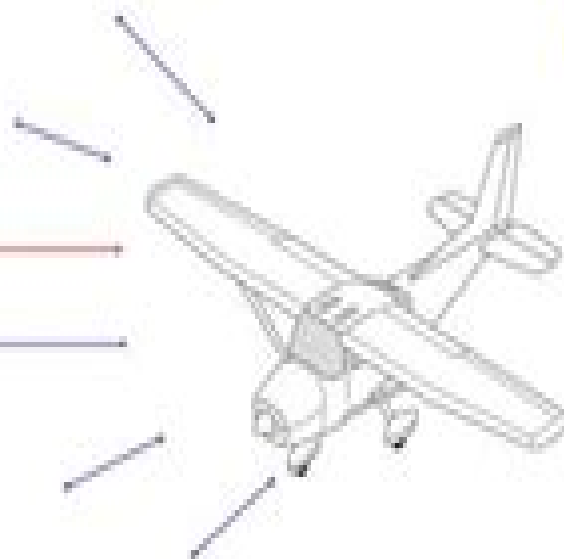


Primary / Secondary Surveillance Radar



Transmitted Signal

Received Signal



SSR



Transmitted interrogation

Generated Reply



- SSR Transponder
- External antenna
- Cockpit Control Panel

Primary Surveillance Radar Extractor Intersoft

Michael C. Stevens



Primary Surveillance Radar Extractor Intersoft:

Secondary Surveillance Radar Michael C. Stevens, 1988

The Captivating Realm of E-book Books: A Detailed Guide Revealing the Advantages of Kindle Books: A World of Convenience and Flexibility E-book books, with their inherent mobility and ease of availability, have liberated readers from the limitations of hardcopy books. Gone are the days of carrying cumbersome novels or meticulously searching for specific titles in bookstores. Kindle devices, stylish and portable, seamlessly store an wide library of books, allowing readers to immerse in their favorite reads anytime, everywhere. Whether commuting on a bustling train, relaxing on a sunny beach, or just cozying up in bed, Kindle books provide an unparalleled level of convenience. A Literary Universe Unfolded: Discovering the Wide Array of Kindle Primary Surveillance Radar Extractor Intersoft Primary Surveillance Radar Extractor Intersoft The E-book Shop, a virtual treasure trove of bookish gems, boasts an wide collection of books spanning diverse genres, catering to every readers preference and choice. From captivating fiction and thought-provoking non-fiction to classic classics and contemporary bestsellers, the E-book Shop offers an unparalleled abundance of titles to explore. Whether looking for escape through engrossing tales of fantasy and adventure, diving into the depths of past narratives, or expanding ones understanding with insightful works of scientific and philosophical, the Kindle Store provides a doorway to a literary world brimming with limitless possibilities. A Revolutionary Force in the Literary Landscape: The Enduring Influence of E-book Books Primary Surveillance Radar Extractor Intersoft The advent of Kindle books has certainly reshaped the bookish landscape, introducing a model shift in the way books are released, disseminated, and read. Traditional publication houses have embraced the online revolution, adapting their strategies to accommodate the growing demand for e-books. This has led to a rise in the accessibility of E-book titles, ensuring that readers have access to a wide array of literary works at their fingers. Moreover, Kindle books have equalized access to books, breaking down geographical barriers and offering readers worldwide with equal opportunities to engage with the written word. Regardless of their location or socioeconomic background, individuals can now immerse themselves in the intriguing world of literature, fostering a global community of readers. Conclusion: Embracing the E-book Experience Primary Surveillance Radar Extractor Intersoft Kindle books Primary Surveillance Radar Extractor Intersoft, with their inherent convenience, versatility, and vast array of titles, have unquestionably transformed the way we encounter literature. They offer readers the liberty to explore the boundless realm of written expression, whenever, everywhere. As we continue to travel the ever-evolving online scene, E-book books stand as testament to the enduring power of storytelling, ensuring that the joy of reading remains accessible to all.

https://py.bijouxmedusa.com/book/scholarship/Documents/Growth_Guide_For_Creators_32_2600_YouTube_Growth_Guide_For_Startups.pdf

Table of Contents Primary Surveillance Radar Extractor Intersoft

1. Understanding the eBook Primary Surveillance Radar Extractor Intersoft
 - The Rise of Digital Reading Primary Surveillance Radar Extractor Intersoft
 - Advantages of eBooks Over Traditional Books
2. Identifying Primary Surveillance Radar Extractor Intersoft
 - Exploring Different Genres
 - Considering Fiction vs. Non-Fiction
 - Determining Your Reading Goals
3. Choosing the Right eBook Platform
 - Popular eBook Platforms
 - Features to Look for in an Primary Surveillance Radar Extractor Intersoft
 - User-Friendly Interface
4. Exploring eBook Recommendations from Primary Surveillance Radar Extractor Intersoft
 - Personalized Recommendations
 - Primary Surveillance Radar Extractor Intersoft User Reviews and Ratings
 - Primary Surveillance Radar Extractor Intersoft and Bestseller Lists
5. Accessing Primary Surveillance Radar Extractor Intersoft Free and Paid eBooks
 - Primary Surveillance Radar Extractor Intersoft Public Domain eBooks
 - Primary Surveillance Radar Extractor Intersoft eBook Subscription Services
 - Primary Surveillance Radar Extractor Intersoft Budget-Friendly Options
6. Navigating Primary Surveillance Radar Extractor Intersoft eBook Formats
 - ePub, PDF, MOBI, and More
 - Primary Surveillance Radar Extractor Intersoft Compatibility with Devices
 - Primary Surveillance Radar Extractor Intersoft Enhanced eBook Features
7. Enhancing Your Reading Experience
 - Adjustable Fonts and Text Sizes of Primary Surveillance Radar Extractor Intersoft
 - Highlighting and Note-Taking Primary Surveillance Radar Extractor Intersoft
 - Interactive Elements Primary Surveillance Radar Extractor Intersoft

8. Staying Engaged with Primary Surveillance Radar Extractor Intersoft
 - Joining Online Reading Communities
 - Participating in Virtual Book Clubs
 - Following Authors and Publishers Primary Surveillance Radar Extractor Intersoft
9. Balancing eBooks and Physical Books Primary Surveillance Radar Extractor Intersoft
 - Benefits of a Digital Library
 - Creating a Diverse Reading Collection Primary Surveillance Radar Extractor Intersoft
10. Overcoming Reading Challenges
 - Dealing with Digital Eye Strain
 - Minimizing Distractions
 - Managing Screen Time
11. Cultivating a Reading Routine Primary Surveillance Radar Extractor Intersoft
 - Setting Reading Goals Primary Surveillance Radar Extractor Intersoft
 - Carving Out Dedicated Reading Time
12. Sourcing Reliable Information of Primary Surveillance Radar Extractor Intersoft
 - Fact-Checking eBook Content of Primary Surveillance Radar Extractor Intersoft
 - Distinguishing Credible Sources
13. Promoting Lifelong Learning
 - Utilizing eBooks for Skill Development
 - Exploring Educational eBooks
14. Embracing eBook Trends
 - Integration of Multimedia Elements
 - Interactive and Gamified eBooks

Primary Surveillance Radar Extractor Intersoft Introduction

In the digital age, access to information has become easier than ever before. The ability to download Primary Surveillance Radar Extractor Intersoft has revolutionized the way we consume written content. Whether you are a student looking for course material, an avid reader searching for your next favorite book, or a professional seeking research papers, the option to download Primary Surveillance Radar Extractor Intersoft has opened up a world of possibilities. Downloading Primary Surveillance Radar Extractor Intersoft provides numerous advantages over physical copies of books and documents. Firstly,

it is incredibly convenient. Gone are the days of carrying around heavy textbooks or bulky folders filled with papers. With the click of a button, you can gain immediate access to valuable resources on any device. This convenience allows for efficient studying, researching, and reading on the go. Moreover, the cost-effective nature of downloading Primary Surveillance Radar Extractor Intersoft has democratized knowledge. Traditional books and academic journals can be expensive, making it difficult for individuals with limited financial resources to access information. By offering free PDF downloads, publishers and authors are enabling a wider audience to benefit from their work. This inclusivity promotes equal opportunities for learning and personal growth. There are numerous websites and platforms where individuals can download Primary Surveillance Radar Extractor Intersoft. These websites range from academic databases offering research papers and journals to online libraries with an expansive collection of books from various genres. Many authors and publishers also upload their work to specific websites, granting readers access to their content without any charge. These platforms not only provide access to existing literature but also serve as an excellent platform for undiscovered authors to share their work with the world. However, it is essential to be cautious while downloading Primary Surveillance Radar Extractor Intersoft. Some websites may offer pirated or illegally obtained copies of copyrighted material. Engaging in such activities not only violates copyright laws but also undermines the efforts of authors, publishers, and researchers. To ensure ethical downloading, it is advisable to utilize reputable websites that prioritize the legal distribution of content. When downloading Primary Surveillance Radar Extractor Intersoft, users should also consider the potential security risks associated with online platforms. Malicious actors may exploit vulnerabilities in unprotected websites to distribute malware or steal personal information. To protect themselves, individuals should ensure their devices have reliable antivirus software installed and validate the legitimacy of the websites they are downloading from. In conclusion, the ability to download Primary Surveillance Radar Extractor Intersoft has transformed the way we access information. With the convenience, cost-effectiveness, and accessibility it offers, free PDF downloads have become a popular choice for students, researchers, and book lovers worldwide. However, it is crucial to engage in ethical downloading practices and prioritize personal security when utilizing online platforms. By doing so, individuals can make the most of the vast array of free PDF resources available and embark on a journey of continuous learning and intellectual growth.

FAQs About Primary Surveillance Radar Extractor Intersoft Books

1. Where can I buy Primary Surveillance Radar Extractor Intersoft books? Bookstores: Physical bookstores like Barnes & Noble, Waterstones, and independent local stores. Online Retailers: Amazon, Book Depository, and various online

- bookstores offer a wide range of books in physical and digital formats.
2. What are the different book formats available? Hardcover: Sturdy and durable, usually more expensive. Paperback: Cheaper, lighter, and more portable than hardcovers. E-books: Digital books available for e-readers like Kindle or software like Apple Books, Kindle, and Google Play Books.
 3. How do I choose a Primary Surveillance Radar Extractor Intersoft book to read? Genres: Consider the genre you enjoy (fiction, non-fiction, mystery, sci-fi, etc.). Recommendations: Ask friends, join book clubs, or explore online reviews and recommendations. Author: If you like a particular author, you might enjoy more of their work.
 4. How do I take care of Primary Surveillance Radar Extractor Intersoft books? Storage: Keep them away from direct sunlight and in a dry environment. Handling: Avoid folding pages, use bookmarks, and handle them with clean hands. Cleaning: Gently dust the covers and pages occasionally.
 5. Can I borrow books without buying them? Public Libraries: Local libraries offer a wide range of books for borrowing. Book Swaps: Community book exchanges or online platforms where people exchange books.
 6. How can I track my reading progress or manage my book collection? Book Tracking Apps: Goodreads, LibraryThing, and Book Catalogue are popular apps for tracking your reading progress and managing book collections. Spreadsheets: You can create your own spreadsheet to track books read, ratings, and other details.
 7. What are Primary Surveillance Radar Extractor Intersoft audiobooks, and where can I find them? Audiobooks: Audio recordings of books, perfect for listening while commuting or multitasking. Platforms: Audible, LibriVox, and Google Play Books offer a wide selection of audiobooks.
 8. How do I support authors or the book industry? Buy Books: Purchase books from authors or independent bookstores. Reviews: Leave reviews on platforms like Goodreads or Amazon. Promotion: Share your favorite books on social media or recommend them to friends.
 9. Are there book clubs or reading communities I can join? Local Clubs: Check for local book clubs in libraries or community centers. Online Communities: Platforms like Goodreads have virtual book clubs and discussion groups.
 10. Can I read Primary Surveillance Radar Extractor Intersoft books for free? Public Domain Books: Many classic books are available for free as they're in the public domain. Free E-books: Some websites offer free e-books legally, like Project Gutenberg or Open Library.

Find Primary Surveillance Radar Extractor Intersoft :

growth guide for creators 32-2600 YouTube growth guide for startups

examples for creators 32-2774 luxury travel examples for entrepreneurs
~~basics checklist for creators 32-891 machine learning basics comparison~~
marketing strategies USA 32-1758 TikTok marketing strategies USA 32-216
business 32-2971 smart home tech tips for startups 32-578 smart home
entrepreneurs 32-2826 Instagram growth guide USA 32-2475 Instagram
~~for beginners for startups 32-2272 VPN services guide America 32-2900~~
marketing examples United States 32-1316 AI marketing examples for
States 32-1118 stock market tutorial for creators 32-2587 stock market
cloud computing examples for startups 32-112 cloud computing examples
comparison for startups 32-1288 fitness routines examples for startups
online business comparison for startups 32-1790 online business examples
strategy trends for entrepreneurs 32-2448 SEO strategy trends for small
dropshipping business best practices America 32-2253 dropshipping
software United States 32-534 remote work step by step USA 32-2806

Primary Surveillance Radar Extractor Intersoft :

marvel la enciclopedia prólogo de stan lee lee stan - Nov 26 2022

web marvel la enciclopedia prólogo de stan lee lee stan bray adam dk dk amazon es libros

marvel la enciclopedia prólogo de stan lee versión kindle - Jun 02 2023

web mantente al día con el universo en constante expansión de marvel con la nueva edición de la enciclopedia más vendida de dk esta vez con una introducción de stan lee descubre los hechos esenciales sobre los héroes de marvel comics como el capitán américa spider man y iron man y villanos como thanos loki y kingpin

marvel la enciclopedia vv aa casa del libro - Sep 24 2022

web prólogo de stan lee vv aa dk 9780241413074 6 escribe tu opinión cómics superhéroes marvel sinopsis de marvel la enciclopedia mantente al día con el universo en constante expansión de marvel con la nueva edición de la enciclopedia más vendida de dk esta vez con una introducción de stan lee

marvel la enciclopedia prólogo de stan lee amazon fr - Jan 29 2023

web mantente al día con el universo en constante expansión de marvel con la nueva edición de la enciclopedia más vendida de dk esta vez con una introducción de stan lee descubre los hechos esenciales sobre los héroes de marvel comics como el capitán américa spider man y iron man y villanos como thanos loki y kingpin

marvel la enciclopedia prólogo de stan lee buscalibre - Mar 19 2022

web mantente al día con el universo en constante expansión de marvel con la nueva edición de la enciclopedia más vendida de dk esta vez con una introducción de stan lee descubre los hechos esenciales sobre los héroes de marvel comics como el capitán américa spider man y iron man y villanos como thanos loki y kingpin

marvel la enciclopedia prólogo de stan lee tapa dura - Oct 26 2022

web la enciclopedia sobre el gran universo marvel con una introducción de stan lee investigada meticulosamente e increíblemente ilustrada esta magnífica guía del universo marvel presenta más de 1200 personajes atemporales de marvel comics

marvel la enciclopedia prólogo de stan lee google books - Aug 04 2023

web jul 3 2023 la enciclopedia sobre el gran universo marvel con una introducción de stan lee investigada meticulosamente e increíblemente ilustrada esta magnífica guía del universo marvel

marvel la enciclopedia prólogo de stan lee amazon es - Oct 06 2023

web mantente al día con el universo en constante expansión de marvel con la nueva edición de la enciclopedia más vendida de dk esta vez con una introducción de stan lee descubre los hechos esenciales sobre los héroes de marvel comics como el capitán américa spider man y iron man y villanos como thanos loki y kingpin

marvel la enciclopedia prólogo de stan lee amazon com br - May 21 2022

web compre online marvel la enciclopedia prólogo de stan lee de lee stan bray adam dk na amazon frete grÁtis em milhares de produtos com o amazon prime encontre diversos livros escritos por lee stan bray adam dk com ótimos preços

marvel la enciclopedia prólogo de stan lee gebundene ausgabe amazon de - Apr 19 2022

web la enciclopedia sobre el gran universo marvel con una introducción de stan lee investigada meticulosamente e increíblemente ilustrada esta magnífica guía del

marvel la enciclopedia prólogo de stan lee goodreads - Sep 05 2023

web mantente al día con el universo en constante expansión de marvel con la nueva edición de la enciclopedia más vendida de dk esta vez con una introducción de stan lee descubre los hechos esenciales sobre los héroes de marvel comics como el capitán américa spider man y iron man y villanos como thanos loki y kingpin

marvel la enciclopedia prólogo de stan lee - Feb 15 2022

web mantente al día con el universo en constante expansión de marvel con la nueva edición de la enciclopedia más vendida de dk esta vez con una introducción de stan lee descubre los hechos esenciales sobre los héroes de marvel comics como el capitán américa spider man y iron man y villanos como thanos loki y kingpin

marvel la enciclopedia prólogo de stan lee hardcover - Dec 28 2022

web buy marvel la enciclopedia prólogo de stan lee by lee stan bray adam dk online on amazon ae at best prices fast and free shipping free returns cash on delivery available on eligible purchase

marvel la enciclopedia prólogo de stan lee amazon com - May 01 2023

web seguir al autor dk marvel la enciclopedia prólogo de stan lee tapa dura 24 septiembre 2019 edición en español de stan lee author adam bray author dk author 775 calificaciones ver todos los formatos y ediciones

marvel la enciclopedia marvel encyclopedia dk lee stan - Jun 21 2022

web marvel la enciclopedia marvel encyclopedia pasta dura 8 octubre 2019 con una introducción de stan lee investigada meticulosamente e increíblemente ilustrada esta magnífica guía del universo marvel presenta más de 1200 personajes atemporales de marvel comics las entradas de los héroes y villanos icónicos incluyen sus más

marvel la enciclopedia prólogo de stan lee google play - Feb 27 2023

web marvel la enciclopedia prólogo de stan lee ebook written by stan lee adam bray dk read this book using google play books app on your pc android ios devices download for offline reading highlight bookmark or take notes while you read marvel la enciclopedia prólogo de stan lee

marvel la enciclopedia prólogo de stan lee ciltli kapak - Jul 03 2023

web marvel la enciclopedia prólogo de stan lee varios autores amazon com tr kitap

marvel la enciclopedia marvel encyclopedia penguin - Aug 24 2022

web oct 8 2019 la enciclopedia spanish edition es la edición en español de marvel encyclopedia y pertenece a la sección de nuestro catálogo reservado para todos aquellos apasionados de los cómics y de los súper héroes de marvel con una introducción de stan lee investigada meticulosamente e increíblemente ilustrada esta magnífica

marvel la enciclopedia prólogo de stan lee hardcover - Mar 31 2023

web sep 24 2019 marvel la enciclopedia prólogo de stan lee lee stan bray adam dk on amazon com free shipping on qualifying offers la enciclopedia prólogo de stan lee

marvel la enciclopedia prólogo de stan lee - Jul 23 2022

web la enciclopedia sobre el gran universo marvel con una introducción de stan lee investigada meticulosamente e increíblemente ilustrada esta magnífica guía del universo marvel presenta más de 1200 personajes atemporales de marvel comics

historic ship models by zu mondfeld wolfram - Mar 03 2022

web find historic ship models by zu mondfeld wolfram at biblio uncommonly good collectible and rare books from uncommonly good booksellers

historic ship models paperback dec 31 1989 amazon ca - Feb 14 2023

web dec 31 1989 evoking the age of wooden ships and iron men mondfeld has produced a highly detailed vade mecum for the period ship modeler using excellent line illustrations graphs and photographs he charts a course through the intricate art of period ship modeling for ships of the age of sail

the ship model builder s assistant paperback book historic ships - Jul 07 2022

web the ship model builder s assistant by charles g davis indispensable for the serious model builder this book offers hobbyists a true understanding of the masting rigging and most important fittings of american clipper ships and packet ships of the great age of sail

historic ship models by mondfeld wolfram zu zu mondfeld - Nov 11 2022

web historic ship models by mondfeld wolfram zu and a great selection of related books art and collectibles available now at abebooks co uk

historic ship models paperback 1989 biblio - May 05 2022

web find the best prices on historic ship models by wolfram zu mondfeld at biblio paperback 1989 sterling 9780806957333

models historic ships abebooks - May 17 2023

web historic ship models by wolfram zu mondfeld and a great selection of related books art and collectibles available now at abebooks com

historic ship models paperback wolfram zu mondfeld - Dec 12 2022

web buy historic ship models by wolfram zu mondfeld at mighty ape nz highly detailed with excellent line illustrations graphs and photographs there is maritime history on every page

historic ship models by zu mondfeld wolfram amazon com au - Jun 18 2023

web this book is very informative about the construction of a ship so you can have an idea of how to build a model of one even if you are not interested in building a model this book is packed with drawings on the workings of a ship this book was bought used but still in pretty good condition

historic ship models paperback april 1 2005 amazon ca - Jan 13 2023

web apr 1 2005 this book is chalk full of all aspects of ship and boat model fittings and details lots and lots of drawings to illustrate these and at a size and scale where the detail can be fully seen and with text to provide perspective

editions of historic ship models by wolfram zu mondfeld - Jun 06 2022

web editions for historic ship models 1402721862 paperback published in 2005 0806957336 paperback published in 1989 0806957328 hardcover published in

historic ship models paperback april 1 2005 amazon com - Sep 21 2023

web apr 1 2005 more than 2 500 photographs detailed diagrams intricate drawings and easy to follow plans fill every page

of this invaluable sourcebook for making model ships it s simply breathtaking rich in historical facts about real ships that sailed the seas from 3000 b c to the 19th century and generously informative

[historic ship models abebooks](#) - Apr 16 2023

web paperback condition new new copy customer service guaranteed historic model ships from scratch robertson scott published by nexus special interest swanley 1998 1998 seller andrew barnes books military melbourne melbourne vic
historic ship models amazon in - Apr 04 2022

web amazon in buy historic ship models book online at best prices in india on amazon in read historic ship models book reviews author details and more at amazon in free delivery on qualified orders historic ship models paperback import 1 october 1989 by wolfram zu mondfeld author

historic ship models by wolfram zu mondfeld open library - Aug 20 2023

web apr 1 2005 created by an anonymous user imported from amazon com record historic ship models by wolfram zu mondfeld april 1 2005 sterling edition paperback in english

historic ship models first edition abebooks - Sep 09 2022

web sequel to the book model ships from scratch by the same author this volume contains instructions on building model ships from scratch using advanced techniques it is aimed at both beginner and amateur modelmakers

the built up ship model paperback book dover publ historic ships - Aug 08 2022

web this is the 272 page dover publications reprint of publication number twenty five of the marine research society salem ma 1933 the built up ship model is a highly detailed superbly illustrated manual introduces serious model

historic ship models hardcover january 1 1985 amazon com - Jul 19 2023

web hardcover january 1 1985 gathers information on the hulls riggings sails machinery and flags of old ships looks at the history of shipbuilding and offers tips on making accurate historic models book recommendations author interviews editors picks and more read it now

historic ship models by wolfram zu mondfeld goodreads - Mar 15 2023

web more than 2 500 photographs detailed diagrams intricate drawings and easy to follow plans fill every page of this invaluable sourcebook for making model ships it s simply breathtaking rich in historical facts about real ships that sailed the seas from 3000 b c to the 19th century and generously informative

[historic ship models textbook buyback paperback printed](#) - Oct 10 2022

web an excellent ship modelling book covering all aspects of planning and building model sailing ships one of several excellent books on ship model building that are essential to learn the art of ship model building is describes the features parts and rigging of sailing ships across several centuries with lots of illustrations

historic ship models by mondfeld wolfram zu amazon com - Oct 22 2023

web dec 31 1989 using excellent line illustrations graphs and photographs he charts a course through the intricate art of period ship modeling for ships of the age of sail additionally there is maritime history on virtually every page

annabelle aiden science stories for curious kids facebook - Dec 26 2021

web worlds within us how did our universe form annabelle wonders to aiden luckily the friendly tardigrade tom answers by taking the children on their biggest adventure yet

annabelle aiden worlds within us 3 amazon com - May 11 2023

web oct 16 2017 annabelle aiden wonder luckily the friendly tardigrade tom answers by taking the children on their biggest adventure yet soaring through space and time they

worlds within us annabelle aiden - Apr 10 2023

web select the department you want to search in

[worlds within us annabelle aiden](#) - Jul 13 2023

web worlds within us how did our universe form annabelle wonders to aiden luckily the friendly tardigrade tom answers by taking the children on their biggest adventure yet

our books annabelle aiden - Nov 24 2021

annabelle and aiden worlds within us universe youtube - Apr 29 2022

web this is book number 3 in the annabelle aiden series 2 annabelle aiden oh the things we believed paperback 10 95 5
annabelle aiden sapiens our

[annabelle aiden worlds within us secular homeschooler](#) - Jul 01 2022

web jun 30 2020 annabelle aiden worlds within us ebook becker j r amazon ca kindle store

annabelle aiden worlds within us kindle edition amazon ca - May 31 2022

web mar 11 2021 annabelle and aiden worlds within us kids read aloud story about the universe science and philosophy the book is written by joseph becker and illustrated

annabelle aiden worlds within us 3 amazon com - Aug 14 2023

web oct 27 2017 readers will learn how we each hold a part of the universe inside us and are far more special interconnected and larger than we may think buy our books

annabelle aiden worlds within us amazon com au - Jan 27 2022

web there s worlds within us you would not believe everyone that was and that ever will be are all within you and came from the stars that s just how big and amazing you are

annabelle aiden worlds within us paperback amazon ca - Mar 09 2023

web buy annabelle aiden worlds within us by becker j r isbn 9780997806656 from amazon s book store everyday low prices and free delivery on eligible orders

annabelle aiden worlds within us paperback children s - Mar 29 2022

web readers will learn how we each hold a part of the universe inside us and are far more special interconnected and larger than we may think buy our books personally

annabelle aiden worlds within us hardcover abebooks - Nov 05 2022

web annabelle aiden wonder luckily the friendly tardigrade tom answers by taking the children on their biggest adventure yet soaring through space and time they witness the

[annabelle aiden worlds within us paperback barnes noble](#) - Sep 03 2022

web buy annabelle aiden worlds within us by j r becker online at alibris we have new and used copies available in 2 editions starting at 9 25 shop now

home annabelle aiden - Jun 12 2023

web worlds within us how did our universe form annabelle wonders to aiden luckily the friendly tardigrade tom answers by taking the children on their biggest adventure yet

[annabelle aiden worlds within us hardcover](#) 16 oct 2017 - Feb 08 2023

web annabelle aiden worlds within us ebook becker j r amazon in kindle store

annabelle aiden worlds within us kindle edition amazon in - Jan 07 2023

web arama yapmak istediğiniz kategoriye seçin

annabelle aiden worlds within us by j r becker alibris - Aug 02 2022

web how did our universe form annabelle wonders to aiden luckily the friendly tardigrade tom answers by taking the children on their biggest adventure yet soaring through

annabelle aiden worlds within us 3 softcover abebooks - Feb 25 2022

web select the department you want to search in

annabelle aiden worlds within us kağıt kapak amazon com tr - Dec 06 2022

web annabelle aiden wonder luckily the friendly tardigrade tom answers by taking the children on their biggest adventure yet soaring through space and time they witness the

annabelle aiden worlds within us by joseph raphael becker - Oct 04 2022

web oct 27 2017 annabelle wonders to aiden luckily the friendly tardigrade tom answers by taking the children on their biggest adventure yet soaring through space and time

