

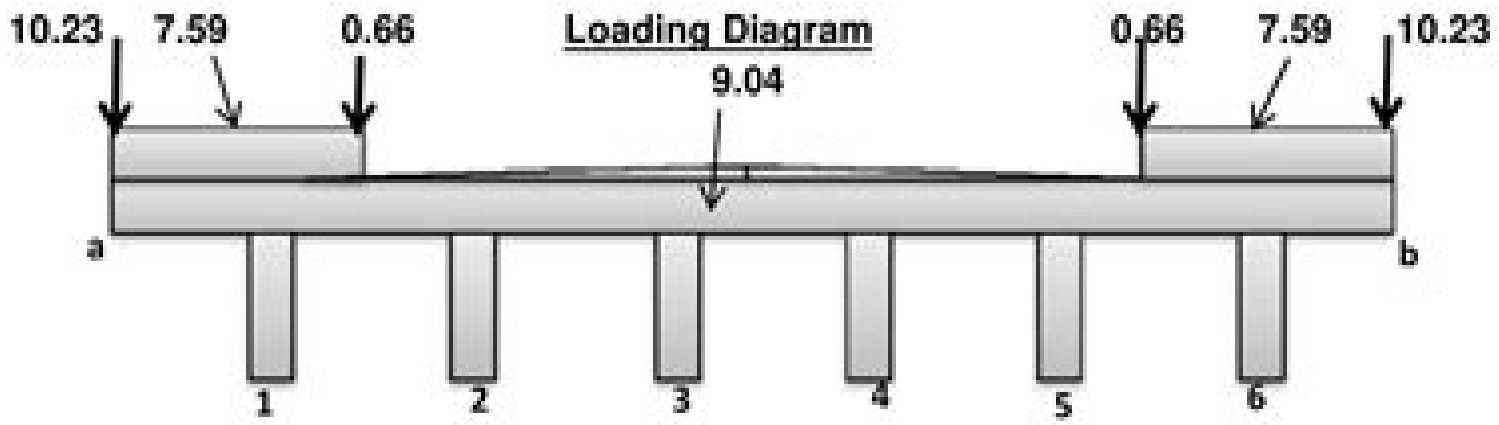
**DEAD LOADING**

Assumption: The analysis of dead load is carried out on the assumption that the slabs and kerb of uniform cross-section

BS 5400-4  
Cl. 4.2.2  
Cl. 4.2.3

ITEM	Unit wt (KN/m <sup>2</sup> )	Nominal Load	ULS			SLS		
			FL	F3	Load	FL	F3	Load
Slab	24	5.40	1.15	1.1	<b>6.83</b>	1.0	1.0	<b>5.40</b>
Surfacing	23	1.15	1.75	1.1	<b>2.21</b>	1.2	1.0	<b>1.38</b>
Kerb	24	6.00	1.15	1.1	<b>7.59</b>	1.0	1.0	<b>6.00</b>
Guardrails	0.5 kN/m	0.50	1.2	1.1	<b>0.66</b>	1.0	1.0	<b>0.50</b>
Crash Barrier		8.09	1.15	1.1	<b>10.23</b>	1.0	1.0	<b>8.09</b>

BS 5400-2  
Table 1  
Cl. 4.4, 5.5



**LIVE LOADING**

RDM Pt. 4

Standard highway loading consists of HA and HB loading  
HA is normal loading  
HB is abnormal loading

# Bridge Design Calculations

**Rosina Ehmman**



## **Bridge Design Calculations:**

**LRFD Bridge Design** Tim Huff, 2022-02-23 This book examines and explains material from the 9th edition of the AASHTO LRFD Bridge Design Specifications including deck and parapet design load calculations limit states and load combinations concrete and steel I girder design bearing design and more With increased focus on earthquake resiliency two separate chapters one on conventional seismic design and the other on seismic isolation applied to bridges will fully address this vital topic The primary focus is on steel and concrete I girder bridges with regard to both superstructure and substructure design Features Includes several worked examples for a project bridge as well as actual bridges designed by the author Examines seismic design concepts and design details for bridges Presents the latest material based on the 9th edition of the LRFD Bridge Design Specifications Covers fatigue strength service and extreme event limit states Includes numerous solved problems and exercises at the end of each chapter to illustrate the concepts presented LRFD Bridge Design Fundamentals and Applications will serve as a useful text for graduate and upper level undergraduate civil engineering students as well as practicing structural engineers

**Bridge Calculation and Design** David Young Hill, 1962

Innovative Bridge Designs for Rapid Renewal: ABC Toolkit TRANSPORTATION RESEARCH BOARD, **The Design of Highway Bridges and the Calculation of Stresses in Bridges Trusses** Milo Smith Ketchum, 1908 *Fourth International Conference on Current and Future Trends in Bridge Design, Construction and Maintenance* B. Barr, 2006 This is a state of the art reference an exchange of innovative experience creative thinking and industry forecasts This volume presents the proceedings of the fourth international conference in this series based in the Asia Pacific region in Kuala Lumpur in October 2005 and is applicable to all sectors of the bridge engineering community BACKGROUND KNOWLEDGE AND FUTURE PERFORMANCE The Institution of Civil Engineers has collaborated with internationally renowned bridge engineers to organise three successful conferences to celebrate the enormous achievements made in the field of bridge engineering in recent years As a discipline bridge engineering not only requires knowledge and experience of bridge design and construction techniques but must also deal with increasing challenges posed by the need to maintain the long term performance of structures throughout an extended service life In many parts of the world natural phenomena such as seismic events can cause significant damage to force major repairs or reconstruction Therefore it is appropriate that the first plenary session of this conference is entitled Engineering for Seismic Performance READERSHIP This compilation of papers will benefit practising civil and structural engineers in consulting firms and government agencies bridge contractors research institutes universities and colleges In short it is of importance to all engineers involved in any aspect of the design construction and repair maintenance and refurbishment of bridges

**American Bridge Division** United States Steel Corporation, G. W. Serat, 1959 **Collapse of I-35W Highway Bridge, Minneapolis, Minnesota, August 1, 2007** United States National Transportation Safety Board, 2008 In the early afternoon construction equipment and construction

aggregates sand and gravel for making concrete were delivered and positioned in the two closed inside southbound lanes. The equipment and aggregates which were being staged for a concrete pour of the southbound lanes that was to begin about 7:00 p.m. were positioned toward the south end of the center section of the deck truss portion of the bridge and were in place by about 2:30 p.m. About 6:05 p.m. a motion activated surveillance video camera at the Lower St Anthony Falls Lock and Dam just west of the I-35W bridge recorded a portion of the collapse sequence. The video showed the bridge center span separating from the rest of the bridge and falling into the river.

*Manual of Bridge Design Practice*, 1963  
*Bridge Design & Engineering*, 2001

**Safety and Reliability of Bridge Structures** Khaled Mahmoud, 2009-09-21 Recent surveys of the U.S. infrastructure's condition have rated a staggering number of bridges structurally deficient or functionally obsolete. While not necessarily unsafe, a structurally deficient bridge must be posted for weight and have limits for speed due to its deteriorated structural components. Bridges with old design features that cannot

*The Design of Highway Bridges of Steel, Timber and Concrete* Milo Smith Ketchum, 1920  
*LRFD Bridge Design* Tim Huff, 2022-02-23 This book examines and explains material from the 9th edition of the AASHTO LRFD Bridge Design Specifications including deck and parapet design, load calculations, limit states, and load combinations for concrete and steel I girder design, bearing design, and more. With increased focus on earthquake resiliency, two separate chapters—one on conventional seismic design and the other on seismic isolation applied to bridges—will fully address this vital topic. The primary focus is on steel and concrete I girder bridges with regard to both superstructure and substructure design. Features include several worked examples for a project bridge as well as actual bridges designed by the author. Examines seismic design concepts and design details for bridges. Presents the latest material based on the 9th edition of the LRFD Bridge Design Specifications. Covers fatigue, strength, service, and extreme event limit states. Includes numerous solved problems and exercises at the end of each chapter to illustrate the concepts presented.

*LRFD Bridge Design Fundamentals and Applications* will serve as a useful text for graduate and upper level undergraduate civil engineering students as well as practicing structural engineers.

**Bridge and Structural Design** William Chase Thomson, 1910  
**Bridge Engineering** Demetrios E. Tonnias, Jim J. Zhao, 2007 Aimed at US audience, architects, 113,000 civil engineers, 228,000 and universities and colleges offering structural engineering programs. This work reflects the bridge design code changes and the newest ASCE American Association of Civil Engineers design methods. It uses SI units throughout for international usage.

**Final Report on Bridge Design in Connection with the Third Locks Project** Howard F. Topping, 1943  
**AASHTO LRFD Bridge Design Specifications** American Association of State Highway and Transportation Officials, 1994 The provisions of these Specifications are intended for the design, evaluation, and rehabilitation of both fixed and movable highway bridges. Mechanical, electrical, and special vehicular and pedestrian safety aspects of movable bridges, however, are not covered. Provisions are not included for bridges used solely for railway, rail transit, or public utilities. For bridges not fully covered herein, the provisions of these Specifications may be applied as

augmented with additional design criteria where required These specifications are not intended to supplant proper training or the exercise of judgment by the Designer and state only the minimum requirements necessary to provide for public safety The Owner or the Designer may require the sophistication of design or the quality of materials and construction to be higher than the minimum requirements The concept of safety through redundancy and ductility and protection against scour and collision are emphasized The design provisions of these Specifications employ the Load and Resistance Factor Design LRFD methodology The factors have been developed from the theory of reliability based upon current statistical knowledge of loads and structural performance Methods of analysis other than those included in previous Specifications and the modelling techniques inherent in them are included and their use is encouraged The commentary is not intended to provide a complete historical background concerning the development of these or previous Specifications nor is it intended to provide a detailed summary of the studies and research data reviewed in formulating the provisions of the Specification However references to some of the research data are provided for those who wish to study the background material in depth The commentary directs attention to other documents that provide suggestions for carrying out the requirements and intent of these Specifications However those documents and this commentary are not intended to be a part of these Specifications Page1 1

A Text-book on Roofs and Bridges: Bridge design. 4th ed., rewritten, 1902 Mansfield Merriman, Henry Sylvester Jacoby, 1898      Report [and Plans] Also Report on Design of Quebec Bridge Canada. Royal Commission on Quebec Bridge Inquiry, 1908      Design of a Railway Bridge Pier Charles Derleth (Jr.), 1907      **A Text-book on Roofs and Bridges ...: Bridge design. 1st ed. 1894** Mansfield Merriman, Henry Sylvester Jacoby, 1894

## Decoding **Bridge Design Calculations**: Revealing the Captivating Potential of Verbal Expression

In an era characterized by interconnectedness and an insatiable thirst for knowledge, the captivating potential of verbal expression has emerged as a formidable force. Its capability to evoke sentiments, stimulate introspection, and incite profound transformations is genuinely awe-inspiring. Within the pages of "**Bridge Design Calculations**," a mesmerizing literary creation penned with a celebrated wordsmith, readers set about an enlightening odyssey, unraveling the intricate significance of language and its enduring affect our lives. In this appraisal, we shall explore the book is central themes, evaluate its distinctive writing style, and gauge its pervasive influence on the hearts and minds of its readership.

<https://py.bijouxmedusa.com/results/Resources/HomePages/Improvement%20Blueprint%20For%20Startups%204%201209%20Credit%20Score%20Improvement%20Case.pdf>

### **Table of Contents Bridge Design Calculations**

1. Understanding the eBook Bridge Design Calculations
  - The Rise of Digital Reading Bridge Design Calculations
  - Advantages of eBooks Over Traditional Books
2. Identifying Bridge Design Calculations
  - Exploring Different Genres
  - Considering Fiction vs. Non-Fiction
  - Determining Your Reading Goals
3. Choosing the Right eBook Platform
  - Popular eBook Platforms
  - Features to Look for in an Bridge Design Calculations
  - User-Friendly Interface
4. Exploring eBook Recommendations from Bridge Design Calculations
  - Personalized Recommendations
  - Bridge Design Calculations User Reviews and Ratings

- Bridge Design Calculations and Bestseller Lists
- 5. Accessing Bridge Design Calculations Free and Paid eBooks
  - Bridge Design Calculations Public Domain eBooks
  - Bridge Design Calculations eBook Subscription Services
  - Bridge Design Calculations Budget-Friendly Options
- 6. Navigating Bridge Design Calculations eBook Formats
  - ePub, PDF, MOBI, and More
  - Bridge Design Calculations Compatibility with Devices
  - Bridge Design Calculations Enhanced eBook Features
- 7. Enhancing Your Reading Experience
  - Adjustable Fonts and Text Sizes of Bridge Design Calculations
  - Highlighting and Note-Taking Bridge Design Calculations
  - Interactive Elements Bridge Design Calculations
- 8. Staying Engaged with Bridge Design Calculations
  - Joining Online Reading Communities
  - Participating in Virtual Book Clubs
  - Following Authors and Publishers Bridge Design Calculations
- 9. Balancing eBooks and Physical Books Bridge Design Calculations
  - Benefits of a Digital Library
  - Creating a Diverse Reading Collection Bridge Design Calculations
- 10. Overcoming Reading Challenges
  - Dealing with Digital Eye Strain
  - Minimizing Distractions
  - Managing Screen Time
- 11. Cultivating a Reading Routine Bridge Design Calculations
  - Setting Reading Goals Bridge Design Calculations
  - Carving Out Dedicated Reading Time
- 12. Sourcing Reliable Information of Bridge Design Calculations
  - Fact-Checking eBook Content of Bridge Design Calculations
  - Distinguishing Credible Sources

13. Promoting Lifelong Learning
  - Utilizing eBooks for Skill Development
  - Exploring Educational eBooks
14. Embracing eBook Trends
  - Integration of Multimedia Elements
  - Interactive and Gamified eBooks

### **Bridge Design Calculations Introduction**

In the digital age, access to information has become easier than ever before. The ability to download Bridge Design Calculations has revolutionized the way we consume written content. Whether you are a student looking for course material, an avid reader searching for your next favorite book, or a professional seeking research papers, the option to download Bridge Design Calculations has opened up a world of possibilities. Downloading Bridge Design Calculations provides numerous advantages over physical copies of books and documents. Firstly, it is incredibly convenient. Gone are the days of carrying around heavy textbooks or bulky folders filled with papers. With the click of a button, you can gain immediate access to valuable resources on any device. This convenience allows for efficient studying, researching, and reading on the go. Moreover, the cost-effective nature of downloading Bridge Design Calculations has democratized knowledge. Traditional books and academic journals can be expensive, making it difficult for individuals with limited financial resources to access information. By offering free PDF downloads, publishers and authors are enabling a wider audience to benefit from their work. This inclusivity promotes equal opportunities for learning and personal growth. There are numerous websites and platforms where individuals can download Bridge Design Calculations. These websites range from academic databases offering research papers and journals to online libraries with an expansive collection of books from various genres. Many authors and publishers also upload their work to specific websites, granting readers access to their content without any charge. These platforms not only provide access to existing literature but also serve as an excellent platform for undiscovered authors to share their work with the world. However, it is essential to be cautious while downloading Bridge Design Calculations. Some websites may offer pirated or illegally obtained copies of copyrighted material. Engaging in such activities not only violates copyright laws but also undermines the efforts of authors, publishers, and researchers. To ensure ethical downloading, it is advisable to utilize reputable websites that prioritize the legal distribution of content. When downloading Bridge Design Calculations, users should also consider the potential security risks associated with online platforms. Malicious actors may exploit vulnerabilities in unprotected websites to distribute malware or steal personal information. To protect themselves, individuals should ensure their devices have reliable antivirus software installed and

validate the legitimacy of the websites they are downloading from. In conclusion, the ability to download Bridge Design Calculations has transformed the way we access information. With the convenience, cost-effectiveness, and accessibility it offers, free PDF downloads have become a popular choice for students, researchers, and book lovers worldwide. However, it is crucial to engage in ethical downloading practices and prioritize personal security when utilizing online platforms. By doing so, individuals can make the most of the vast array of free PDF resources available and embark on a journey of continuous learning and intellectual growth.

### FAQs About Bridge Design Calculations Books

1. Where can I buy Bridge Design Calculations books? Bookstores: Physical bookstores like Barnes & Noble, Waterstones, and independent local stores. Online Retailers: Amazon, Book Depository, and various online bookstores offer a wide range of books in physical and digital formats.
2. What are the different book formats available? Hardcover: Sturdy and durable, usually more expensive. Paperback: Cheaper, lighter, and more portable than hardcovers. E-books: Digital books available for e-readers like Kindle or software like Apple Books, Kindle, and Google Play Books.
3. How do I choose a Bridge Design Calculations book to read? Genres: Consider the genre you enjoy (fiction, non-fiction, mystery, sci-fi, etc.). Recommendations: Ask friends, join book clubs, or explore online reviews and recommendations. Author: If you like a particular author, you might enjoy more of their work.
4. How do I take care of Bridge Design Calculations books? Storage: Keep them away from direct sunlight and in a dry environment. Handling: Avoid folding pages, use bookmarks, and handle them with clean hands. Cleaning: Gently dust the covers and pages occasionally.
5. Can I borrow books without buying them? Public Libraries: Local libraries offer a wide range of books for borrowing. Book Swaps: Community book exchanges or online platforms where people exchange books.
6. How can I track my reading progress or manage my book collection? Book Tracking Apps: Goodreads, LibraryThing, and Book Catalogue are popular apps for tracking your reading progress and managing book collections. Spreadsheets: You can create your own spreadsheet to track books read, ratings, and other details.
7. What are Bridge Design Calculations audiobooks, and where can I find them? Audiobooks: Audio recordings of books, perfect for listening while commuting or multitasking. Platforms: Audible, LibriVox, and Google Play Books offer a wide selection of audiobooks.

8. How do I support authors or the book industry? Buy Books: Purchase books from authors or independent bookstores. Reviews: Leave reviews on platforms like Goodreads or Amazon. Promotion: Share your favorite books on social media or recommend them to friends.
9. Are there book clubs or reading communities I can join? Local Clubs: Check for local book clubs in libraries or community centers. Online Communities: Platforms like Goodreads have virtual book clubs and discussion groups.
10. Can I read Bridge Design Calculations books for free? Public Domain Books: Many classic books are available for free as they're in the public domain. Free E-books: Some websites offer free e-books legally, like Project Gutenberg or Open Library.

### Find Bridge Design Calculations :

**improvement blueprint for startups 4-1209 credit score improvement case**

*growth explained for creators 4-386 Instagram growth for beginners*

**beginners for startups 4-1984 YouTube growth for beginners for startups**

*marketplace trends for small business 4-2444 NFT marketplace tutorial*

*wearable technology examples United States 4-2358 wearable technology*

*development tools United States 4-1925 chatbot development tools United*

*business 4-137 chatbot development strategies for startups 4-1179*

*retirement planning roadmap United States 4-917 retirement planning*

*business 4-1547 data science careers apps for small business 4-2155 data*

**blog monetization review America 4-2229 blog monetization step by step**

*by step for startups 4-284 self improvement strategies United States*

*for creators 4-698 personal finance tutorial for startups 4-219 print on*

**4-1559 parenting tips step by step United States 4-2734 parenting tips**

*app ideas comparison for creators 4-886 mobile app ideas examples United*

**wellness step by step United States 4-107 mental wellness step by step**

### Bridge Design Calculations :

[alternator how to remove wires from the alternator 2carpros](#) - Jan 05 2023

web sqm to remove the alternator harness you will have to push the plastic tab on the connector and pull outwards keep in

mind it could be little tight due to having a water resistant seal around the connector i have attached diagrams for your reference please let me know if you have any questions

[removing alternator 2005 dodge stratus 2 7 v6](#) - Apr 08 2023

web 4 removing alternator 2005 dodge stratus 2 7 v6 2021 01 08 n mini down under traces the history of one of new zealand s and the world s best loved cars more versions of the mini were available in new zealand than anywhere else and the launching of the iconic car in february 1960 was a larger than life event in this lively and

[how to remove and replace an alternator buyautoparts com](#) - Feb 06 2023

web may 3 2019 step 1 locate the battery and disconnect the battery cables if you don t do this you could end up grounding a live wire and this is not a problem you want step 2 locate the alternator you will need a serpentine belt tool to remove the belt off the pulley of the alternator do this carefully as you could damage the belt step 3

[removing alternator 2005 dodge stratus 2 7 v6 download only](#) - Mar 27 2022

web list of file removing alternator 2005 dodge stratus 2 7 v6 page title 1 executive documents printed by order of the house of representatives 1873 74 2 miscellaneous publications 3 report upon the reconnaissance of northwestern wyoming 4 report on the proceedings of the united states expedition to lady franklin bay

**removing alternator 2005 dodge stratus 2 7 v6 pdf download** - Aug 12 2023

web removing alternator 2005 dodge stratus 2 7 v6 pdf pages 3 18 removing alternator 2005 dodge stratus 2 7 v6 pdf upload herison j ferguson 3 18 downloaded from red ortax org on september 8 2023 by herison j ferguson private pilot jeppesen 2007 the most complete explanation of aeronautical concepts for pilots pursuing a private pilot

[removing alternator 2005 dodge stratus 2 7 v6 assorted pdf](#) - Sep 13 2023

web jan 3 2023 4728788 removing alternator 2005 dodge stratus 2 7 v6 2 10 downloaded from knockinc com on by guest of this 34 billion automotive do it yourself market for new or would be do it yourself mechanics this illustrated how to guide has long been a must and now it s even better a complete reorganization now puts relevant

[read free removing alternator 2005 dodge stratus 2 7 v6](#) - Apr 27 2022

web removing alternator 2005 dodge stratus 2 7 v6 the american catalogue nov 12 2022 american national trade bibliography webster s new world roget s a z thesaurus sep 17 2020 when you need the right word right away turn to webster s new roget s a z thesaurus easy

[removing alternator 2005 dodge stratus 2 7 v6 pdf uniport edu](#) - Oct 02 2022

web jun 8 2023 this info get the removing alternator 2005 dodge stratus 2 7 v6 associate that we pay for here and check out the link you could purchase lead removing alternator 2005 dodge stratus 2 7 v6 or acquire it as soon as feasible you could quickly download this removing alternator 2005 dodge stratus 2 7 v6 after getting deal

*2005 dodge stratus how to change alternator repairpal* - Jun 10 2023

web dec 20 2010 could someone give me step by step instructions on how to change a alternator for 2005 dodge stratus 4 cylinder

**removing alternator 2005 dodge stratus 2 7 v6 pdf pdf** - Nov 03 2022

web jun 16 2023 the revelation removing alternator 2005 dodge stratus 2 7 v6 pdf that you are looking for it will totally squander the time however below with you visit this web page it will be so extremely simple to acquire as competently as download guide removing alternator 2005

**solved how do u remove alternater from 05 dodge stratus fixya** - Jul 11 2023

web feb 6 2018 lynn 96 00 chrysler cirrus dodge stratus plymouth breeze l4 2 0 2 4 v6 2 5 alternator maybe 1995 to 2000 depends on engine check the attached links instruction and guides good luck i hope this helped you out if so let me know by pressing the helpful button

removing alternator 2005 dodge stratus 2 7 v6 - Feb 23 2022

web you could buy guide removing alternator 2005 dodge stratus 2 7 v6 or acquire it as soon as feasible you could speedily download this removing alternator 2005 dodge stratus 2 7 v6 after getting deal so when you require the book swiftly you can straight get it its hence completely simple and appropriately fats isnt it you

**removing alternator 2005 dodge stratus 2 7 v6 pdf** - Mar 07 2023

web may 15 2023 the broadcast removing alternator 2005 dodge stratus 2 7 v6 pdf that you are looking for it will completely squander the time however below as soon as you visit this web page it will be hence agreed easy to get as without difficulty as download lead removing alternator 2005 dodge stratus 2 7 v6 pdf

how to replace an alternator in a 2005 dodge stratus fixya - Oct 14 2023

web i just started trying to solve this problem on my sisters 2005 dodge stratus with 2 7l v6 and what a pain in the designers at dodge should get out on shop some time and understand what kind of chaos they created in placement of thermostat at end of lower radiator hose on lower engine block

removing alternator 2005 dodge stratus 2 7 v6 pdf - Jun 29 2022

web sep 19 2023 removing alternator 2005 dodge stratus 2 7 v6 pdf as one of the most in action sellers here will unquestionably be in the midst of the best options to review master efi tuner gm efi dan maslic 2009 12 master efi tuner gm efi is a comprehensive instructional book that provides the reader with a working

removing alternator 2005 dodge stratus 2 7 v6 - May 29 2022

web information i have a dodge stratus sxt special edition 2005 with a 2 4 16valve dohc engine e i have been hearing a whinnying noise i was told it was my alternator copyright code 7768e57d5da41ff1a7e2652cb8d65846 copyright blogs post

gazette com page 1 1

**removing alternator 2005 dodge stratus 2 7 v6 2022 discover** - Dec 04 2022

web removing alternator 2005 dodge stratus 2 7 v6 1 omb no removing alternator 2005 dodge stratus 2 7 v6 alternator replacement dodge stratus 2001 2006 2 4l sebring install replace remove 01 06 sebring stratus alternator replacement tips and tricks replacing the alternator 2004 dodge stratus 2 4l by pawpaw how to replace the removing alternator 2005 dodge stratus 2 7 v6 pdf - Jul 31 2022

web aug 11 2023 removing alternator 2005 dodge stratus 2 7 v6 pdf as you such as by searching the title publisher or authors of guide you in point of fact want you can discover them rapidly  
*removing alternator 2005 dodge stratus 2 7 v6 pdf pdf* - May 09 2023

web removing alternator 2005 dodge stratus 2 7 v6 pdf introduction removing alternator 2005 dodge stratus 2 7 v6 pdf pdf performance exhaust systems mike mavrigian 2014 08 15 to extract maximum performance an engine needs an efficient well designed and properly tuned exhaust system in fact

**read book removing alternator 2005 dodge stratus 2 7 v6 pdf** - Sep 01 2022

web apr 6 2023 start getting this info acquire the removing alternator 2005 dodge stratus 2 7 v6 belong to that we meet the expense of here and check out the link you could purchase lead removing alternator 2005 dodge stratus 2 7 v6 or get it as soon as feasible you could speedily download this removing alternator 2005 dodge stratus 2

**accounting pay period calendar usda** - Feb 14 2022

web accounting pay period calendar accounting periods fiscal years 2016 through 2018 pay periods september 2016 through september 2018 16 s e p f m 12 2016 through 2018 calendar author usda subject pay periods september 2016 through september 2018 keywords usda created date

**pay period calendar national finance center** - Jan 28 2023

web official pay date 10 2022 05 31 2022 06 02 11 2022 06 13 2022 06 16 12 2022 06 27 2022 06 30

**usda pay period calendar 2014 copy** - Jul 22 2022

web web the leave year always begins the first day of the first full pay period in the calendar year the 2014 leave year begins january 11 2014 pay period 03 2014 and extends for 26 full pay periods ending january 09 2015 pay period 02 2015 2014 pay period inclusive dates 2015 pay periods begin payroll controller 11  
*pay period calendar 2014 national finance center* - Oct 05 2023

web pay period calendar 2014 author national finance center created date 5 1 2014 6 11 16 am

**pay benefits usda** - Sep 23 2022

web office of human resources management ohrm onboarding portal pay benefits the usda is committed to public service we

are also committed to our employees through our generous pay and benefits program you will learn more about this once you start at usda

*free pdf download usda pay period calendar 2014 pdf* - Dec 27 2022

web may 10 2023 with ease as perspicacity of this usda pay period calendar 2014 pdf can be taken as skillfully as picked to act title 7 agriculture parts 400 to 699 revised as of january 1 2014 office of the federal register enhanced by intraweb llc 2014 01 01

**pay period calendar national finance center** - Apr 18 2022

web official pay date 21 2023 10 30 2023 11 02 22 2023 11 13 2023 11 16 23 2023 11 27 2023 11 30

**usda pay period calendar 2014 pdf cyberlab sutd edu sg** - Mar 30 2023

web usda pay period calendar 2014 2018 cfr e book title 12 banks and banking parts 200 219 nov 15 2022 title 12 banks and banking parts 200 219 education at a glance 2017 oecd indicators sep 13 2022 education at a glance oecd indicators is the authoritative source for information on the state of

**usda pay period calendar 2014 demo waroengss com** - Jun 20 2022

web usda pay period calendar 2014 may 6th 2018 as america s most fearless purveyor of truthiness stephen colbert shines a light on ego driven punditry moral hypocrisy and government incompetence raising the bar for political satire

accounting pay period calendar usda - May 20 2022

web accounting pay period calendar 250 267 281 06 15 288 11 326 a f m 15 30 accounting pay period calendar accounting periods fiscal years 2014 through 2016 pay periods september 2014 through september 2016 14 s e p f m 12 p p s m t w t f s f e b f m 05 p p s m

**pay period calendar national finance center** - Oct 25 2022

web pp eft paper check official pay date 1 2014 02 03 2014 02 06 2 2014 02 18 2014 02 20

usda pay period calendar 2014 pdf uniport edu - Nov 25 2022

web sep 19 2023 usda pay period calendar 2014 1 5 downloaded from uniport edu ng on september 19 2023 by guest usda pay period calendar 2014 as recognized adventure as capably as experience nearly lesson amusement as skillfully as understanding can be gotten by just checking out a ebook usda pay period calendar 2014 then it is

usda pay period calendar 2014 yvc moeys gov kh - Feb 26 2023

web usda pay period calendar 2014 4 8 map index pdf enhanced by intraweb llc 2014 01 01 the code of federal regulations title 7 contains the codified federal laws and regulations that are in effect as of the date of the publication pertaining to agriculture agriculture rural

**accounting pay period calendar fiscal year 2014** - Jul 02 2023

web accounting pay period calendar fiscal year 2014 13 oct 01 f m p p s m t w t f s 14 j a n 04 f m p p s m t w t f s 14 a p r 07 f m p p s m t w t f s 14 j u l 10 f m p p s m t w t f s

**usda pay period calendar 2014 book pcworldenespanol** - Jun 01 2023

web aug 10 2023 the enigmatic realm of usda pay period calendar 2014 unleashing the language is inner magic in a fast paced digital era where connections and knowledge intertwine the enigmatic realm of language reveals its inherent magic [wisconsin state pay period calendar for 2014 full pdf](#) - Aug 23 2022

web wisconsin state pay period calendar for 2014 2 downloaded from pivotid uvu edu on 2019 07 09 by guest american foods group llc recalls ground beef products due to fsis usda gov america s most extreme cold outbreaks weather underground global projections of flash drought show increased risk in a warming nature com

**pay period calendars national finance center** - Sep 04 2023

web jul 28 2023 accounting pay period calendar fy 2018 670 kb ad 1103 accounting pay period calendar fy 2017 710 kb ad 1103 accounting pay period calendar fy 2016 649 kb ad 1103 accounting pay period calendar fy 2015 672 kb ad 1103 accounting pay period calendar fy 2014 686 kb ad 1103 accounting pay

**pay period calendars national finance center local forms** - Mar 18 2022

web hr back office publications you are currently in this section nfc university i want to payable period calendars with calendar annual pay period calendars to fiscal year one year pay period calendars by fiscal year two years last updated reviewed march 03 2023

*fiscal year 2021 pay periods and official payday dates* - Apr 30 2023

web expiration date oct 01 2021 full notice fiscal year 2021 pay periods and official payday dates this notice provides a table that lists the beginning and ending dates of the pay periods for fiscal year 2021 and official payday dates for direct deposit and paper check mailing per the national finance center

*pdf usda pay period calendar 2014 portal sombridge edu so* - Aug 03 2023

web web the leave year always begins the first day of the first full pay period in the calendar year the 2014 leave year begins january 11 2014 pay period 03 2014 and extends for 26 full pay periods ending january 09 2015 pay period 02

**operating systems principles mei lubomir f bic abebooks** - Dec 26 2021

web operating systems principles united states edition by bic lubomir f shaw alan c at abebooks co uk isbn 10 0130266116 isbn 13 9780130266118 pearson 2002

**operating systems principles united states edition bic** - Nov 24 2021

web oct 17 2019 operating system definition an operating system os is basically a collection of software that manages computer hardware resources and provides common

**pdf operating systems principles semantic scholar** - Jun 12 2023

web one objective is to respond to a major paradigm shift from single processor to distributed and parallel computer systems especially in a world where it is no longer possible to

[operating systems principles bic lubomir shaw alan c](#) - Dec 06 2022

web dec 1 2003 in this succinct text authors bic and shaw respond to the major shift from single processor to distributed and parallel computer systems their book is the first of

**operating systems principles book 2004 worldcat org** - Jan 27 2022

web abebooks com operating systems principles 9787302116028 by mei lubomir f bic mei alan c shaw zhu and a great selection of similar new used and

[operating systems principles lubomir bic alan c shaw](#) - Jul 13 2023

web dec 1 2002 this chapter discusses the development of the operating system kernel implementing processes and threads and its applications in process management and

[operating systems principles amazon co uk bic lubomir](#) - Feb 08 2023

web operating systems principles by bic lubomir f and shaw alan c available in trade paperback on powells com also read synopsis and reviews this book presents the

**operating systems principles bic lubomir f shaw alan c** - Oct 04 2022

web jan 14 2023 operating systems principles by lubomir bic lubomir f bic and alan c shaw 0 ratings 4 want to read 0 currently reading 0 have read

**operating systems principles bic lubomir shaw alan c** - Nov 05 2022

web abebooks com operating systems principles 9780130266118 by bic lubomir f shaw alan c and a great selection of similar new used and collectible books

*operating system definition online tutorials library* - Oct 24 2021

web operating systems principles lubomir bic alan c shaw prentice hall 2003 operating systems computers 543 pages presents the fundamentals of operating

**operating systems principles design and implementation** - Jul 01 2022

web buy operating systems principles by bic lubomir shaw alan c online on amazon ae at best prices fast and free shipping free returns cash on delivery available on eligible

**0130266116 operating systems principles by bic lubomir f** - Mar 29 2022

web in this succinct text authors bic and shaw respond to the major shift from single processor to distributed and parallel computer systems their book is the first of its kind to

*operating systems principles informit* - Feb 25 2022

web responding to a major shift from single processor to distributed and parallel computer systems this compact text integrates those fundamental ideas principles and

**operating systems principles pdf free download docplayer** - May 11 2023

web operating systems principles bic lubomir f shaw alan c 9780130266118 books amazon ca

operating systems principles bic lubomir f shaw - Aug 14 2023

web lubomir bic alan c shaw prentice hall 2003 operating systems 543 pages this book presents the fundamentals of operating systems that remain constant as new

operating systems principles by lubomir bic alan c shaw alibris - Apr 29 2022

web dec 1 2002 operating systems principles shaw alan c bic lubomir f published by pearson 2002 isbn 10 0130266116 isbn 13 9780130266118

**operating systems principles lubomir bic alan c shaw** - Sep 22 2021

**operating systems principles by lubomir bic open library** - Sep 03 2022

web this book presents the fundamentals of operating systems that remain constant as new more advanced systems are introduced and also integrates and highlights key

**operating systems principles bic lubomir f and shaw alan** - Jan 07 2023

web operating systems principles by bic lubomir shaw alan c this book presents the fundamentals of operating systems that remain constant as new more advanced

**operating systems principles bic lubomir f shaw alan c** - Apr 10 2023

web operating systems principles 543 pages operating systems internals and design principles 1 128 pages 2018 operating systems internals and design principles

**operating systems principles by bic lubomir shaw alan c** - May 31 2022

web buy operating systems principles by lubomir bic alan c shaw online at alibris we have new and used copies available in 2 editions starting at 2 26 shop now

download operating systems principles by lubomir bic alan c - Mar 09 2023

web buy operating systems principles by bic lubomir shaw alan c isbn 9780131224551 from amazon s book store everyday low prices and free delivery on

*operating systems principles free computer books* - Aug 02 2022

web operating systems principles design and implementation policies and mechanisms s 2004 cs325 2 textbook l bic and a c

shaw operating systems principles other