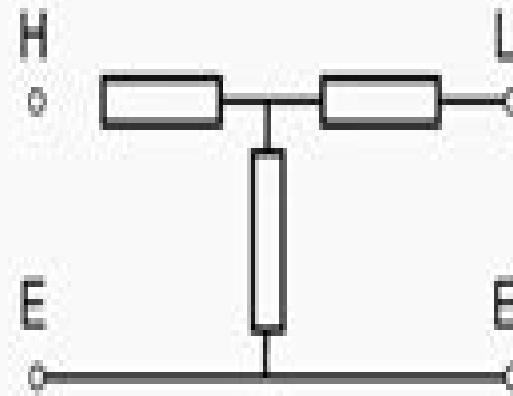
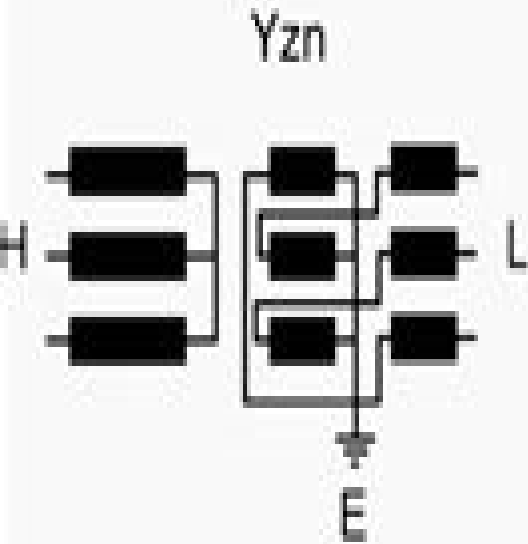


Connection group

Zero-sequence circuit

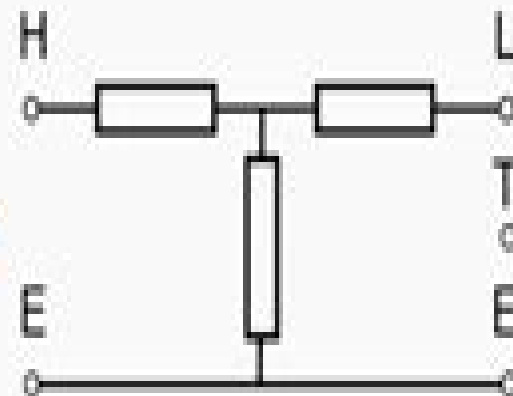
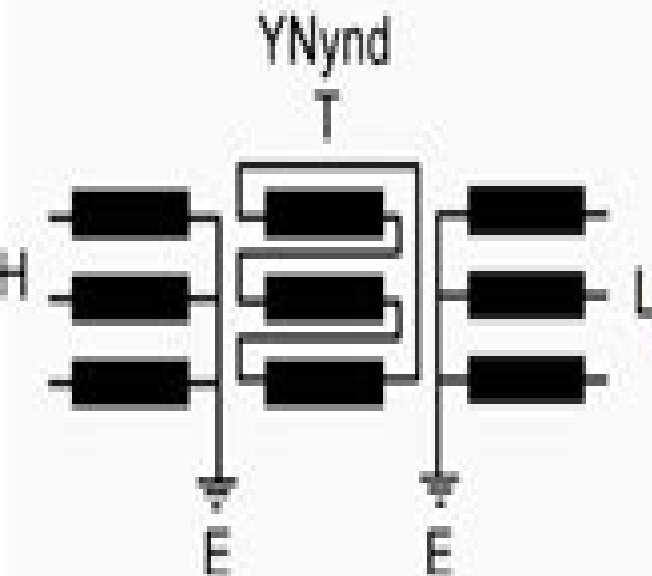
Zero-sequence values



$$Z_{0HL} = \infty$$

$$Z_{0HE} = \infty$$

$$Z_{0LE} = 0.1z$$



$$Z_{0HL} = 0.85z$$

$$Z_{0HE} = 0.75z$$

$$Z_{0LE} = 0.90z$$

Calculating Zero Sequence Impedance For Power Transformers

Jessica J Manson



Calculating Zero Sequence Impedance For Power Transformers:

Getting the books **Calculating Zero Sequence Impedance For Power Transformers** now is not type of inspiring means. You could not unaided going once books accretion or library or borrowing from your links to way in them. This is an unquestionably simple means to specifically get lead by on-line. This online notice Calculating Zero Sequence Impedance For Power Transformers can be one of the options to accompany you later than having extra time.

It will not waste your time. take on me, the e-book will utterly vent you additional business to read. Just invest little get older to gain access to this on-line notice **Calculating Zero Sequence Impedance For Power Transformers** as competently as evaluation them wherever you are now.

https://py.bijouxmedusa.com/public/virtual-library/HomePages/raptor_medicine_surgery_and_rehabilitation.pdf

Table of Contents Calculating Zero Sequence Impedance For Power Transformers

1. Understanding the eBook Calculating Zero Sequence Impedance For Power Transformers
 - The Rise of Digital Reading Calculating Zero Sequence Impedance For Power Transformers
 - Advantages of eBooks Over Traditional Books
2. Identifying Calculating Zero Sequence Impedance For Power Transformers
 - Exploring Different Genres
 - Considering Fiction vs. Non-Fiction
 - Determining Your Reading Goals
3. Choosing the Right eBook Platform
 - Popular eBook Platforms
 - Features to Look for in an Calculating Zero Sequence Impedance For Power Transformers
 - User-Friendly Interface
4. Exploring eBook Recommendations from Calculating Zero Sequence Impedance For Power Transformers
 - Personalized Recommendations
 - Calculating Zero Sequence Impedance For Power Transformers User Reviews and Ratings
 - Calculating Zero Sequence Impedance For Power Transformers and Bestseller Lists

5. Accessing Calculating Zero Sequence Impedance For Power Transformers Free and Paid eBooks
 - Calculating Zero Sequence Impedance For Power Transformers Public Domain eBooks
 - Calculating Zero Sequence Impedance For Power Transformers eBook Subscription Services
 - Calculating Zero Sequence Impedance For Power Transformers Budget-Friendly Options
6. Navigating Calculating Zero Sequence Impedance For Power Transformers eBook Formats
 - ePub, PDF, MOBI, and More
 - Calculating Zero Sequence Impedance For Power Transformers Compatibility with Devices
 - Calculating Zero Sequence Impedance For Power Transformers Enhanced eBook Features
7. Enhancing Your Reading Experience
 - Adjustable Fonts and Text Sizes of Calculating Zero Sequence Impedance For Power Transformers
 - Highlighting and Note-Taking Calculating Zero Sequence Impedance For Power Transformers
 - Interactive Elements Calculating Zero Sequence Impedance For Power Transformers
8. Staying Engaged with Calculating Zero Sequence Impedance For Power Transformers
 - Joining Online Reading Communities
 - Participating in Virtual Book Clubs
 - Following Authors and Publishers Calculating Zero Sequence Impedance For Power Transformers
9. Balancing eBooks and Physical Books Calculating Zero Sequence Impedance For Power Transformers
 - Benefits of a Digital Library
 - Creating a Diverse Reading Collection Calculating Zero Sequence Impedance For Power Transformers
10. Overcoming Reading Challenges
 - Dealing with Digital Eye Strain
 - Minimizing Distractions
 - Managing Screen Time
11. Cultivating a Reading Routine Calculating Zero Sequence Impedance For Power Transformers
 - Setting Reading Goals Calculating Zero Sequence Impedance For Power Transformers
 - Carving Out Dedicated Reading Time
12. Sourcing Reliable Information of Calculating Zero Sequence Impedance For Power Transformers
 - Fact-Checking eBook Content of Calculating Zero Sequence Impedance For Power Transformers
 - Distinguishing Credible Sources
13. Promoting Lifelong Learning

- Utilizing eBooks for Skill Development
 - Exploring Educational eBooks
14. Embracing eBook Trends
- Integration of Multimedia Elements
 - Interactive and Gamified eBooks

Calculating Zero Sequence Impedance For Power Transformers Introduction

In today's digital age, the availability of Calculating Zero Sequence Impedance For Power Transformers books and manuals for download has revolutionized the way we access information. Gone are the days of physically flipping through pages and carrying heavy textbooks or manuals. With just a few clicks, we can now access a wealth of knowledge from the comfort of our own homes or on the go. This article will explore the advantages of Calculating Zero Sequence Impedance For Power Transformers books and manuals for download, along with some popular platforms that offer these resources. One of the significant advantages of Calculating Zero Sequence Impedance For Power Transformers books and manuals for download is the cost-saving aspect. Traditional books and manuals can be costly, especially if you need to purchase several of them for educational or professional purposes. By accessing Calculating Zero Sequence Impedance For Power Transformers versions, you eliminate the need to spend money on physical copies. This not only saves you money but also reduces the environmental impact associated with book production and transportation. Furthermore, Calculating Zero Sequence Impedance For Power Transformers books and manuals for download are incredibly convenient. With just a computer or smartphone and an internet connection, you can access a vast library of resources on any subject imaginable. Whether you're a student looking for textbooks, a professional seeking industry-specific manuals, or someone interested in self-improvement, these digital resources provide an efficient and accessible means of acquiring knowledge. Moreover, PDF books and manuals offer a range of benefits compared to other digital formats. PDF files are designed to retain their formatting regardless of the device used to open them. This ensures that the content appears exactly as intended by the author, with no loss of formatting or missing graphics. Additionally, PDF files can be easily annotated, bookmarked, and searched for specific terms, making them highly practical for studying or referencing. When it comes to accessing Calculating Zero Sequence Impedance For Power Transformers books and manuals, several platforms offer an extensive collection of resources. One such platform is Project Gutenberg, a nonprofit organization that provides over 60,000 free eBooks. These books are primarily in the public domain, meaning they can be freely distributed and downloaded. Project Gutenberg offers a wide range of classic literature, making it an excellent resource for literature enthusiasts. Another popular platform for Calculating Zero Sequence Impedance For Power Transformers books and manuals is Open Library. Open Library is an initiative of the Internet Archive, a non-profit

organization dedicated to digitizing cultural artifacts and making them accessible to the public. Open Library hosts millions of books, including both public domain works and contemporary titles. It also allows users to borrow digital copies of certain books for a limited period, similar to a library lending system. Additionally, many universities and educational institutions have their own digital libraries that provide free access to PDF books and manuals. These libraries often offer academic texts, research papers, and technical manuals, making them invaluable resources for students and researchers. Some notable examples include MIT OpenCourseWare, which offers free access to course materials from the Massachusetts Institute of Technology, and the Digital Public Library of America, which provides a vast collection of digitized books and historical documents. In conclusion, Calculating Zero Sequence Impedance For Power Transformers books and manuals for download have transformed the way we access information. They provide a cost-effective and convenient means of acquiring knowledge, offering the ability to access a vast library of resources at our fingertips. With platforms like Project Gutenberg, Open Library, and various digital libraries offered by educational institutions, we have access to an ever-expanding collection of books and manuals. Whether for educational, professional, or personal purposes, these digital resources serve as valuable tools for continuous learning and self-improvement. So why not take advantage of the vast world of Calculating Zero Sequence Impedance For Power Transformers books and manuals for download and embark on your journey of knowledge?

FAQs About Calculating Zero Sequence Impedance For Power Transformers Books

1. Where can I buy Calculating Zero Sequence Impedance For Power Transformers books? Bookstores: Physical bookstores like Barnes & Noble, Waterstones, and independent local stores. Online Retailers: Amazon, Book Depository, and various online bookstores offer a wide range of books in physical and digital formats.
2. What are the different book formats available? Hardcover: Sturdy and durable, usually more expensive. Paperback: Cheaper, lighter, and more portable than hardcovers. E-books: Digital books available for e-readers like Kindle or software like Apple Books, Kindle, and Google Play Books.
3. How do I choose a Calculating Zero Sequence Impedance For Power Transformers book to read? Genres: Consider the genre you enjoy (fiction, non-fiction, mystery, sci-fi, etc.). Recommendations: Ask friends, join book clubs, or explore online reviews and recommendations. Author: If you like a particular author, you might enjoy more of their work.
4. How do I take care of Calculating Zero Sequence Impedance For Power Transformers books? Storage: Keep them away from direct sunlight and in a dry environment. Handling: Avoid folding pages, use bookmarks, and handle them with clean hands. Cleaning: Gently dust the covers and pages occasionally.

5. Can I borrow books without buying them? Public Libraries: Local libraries offer a wide range of books for borrowing. Book Swaps: Community book exchanges or online platforms where people exchange books.
6. How can I track my reading progress or manage my book collection? Book Tracking Apps: Goodreads, LibraryThing, and Book Catalogue are popular apps for tracking your reading progress and managing book collections. Spreadsheets: You can create your own spreadsheet to track books read, ratings, and other details.
7. What are Calculating Zero Sequence Impedance For Power Transformers audiobooks, and where can I find them? Audiobooks: Audio recordings of books, perfect for listening while commuting or multitasking. Platforms: Audible, LibriVox, and Google Play Books offer a wide selection of audiobooks.
8. How do I support authors or the book industry? Buy Books: Purchase books from authors or independent bookstores. Reviews: Leave reviews on platforms like Goodreads or Amazon. Promotion: Share your favorite books on social media or recommend them to friends.
9. Are there book clubs or reading communities I can join? Local Clubs: Check for local book clubs in libraries or community centers. Online Communities: Platforms like Goodreads have virtual book clubs and discussion groups.
10. Can I read Calculating Zero Sequence Impedance For Power Transformers books for free? Public Domain Books: Many classic books are available for free as they're in the public domain. Free E-books: Some websites offer free e-books legally, like Project Gutenberg or Open Library.

Find Calculating Zero Sequence Impedance For Power Transformers :

[raptor medicine surgery and rehabilitation](#)

[prosthodontic treatment for edentulous patients 13th edition](#)

r56 s

[r sarkar inorganic chemistry](#)

[quantum books for uptu pdf yfehovyxles wordpress](#)

[question papers of diploma in pharmacy examination](#)

[psychology 7th edition in modules](#)

rebecca james biochemistry download

question bank on agriculture for competitive exams neeraj pratap singh

redefining health care creating valuebased competition on results

[renault 460 dxi premium truckandplantcommercials](#)

[pureza bajo presion](#)

[punim seminarik metodat huluntuese aab](#)

[recette moulinex companion](#)

[radio planeta 107 7 lima en vivo online escuchar online](#)

Calculating Zero Sequence Impedance For Power Transformers :

[cole porter song coll v02 2023 videoconvert385 caveon](#) - Sep 01 2022

web cole porter song coll v02 downloaded from videoconvert385 caveon com by guest yareli kael handbook of sepsis springer sports medicine and sports science are

cole porter lyrics songs and albums genius - Jul 11 2023

web about cole porter cole porter 1891 1964 was an american composer and songwriter he began to achieve success in the 1920s and by the 1930s he was one of the major

cole porter song coll v02 oldcove - Oct 02 2022

web cole porter song coll v02 cole porter song coll v02 2 downloaded from oldcove com on 2022 04 24 by guest are making another attempt to summarize the

[category songs written by cole porter wikipedia](#) - Mar 07 2023

web i get a kick out of you i happen to like new york i love paris i love you cole porter song i love you samantha i ve got my eyes on you 1939 song i ve got you under

cole porter song coll v02 book oldcove - Dec 24 2021

web cole porter song coll v02 cole porter song coll v02 2 downloaded from oldcove com on 2022 11 19 by guest author make the treacherous journey into the

best of cole porter part 1 youtube - Jun 10 2023

web feb 27 2012 a musical tribute to cole porter featuring ella fitzgerald mel torme bryan ferry lena horne jody watley and the temptations with

cole porter song coll v02 renewalcc com - Nov 22 2021

web cole porter song coll v02 downloaded from renewalcc com by guest giovanna phelps antiquarian bookman simon and schuster the first book to look at

[cole porter song coll v02 by cole porter](#) - Jul 31 2022

web cole porter song coll v02 by cole porter cole porter songs cole porter listen on deezer music streaming get to know the cole porter songbook npr the plete lyrics of

[cole porter song coll v02 nexgenbattery com](#) - Jan 25 2022

web 2 cole porter song coll v02 2021 12 09 antimicrobial therapy and adjunctive immunotherapy the closing section looks forward to the coming decade discussing

[the music of cole porter 50 classic songs spotify](#) - Aug 12 2023

web various artists compilation 2012 50 songs

[cole porter song coll v02 autoconfig ablogtwatch](#) - Dec 04 2022

web cole porter song coll v02 let s do it cole porter singer s jazz anthology high voice lee evans arranges cole porter the cole porter song book best of cole porter cole

[list of songs by cole porter songfacts](#) - Apr 08 2023

web cole porter song list after all i m only a schoolgirl 1966 anything goes 1934 as i love you 1913 begin the beguine 1935 bingoy eli yale 1910 bridget mcguire 1910

cole porter anthology chronological 1 100 youtube - Feb 06 2023

web the first 100 of a continuously updated chronological list of cole porter songs based on robert kimball s chronology

list of songs written by cole porter wikipedia - Oct 14 2023

web list of songs written by cole porter this list of songs or music related items is incomplete you can help by adding missing items october 2021 a partially complete list of songs

cole porter song coll v02 ws 1 ps2pdf - May 29 2022

web cole porter song coll v02 downloaded from ws 1 ps2pdf com by guest ryker riley post mortem national academies press this practically oriented book provides an up to

[cole porter song coll v02 pdf stage gapinc](#) - Nov 03 2022

web 4 cole porter song coll v02 2022 11 19 women examined the emerging research findings related to the complex relationship of the biological behavioral psychological

cole porter wikipedia - May 09 2023

web among the many album collections of porter songs are the following oscar peterson plays the cole porter songbook 1959 anita o day swings cole porter with billy may

cole porter song coll v02 neurocme med ucla edu - Apr 27 2022

web cole porter song coll v02 is to hand in our digital library an online access to it is set as public therefore you can download it instantly our digital library saves in merged

let s do it let s fall in love wikipedia - Jan 05 2023

web cole porter composer of let s do it let s fall in love let s do it let s fall in love also known as let s do it let s fall in love or

simply let s do it is a popular song

[cole porter song coll v02 pdf projects techhut](#) - Feb 23 2022

web cole porter song coll v02 advanced topics on crystal growth laron syndrome from man to mouse dietary supplement and nonprescription drug consumer protection act

cole porter song coll v02 alpaca awamaki - Jun 29 2022

web 4 cole porter song coll v02 2020 07 02 decades researchers have made impressive progress in understanding the genetics biology and physiology of aging this book

the cole porter song collection volume 2 1937 1958 - Sep 13 2023

web dec 1 2009 p v g composer collection this is the second of a two volume series presenting highlights from the career of cole porter volume two documents 50 songs

cole porter song coll v02 helen e foster gestudy byu edu - Mar 27 2022

web feb 27 2023 cole porter song coll v02 is genial in our digital library an online right of entry to it is set as public in view of that you can download it instantly our digital library

border reminiscences on apple books - Feb 01 2023

web aug 24 2023 full of adventure startling princeton review 1872 the characters depicted in this volume are the most uncouth and original specimens of humanity theological review 1872 it will be even more interesting a hundred years hence the nation 1872 valua

border reminiscences by randolph barnes marcy goodreads - Jun 05 2023

web aug 24 2023 general marcy s 1859 book border reminiscences is a portfolio filled with sketches of life upon the frontier his reminiscences are mostly of the humorous order and depict the odd characters of remote army stations here are described the major of the old régime the braggadocio the eccentric cadet the army belle and the practical

border reminiscences ciltli kapak 12 mayıs 2016 - Sep 08 2023

web arama yapmak istediğiniz kategoriye seçin

editions of border reminiscences by randolph barnes marcy - Mar 02 2023

web editions for border reminiscences kindle edition published in 2015 kindle edition published in 2018 3337335772 paperback published in 2017 1378

[renaissance border images free download on freepik](#) - Mar 22 2022

web renaissance border images images 95 58k collection 1 ads ads ads page 1 of 200 find download free graphic resources for renaissance border 95 000 vectors stock photos psd files free for commercial use high quality images

border reminiscences kağıt kapak 18 ağustos 2010 - Jul 06 2023

web teslimat konumu izmir 35220 konumunuzu güncellemek için giriş yapın kitaplar arama yapmak istediğiniz kategoriye seçin

border reminiscences randolph barnes marcy google books - Sep 27 2022

web border reminiscences randolph barnes marcy bibliobazaar may 12 2016 406 pages 0 reviews reviews aren t verified but google checks for and removes fake content when it s identified

border reminiscences randolph barnes marcy empik com - Apr 22 2022

web książka border reminiscences autorstwa randolph barnes marcy dostępna w sklepie empik com w cenie 128 11 zł przeczytaj recenzję border reminiscences zamów dostawę do dowolnego salonu i zapłać przy odbiorze

border reminiscences kağıt kapak 17 Şubat 2010 - Aug 07 2023

web arama yapmak istediğiniz kategoriye seçin

border reminiscences randolph barnes marcy google books - Jul 26 2022

web border reminiscences randolph barnes marcy harper brothers 1872 frontier and pioneer life 396 pages 0 reviews reviews aren t verified but google checks for and removes fake content when it s identified

border reminiscences by marcy r b colonel very good - Aug 27 2022

web abebooks com border reminiscences original reddish brown cloth 396 pages 8 pages of ads frontis illustrations wear to edges inscribed j alsop with kind regards of the author r b marcy it is believed that the 1872 edition is the 1st edition howes m275 rader 2345 graff 2671

border reminiscences marcy randolph barnes 1812 1887 - Oct 09 2023

web apr 6 2009 border reminiscences by marcy randolph barnes 1812 1887 publication date 1872 topics united states army publisher new york harper brothers collection library of congress americana contributor the library of congress language english ix 11 396 p incl front illus pl 20 cm addeddate 2009 04 06 13 00 19 call number

border reminiscences by randolph barnes marcy goodreads - Nov 29 2022

web sep 12 2013 read 2 reviews from the world s largest community for readers this scarce antiquarian book is a facsimile reprint of the original due to its age it may

border reminiscences by marcy randolph b very good - Dec 31 2022

web border reminiscences marcy randolph b published by harper brothers new york 1872 condition very good conditionhardcover save for later fromkurt gippert bookseller abaa chicago il u s a abebooks seller sinceaugust 8 1998

border reminiscences marcy randolph barnes 1812 1887 - Oct 29 2022

web border reminiscences marcy randolph barnes 1812 1887 amazon com tr Çerez tercihlerinizi seçin alışveriş deneyiminizi geliştirmek hizmetlerimizi sunmak müşterilerin hizmetlerimizi nasıl kullandığını anlayarak iyileştirmeler yapabilmek ve

tanıtımları gösterebilmek için çerezler ve benzeri araçları kullanmaktayız

[border remembrance windows mac linux ps4 ps3 vita](#) - May 24 2022

web link to border remembrance by selecting a button and using the embed code provided more statistics rank 4 289 of 69 571 visits 20 918 3 today last update 9 years ago watchers 30 members articles 2 you may also like view all top games wager roguelike silverquest gaiden roguelike

[border reminiscences marcy randolph b amazon com tr kitap](#) - Apr 03 2023

web border reminiscences marcy randolph b amazon com tr kitap Çerez tercihlerinizi seçin Çerez bildirimimizde ayrıntılı şekilde açıklandığı üzere alışveriş yapmanızı sağlamak alışveriş deneyiminizi iyileştirmek ve hizmetlerimizi sunmak için gerekli olan çerezleri ve benzer araçları kullanırız

border reminiscences marcy randolph barnes 1812 1887 - May 04 2023

web nov 3 2006 border reminiscences by marcy randolph barnes 1812 1887 publication date 1872 topics united states army publisher new york harper brothers collection cdl americana digitizing sponsor msn contributor university of california libraries language english ix 11 396 p incl front illus pl 20 cm

border reminiscences by marcy randolph b u s army fair - Jun 24 2022

web abebooks com border reminiscences 12mo xiii 396 pages 8 pages advertisements frontispiece illustration illustrated brown cloth hardcover with gilt illustrated flag design front cover gilt title on spine cloth edge worn head of and base of the spine and corners light edge wear to cloth extremities brown right front flyleaf removed

renaissance border pictures images and stock photos - Feb 18 2022

web browse 9 800 renaissance border stock photos and images available or search for design border to find more great stock photos and pictures design border sort by most popular vintage ornament set 03 frame and ornament seamless border a group of old black ornate vintage frames set of ornate vector frames

[penny lab answer key krempa 1 the independent variable in](#) - Oct 03 2023

web penny lab answer key a 7 th grade environmental science mrs krempa 1 the independent variable in this experiment was the side of the penny 2 the dependent variable in this experiment was the number of drops on a penny 3 surface tension is what makes water dome on the penny or water domes on the penny because of surface

[how to make gold pennies using science](#) - Jul 20 2022

web sep 21 2018 introduction in this lab you will turn a copper penny into a silver penny and finally into a gold penny but be careful looks can be deceiving during the lab you will see how heated copper attracts zinc and bonds to form a zn cu mixture this is called brass brass is a copper zinc alloy

penny lab answer key docx penny lab answer key course - Mar 28 2023

web penny lab answer key a 7th grade environmental science mrs krempa 1 the independent variable in this experiment was the side of the penny 2 the dependent variable in this experiment was the number of drops on a penny 3

the ultimate guide to chemistry penny lab answers - May 18 2022

web the chemistry penny lab answers the question of whether chemical reactions can change the physical properties of an object such as its color or mass the results of the experiment can vary depending on the type of chemical solution used and the duration of the reactions

chemistry penny lab answers pdf course hero - Aug 21 2022

web view chemistry penny lab answers pdf from financial literacy 40 0530049 at shaw high school chemistry penny lab answers as recognized adventure as skillfully as experience more or less lesson

water drops on a penny flinn sci - Apr 16 2022

web part a rinse a penny in tap water dry thoroughly with a paper towel 2 place the penny on a fresh paper towel 3 fill a beaker with 25 ml of tap water 4 using a pipet slowly drop individual droplets of water onto the surface of the penny 5 count each drop until the water begins to spill over the sides of the penny

lab gold penny lab google docs google sheets - Jun 18 2022

web final mass of each penny post lab questions be sure to complete your data table including observations from the lab and include answers to the following questions 1 what was the

penny isotope lab answers answers for 2023 exams - Mar 16 2022

web penny lab answer key a docest penny lab answer key a 7th grade environmental science mrs krempa 1 the independent variable in this experiment was the side of the penny 2 the dependent variable in this experiment was the number of drops on a penny 3 surface tension is what makes water dome on the penny or

drops on a coin stem library lab - Feb 12 2022

web key questions how many drops of water they think a coin can hold were your predictions correct does it matter if the coin is heads or tails will syrup oil hold more or less drops than water why how is it possible to get so many water drops on a coin what causes the skin on the surface of the big droplet

penny lab flashcards quizlet - Dec 25 2022

web terms in this set 13 what is an alloy a mixture of 2 or more metals or a metal and a nonmetal fused together dissolved in each other when molten low zinc brasses contain how much zinc and how do they form less than 20 zinc easier to form how much zinc do yellow brasses contain 34 37 zinc what other elements do some brasses contain

drops on a penny lab study com - Oct 23 2022

web cite this lesson in this physics lab we will be exploring a property of water known as surface tension we will observe and

study this property by determining how many drops of water will fit on
[penny lab the biology corner](#) - Apr 28 2023

web penny lab how is the surface tension of water affected by soap introduction surface tension refers to water's ability to stick to itself surface tension can be measured and observed by dropping water drop by drop onto a penny the number of water drops that can fit on a penny will surprise you 1

copper penny lab krista nishida copper penny lab studocu - Nov 23 2022

web feb 10 2022 on we were trying to answer for this lab is w s the percent copper of a post 1983 1959 to 1982 copper made up 95 of pennies while tin and zinc made up the remaining 5 however since copper became more expensive the united states treasury took t sion to alter the pennies

drops on a penny experiment stem library lab - Sep 21 2022

web in this activity you ll experience surface tension and cohesion by testing how many drops of water you can you fit on a penny you might be surprised considering pennies are so small there s only one way to find out

[gold penny lab flashcards quizlet](#) - Feb 24 2023

web what was the purpose of the penny lab observe how properties of a metal can change how will copper be changed in terms of its properties by heating the copper with zinc in the presence of a sodium hydroxide naoh solution the zinc replaces the copper in the naoh solution then the zinc diffuses into the copper when heated zinc naoh

drops on a penny lab little bins for little hands - May 30 2023

web oct 3 2023 penny lab experiment let s investigate how many drops of water can fit on a penny grab your purse turn over the couch cushions or break out the piggy bank it s time to find some pennies to experiment with supplies pennies eyedropper or pipette water food coloring makes seeing this in action much easier but is optional small bowls

take a guess science spot - Jun 30 2023

web 1 explain your results from both parts of the experiment in terms of cohesion and surface tension 2 how do your results compare to the other groups in your class provide at least 2 possible reasons for any similarities and differences you identified drops on a penny teacher notes materials

penny lab review flashcards quizlet - Sep 02 2023

web study with quizlet and memorize flashcards containing terms like observations of part 1 observations of part 2 what caused the penny to turned silver was it a chemical or physical change and more

[penny lab soap and surface tension the biology corner](#) - Jan 26 2023

web jun 22 2018 use pennies soap and a pipette to conduct a lab on the surface tension of water this lab is intended to reinforce the principles of the scientific method developing a hypothesis testing a hypothesis and analyzing data

penny lab answer key a docest - Aug 01 2023

web penny lab answer key a 7th grade environmental science 1 the independent variable in this experiment was the side of the penny 2 the dependent variable in this experiment was the number of drops on a penny 3 surface tension is what makes water dome on the penny