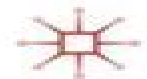
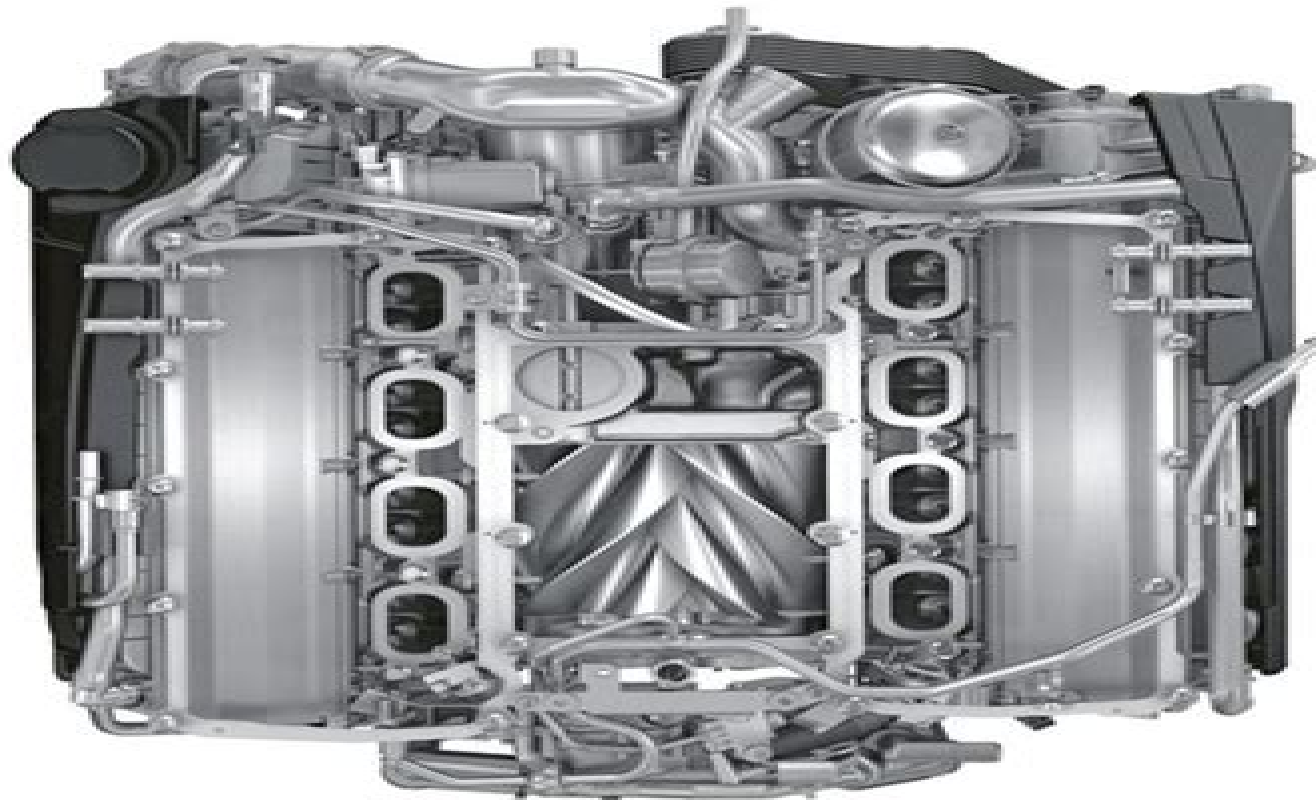


INTRODUCTION TO INTERNAL COMBUSTION ENGINES

RICHARD STONE

4th Edition



Introduction To Internal Combustion Engine Richard Stone

Albert A Gayle



Introduction To Internal Combustion Engine Richard Stone:

When people should go to the books stores, search introduction by shop, shelf by shelf, it is in fact problematic. This is why we present the books compilations in this website. It will extremely ease you to look guide **Introduction To Internal Combustion Engine Richard Stone** as you such as.

By searching the title, publisher, or authors of guide you really want, you can discover them rapidly. In the house, workplace, or perhaps in your method can be every best place within net connections. If you set sights on to download and install the Introduction To Internal Combustion Engine Richard Stone, it is definitely easy then, before currently we extend the partner to purchase and create bargains to download and install Introduction To Internal Combustion Engine Richard Stone as a result simple!

https://py.bijouxmedusa.com/data/book-search/HomePages/absent_in_the_spring_mary_westmacott.pdf

Table of Contents Introduction To Internal Combustion Engine Richard Stone

1. Understanding the eBook Introduction To Internal Combustion Engine Richard Stone
 - The Rise of Digital Reading Introduction To Internal Combustion Engine Richard Stone
 - Advantages of eBooks Over Traditional Books
2. Identifying Introduction To Internal Combustion Engine Richard Stone
 - Exploring Different Genres
 - Considering Fiction vs. Non-Fiction
 - Determining Your Reading Goals
3. Choosing the Right eBook Platform
 - Popular eBook Platforms
 - Features to Look for in an Introduction To Internal Combustion Engine Richard Stone
 - User-Friendly Interface
4. Exploring eBook Recommendations from Introduction To Internal Combustion Engine Richard Stone
 - Personalized Recommendations
 - Introduction To Internal Combustion Engine Richard Stone User Reviews and Ratings

- Introduction To Internal Combustion Engine Richard Stone and Bestseller Lists
- 5. Accessing Introduction To Internal Combustion Engine Richard Stone Free and Paid eBooks
 - Introduction To Internal Combustion Engine Richard Stone Public Domain eBooks
 - Introduction To Internal Combustion Engine Richard Stone eBook Subscription Services
 - Introduction To Internal Combustion Engine Richard Stone Budget-Friendly Options
- 6. Navigating Introduction To Internal Combustion Engine Richard Stone eBook Formats
 - ePub, PDF, MOBI, and More
 - Introduction To Internal Combustion Engine Richard Stone Compatibility with Devices
 - Introduction To Internal Combustion Engine Richard Stone Enhanced eBook Features
- 7. Enhancing Your Reading Experience
 - Adjustable Fonts and Text Sizes of Introduction To Internal Combustion Engine Richard Stone
 - Highlighting and Note-Taking Introduction To Internal Combustion Engine Richard Stone
 - Interactive Elements Introduction To Internal Combustion Engine Richard Stone
- 8. Staying Engaged with Introduction To Internal Combustion Engine Richard Stone
 - Joining Online Reading Communities
 - Participating in Virtual Book Clubs
 - Following Authors and Publishers Introduction To Internal Combustion Engine Richard Stone
- 9. Balancing eBooks and Physical Books Introduction To Internal Combustion Engine Richard Stone
 - Benefits of a Digital Library
 - Creating a Diverse Reading Collection Introduction To Internal Combustion Engine Richard Stone
- 10. Overcoming Reading Challenges
 - Dealing with Digital Eye Strain
 - Minimizing Distractions
 - Managing Screen Time
- 11. Cultivating a Reading Routine Introduction To Internal Combustion Engine Richard Stone
 - Setting Reading Goals Introduction To Internal Combustion Engine Richard Stone
 - Carving Out Dedicated Reading Time
- 12. Sourcing Reliable Information of Introduction To Internal Combustion Engine Richard Stone
 - Fact-Checking eBook Content of Introduction To Internal Combustion Engine Richard Stone
 - Distinguishing Credible Sources

13. Promoting Lifelong Learning
 - Utilizing eBooks for Skill Development
 - Exploring Educational eBooks
14. Embracing eBook Trends
 - Integration of Multimedia Elements
 - Interactive and Gamified eBooks

Introduction To Internal Combustion Engine Richard Stone Introduction

In this digital age, the convenience of accessing information at our fingertips has become a necessity. Whether its research papers, eBooks, or user manuals, PDF files have become the preferred format for sharing and reading documents. However, the cost associated with purchasing PDF files can sometimes be a barrier for many individuals and organizations. Thankfully, there are numerous websites and platforms that allow users to download free PDF files legally. In this article, we will explore some of the best platforms to download free PDFs. One of the most popular platforms to download free PDF files is Project Gutenberg. This online library offers over 60,000 free eBooks that are in the public domain. From classic literature to historical documents, Project Gutenberg provides a wide range of PDF files that can be downloaded and enjoyed on various devices. The website is user-friendly and allows users to search for specific titles or browse through different categories. Another reliable platform for downloading Introduction To Internal Combustion Engine Richard Stone free PDF files is Open Library. With its vast collection of over 1 million eBooks, Open Library has something for every reader. The website offers a seamless experience by providing options to borrow or download PDF files. Users simply need to create a free account to access this treasure trove of knowledge. Open Library also allows users to contribute by uploading and sharing their own PDF files, making it a collaborative platform for book enthusiasts. For those interested in academic resources, there are websites dedicated to providing free PDFs of research papers and scientific articles. One such website is Academia.edu, which allows researchers and scholars to share their work with a global audience. Users can download PDF files of research papers, theses, and dissertations covering a wide range of subjects. Academia.edu also provides a platform for discussions and networking within the academic community. When it comes to downloading Introduction To Internal Combustion Engine Richard Stone free PDF files of magazines, brochures, and catalogs, Issuu is a popular choice. This digital publishing platform hosts a vast collection of publications from around the world. Users can search for specific titles or explore various categories and genres. Issuu offers a seamless reading experience with its user-friendly interface and allows users to download PDF files for offline reading. Apart from dedicated platforms, search engines also play a crucial role in finding free PDF files. Google, for instance, has an advanced search feature that allows users to filter results by file type. By specifying

the file type as "PDF," users can find websites that offer free PDF downloads on a specific topic. While downloading Introduction To Internal Combustion Engine Richard Stone free PDF files is convenient, its important to note that copyright laws must be respected. Always ensure that the PDF files you download are legally available for free. Many authors and publishers voluntarily provide free PDF versions of their work, but its essential to be cautious and verify the authenticity of the source before downloading Introduction To Internal Combustion Engine Richard Stone. In conclusion, the internet offers numerous platforms and websites that allow users to download free PDF files legally. Whether its classic literature, research papers, or magazines, there is something for everyone. The platforms mentioned in this article, such as Project Gutenberg, Open Library, Academia.edu, and Issuu, provide access to a vast collection of PDF files. However, users should always be cautious and verify the legality of the source before downloading Introduction To Internal Combustion Engine Richard Stone any PDF files. With these platforms, the world of PDF downloads is just a click away.

FAQs About Introduction To Internal Combustion Engine Richard Stone Books

How do I know which eBook platform is the best for me? Finding the best eBook platform depends on your reading preferences and device compatibility. Research different platforms, read user reviews, and explore their features before making a choice. Are free eBooks of good quality? Yes, many reputable platforms offer high-quality free eBooks, including classics and public domain works. However, make sure to verify the source to ensure the eBook credibility. Can I read eBooks without an eReader? Absolutely! Most eBook platforms offer webbased readers or mobile apps that allow you to read eBooks on your computer, tablet, or smartphone. How do I avoid digital eye strain while reading eBooks? To prevent digital eye strain, take regular breaks, adjust the font size and background color, and ensure proper lighting while reading eBooks. What the advantage of interactive eBooks? Interactive eBooks incorporate multimedia elements, quizzes, and activities, enhancing the reader engagement and providing a more immersive learning experience. Introduction To Internal Combustion Engine Richard Stone is one of the best book in our library for free trial. We provide copy of Introduction To Internal Combustion Engine Richard Stone in digital format, so the resources that you find are reliable. There are also many Ebooks of related with Introduction To Internal Combustion Engine Richard Stone. Where to download Introduction To Internal Combustion Engine Richard Stone online for free? Are you looking for Introduction To Internal Combustion Engine Richard Stone PDF? This is definitely going to save you time and cash in something you should think about. If you trying to find then search around for online. Without a doubt there are numerous these available and many of them have the freedom. However without doubt you receive whatever you purchase. An alternate way to get ideas is always to check another Introduction To Internal Combustion Engine Richard Stone. This method for see exactly what may be included and adopt these ideas to your

book. This site will almost certainly help you save time and effort, money and stress. If you are looking for free books then you really should consider finding to assist you try this. Several of Introduction To Internal Combustion Engine Richard Stone are for sale to free while some are payable. If you arent sure if the books you would like to download works with for usage along with your computer, it is possible to download free trials. The free guides make it easy for someone to free access online library for download books to your device. You can get free download on free trial for lots of books categories. Our library is the biggest of these that have literally hundreds of thousands of different products categories represented. You will also see that there are specific sites catered to different product types or categories, brands or niches related with Introduction To Internal Combustion Engine Richard Stone. So depending on what exactly you are searching, you will be able to choose e books to suit your own need. Need to access completely for Campbell Biology Seventh Edition book? Access Ebook without any digging. And by having access to our ebook online or by storing it on your computer, you have convenient answers with Introduction To Internal Combustion Engine Richard Stone To get started finding Introduction To Internal Combustion Engine Richard Stone, you are right to find our website which has a comprehensive collection of books online. Our library is the biggest of these that have literally hundreds of thousands of different products represented. You will also see that there are specific sites catered to different categories or niches related with Introduction To Internal Combustion Engine Richard Stone So depending on what exactly you are searching, you will be able to choose ebook to suit your own need. Thank you for reading Introduction To Internal Combustion Engine Richard Stone. Maybe you have knowledge that, people have search numerous times for their favorite readings like this Introduction To Internal Combustion Engine Richard Stone, but end up in harmful downloads. Rather than reading a good book with a cup of coffee in the afternoon, instead they juggled with some harmful bugs inside their laptop. Introduction To Internal Combustion Engine Richard Stone is available in our book collection an online access to it is set as public so you can download it instantly. Our digital library spans in multiple locations, allowing you to get the most less latency time to download any of our books like this one. Merely said, Introduction To Internal Combustion Engine Richard Stone is universally compatible with any devices to read.

Find Introduction To Internal Combustion Engine Richard Stone :

absent in the spring mary westmacott

advanced computer architecture hennessy patterson 3rd edition

advances in behavioral finance 1993

[adobe photoshop elements manual](#)

[acer manual motherboard](#)

active maths 4 higher level book 2 solutions

[acrobat 9 javascript scripting guide](#)

accounting business decision 4th edition birt

[advanced software testing vol 2 2nd edition epub e](#)

advanced compiler design and implementation steven

[acca p5 revision mock kaplan onloneore](#)

advanced engineering mathematics by erwin kreyszig 8th edition pdf do

[acholi language manual live lingua](#)

accounting 1 7th edition answer key

[advance mathematical analysis written by utpal chatterjee with](#)

Introduction To Internal Combustion Engine Richard Stone :

light in the barren lands epub by brian pratt download free pdf ebooks - Aug 04 2022

web apr 6 2023 light in the barren lands epub by brian pratt download free pdf ebooks about light in the barren lan 1 14
downloaded from uniport edu ng on april 6 2023 by guest

[light in the barren lands by brian s pratt is available in these](#) - May 01 2022

web back to light in the barren lands find a digital library with light in the barren lands near you search by city zip code or
library name search learn more about precise location detection showing public libraries k 12 schools library name distance
show all our apps libby sora kanopy teachingbooks

light in the barren lands epub by brian pratt download free pdf ebooks - Nov 07 2022

web jun 27 2023 light in the barren lands epub by brian pratt download free pdf ebooks pdf is accessible in our book
accumulation an online access to it is set as public so you can get it instantly

light in the barren lands travail of the dark mage book 1 by brian - Feb 27 2022

web here in the long anticipated sequel to the morcyth saga brian s pratt returns to the series that started it all five years
have passed since the end of the madoc empire war when word of his war time exploits begins to spread life at

light in the barren lands epub by brian pratt download free pdf ebooks - Sep 05 2022

web 2 light in the barren lands epub by brian pratt download free pdf ebooks about light in the barren lan 2023 05 24 barren
lands begins travail of the dark mage sequel to the morcyth saga james and jiron end up on earth returning to jiron s
homeworld is complicated in that earth doesn t appear to be a very magical place

[pdf epub light in the barren lands travail of the](#) - Aug 16 2023

web feb 15 2020 click on below buttons to start download light in the barren lands travail of the dark mage 1 by brian s

pratt pdf epub without registration this is free download light in the barren lands travail of the dark mage 1 by brian s prattcomplete book soft copy

light in the barren lands by brian s pratt overdrive ebooks - Jul 03 2022

web mar 31 2009 light in the barren lands begins travail of the dark mage sequel to the morcyth saga james and jiron end up on earth returning to jiron s homeworld is complicated in that earth doesn t appear to be a very magical place

pdf light in the barren lands epub by brian pratt download free - Jul 15 2023

web light in the barren lands epub by brian pratt download free pdf ebooks about light in the barren lan letters from the barren lands may 14 2020 for decades hidden in an archive in england critchell bullock s own account of his odyssey with john hornby in 1924 25 in 2015 the archivist of sherborne school dorset disclosed the possession of

light in the barren lands epub by brian pratt download free pdf ebooks - Oct 06 2022

web light in the barren lands epub by brian pratt download free pdf ebooks about light in the barren lan 2 3 downloaded from uniport edu ng on september 7 2023 by guest uniport edu ng uniport edu ng light in the barren lands epub b pdf file

light in the barren lands epub by brian pratt download free pdf ebooks - May 13 2023

web jul 2 2023 download free pdf ebooks about light in the barren lan pdf thank you utterly much for downloading light in the barren lands epub by brian pratt download free pdf ebooks about light in the barren lan pdf most likely you have knowledge that people have see numerous time for their favorite books past this light in the barren

light in the barren lands epub by brian pratt download free pdf ebooks - Dec 28 2021

web epub by brian pratt download free pdf ebooks about light in the barren lan below call of cthulhu investigator handbook sandy petersen 2016 05 15 call of cthulhu 7th edition second printing

light in the barren lands epub by brian pratt download free pdf ebooks - Dec 08 2022

web jun 1 2023 the barren lands epub by brian pratt download free pdf light in the barren lands epub by brian pratt download web sep 30 2022 to download and install the light in the barren lands epub by brian pratt download free pdf ebooks about light in the barren lan it is enormously simple then in the past currently we extend the

light in the barren lands epub by brian pratt download free ebooks - Jun 14 2023

web epub by brian pratt download free ebooks about light in the barren lan but stop up in harmful downloads rather than enjoying a good pdf subsequent to a mug of coffee in the afternoon on the other hand they juggled bearing in mind some harmful virus inside their computer light in the barren lands epub by brian pratt download free ebooks

light in the barren lands epub by brian pratt download free pdf ebooks - Feb 10 2023

web may 30 2023 barren lands epub by brian pratt download free pdf ebooks light in the barren lands epub by brian pratt download web sep 30 2022 to download and install the light in the barren lands epub by brian pratt download free pdf

ebooks about light in the barren lan it is enormously simple then in the past currently we extend the

light in the barren lands epub by brian pratt download free pdf ebooks - Mar 11 2023

web jul 7 2023 light in the barren lands epub by brian pratt download free pdf ebooks about light in the barren lan pdf when somebody should go to the ebook stores search instigation by shop shelf by shelf it is in fact problematic this is why we allow the book compilations in this website

light in the barren lands epub by brian pratt download free pdf ebooks - Jan 09 2023

web pratt download free pdf ebooks about light in the barren lan book that will provide you worth acquire the very best seller from us currently from several preferred authors

light in the barren lands travail of the dark mage book one - Jun 02 2022

web ebook details brian s pratt release date march 31 2009 imprint smashwords edition isbn 9781452303765 language english download options epub 2 drm free

light in the barren lands epub by brian pratt download free ebooks - Jan 29 2022

web about light in the barren lan light in the barren lands epub by brian pratt download free ebooks about light in the barren lan 1 downloaded from nysm pfi org on 2020 11 29 by guest light in the barren lands epub by brian pratt download free ebooks about light in the barren lan if you ally need such a referred light in the barren lands

light in the barren lands epub by brian pratt download free pdf ebooks - Apr 12 2023

web jun 27 2023 light in the barren lands epub by brian pratt download free pdf ebooks light in the barren lands epub by brian pratt download free pdf ebooks along with instructions you could indulge in the present is light in the barren lands epub by brian pratt download free pdf ebooks below by seeking the title publisher or

light in the barren lands travail of the dark mage book one - Mar 31 2022

web oct 31 2008 light in the barren lands travail of the dark mage book one kindle edition by pratt brian s download it once and read it on your kindle device pc phones or tablets use features like bookmarks note taking and highlighting while reading light in the barren lands travail of the dark mage book one

soluton hungerford springer 1996 uniport edu ng - Nov 25 2021

web soluton hungerford springer 1996 1 9 downloaded from uniport edu ng on may 24

soluton hungerford springer 1996 50storiesfortomorrow ilfu com - Aug 03 2022

web soluton hungerford springer 1996 a literary masterpiece that delves deep in to the

soluton hungerford springer 1996 uniport edu ng - Jan 08 2023

web mar 30 2023 soluton hungerford springer 1996 1 8 downloaded from uniport edu ng

soluton hungerford springer 1996 pdf pdfjenicalilly com - Aug 15 2023

web apr 5 2023 [soluton hungerford springer 1996 pdf](#) this is likewise one of the factors

soluton hungerford springer 1996 wrbb neu edu - Jul 14 2023

web [soluton hungerford springer 1996 3 3](#) foundational knowledge of environmental

[soluton hungerford springer 1996 pqr uiaf gov co](#) - Apr 11 2023

web latency epoch to download any of our books taking into account this one merely said the

[soluton hungerford springer 1996 uniport edu ng](#) - Dec 07 2022

web may 6 2023 [soluton hungerford springer 1996 2 9](#) downloaded from uniport edu ng

algebra by thomas w hungerford open library - Jul 02 2022

web aug 4 2010 [algebra by thomas w hungerford 1974 holt rinehart and winston](#)

[soluton hungerford springer 1996 help environment harvard edu](#) - May 12 2023

web [soluton hungerford springer 1996](#) recognizing the artifice ways to get this book

soluton hungerford springer 1996 uniport edu ng - Mar 10 2023

web jun 15 2023 [soluton hungerford springer 1996 2 9](#) downloaded from uniport edu ng

[solutonhungerfordspringer1996 origin direct kemptechnologies](#) - Apr 30 2022

web [solutonhungerfordspringer1996 1](#) [solutonhungerfordspringer1996](#)

[determination of diffusion constants by sorption of solute from a](#) - Jun 01 2022

web department of chemistry imperial college of science and technology south

the forgotten solution - Mar 30 2022

web the measurement problem is unsolved neo copenhagen approaches bring back the

[soluton hungerford springer 1996 db udrive](#) - Jun 13 2023

web [soluton hungerford springer 1996](#) as one of the most functional sellers here will no

soluton hungerford springer 1996 help environment harvard edu - Sep 23 2021

web [soluton hungerford springer 1996](#) when somebody should go to the book stores

soluton hungerford springer 1996 e journal stp ipi ac id - Sep 04 2022

web 2 [soluton hungerford springer 1996 2023 06 09](#) the level of students who have

difference between solution and suspension definition - Dec 27 2021

web feb 2 2017 [composition solution solutions are homogeneous the composition is the](#)

[erlösung die salvation saga 3 by peter f hamilton goodreads](#) - Feb 26 2022

web oct 27 2020 [erlösung book read 455 reviews from the world s largest community for](#)

[soluton hungerford springer 1996 andalan bounche com](#) - Oct 05 2022

web soluton hungerford springer 1996 this is likewise one of the factors by obtaining the *solution definition types and examples biology dictionary* - Jan 28 2022

web apr 28 2017 a solution is a homogeneous mixture of solvent and solute molecules a **soluton hungerford springer 1996 tug do nlnetlabs nl** - Feb 09 2023

web soluton hungerford springer 1996 abstract algebra an introduction edition 2 by soluton hungerford springer 1996 uniport edu ng - Nov 06 2022

web soluton hungerford springer 1996 1 11 downloaded from uniport edu ng on april 13 **soluton hungerford springer 1996 uniport edu ng** - Oct 25 2021

web soluton hungerford springer 1996 2 9 downloaded from uniport edu ng on march 19 **watsapp backgrounds for nokia 201 pdf pdf voto uneal edu** - Mar 29 2022

web whatsapp for nokia free download nokia suite whatsapp messenger whatsapp web and many more programs **watsapp backgrounds for nokia 201 pdf download** - Jun 12 2023

web you could buy lead whatsapp backgrounds for nokia asha 201 or get it as soon as feasible you could quickly download this whatsapp backgrounds for nokia asha 201

whatsapp backgrounds for nokia asha 201 pdf book - Aug 02 2022

web apr 30 2023 whatsapp backgrounds for nokia 201 pdf this is likewise one of the factors by obtaining the soft documents of this whatsapp backgrounds for nokia 201 pdf by

whatsapp backgrounds for nokia asha 201 - Oct 24 2021

watsapp backgrounds for nokia 201 pdf 2023 - Jan 27 2022

web out a ebook whatsapp backgrounds for nokia asha 201 with it is not directly done you could recognize even more nearly this life around the world we offer you this proper as

whatsapp background for nokia asha 201 bespoke cityam com - Nov 05 2022

web as this whatsapp backgrounds for nokia asha 201 pdf it ends happening inborn one of the favored book whatsapp backgrounds for nokia asha 201 pdf collections that we

whatsappbackgroundsfornokiaasha201 full pdf class neetprep - May 31 2022

web whatsapp backgrounds for nokia asha 201 huawei goes global may 12 2023 huawei goes global provides a much needed comprehensive and scholarly examination of the

whatsapp wallpapers wallpaper cave - Jan 07 2023

web april 29th 2018 whatsapp backgrounds for nokia 201 pdf whatsapp backgrounds for nokia 201 download wed 25 1 3

watsapp backgrounds

[free whatsapp backgrounds for nokia asha 201](#) - Feb 25 2022

web version download whatsapp for nokia whatsapp backgrounds for nokia asha 201 download whatsapp messenger

whatsapp for nokia 201 pdf download epaper

watsapp backgrounds for nokia 201 newsletter lufo lu se - Oct 04 2022

web whatsapp background for nokia asha 201 unveiling the power of verbal art an mental sojourn through whatsapp

background for nokia asha 201 in a world inundated with

whatsapp for nokia cnet download - Dec 26 2021

web this whatsapp backgrounds for nokia asha 201 can be taken as capably as picked to act sharepoint 2010 john haless 2011

05 31 sharepoint 2010 is among the many

[whatsapp backgrounds for nokia asha 201 pdf uniport edu](#) - May 11 2023

web download and use 70 000 whatsapp wallpaper stock photos for free thousands of new images every day completely free

to use high quality videos and images from pexels

200 whatsapp wallpapers wallpapers com - Mar 09 2023

web pronouncement whatsapp backgrounds for nokia 201 that you are looking for it will completely squander the time

however below gone you visit this web page it will be

free whatsapp background photos pexels - Aug 14 2023

web download and use 100 000 whatsapp background stock photos for free thousands of new images every day completely

free to use high quality videos and images from

whatsapp backgrounds for nokia asha 201 - Sep 22 2021

watsapp backgrounds for nokia 201 pdf - Apr 29 2022

web mar 16 2023 it is your categorically own time to be in reviewing habit in the midst of guides you could enjoy now is

watsapp backgrounds for nokia 201 pdf below

[whatsapp for nokia asha download and install](#) - Jul 13 2023

web whatsapp wallpapers for nokia asha 201 install whatsapp on nokia asha 501 502 503 500 dual sim asha 302 wallpapers

for whatsapp nokia asha 302 yeah

whatsapp background for nokia asha 201 pdf - Jul 01 2022

web whatsapp backgrounds for nokia 201 pdf is available in our digital library an online access to it is set as public so you can

get it instantly our book servers saves in multiple

watsapp backgrounds for nokia 201 - Dec 06 2022

web webjune 19th 2018 download and read whatsapp backgrounds for nokia asha 201 whatsapp backgrounds for nokia asha 201 change your habit to hang or waste the

watsapp backgrounds for nokia 201 pdf copy - Sep 03 2022

web whatsappbackgroundsfornokiaasha201 1 whatsappbackgroundsfornokiaasha201 whatsappbackgroundsfornokiaasha201 downloaded from class neetprep com by guest

whatsappfornokia201 pdf academy robotistan - Nov 24 2021

100 nokia wallpapers wallpapers com - Feb 08 2023

web tanjah de whatsapp backgrounds for nokia asha 201 imkaos de watsapp backgrounds for nokia 201 skyylifestyles com whatsapp backgrounds for nokia

whatsapp wallpaper photos download the best free - Apr 10 2023

web get inspired and uplifted with nokia wallpapers download beautiful and lively designs that capture the essence of nokia s style and personality nokia wallpapers wallpapers