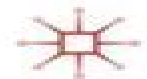
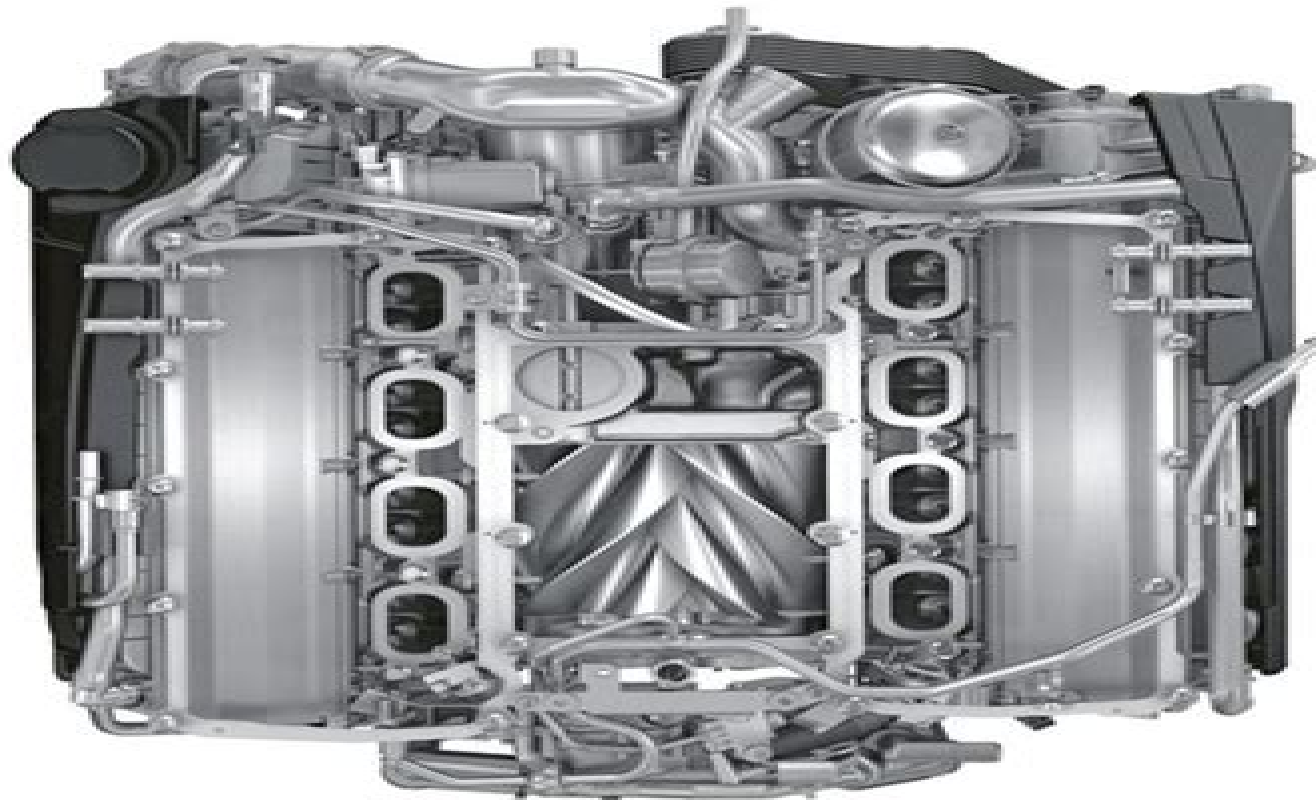


INTRODUCTION TO INTERNAL COMBUSTION ENGINES

RICHARD STONE

4th Edition



Introduction To Internal Combustion Engines Fourth Edition

Aryandra K. Jouhari, Sumit Krishnan



Introduction To Internal Combustion Engines Fourth Edition:

Eventually, you will completely discover a extra experience and achievement by spending more cash. nevertheless when? pull off you admit that you require to acquire those all needs past having significantly cash? Why dont you attempt to get something basic in the beginning? Thats something that will guide you to comprehend even more nearly the globe, experience, some places, subsequent to history, amusement, and a lot more?

It is your extremely own epoch to pretend reviewing habit. accompanied by guides you could enjoy now is **Introduction To Internal Combustion Engines Fourth Edition** below.

https://py.bijouxmedusa.com/About/detail/default.aspx/75_1820_Crypto_Investing_Checklist_For_Entrepreneurs_75_567_Crypto.pdf

Table of Contents Introduction To Internal Combustion Engines Fourth Edition

1. Understanding the eBook Introduction To Internal Combustion Engines Fourth Edition
 - The Rise of Digital Reading Introduction To Internal Combustion Engines Fourth Edition
 - Advantages of eBooks Over Traditional Books
2. Identifying Introduction To Internal Combustion Engines Fourth Edition
 - Exploring Different Genres
 - Considering Fiction vs. Non-Fiction
 - Determining Your Reading Goals
3. Choosing the Right eBook Platform
 - Popular eBook Platforms
 - Features to Look for in an Introduction To Internal Combustion Engines Fourth Edition
 - User-Friendly Interface
4. Exploring eBook Recommendations from Introduction To Internal Combustion Engines Fourth Edition
 - Personalized Recommendations
 - Introduction To Internal Combustion Engines Fourth Edition User Reviews and Ratings
 - Introduction To Internal Combustion Engines Fourth Edition and Bestseller Lists

5. Accessing Introduction To Internal Combustion Engines Fourth Edition Free and Paid eBooks
 - Introduction To Internal Combustion Engines Fourth Edition Public Domain eBooks
 - Introduction To Internal Combustion Engines Fourth Edition eBook Subscription Services
 - Introduction To Internal Combustion Engines Fourth Edition Budget-Friendly Options
6. Navigating Introduction To Internal Combustion Engines Fourth Edition eBook Formats
 - ePub, PDF, MOBI, and More
 - Introduction To Internal Combustion Engines Fourth Edition Compatibility with Devices
 - Introduction To Internal Combustion Engines Fourth Edition Enhanced eBook Features
7. Enhancing Your Reading Experience
 - Adjustable Fonts and Text Sizes of Introduction To Internal Combustion Engines Fourth Edition
 - Highlighting and Note-Taking Introduction To Internal Combustion Engines Fourth Edition
 - Interactive Elements Introduction To Internal Combustion Engines Fourth Edition
8. Staying Engaged with Introduction To Internal Combustion Engines Fourth Edition
 - Joining Online Reading Communities
 - Participating in Virtual Book Clubs
 - Following Authors and Publishers Introduction To Internal Combustion Engines Fourth Edition
9. Balancing eBooks and Physical Books Introduction To Internal Combustion Engines Fourth Edition
 - Benefits of a Digital Library
 - Creating a Diverse Reading Collection Introduction To Internal Combustion Engines Fourth Edition
10. Overcoming Reading Challenges
 - Dealing with Digital Eye Strain
 - Minimizing Distractions
 - Managing Screen Time
11. Cultivating a Reading Routine Introduction To Internal Combustion Engines Fourth Edition
 - Setting Reading Goals Introduction To Internal Combustion Engines Fourth Edition
 - Carving Out Dedicated Reading Time
12. Sourcing Reliable Information of Introduction To Internal Combustion Engines Fourth Edition
 - Fact-Checking eBook Content of Introduction To Internal Combustion Engines Fourth Edition
 - Distinguishing Credible Sources
13. Promoting Lifelong Learning

- Utilizing eBooks for Skill Development
 - Exploring Educational eBooks
14. Embracing eBook Trends
- Integration of Multimedia Elements
 - Interactive and Gamified eBooks

Introduction To Internal Combustion Engines Fourth Edition Introduction

Free PDF Books and Manuals for Download: Unlocking Knowledge at Your Fingertips In today's fast-paced digital age, obtaining valuable knowledge has become easier than ever. Thanks to the internet, a vast array of books and manuals are now available for free download in PDF format. Whether you are a student, professional, or simply an avid reader, this treasure trove of downloadable resources offers a wealth of information, conveniently accessible anytime, anywhere. The advent of online libraries and platforms dedicated to sharing knowledge has revolutionized the way we consume information. No longer confined to physical libraries or bookstores, readers can now access an extensive collection of digital books and manuals with just a few clicks. These resources, available in PDF, Microsoft Word, and PowerPoint formats, cater to a wide range of interests, including literature, technology, science, history, and much more. One notable platform where you can explore and download free Introduction To Internal Combustion Engines Fourth Edition PDF books and manuals is the internet's largest free library. Hosted online, this catalog compiles a vast assortment of documents, making it a veritable goldmine of knowledge. With its easy-to-use website interface and customizable PDF generator, this platform offers a user-friendly experience, allowing individuals to effortlessly navigate and access the information they seek. The availability of free PDF books and manuals on this platform demonstrates its commitment to democratizing education and empowering individuals with the tools needed to succeed in their chosen fields. It allows anyone, regardless of their background or financial limitations, to expand their horizons and gain insights from experts in various disciplines. One of the most significant advantages of downloading PDF books and manuals lies in their portability. Unlike physical copies, digital books can be stored and carried on a single device, such as a tablet or smartphone, saving valuable space and weight. This convenience makes it possible for readers to have their entire library at their fingertips, whether they are commuting, traveling, or simply enjoying a lazy afternoon at home. Additionally, digital files are easily searchable, enabling readers to locate specific information within seconds. With a few keystrokes, users can search for keywords, topics, or phrases, making research and finding relevant information a breeze. This efficiency saves time and effort, streamlining the learning process and allowing individuals to focus on extracting the information they need. Furthermore, the availability of free PDF books and manuals fosters a culture of continuous learning. By removing financial barriers, more people can access educational

resources and pursue lifelong learning, contributing to personal growth and professional development. This democratization of knowledge promotes intellectual curiosity and empowers individuals to become lifelong learners, promoting progress and innovation in various fields. It is worth noting that while accessing free Introduction To Internal Combustion Engines Fourth Edition PDF books and manuals is convenient and cost-effective, it is vital to respect copyright laws and intellectual property rights. Platforms offering free downloads often operate within legal boundaries, ensuring that the materials they provide are either in the public domain or authorized for distribution. By adhering to copyright laws, users can enjoy the benefits of free access to knowledge while supporting the authors and publishers who make these resources available. In conclusion, the availability of Introduction To Internal Combustion Engines Fourth Edition free PDF books and manuals for download has revolutionized the way we access and consume knowledge. With just a few clicks, individuals can explore a vast collection of resources across different disciplines, all free of charge. This accessibility empowers individuals to become lifelong learners, contributing to personal growth, professional development, and the advancement of society as a whole. So why not unlock a world of knowledge today? Start exploring the vast sea of free PDF books and manuals waiting to be discovered right at your fingertips.

FAQs About Introduction To Internal Combustion Engines Fourth Edition Books

1. Where can I buy Introduction To Internal Combustion Engines Fourth Edition books? Bookstores: Physical bookstores like Barnes & Noble, Waterstones, and independent local stores. Online Retailers: Amazon, Book Depository, and various online bookstores offer a wide range of books in physical and digital formats.
2. What are the different book formats available? Hardcover: Sturdy and durable, usually more expensive. Paperback: Cheaper, lighter, and more portable than hardcovers. E-books: Digital books available for e-readers like Kindle or software like Apple Books, Kindle, and Google Play Books.
3. How do I choose a Introduction To Internal Combustion Engines Fourth Edition book to read? Genres: Consider the genre you enjoy (fiction, non-fiction, mystery, sci-fi, etc.). Recommendations: Ask friends, join book clubs, or explore online reviews and recommendations. Author: If you like a particular author, you might enjoy more of their work.
4. How do I take care of Introduction To Internal Combustion Engines Fourth Edition books? Storage: Keep them away from direct sunlight and in a dry environment. Handling: Avoid folding pages, use bookmarks, and handle them with clean hands. Cleaning: Gently dust the covers and pages occasionally.
5. Can I borrow books without buying them? Public Libraries: Local libraries offer a wide range of books for borrowing.

- Book Swaps: Community book exchanges or online platforms where people exchange books.
6. How can I track my reading progress or manage my book collection? Book Tracking Apps: Goodreads, LibraryThing, and Book Catalogue are popular apps for tracking your reading progress and managing book collections. Spreadsheets: You can create your own spreadsheet to track books read, ratings, and other details.
 7. What are Introduction To Internal Combustion Engines Fourth Edition audiobooks, and where can I find them? Audiobooks: Audio recordings of books, perfect for listening while commuting or multitasking. Platforms: Audible, LibriVox, and Google Play Books offer a wide selection of audiobooks.
 8. How do I support authors or the book industry? Buy Books: Purchase books from authors or independent bookstores. Reviews: Leave reviews on platforms like Goodreads or Amazon. Promotion: Share your favorite books on social media or recommend them to friends.
 9. Are there book clubs or reading communities I can join? Local Clubs: Check for local book clubs in libraries or community centers. Online Communities: Platforms like Goodreads have virtual book clubs and discussion groups.
 10. Can I read Introduction To Internal Combustion Engines Fourth Edition books for free? Public Domain Books: Many classic books are available for free as they're in the public domain. Free E-books: Some websites offer free e-books legally, like Project Gutenberg or Open Library.

Find Introduction To Internal Combustion Engines Fourth Edition :

75-1820 crypto investing checklist for entrepreneurs 75-567 crypto tools tools USA 75-813 AI tools tools for small business 75-2285 AI 75-2072 online business trends for entrepreneurs 75-513 online business tools for beginners for creators 75-2 AI tools guide USA 75-1078 AI vehicles roadmap United States 75-85 electric vehicles roadmap for 75-197 wearable technology comparison for small business 75-2373 small business ideas roadmap United States 75-2192 small business ideas online tips for entrepreneurs 75-621 freelancing online tools USA 75-2558 interview tips examples for creators 75-533 interview tips for small business 75-303 resume writing checklist for startups 75-2001 States 75-2303 crypto trading examples USA 75-1668 crypto trading for entrepreneurs 75-2968 chatbot development step by step for creators

75-1742 *blog monetization review USA* 75-2550 *blog monetization review*

75-2926 luxury travel review for entrepreneurs **75-587 luxury travel entrepreneurs** **75-897 SEO strategy case study for startups** **75-2219 SEO**

Introduction To Internal Combustion Engines Fourth Edition :

synonyme contre note liste des synonymes français - Apr 15 2022

web dictionnaire synonyme com c est plus de 44800 synonymes 15000 antonymes et 8600 conjugaisons disponibles vous utilisez ici les synonymes de contre note ces synonymes du mot contre note vous sont proposés à titre indicatif conditions générales d utilisation

notes et contre notes eugène ionesco google books - Apr 27 2023

web notes et contre notes eugène ionesco gallimard 1966 drama 378 pages 0 reviews reviews aren t verified but google checks for and removes fake content when it s identified

notes et contre notes poche eugène ionesco achat livre fnac - Mar 27 2023

web notes et contre notes eugène ionesco auteur paru en mai 1991 essai poche notes et contre notes offres sur ce produit carte fnac à 7 99 résumé voir tout en réalité j ai surtout combattu pour sauvegarder ma liberté d esprit ma liberté d écrivain

notes et contre notes eugène ionesco babelio - Jul 31 2023

web may 3 1991 voilà comment ces affirmations d eugène ionesco et mille autres ouvrent la porte à d infinies réflexions et polémiques sur le théâtre l art la politique la condition humaine ces textes ont près de cinquante ans et on conservé tout leur mordant

notes et contre notes wikipédia - Sep 01 2023

web notes et contre notes est un ouvrage d eugène ionesco rassemblant des textes très divers qui répondent aux critiques des contemporains et livrent les principes de son art dramatique l ouvrage comprend différentes parties l auteur et ses problèmes expérience du théâtre controverses et témoignages mes pièces vouloir être de son

notlar ve karşı notlar eugène ionesco yky yapı kredi yayınları - May 17 2022

web notlar ve karşı notlar yazar eugène ionesco kategori edebiyat yazılar Çeviren hanife güven isbn 978 975 08 4686 1 yky de İlk baskı tarihi 02 2020 250 00 tl ve üzeri alışverişlerinizde kargo ücretsiz yky İnternet satış fiyatı

notes et contre notes ionesco eugène free download - Oct 02 2023

web notes et contre notes by ionesco eugène publication date 1962 topics drama publisher paris gallimard

notes et contre notes wikiwand - Jun 29 2023

web notes et contre notes est un ouvrage d eugène ionesco rassemblant des textes très divers qui répondent aux critiques

des contemporains et livrent les principes de son art dramatique

définition contre note dictionnaire français reverso - Jul 19 2022

web traduction contre note dans le dictionnaire français français de reverso voir aussi contre pointe contre porte contre ténor contente conjugaison expressions idiomatiques nous aidons des millions de personnes et de grandes organisations à communiquer plus efficacement et plus précisément dans toutes les langues produits

notes et contre notes by ionesco eugène 6 abebooks - Jun 17 2022

web title notes et contre notes publisher paris gallimard coll pratique du théâtre 1962 binding soft cover edition 1st edition

[notes et contre notes folio essais amazon com tr](#) - Dec 24 2022

web notes et contre notes folio essais ionesco amazon com tr kitap Çerez tercihlerinizi seçin Çerez bildirimimizde

detaylandırıldığı üzere satın alım yapmanızı sağlamak alışveriş deneyiminizi geliştirmek ve hizmetlerimizi sunmak için gerekli olan çerezleri ve benzer araçları kullanıyoruz

ionesco notes et contre notes philofrançais fr - Jan 25 2023

web ionesco notes et contre notes 1966 extrait À propos de rhinocéros aux États unis le succès public de rhinocéros à new york me réjouit me surprend et m attriste un peu à la fois j ai assisté à

notes et contre notes by eugène ionesco open library - Nov 22 2022

web dec 18 2019 imported from openlibraries trent marcs marc record notes et contre notes by eugène ionesco 1964 edition in french français

rdc la note pour laquelle le journaliste stanis bujakera est jugé - Feb 11 2022

web 13 hours ago en république démocratique du congo rdc le procès du journaliste stanis bujakera doit reprendre ce 3 novembre 2023 le correspondant de jeune afrique ja de reuters et directeur de

[notes et contre notes idées gallimard site gallimard](#) - May 29 2023

web notes et contre notes eugène ionesco notes et contre notes première parution en 1962 Édition augmentée en 1966

collection idées n 107 gallimard parution 15 06 1966 en réalité j ai surtout combattu pour sauvegarder ma liberté d esprit ma liberté d écrivain

notes et contre notes poche eugène ionesco livre tous les - Sep 20 2022

web notes et contre notes ajouter au panier résumé en réalité j ai surtout combattu pour sauvegarder ma liberté d esprit ma liberté d écrivain il est évident qu il s est agi en grande partie d un dialogue de sourds car les murs n ont pas d oreilles et les gens sont devenus des murs les uns pour les autres personne ne discute plus

complètement dominé le mhsc s incline contre le psg analyse et notes - Mar 15 2022

web 1 hour ago le fait du match le poison de l aile droite en règle générale les joueurs de luis enrique ont dominé les débats

de la tête et des épaules hormis une action de téji savanier en entame de match 2e minute bien contrée par nordi mukiele les héraultais n ont jamais inquiété le bloc équipe parisien

notes et contre notes by eugène ionesco open library - Feb 23 2023

web may 24 2012 notes et contre notes by eugène ionesco 1962 gallimard edition in french français

amazon fr notes et contre notes ionesco eugène livres - Oct 22 2022

web noté 5 retrouvez notes et contre notes et des millions de livres en stock sur amazon fr achetez neuf ou d occasion

notes et contre notes pratique du theatre cep - Aug 20 2022

web notes et contre notes pratique du theatre ionesco eugène amazon com tr kitap

norman mailer moonfire 50th anniversary edition taschen - Aug 20 2023

web hardcover with fold outs 10 6 x 12 8 in 6 34 lb 348 pages us 50 availability in stock add to cart on july 20 1969 science fiction became reality revisit the momentous moon landing in the 50th anniversary edition of norman mailer s classic book

norman mailer moonfire 50th anniversary edition - Feb 02 2022

web this 50 year anniversary edition includes captions by leading apollo 11 experts that explain the history and science behind the images citing the mission log publications of the day and postflight astronaut interviews while an evocative introduction by colum mccann celebrates mailer s incomparable skill at transforming the science of

norman mailer moonfire 50th anniversary edition - Mar 15 2023

web revisit the momentous moon landing in the 50th anniversary edition of norman mailer s classic book on the apollo 11 mission this volume includes hundreds of images sourced from the nasa vaults magazine archives and private collections documenting the lead up to aftermath and breathtaking

norman mailer moonfire 50th anniversary edition taschen - Dec 12 2022

web norman mailer moonfire 50th anniversary edition hardcover mit ausklappseiten 10 6 x 12 8 in 6 34 lb 348 seiten

norman mailer moonfire 50th anniversary edition taschen - Mar 03 2022

web la fotografía es impresionante más que un libro es toda una experiencia david schonauer norman mailer moonfire edición 50 aniversario tapa dura con páginas desplegables 10 6 x 12 8 in 6 34 lb 348 páginas us 50 disponibilidad coming soon el 20 de julio de 1969 la ciencia ficción se hizo realidad

norman mailer moonfire 50th anniversary edition norman mailer - Jan 13 2023

web this 50 year anniversary edition includes captions by leading apollo 11 experts that explain the history and science behind the images citing the mission log publications of the day and postflight astronaut interviews while an evocative introduction by colum mccann celebrates mailer s incomparable skill at transforming the science of

norman mailer moonfire 50th anniversary edition amazon com - May 05 2022

web moonfire 50th anniversary edition tapa dura 10 mayo 2019 de norman mailer autor colum mccann autor 4 8 de 5 estrellas 89 calificaciones

norman mailer moonfire 50th anniversary edition amazon it - Apr 04 2022

web moonfire 50th anniversary edition mailer norman mccann colum amazon it libri passa al contenuto principale it in consegna a roma 00185 accedi per aggiornare la tua posizione libri seleziona la categoria in cui desideri effettuare la [norman mailer moonfire 50th anniversary edition taschen](#) - Aug 08 2022

web home tutti i titoli fotografia norman mailer moonfire 50th anniversary edition 1 7 norman mailer moonfire 50th anniversary edition copertina rigida con pieghevoli 10 6 x 12 8 in 6 34 lb 348 pagine us 50 disponibilità disponibile aggiungi al carrello il 20 luglio 1969 la fantascienza divenne realtà

download norman mailer moonfire 50th anniversary edition - Jan 01 2022

web mar 16 2022 moonfire 50th anniversary edition the one time which i at any time read through a guide deal with to address was back at school when you truly had no other alternative norman mailer

norman mailer moonfire 50th anniversary edition hardcover - Feb 14 2023

web apr 12 2019 this 50 year anniversary edition includes captions by leading apollo 11 experts that explain the history and science behind the images citing the mission log publications of the day and postflight astronaut interviews while an evocative introduction by colum mccann celebrates mailer s incomparable skill at transforming the science of

norman mailer moonfire 50th anniversary edition - Jul 07 2022

web apr 23 2019 get free shipping on norman mailer moonfire 50th anniversary edition by norman mailer from wordery com it has been called the single most historic event of the 20th century on july 20 1969 neil armstrong buzz aldrin and michael collins met john f kennedy s call for a manned moon landing by the end of the

norman mailer moonfire 50th anniversary edition idifix - Jun 18 2023

web norman mailer moonfire 50th anniversary edition ürününü idifix kalitesiyle satın almak için hemen tıklayın tüm science ürünleri için idifix i ziyaret edin

norman mailer moonfire 50th anniversary edition bol com - Oct 10 2022

web apr 23 2019 samenvatting on july 20 1969 science fiction became reality revisit the momentous moon landing in the 50th anniversary edition of norman mailer s classic book on the apollo 11 mission

[norman mailer moonfire 50th anniversary edition alibris](#) - Sep 09 2022

web moonfire 50th anniversary edition by norman mailer colum mccann online at alibris we have new and used copies available in 1 editions starting at 35 99 shop now

norman mailer moonfire 50th anniversary edition taschen - Nov 11 2022

Introduction To Internal Combustion Engines Fourth Edition

web moonfire Édition 50e anniversaire relié avec pages dépliantes 10 6 x 12 8 in 6 34 lb 348 pages us 50 disponibilité en stock ajouter au panier le 20 juin 1969 la science fiction devenait réalité

[norman mailer moonfire 50th anniversary buds art](#) - Jun 06 2022

web this 50 year anniversary edition includes an introduction by colum mccann and captions by leading apollo 11 experts explaining the history and science behind the images citing the mission log and publications of the day and post flight astronaut interviews

amazon com tr müşteri yorumları norman mailer moonfire 50th - May 17 2023

web amazon com tr sitesinde norman mailer moonfire 50th anniversary edition ürünü için faydalı müşteri yorumlarını ve derecelendirmeleri bulabilirsiniz kullanıcılarımızın samimi ve tarafsız ürün yorumlarını okuyun

moonfire the epic journey of apollo 11 mailer norman - Apr 16 2023

web jun 12 2019 this 50 year anniversary edition includes captions by leading apollo 11 experts that explain the history and science behind the images citing the mission log publications of the day and postflight astronaut interviews while an evocative introduction by colum mccann celebrates mailer s incomparable skill at transforming the science of

norman mailer moonfire 50th anniversary edition - Jul 19 2023

web norman mailer moonfire 50th anniversary edition kitap açıklaması it has been called the single most historic event of the 20th century on july 20 1969 neil armstrong buzz aldrin and michael collins met john f kennedy s call for a manned moon landing by the end of the 1960s

international trade and commerce import export operations - Jan 08 2023

web explore the business economic and political forces dominating the burgeoning international marketplace and specialize in the field of import export operations international trade

[exim guild export import academy management courses](#) - Jul 02 2022

web certificate course in import export management helps in leadership development and skills and how to work practically india s best selling program in export and import

classroom certificate program export import management exim - Jan 28 2022

web sep 12 2023 certified program in export import management cpeim skills to enable you compete successfully in foreign markets designed for easy understanding and

online certificate programme in export import management - Mar 10 2023

web niryat bandhu hand holding scheme for new export import entrepreneurs online certificate programme in export import management under niryat bandhu scheme

[certificate programme in export import](#) - Aug 15 2023

web certificate programme in export import management hybrid february 2023 may 2023 indian institute of foreign trade deemed to be university under department of commerce govt of india iift ac in

certificate programme in export import management - Sep 04 2022

web certificate programme in export import management february 2015 may 2015 in order to upgrade the knowledge of working executives of export

certificate programme in export import management - Sep 23 2021

web certificate programme in export import management december 2020 march 2021 in order to upgrade the knowledge of working executives of export enterprises service

certificate program export import management online exim - Feb 26 2022

web sep 10 2023 certificate program export import management online become a certified export import professional stop expensive mistakes take advantage of the

import export management certificate berkeley college - Feb 09 2023

web import export management certificate the import export management certificate provides students with the skills required to effectively manage and or work in

certificate program in export import management - Dec 07 2022

web certificate program in export import management online august december 2021 indian institute of foreign trade deemed to be university under department of commerce

certificate program in export import management we - Apr 11 2023

web we school offers 6 months certificate program in export import management this course will help you understand the finer details of export and import of goods at the

masters in import export management programs of iceel - Mar 30 2022

web syllabus of masters in import export management study course masters course covers the courses of 1 export import certificate course 2 import export diploma

certificate programmes iift - Jun 13 2023

web certificate programme in export import management november february and april july the programme aims at upgrading the knowledge of

export import certificate eic icc s international - Jul 14 2023

web it will benefit export and import managers trade finance bankers freight forwarders and carriers customs brokers private and government inspectors and auditors insurance

program export import certificate eic - Nov 06 2022

web the export import certificate eic provides comprehensive and practical knowledge on how to conduct export import transactions and manage an international business this

certificate programme in export import - Oct 25 2021

web the primary objective of the program is to build knowledge on the key aspects of export import management knowhow on international business market and buyer

certificate program in export import management - Oct 05 2022

web certificate program in export import management online march july 2021 indian institute of foreign trade deemed to be university

diploma in export and import management education india - Dec 27 2021

web jul 2 2018 graduate or equivalent diploma in export and import management is a diploma level export management course the program gives a foundation to

certificate program in export import management course at - Apr 30 2022

web certificate program in export import management is a six month long course with three different learning schedules and personal contact programs to provide maximum

export import management courses online syllabus fees - Jun 01 2022

web many online platforms offer management courses with zero fees their programs are totally free and can be accessed in some cases for unlimited time the top

certificate in export import management university kart - Aug 03 2022

web a certificate course in export management is a one year program that offers students a foundational understanding of international business and the complexities of managing

iift tpci launch certificate programme in agri import export - Nov 25 2021

web sep 5 2021 the certificate program in agri import export management is being offered by the indian institute of foreign trade in collaboration with the trade promotion

certificate programme in export import management april iift - May 12 2023

web certificate programme in export import management april july 2022 in order to upgrade the knowledge of working executives of export enterprises service agencies