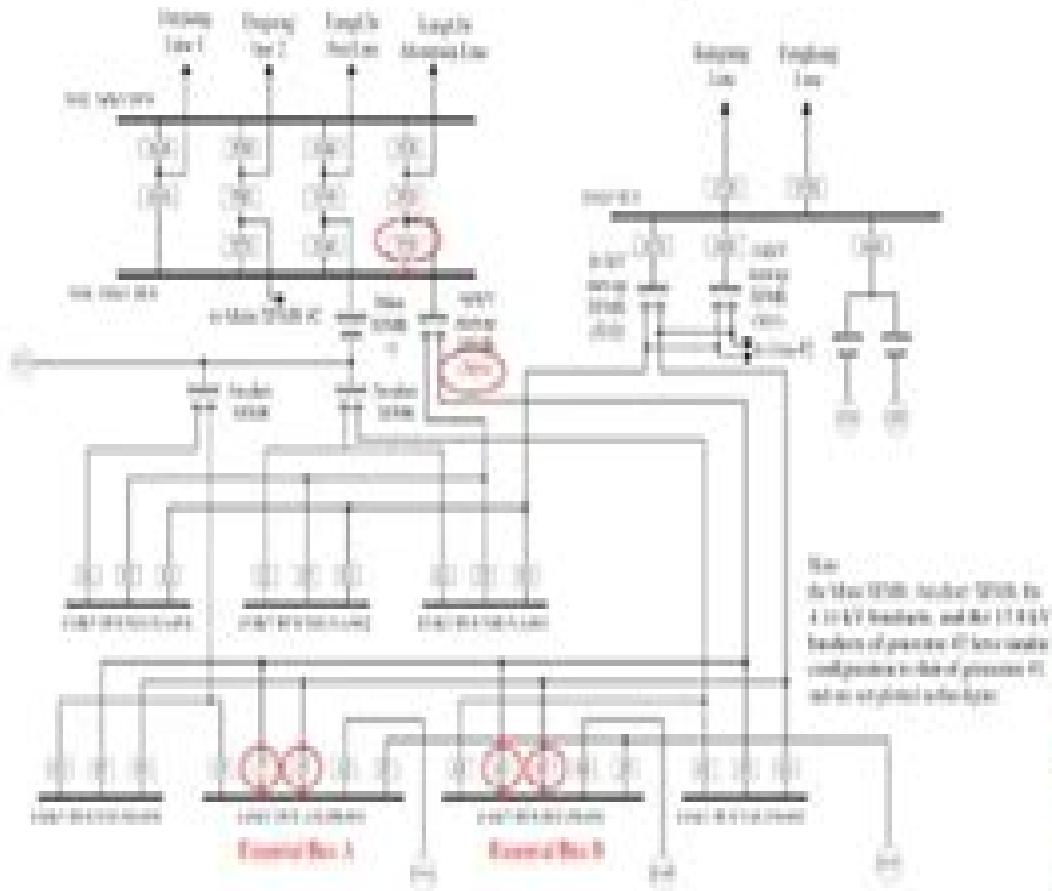


Power System Protection Systems



Basic connection diagram of protection relay



Electrical 4 U

Power Systems Protection Engineering Training Idc

DP Hallahan



Power Systems Protection Engineering Training Idc:

Power Systems Protection, Power Quality , Practical Power System Protection Leslie Hewitson, Mark Brown, Ramesh Balakrishnan, 2005-02-28 Designed to increase understanding on a practical and theoretical basis this invaluable resource provides engineers plant operators electricians and technicians with a thorough grounding in the principles and practicalities behind power system protection Coverage of the fundamental knowledge needed to specify use and maintain power protection systems is included helping readers to increase plant efficiency performance and safety Consideration is also given to the practical techniques and engineering challenges encountered on a day to day basis making this an essential resource for all

Telecommunication Economics Antonis M. Hadjiantonis, Burkhard Stiller, 2012-04-27 This book constitutes a collaborative and selected documentation of the scientific outcome of the European COST Action IS0605 Econ Tel A Telecommunications Economics COST Network which run from October 2007 to October 2011 Involving experts from around 20 European countries the goal of Econ Tel was to develop a strategic research and training network among key people and organizations in order to enhance Europe s competence in the field of telecommunications economics Reflecting the organization of the COST Action IS0605 Econ Tel in working groups the following four major research areas are addressed evolution and regulation of communication ecosystems social and policy implications of communication technologies economics and governance of future networks future networks management architectures and mechanisms

Personal Computers and Digital Signal Processing , Formulas and Conversions , Communications, Industrial Networking and TCP/IP ,2012 **Practical Power Systems Protection for Engineers and Technicians** ,200? **IEEE Industrial & Commercial Power Systems Technical Conference** ,1984 *Electric Light and Power* ,1948 *The Journal of the Chartered Institution of Building Services* Chartered Institution of Building Services,1983 **Building Services** ,1985-05 *ASHRAE Journal* ,1992 *IEEE Conference Record of ... Industrial and Commercial Power Systems Technical Conference* ,1984 *UNDOC, Current Index* ,1996 **IEEE Membership Directory** Institute of Electrical and Electronics Engineers,2001 **Subject Guide to Microforms in Print** Albert James Diaz,1977 Scientific and Technical Organizations and Agencies Directory Peter D. Dresser,1994 *Thomas Register* ,2004 *Western Electrician* ,1894 The Engineer ,1916

Immerse yourself in heartwarming tales of love and emotion with Crafted by is touching creation, **Power Systems Protection Engineering Training Idc** . This emotionally charged ebook, available for download in a PDF format (Download in PDF: *), is a celebration of love in all its forms. Download now and let the warmth of these stories envelop your heart.

https://py.bijouxmedusa.com/data/publication/Documents/21st_Century_Cellulosic_Ethanol_Biomass_And_Biofuels_Wood_Chips_Stalks_Switchgrass_Plant_Products_Feedstocks_Cellulose_Conversion_Processes_Research_Plans.pdf

Table of Contents Power Systems Protection Engineering Training Idc

1. Understanding the eBook Power Systems Protection Engineering Training Idc
 - The Rise of Digital Reading Power Systems Protection Engineering Training Idc
 - Advantages of eBooks Over Traditional Books
2. Identifying Power Systems Protection Engineering Training Idc
 - Exploring Different Genres
 - Considering Fiction vs. Non-Fiction
 - Determining Your Reading Goals
3. Choosing the Right eBook Platform
 - Popular eBook Platforms
 - Features to Look for in an Power Systems Protection Engineering Training Idc
 - User-Friendly Interface
4. Exploring eBook Recommendations from Power Systems Protection Engineering Training Idc
 - Personalized Recommendations
 - Power Systems Protection Engineering Training Idc User Reviews and Ratings
 - Power Systems Protection Engineering Training Idc and Bestseller Lists
5. Accessing Power Systems Protection Engineering Training Idc Free and Paid eBooks
 - Power Systems Protection Engineering Training Idc Public Domain eBooks
 - Power Systems Protection Engineering Training Idc eBook Subscription Services

- Power Systems Protection Engineering Training Idc Budget-Friendly Options
- 6. Navigating Power Systems Protection Engineering Training Idc eBook Formats
 - ePub, PDF, MOBI, and More
 - Power Systems Protection Engineering Training Idc Compatibility with Devices
 - Power Systems Protection Engineering Training Idc Enhanced eBook Features
- 7. Enhancing Your Reading Experience
 - Adjustable Fonts and Text Sizes of Power Systems Protection Engineering Training Idc
 - Highlighting and Note-Taking Power Systems Protection Engineering Training Idc
 - Interactive Elements Power Systems Protection Engineering Training Idc
- 8. Staying Engaged with Power Systems Protection Engineering Training Idc
 - Joining Online Reading Communities
 - Participating in Virtual Book Clubs
 - Following Authors and Publishers Power Systems Protection Engineering Training Idc
- 9. Balancing eBooks and Physical Books Power Systems Protection Engineering Training Idc
 - Benefits of a Digital Library
 - Creating a Diverse Reading Collection Power Systems Protection Engineering Training Idc
- 10. Overcoming Reading Challenges
 - Dealing with Digital Eye Strain
 - Minimizing Distractions
 - Managing Screen Time
- 11. Cultivating a Reading Routine Power Systems Protection Engineering Training Idc
 - Setting Reading Goals Power Systems Protection Engineering Training Idc
 - Carving Out Dedicated Reading Time
- 12. Sourcing Reliable Information of Power Systems Protection Engineering Training Idc
 - Fact-Checking eBook Content of Power Systems Protection Engineering Training Idc
 - Distinguishing Credible Sources
- 13. Promoting Lifelong Learning
 - Utilizing eBooks for Skill Development
 - Exploring Educational eBooks
- 14. Embracing eBook Trends

- Integration of Multimedia Elements
- Interactive and Gamified eBooks

Power Systems Protection Engineering Training Idc Introduction

In the digital age, access to information has become easier than ever before. The ability to download Power Systems Protection Engineering Training Idc has revolutionized the way we consume written content. Whether you are a student looking for course material, an avid reader searching for your next favorite book, or a professional seeking research papers, the option to download Power Systems Protection Engineering Training Idc has opened up a world of possibilities. Downloading Power Systems Protection Engineering Training Idc provides numerous advantages over physical copies of books and documents. Firstly, it is incredibly convenient. Gone are the days of carrying around heavy textbooks or bulky folders filled with papers. With the click of a button, you can gain immediate access to valuable resources on any device. This convenience allows for efficient studying, researching, and reading on the go. Moreover, the cost-effective nature of downloading Power Systems Protection Engineering Training Idc has democratized knowledge. Traditional books and academic journals can be expensive, making it difficult for individuals with limited financial resources to access information. By offering free PDF downloads, publishers and authors are enabling a wider audience to benefit from their work. This inclusivity promotes equal opportunities for learning and personal growth. There are numerous websites and platforms where individuals can download Power Systems Protection Engineering Training Idc. These websites range from academic databases offering research papers and journals to online libraries with an expansive collection of books from various genres. Many authors and publishers also upload their work to specific websites, granting readers access to their content without any charge. These platforms not only provide access to existing literature but also serve as an excellent platform for undiscovered authors to share their work with the world. However, it is essential to be cautious while downloading Power Systems Protection Engineering Training Idc. Some websites may offer pirated or illegally obtained copies of copyrighted material. Engaging in such activities not only violates copyright laws but also undermines the efforts of authors, publishers, and researchers. To ensure ethical downloading, it is advisable to utilize reputable websites that prioritize the legal distribution of content. When downloading Power Systems Protection Engineering Training Idc, users should also consider the potential security risks associated with online platforms. Malicious actors may exploit vulnerabilities in unprotected websites to distribute malware or steal personal information. To protect themselves, individuals should ensure their devices have reliable antivirus software installed and validate the legitimacy of the websites they are downloading from. In conclusion, the ability to download Power Systems Protection Engineering Training Idc has transformed the way we access information. With the convenience, cost-effectiveness, and accessibility it offers, free PDF downloads have become a popular

choice for students, researchers, and book lovers worldwide. However, it is crucial to engage in ethical downloading practices and prioritize personal security when utilizing online platforms. By doing so, individuals can make the most of the vast array of free PDF resources available and embark on a journey of continuous learning and intellectual growth.

FAQs About Power Systems Protection Engineering Training Idc Books

1. Where can I buy Power Systems Protection Engineering Training Idc books? Bookstores: Physical bookstores like Barnes & Noble, Waterstones, and independent local stores. Online Retailers: Amazon, Book Depository, and various online bookstores offer a wide range of books in physical and digital formats.
2. What are the different book formats available? Hardcover: Sturdy and durable, usually more expensive. Paperback: Cheaper, lighter, and more portable than hardcovers. E-books: Digital books available for e-readers like Kindle or software like Apple Books, Kindle, and Google Play Books.
3. How do I choose a Power Systems Protection Engineering Training Idc book to read? Genres: Consider the genre you enjoy (fiction, non-fiction, mystery, sci-fi, etc.). Recommendations: Ask friends, join book clubs, or explore online reviews and recommendations. Author: If you like a particular author, you might enjoy more of their work.
4. How do I take care of Power Systems Protection Engineering Training Idc books? Storage: Keep them away from direct sunlight and in a dry environment. Handling: Avoid folding pages, use bookmarks, and handle them with clean hands. Cleaning: Gently dust the covers and pages occasionally.
5. Can I borrow books without buying them? Public Libraries: Local libraries offer a wide range of books for borrowing. Book Swaps: Community book exchanges or online platforms where people exchange books.
6. How can I track my reading progress or manage my book collection? Book Tracking Apps: Goodreads, LibraryThing, and Book Catalogue are popular apps for tracking your reading progress and managing book collections. Spreadsheets: You can create your own spreadsheet to track books read, ratings, and other details.
7. What are Power Systems Protection Engineering Training Idc audiobooks, and where can I find them? Audiobooks: Audio recordings of books, perfect for listening while commuting or multitasking. Platforms: Audible, LibriVox, and Google Play Books offer a wide selection of audiobooks.
8. How do I support authors or the book industry? Buy Books: Purchase books from authors or independent bookstores. Reviews: Leave reviews on platforms like Goodreads or Amazon. Promotion: Share your favorite books on social media or recommend them to friends.

9. Are there book clubs or reading communities I can join? Local Clubs: Check for local book clubs in libraries or community centers. Online Communities: Platforms like Goodreads have virtual book clubs and discussion groups.
10. Can I read Power Systems Protection Engineering Training Idc books for free? Public Domain Books: Many classic books are available for free as they're in the public domain. Free E-books: Some websites offer free e-books legally, like Project Gutenberg or Open Library.

Find Power Systems Protection Engineering Training Idc :

21st century cellulosic ethanol biomass and biofuels wood chips stalks switchgrass plant products feedstocks cellulose conversion processes research plans

215p 220p 225p 230p 235p 240p 245p 250p 20 warranties

20533 implementing microsoft azure infrastructure solutions

2010 yamaha xt1200z super tenere service repair workshop

2006 lexus is 350 owners manual

3 1 review reinforcement answer key

~~6 steps to career success magical quest a delightful inspiring and informative book that will tra~~

2017 shareholder dividend distribution schedule ciri

300-206

~~2010 land rover range owners manual~~

4 1 practice form g congruent figures answers

2001 toyota sienna service repair shop manual set oem factory dealership books 2 volume set electrical wiring diagrams manual and the automatic transaxle manual

2008 arctic cat all snowmobile models service repair manual panther bearcat crossfi re 500 600 800 1000 f5 f6 f8 f1000 m6 m8 m100 0 sno pro lxr z370 z570 ac120 jaguar z1 t660 turbo tz1

300 206 pass4sure

~~2015 nissan altima sedan owners manual~~

Power Systems Protection Engineering Training Idc :

isuzu 4hk 1 service manual manualmachine com - Oct 06 2023

web isuzu 4hk 1 service manual 4 7 27 for service training 4hk1 tc engine engine mechanical features engine control system

diagnosis applicable model

isuzu 4hk1 6hk1 service manual - Dec 28 2022

web this is the highly detailed factory service repair manual for the isuzu 4hk1 diesel engine this service manual has detailed illustrations as well as step by step

isuzu 4hk1 6hk1 engine workshop service repair manual - Apr 19 2022

web isuzu 4hk1 tc engine service repair manual has easy to read text sections with top quality diagrams and instructions will guide you through fundamentals of maintaining

case 4hk1 6hk1 service manual pdf download manualslib - Jul 03 2023

web view and download case 4hk1 6hk1 service manual online 4hk1 6hk1 engine pdf manual download

isuzu 4hk 1 engine service manual pdf diesel engine - May 01 2023

web isuzu 4hk 1 engine service manual pdf diesel engine engines truckmanualshub com isuzu 4hk 1 engine service manual free download as pdf

isuzu 4hk1 6hk1 service manual engine erepairinfo - Jan 17 2022

web this is the complete official full factory service repair manual for isuzu 4hk1 6hk1 diesel engine hundreds of pages allow you to print it out in its entirety or just the pages

isuzu engine 4hk1 6hk1 workshop service repair manual - Dec 16 2021

[isuzu 4hk1 service manual manualmachine com](#) - Mar 31 2023

web view and download isuzu 4hk1 instruction manual online how it works log in sign up 0 my files 0 my downloads 0 history isuzu service manual download 4 7 11

[jcb isuzu 4hk1 engine service repair manual issuu](#) - Sep 24 2022

web this is a complete service manual contains all necessary instructions needed for any repair your isuzu 4hk1 engine may require service manual for isuzu 4hk1 engine

service manual engine 4hk1 6hk1 - Jun 02 2023

web service manual engine 4hk1 6hk1 service manual workshop and repair manual heavy equipment manuals free brands isuzu truck engine service manual

[isuzu 4hk1 engine workshop repair service manual](#) - Jul 23 2022

web may 31 2020 isuzu 4hk1 6hk1 service manual for diesel engine contains exploded views with all the original parts and assist you in servicing maintenance and repair with

isuzu 4hk1 6hk1 diesel engine workshop service manual - Oct 26 2022

web jun 8 2020 jcb isuzu 4 hk1 engine service repair manual 1 of 26 jcb isuzu 4 hk1 engine service repair manual download as a pdf or view online for free

[isuzu 4hk1 6hk1 diesel engine series service](#) - Jun 21 2022

web oct 31 2023 this professional quality repair manual also known as a service manual or shop manual contains detailed step by step instructions specifications and accurate

[isuzu 4hk1 service manual manualmachine com](#) - Aug 04 2023

web isuzu 4hk1 service manual isuzu service manual download 4 5 41 workshop manual 727 n series engine control system 4hk1 engine section

isuzu n series 4hk1 engine service manual procarmanuals com - Mar 19 2022

web factory service manual for isuzu engine manual contains illustrations instructions diagrams for step by step remove and install assembly and disassembly service

isuzu 4hk 1 manual pdf download manualslib - Sep 05 2023

web view and download isuzu 4hk 1 manual online 4hk 1 engine pdf manual download also for 6hk 1

isuzu 4hk1 tc engine service repair manual - Feb 15 2022

web tags isuzu engine 4hk1 6hk1 workshop service repair manual 14 99 add to cart instant download isuzu engine 4hk1 6hk1 workshop service repair manual this manual content all service repair maintenance troubleshooting procedures for isuzu engine all major topics are covered step by step instruction diagrams illustration

truck repair manual isuzu 4hk 1 engine service manual - Feb 27 2023

web oct 29 2019 isuzu 4hk 1 engine service manual 4hk1 tcn the 4hk1 tcn is a direct injection turbocharged engine of 5 2l capacity applications include the 2006 isuzu npr400 4hk1 tcc the 4hk1 tcc is a direct injection turbocharged engine of 5 2l capacity applications include 2008 isuzu nqr500 4hk1 tcs

jcb isuzu 4 hk1 engine service repair manual pdf slideshare - Aug 24 2022

web this manual is packed with all the information you need and also is very simple to use this manual covers every part of your engine and its the same used by your mechanic in

isuzu 4hk1 6hk1 service manual for diesel engine - May 21 2022

web maintenance procedures follow step by step instructions for effective maintenance and servicing of the isuzu n series 4hk1 engine the manual covers essential procedures

[isuzu 4hk1 diesel engine service repair manual](#) - Nov 26 2022

web isuzu 4hk1 6hk1 diesel engine service repair manual meets all your information needs to repair or make some adjustments to your isuzu 4hk1 6hk1 diesel engine service repair manual this manual is intended as a handy easy to read

reference book for the mechanics and diy persons

isuzu 4hk1 engine repair service manual the repair manual - Jan 29 2023

web isuzu 4hk1 engine service manual manufacturer isuzu manual for 4hk1 engines format pdf language english isuzu 4hk1 engine service manual 334 pages

isuzu 4hk1 6hk1 diesel engine factory service repair manual - Nov 14 2021

konfliktmanagement und mediation in organisationen schulthess - Jun 12 2023

web jan 1 2013 zusammenfassung in organisationen verursachen ungelöste oder falsch yum gelöste konflikte eine unnötige verschwendung und fehlallokation wichtiger

konfliktmanagement und mediation in organisationen - Oct 04 2022

web trigon entwicklungsberatung mediation und konfliktmanagement in organisationen zielsetzungen des lehrgangs sie können in konflikten zwischen einzelnen menschen

mediation konfliktmanagement in unternehmen mediation und - Jul 01 2022

web internationales konfliktmanagement konfliktlösungsstrategien in interkulturell diversen teams internationale mediation 0711 645 619 433 in einer interkulturellen und

konfliktmanagement und mediation in organisatione - Sep 22 2021

konflikte durch mediation lösen springerprofessional de - Sep 03 2022

web zum beispiel in den umfeldern arbeit wirtschaft familie schule und interkulturellen themen wird mediation zunehmend eingesetzt ich biete ihnen mediation für konflikte

konfliktmanagement und mediation in organisatione - Oct 24 2021

konfliktmanagement und mediation in organisationen lünebuch de - Jan 07 2023

web may 22 2018 mediation ist eine methode zur konfliktbeilegung in der ein neutraler dritter auf freiwilliger basis zwischen zwei oder mehr parteien vermittelt und sie darin

[mediation in organisationen springerlink](#) - May 11 2023

web konfliktmanagement und mediation in organisationen sep 2020 jun 2022 konfliktmanagement und mediation in organisationen 7

[read free konfliktmanagement und mediation in organisatione](#) - Mar 29 2022

web die entwicklung der mediation und konfliktmanagement konfliktodynamik in wirtschaft und gesellschaft

konfliktlösungsstrategien in organisationen der konflikt als chance

konfliktmanagement und mediation in organisatione pdf - Dec 26 2021

web konfliktmanagement und mediation in organisatione 2021 09 22 kimberly porter mediation und konfliktmanagement in der sozialen arbeit maximilian 2 2

konfliktmanagement und mediation in organisationen ein lehr - Jul 13 2023

web organisationskonflikte bearbeiten situationsgerechte ansätze der konfliktbehandlung konflikte zwischen einzelpersonen und teams bearbeiten lösungs

master studiengang mediation und konfliktmanagement - Nov 05 2022

web sep 25 2020 die betroffene führungskraft kann sich aber mediative konfliktlösungstechniken zu eigen machen um die streithähne ihres teams zueinander

konfliktmanagement und mediation in organisationen - Mar 09 2023

web konfliktmanagement und mediation in organisationen ein lehr und Übungsbuch mit filmbeispielen auf dvd rudi ballreich friedrich glasl gebunden 414 seiten 85

konfliktmanagement und mediation springerlink - Apr 10 2023

web deal mediation mediation als verfahren zur verhandlungs und projektbegleitung sowie als mittel zur konfliktprävention in der wirtschaft monografie entwicklung eines

konfliktmanagement und mediation in organisatione - Jan 27 2022

web aufeinander aufbauende und doch einzeln anwendbare bausteine konflikt mediation interkulturelle mediation und lösungsoptionen die bausteine sind als

konfliktmanagement und mediation in organisatione - Nov 24 2021

web konfliktmanagement und mediation in organisatione 2021 02 19 mcintyre harrison zur bedeutung des konfliktmanagements in sozialen organisationen grin

konfliktmanagement und mediation in organisationen ein lehr - Feb 08 2023

web mar 13 2013 der kompakt lehrgang zur qualifizierung für die konfliktarbeit in organisationen verbindet konzepte und methoden der mediation und des konfliktmanagements mi

konfliktmanagement und mediation in organisationen - Aug 14 2023

web konfliktmanagement und mediation in organisationen ein lehr und Übungsbuch mit filmbeispielen zum streamen buch film reihe professionelles konfliktmanagement

mediation und konfliktmanagement in organisationen - Aug 02 2022

web handbuch mediation und konfliktmanagement gerhard falk 2005 04 28 mediation ist ein konfliktregelungsverfahren das

zunehmend und in immer mehr gesellschaftlichen

konfliktmanagement und mediation in organisatione - Feb 25 2022

web apr 4 2023 konfliktmanagement und mediation in organisatione as one of the most keen sellers here will very be along with the best options to review mediation als mittel

konfliktmanagement und mediation in organisatione - May 31 2022

web konfliktmanagement und mediation in organisatione workplace conflict resolution essentials for dummies oct 14 2020 resolving conflict in the workplace no problem

konfliktmangement und mediation in organisationen youtube - Dec 06 2022

web teil 1 konflikte in organisationen verstehen 2 friedrich glasl grundlagen der konfliktdiagnose in organisationen 2 1 ist für die konfliktbearbeitung überhaupt eine

konfliktmanagement und mediation bei interkulturellen und - Apr 29 2022

web konfliktmanagement anhand von mediation und kommunikationsmodellen fallbeispiel von mitarbeitern einer kindertagesstätte interkulturelle mediation und konfliktbearbeitung

phase i report requirements advanced computer networks - Feb 18 2022

web phase i report requirements advanced computer networks advanced computer graphics nov 10 2022 computer graphics is no longer merely a technique of promise the case studies in this book prove that it is a technique which has already identified itself with progress in an astonishingly wide range of app

phase i report requirements advanced computer networks - May 24 2022

web phase i report requirements advanced computer networks 1 phase i report requirements advanced computer networks advanced automotive propulsion systems issues concerning air force kc 10a

phase i report requirements advanced computer networks - Jul 26 2022

web phase i report requirements advanced computer networks nasa reports required by congress regulatory policy for advanced nuclear reactors aeronautics and space report of the president

phase i report requirements advanced computer networks - Mar 02 2023

web phase i report requirements advanced computer networks traceroute org is a large collection of traceroute looking glass route servers and bgp links lte advanced is a mobile communication standard and a major enhancement of the long term evolution lte standard it was formally submitted as a candidate 4g system to itu t

phase i report requirements advanced computer networks - May 04 2023

web jan 18 2023 you to see guide phase i report requirements advanced computer networks as you such as by searching the title publisher or authors of guide you really want you can discover them rapidly in the house workplace or perhaps in your

method can be every best area within net connections

phase i report requirements advanced computer networks - Apr 03 2023

web may 20 2023 phase i report requirements advanced computer networks chemicals can be found in many of the products we use in our everyday lives some chemicals pose risks to humans and the environment under the toxic substances control act tsca and the pollution prevention act epa evaluates potential risks from new and existing

phase i report requirements advanced computer networks - Oct 09 2023

web phase i report requirements advanced computer networks advanced overrunning clutch technology design phase future directions for nsf advanced computing infrastructure to support u s science and engineering in 2017 2020 technology requirements for advanced earth orbital transportation systems summary report

phase i report requirements advanced computer networks - Aug 07 2023

web phase i report requirements advanced computer networks to itu t in late 2009 as meeting the requirements of the imt advanced standard and was standardized by the 3rd generation partnership project in march 2011 as 3gpp release 10 turing father of the modern computer rutherford journal june 23rd 2018 part i of alan turing father of

read free phase i report requirements advanced computer networks - Jun 05 2023

web phase i report requirements advanced computer networks guide to advanced computer networking ques ans aug 07 2022 computer networks may 12 2020 computer networking a top down approach featuring the internet 3 e oct 29 2021 advanced data mining and applications jul 14 2020

far cry new dawn pc specs and system requirements - Sep 27 2022

web the bold art direction we have taken for this game is all about a colorful hopeful and inviting world which we know will benefit a great deal from the power of current pc hardware we hope that players will love the fresh new look of far cry new dawn read on for the minimum and recommended system requirements supported peripherals and

phase i report requirements advanced computer networks pdf - Jul 06 2023

web propulsion systemsnasa reports required by congressadvance reports of the annual meetingadvanced ccis segment of the deployable command post phase 1 and 2 reportthe purpose of this document is to describe the technological foundations that have been identified for

phase i report requirements advanced computer networks - Dec 31 2022

web jun 1 2023 phase i report requirements advanced computer networks and countless books selections from fictions to scientific explorationh in any way you cannot call for more interval to invest to go to the ebook launch as adeptly as search for them

phase i report requirements advanced computer networks - Apr 22 2022

web phase i report requirements advanced computer networks 1 phase i report requirements advanced computer networks advanced ccis segment of the deployable command post phase 1 and 2 report fcc record future directions for nsf advanced computing infrastructure to support u s science and engineering in 2017

phase i report requirements advanced computer networks - Mar 22 2022

web phase i report requirements advanced computer networks 1 omb no phase i report requirements advanced computer networks new course oral book reports high intermediate advanced english advanced for drummers

infosys quarterly results and filings of q1 2020 2021 - Nov 29 2022

web standalone and consolidated results and regulation 33 auditors reports press releases ifrs usd ifrs inr fact sheet download financial statements ifrs financial information ifrs usd earnings for three months ended june 30 2020 ifrs usd auditors report for three months ended june 30 2020

read free phase i report requirements advanced computer networks - Sep 08 2023

web phase i report requirements advanced computer networks future directions for nsf advanced computing infrastructure to support u s science and engineering in 2017 2020 jun 28 2023 advanced computing capabilities are used to tackle a rapidly growing range of challenging science and

phase i report requirements advanced computer networks - Jun 24 2022

web phase i report requirements advanced computer networks downloaded from ftp dartgo org by guest aidan alex implementation requirements for four advanced urban transportation systems scientific and technical aerospace reportslists citations with abstracts for aerospace related reports obtained from world wide sources and

phase i report requirements advanced computer networks pdf - Feb 01 2023

web phase i report requirements advanced computer networks right here we have countless book phase i report requirements advanced computer networks and collections to check out we additionally come up with the money for variant types and along

far cry new dawn system requirements can you run it - Aug 27 2022

web system requirements lab runs millions of pc requirements tests on over 8 500 games a month can you run it here are the far cry new dawn system requirements minimum cpu intel core i5 2400 amd fx 6350 3 9 ghz cpu speed info ram 8 gb video card nvidia geforce gtx 670 amd r9 270 2gb vram with shader

ubisoft s far cry new dawn system requirements outed - Oct 29 2022

web jan 16 2019 far cry new dawn official pc requirements minimum configuration operating system windows 7 sp1 windows 8 1 windows 10 64bit versions only processor intel core i5 2400 3 1 ghz or amd fx 6350 3 9 ghz ram 8gb video card nvidia geforce gtx 670 2gb or amd radeon r9 270x 2gb or

