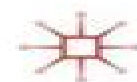
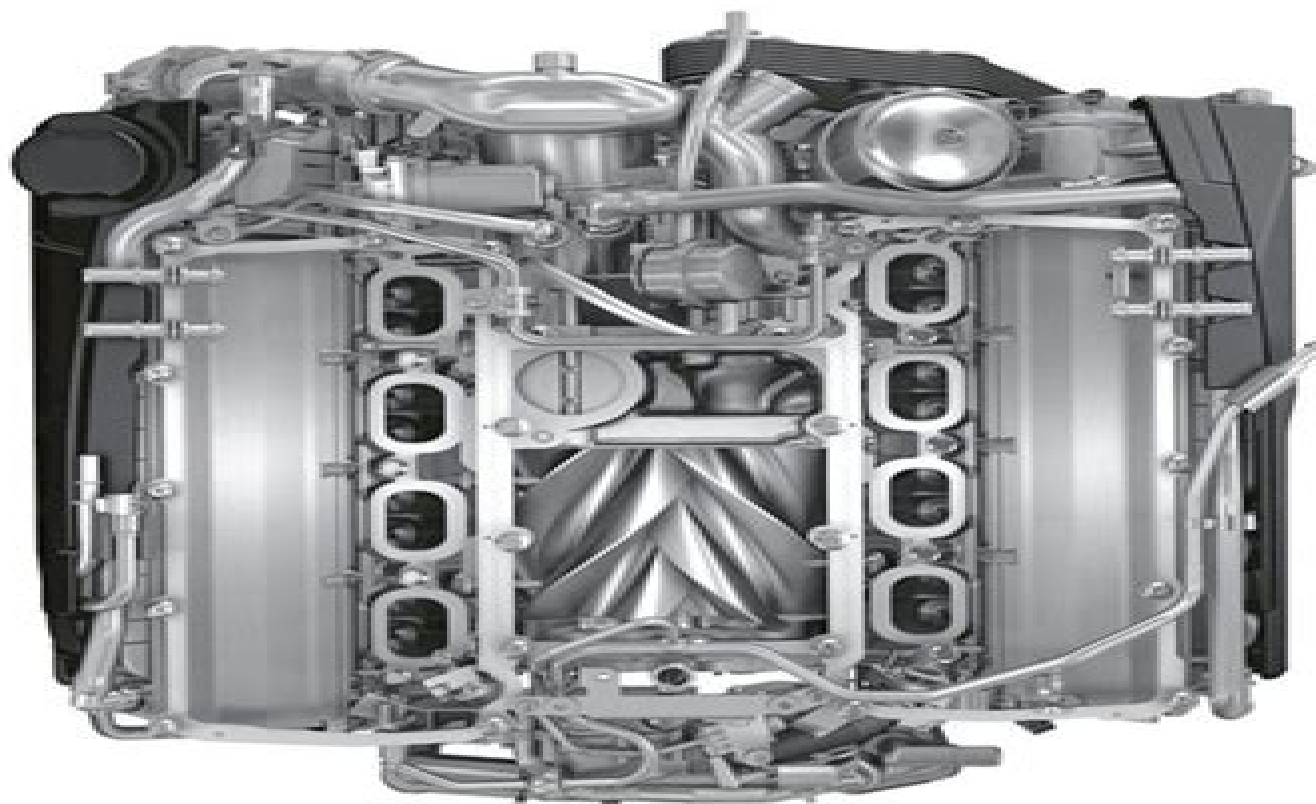


INTRODUCTION TO INTERNAL COMBUSTION ENGINES

RICHARD STONE

4th Edition



Introduction To Internal Combustion Engine Richard Stone

David Kirk



Introduction To Internal Combustion Engine Richard Stone:

Decoding **Introduction To Internal Combustion Engine Richard Stone**: Revealing the Captivating Potential of Verbal Expression

In a time characterized by interconnectedness and an insatiable thirst for knowledge, the captivating potential of verbal expression has emerged as a formidable force. Its capability to evoke sentiments, stimulate introspection, and incite profound transformations is genuinely awe-inspiring. Within the pages of "**Introduction To Internal Combustion Engine Richard Stone**," a mesmerizing literary creation penned with a celebrated wordsmith, readers set about an enlightening odyssey, unraveling the intricate significance of language and its enduring impact on our lives. In this appraisal, we shall explore the book's central themes, evaluate its distinctive writing style, and gauge its pervasive influence on the hearts and minds of its readership.

<https://py.bijouxmedusa.com/About/browse/fetch.php/Ford%20Fiesta%20TDCI%20Diesel%20Repair%20Manual.pdf>

Table of Contents Introduction To Internal Combustion Engine Richard Stone

1. Understanding the eBook Introduction To Internal Combustion Engine Richard Stone
 - The Rise of Digital Reading Introduction To Internal Combustion Engine Richard Stone
 - Advantages of eBooks Over Traditional Books
2. Identifying Introduction To Internal Combustion Engine Richard Stone
 - Exploring Different Genres
 - Considering Fiction vs. Non-Fiction
 - Determining Your Reading Goals
3. Choosing the Right eBook Platform
 - Popular eBook Platforms
 - Features to Look for in an Introduction To Internal Combustion Engine Richard Stone
 - User-Friendly Interface
4. Exploring eBook Recommendations from Introduction To Internal Combustion Engine Richard Stone
 - Personalized Recommendations

- Introduction To Internal Combustion Engine Richard Stone User Reviews and Ratings
- Introduction To Internal Combustion Engine Richard Stone and Bestseller Lists
- 5. Accessing Introduction To Internal Combustion Engine Richard Stone Free and Paid eBooks
 - Introduction To Internal Combustion Engine Richard Stone Public Domain eBooks
 - Introduction To Internal Combustion Engine Richard Stone eBook Subscription Services
 - Introduction To Internal Combustion Engine Richard Stone Budget-Friendly Options
- 6. Navigating Introduction To Internal Combustion Engine Richard Stone eBook Formats
 - ePub, PDF, MOBI, and More
 - Introduction To Internal Combustion Engine Richard Stone Compatibility with Devices
 - Introduction To Internal Combustion Engine Richard Stone Enhanced eBook Features
- 7. Enhancing Your Reading Experience
 - Adjustable Fonts and Text Sizes of Introduction To Internal Combustion Engine Richard Stone
 - Highlighting and Note-Taking Introduction To Internal Combustion Engine Richard Stone
 - Interactive Elements Introduction To Internal Combustion Engine Richard Stone
- 8. Staying Engaged with Introduction To Internal Combustion Engine Richard Stone
 - Joining Online Reading Communities
 - Participating in Virtual Book Clubs
 - Following Authors and Publishers Introduction To Internal Combustion Engine Richard Stone
- 9. Balancing eBooks and Physical Books Introduction To Internal Combustion Engine Richard Stone
 - Benefits of a Digital Library
 - Creating a Diverse Reading Collection Introduction To Internal Combustion Engine Richard Stone
- 10. Overcoming Reading Challenges
 - Dealing with Digital Eye Strain
 - Minimizing Distractions
 - Managing Screen Time
- 11. Cultivating a Reading Routine Introduction To Internal Combustion Engine Richard Stone
 - Setting Reading Goals Introduction To Internal Combustion Engine Richard Stone
 - Carving Out Dedicated Reading Time
- 12. Sourcing Reliable Information of Introduction To Internal Combustion Engine Richard Stone
 - Fact-Checking eBook Content of Introduction To Internal Combustion Engine Richard Stone

- Distinguishing Credible Sources
- 13. Promoting Lifelong Learning
 - Utilizing eBooks for Skill Development
 - Exploring Educational eBooks
- 14. Embracing eBook Trends
 - Integration of Multimedia Elements
 - Interactive and Gamified eBooks

Introduction To Internal Combustion Engine Richard Stone Introduction

Free PDF Books and Manuals for Download: Unlocking Knowledge at Your Fingertips In today's fast-paced digital age, obtaining valuable knowledge has become easier than ever. Thanks to the internet, a vast array of books and manuals are now available for free download in PDF format. Whether you are a student, professional, or simply an avid reader, this treasure trove of downloadable resources offers a wealth of information, conveniently accessible anytime, anywhere. The advent of online libraries and platforms dedicated to sharing knowledge has revolutionized the way we consume information. No longer confined to physical libraries or bookstores, readers can now access an extensive collection of digital books and manuals with just a few clicks. These resources, available in PDF, Microsoft Word, and PowerPoint formats, cater to a wide range of interests, including literature, technology, science, history, and much more. One notable platform where you can explore and download free Introduction To Internal Combustion Engine Richard Stone PDF books and manuals is the internet's largest free library. Hosted online, this catalog compiles a vast assortment of documents, making it a veritable goldmine of knowledge. With its easy-to-use website interface and customizable PDF generator, this platform offers a user-friendly experience, allowing individuals to effortlessly navigate and access the information they seek. The availability of free PDF books and manuals on this platform demonstrates its commitment to democratizing education and empowering individuals with the tools needed to succeed in their chosen fields. It allows anyone, regardless of their background or financial limitations, to expand their horizons and gain insights from experts in various disciplines. One of the most significant advantages of downloading PDF books and manuals lies in their portability. Unlike physical copies, digital books can be stored and carried on a single device, such as a tablet or smartphone, saving valuable space and weight. This convenience makes it possible for readers to have their entire library at their fingertips, whether they are commuting, traveling, or simply enjoying a lazy afternoon at home. Additionally, digital files are easily searchable, enabling readers to locate specific information within seconds. With a few keystrokes, users can search for keywords, topics, or phrases, making research and finding relevant information a breeze. This efficiency saves time and effort, streamlining the learning process.

and allowing individuals to focus on extracting the information they need. Furthermore, the availability of free PDF books and manuals fosters a culture of continuous learning. By removing financial barriers, more people can access educational resources and pursue lifelong learning, contributing to personal growth and professional development. This democratization of knowledge promotes intellectual curiosity and empowers individuals to become lifelong learners, promoting progress and innovation in various fields. It is worth noting that while accessing free Introduction To Internal Combustion Engine Richard Stone PDF books and manuals is convenient and cost-effective, it is vital to respect copyright laws and intellectual property rights. Platforms offering free downloads often operate within legal boundaries, ensuring that the materials they provide are either in the public domain or authorized for distribution. By adhering to copyright laws, users can enjoy the benefits of free access to knowledge while supporting the authors and publishers who make these resources available. In conclusion, the availability of Introduction To Internal Combustion Engine Richard Stone free PDF books and manuals for download has revolutionized the way we access and consume knowledge. With just a few clicks, individuals can explore a vast collection of resources across different disciplines, all free of charge. This accessibility empowers individuals to become lifelong learners, contributing to personal growth, professional development, and the advancement of society as a whole. So why not unlock a world of knowledge today? Start exploring the vast sea of free PDF books and manuals waiting to be discovered right at your fingertips.

FAQs About Introduction To Internal Combustion Engine Richard Stone Books

1. Where can I buy Introduction To Internal Combustion Engine Richard Stone books? Bookstores: Physical bookstores like Barnes & Noble, Waterstones, and independent local stores. Online Retailers: Amazon, Book Depository, and various online bookstores offer a wide range of books in physical and digital formats.
2. What are the different book formats available? Hardcover: Sturdy and durable, usually more expensive. Paperback: Cheaper, lighter, and more portable than hardcovers. E-books: Digital books available for e-readers like Kindle or software like Apple Books, Kindle, and Google Play Books.
3. How do I choose a Introduction To Internal Combustion Engine Richard Stone book to read? Genres: Consider the genre you enjoy (fiction, non-fiction, mystery, sci-fi, etc.). Recommendations: Ask friends, join book clubs, or explore online reviews and recommendations. Author: If you like a particular author, you might enjoy more of their work.
4. How do I take care of Introduction To Internal Combustion Engine Richard Stone books? Storage: Keep them away from direct sunlight and in a dry environment. Handling: Avoid folding pages, use bookmarks, and handle them with

- clean hands. Cleaning: Gently dust the covers and pages occasionally.
5. Can I borrow books without buying them? Public Libraries: Local libraries offer a wide range of books for borrowing. Book Swaps: Community book exchanges or online platforms where people exchange books.
 6. How can I track my reading progress or manage my book collection? Book Tracking Apps: Goodreads, LibraryThing, and Book Catalogue are popular apps for tracking your reading progress and managing book collections. Spreadsheets: You can create your own spreadsheet to track books read, ratings, and other details.
 7. What are Introduction To Internal Combustion Engine Richard Stone audiobooks, and where can I find them? Audiobooks: Audio recordings of books, perfect for listening while commuting or multitasking. Platforms: Audible, LibriVox, and Google Play Books offer a wide selection of audiobooks.
 8. How do I support authors or the book industry? Buy Books: Purchase books from authors or independent bookstores. Reviews: Leave reviews on platforms like Goodreads or Amazon. Promotion: Share your favorite books on social media or recommend them to friends.
 9. Are there book clubs or reading communities I can join? Local Clubs: Check for local book clubs in libraries or community centers. Online Communities: Platforms like Goodreads have virtual book clubs and discussion groups.
 10. Can I read Introduction To Internal Combustion Engine Richard Stone books for free? Public Domain Books: Many classic books are available for free as they're in the public domain. Free E-books: Some websites offer free e-books legally, like Project Gutenberg or Open Library.

Find Introduction To Internal Combustion Engine Richard Stone :

[ford fiesta tdc diesel repair manual](#)

[**financial accounting ifrs edition**](#)

[fluid mechanics cengel 2nd edition si](#)

[final examination question paper of fitting machining](#)

[farming simulator 17 fs17 mods farmingsimulator17 com](#)

[food safety culture](#)

[feb march controlled test papers 2014 grade 12](#)

[ford escort rs turbo mk4 haynes manual](#)

[feedback control systems phillips solution manual](#)

[fluid electrolyte and acid base imbalances content review plus practice questions davisplus 1st edition by hale msn ba rn](#)

[allison hovey msn rn cne mary jo 2013 paperback](#)

[fluid mechanics yunus cengel](#)

[for improving english vocabulary novels](#)

[fly me to the moon chords guitarsteve](#)

ford 289 302 boss 302 and 351 w hi po

fce for schools practice test answers

Introduction To Internal Combustion Engine Richard Stone :

cpa evolution becker - Sep 07 2023

web cpa exam transition timeline this asset includes important dates as the cpa exam transitions including exam application deadlines last day of testing in 2023 first day of testing in 2024 and tentative testing schedule score release windows in 2024 january 2023 download pdf

cpa regulation exam review 24 month access becker - Oct 28 2022

web start your cpa journey right with becker s cpa regulation reg exam review get 24 month access to the best in class instructors vast library of multiple choice and task based simulation questions simulated exams skillbuilder video solution videos and more

reg becker 2013 updates forum another71 com - Apr 02 2023

web jul 25 2013 hi all i m using becker 2012 materials and my exam is within this window july august 13 in becker s 2013 tax update they mentioned that the itemized medical limitation is 10 of agi rather than 7 5 in 2012 also they mentioned that 179 amounts are 500 000 2 000 000 also the personal exemption is updated to 3 900 from 3 800

[becker cpa regulation updates 2013 textra com](#) - Apr 21 2022

web becker cpa regulation updates 2013 3 3 meet the scope and sequence requirements of the introductory course on management this is a traditional approach to management using the leading planning organizing and controlling approach management is a broad business discipline and the principles of management course covers many management

becker professional education wikipedia - Jun 23 2022

web becker professional education is a company that offers educational resources for professionals in the areas of accounting finance and project management becker is best known as the largest provider of training for candidates who are preparing to sit for the united states us cpa exam in order to become certified public accountants

[becker cpa review regulation course textbook and lecture](#) - Jun 04 2023

web becker cpa review regulation course textbook and lecture errata clarifications 2012 exam edition date page item

erratum clarification item c expense deduction in lieu of depreciation section 179 covers the 2012 and 2013 section 179 rules the following covers the rules applicable to 2011 bonus depreciation is extended through 2012

becker update 2014 regul cpa exam forum - Sep 26 2022

web feb 27 2014 apparently becker went through a major upgrade i got a message saying that if i haven t started studying yet or barely started i should switch to the 2014 version however i m almost done with the 2013 version plus i m taking the exam in

becker cpa regulation reg v4 0 for exams scheduled after - Nov 28 2022

web jan 1 2021 becker cpa regulation reg v4 0 for exams scheduled after june 30 2021 becker on amazon com free shipping on qualifying offers

july 2021 cpa exam what s changing becker - Jan 31 2023

web mar 29 2021 the cpa exam will retain its four traditional sections aud bec far and reg the 4 hour time limit per section and the number of testlets and questions in each section has not changed far and reg have the fewest number of changes and aud and bec contain the majority of the content changes

table of contents becker - Dec 30 2022

web becker s cpa exam review 2013 edition becker s cpa exam review course software manual 3 purpose of guide the purpose of this course software manual is to provide guidance to those installing the desktop version of becker s cpa exam review software on their local computer

becker software updates cpa exam forum another71 com - Aug 06 2023

web sep 13 2013 becker com cpa review i don t know if i m not explaining myself correctly but i m not looking for the content updates errata clarifications just the list of software updates to the downloaded 2013 review course

download free becker cpa regulation updates 2013 - Feb 17 2022

web becker cpa regulation updates 2013 wiley s cpa 2023 study guide question pack regulation nov 19 2022 prepare for the reg portion of the 2023 cpa exams with this authoritative study aid wiley s cpa 2023 study guide practice questions regulation is a comprehensive two volume set that will walk you

becker cpa regulation updates 2013 - Mar 21 2022

web attempting to converge u s regulations with international accounting standards this book describes the process for setting accounting regulations in the united states attempts to establish international standards and the barriers confronted u s involvement in international activities through a process known

aud far reg becker - May 23 2022

web taxation and regulation mostly the same but incorporating technology topics while specialty content moved to tcp

discipline specific domains bar business analysis and reporting will test more complex technical accounting topics certain ones will be in both far and bar covering advanced accounting areas cpa exam candidates select one

reg updates for 2nd half of 2013 cpa exam forum - May 03 2023

web nov 1 2013 i ve been using becker to study and there does not appear to be too many updates for reg content wise since the beginning of the year does anyone know of where to find updates for the 2013 material post may

cpa replacement books upgrades becker - Oct 08 2023

web oct 3 2023 if you need help requesting your becker cpa books visit our getting started page if you are in need of a becker cpa replacement book becker offers the opportunity to purchase one in most cases this is because you ve already received your textbooks and an updated version is available becker cpa replacement books can be purchased for

[becker cpa login cpa online](#) - Aug 26 2022

web becker professional education corporation all rights reserved

[becker professional education youtube](#) - Jul 25 2022

web becker provides cpa exam review cma exam review and cpe continued professional education with expert instructors high quality content flexible learning formats including on demand resources

audit textbook v4 3 becker - Jul 05 2023

web audit textbook v4 3 the v4 3 textbook is designed to complement the v4 3 of the audit course and is valid for testing through december 15 2023

reg updates becker cpa exam forum - Mar 01 2023

web jun 20 2013 i am using the 2013 becker self study and worried about what numbers i should memorize i have heard phaseouts and standard deductions exemptions are not ninja cpa review

14 project completion certificate books pdf doc - Nov 26 2021

project completion certificate format pdf scribd - Jul 03 2022

web project completion certificate templates a project getting certificate in word is somebody award issued by the project managers to the contractors it shall awarded upon the completion of your project work awarding contractors with the project completion certificate shows that there is no remaining work left for the contractors also the

free project completion certificate word templates - Mar 11 2023

web a project completion certificate is very important for the projects that we have it is proof that we have achieved something it is good fruit from all our efforts well do you need a

[9 best work completion certificates for ms word word](#) - May 13 2023

web printable certificates by canva if you need to make a certificate ditch the typical certificate design and get creative instead of going for a plain layout make a colorful and modern certificate design in minutes with canva you don t need to start from scratch with our certificate templates

project completion award certificate templates editable - Mar 31 2022

free printable certificate templates you can customize canva - Nov 07 2022

web may 18 2022 on completion of big or important projects often the employees showing remarkable performance are awarded certificates these certificates are given out to

23 free certificate of completion templates word powerpoint - Feb 27 2022

14 project completion certificate templates pdf doc word - Feb 10 2023

web project completion certificate format uploaded by raj kumar madhavaraj copyright attribution non commercial by nc available formats download as doc pdf txt

free custom printable certificate of completion templates - Apr 12 2023

web download this project completion certificate template design in psd word google docs illustrator apple pages publisher indesign format easily editable printable downloadable needing a file that gives proof that a certain project or construction work has gone through the proper inspections that ensure that quality and safety of the

project completion certificate template - Sep 05 2022

web certificate of project completion it is a sample letter format of requesting completion certificate for the project project completion letter sample format can help those who want to save their time in choosing the right words for

construction certificate of completion templates workyard - Jun 02 2022

web august 1 2021 how to prepare project certificate with examples hello friends today we are present here with an important topic today s topic is project certificates yes all of

project completion certificate format documents required - May 01 2022

web apr 17 2021 there are all kinds of project completion certificate formats that include project completion certificate for college students for companies and for clients in this

free sample certificate of project templates - Jan 29 2022

4 certificate templates for completion of a project - Jun 14 2023

web award school students or even company employees is mba or a software degree since their work by creating a design

from our project completion certificate templates

[project completion certificate word format sample template](#) - Dec 28 2021

[14 project completion certificate templates pdf doc](#) - Jul 15 2023

web printable completion certificates by canva certificates of completion are valuable to any person who has completed an event course or project after all finishing any type

[free 18 project completion certificate samples in ms](#) - Dec 08 2022

web dec 21 2022 a project completion certificate is provided by the concerned authority after the construction of a building or property is completed according to an approved

15 project completion certificate templates ai - Oct 06 2022

web download and print your certificate of completion template if possible download your certificate of completion template into a pdf format and then this can be easily printed and awarded to the recipients award your students now you can award students for their achievements and hard work click to rate this post

[5 certificate for project completion templates in ms](#) - Jan 09 2023

web to create a certificate of completion in word you can follow these steps launch microsoft word on your computer choose a template in the word application go to file and then new to see the template gallery to view available certificate templates type certificate or certificate of completion into the search field

project completion certificate templates word excel - Aug 16 2023

web may 14 2019 a project completion certificate would be a notification as well as proof that the project has been completed successfully it can be kept in the record file and can

[how to prepare project certificate with examples gyanipandit](#) - Oct 26 2021

[project completion certificate template word format free](#) - Sep 24 2021

[26 sample project completion certificate in pdf photoshop](#) - Aug 04 2022

web a project completion certificate is a legal document issued after the developer declares that the construction of the project or land has been completed in accordance with the

an introduction to life underwriting 1972 edition open library - Oct 26 2022

web an introduction to life underwriting an organized study program of the basic principles of life insurance salesmanship by research review service of america

introduction to life underwriting 9780793115525 abebooks - Sep 24 2022

web abebooks com introduction to life underwriting 9780793115525 and a great selection of similar new used and collectible books available now at great prices

introduction to life underwriting open library - Oct 06 2023

web introduction to life underwriting by dearborn financial institute april 2001 kaplan publishing edition paperback in english 11th rev edition introduction to life underwriting by dearborn financial institute open library

life insurance underwriting what is it how it works - Jul 23 2022

web jul 19 2023 insurance companies compile answers to insurer queries through a process called as life insurance underwriting here s a detailed guide on the process are you a tobacco user

introduction to life underwriting 9780793149285 abebooks - Dec 28 2022

web introduction to life underwriting gives new agents the knowledge necessary to generate sales ideas and such skill in organizing and presenting those ideas that prospects will be led to the conclusion yes i ll buy

introduction to life underwriting dearborn financial institute - Aug 04 2023

web introduction to life underwriting gives new agents the knowledge necessary to generate sales ideas and such skill in organizing and presenting those ideas that prospects will be led to the conclusion yes i ll buy if you are taking this course for ce the ce exam will automatically be added to your basket when selecting ce credit

introduction to life underwriting goodreads - Jul 03 2023

web dec 31 1991 introduction to life underwriting gives new agents the knowledge necessary to generate sales ideas and such skill in organizing and presenting those ideas that prospects will be led to the conclusion yes i ll buy if you are taking this course for ce the ce exam will automatically be added to your basket when selecting ce credit

introduction to life underwriting open library - Mar 31 2023

web introduction to life underwriting by april 1994 r r newkirk edition paperback

life insurance underwriting how it works what you need to - Jun 21 2022

web sep 24 2019 life insurance underwriting the bottom line the underwriting process is there to help ensure an appropriate amount of coverage for your family s financial situation all of the steps and information gathering ensure that happens in order to help you provide for your family

introduction to life underwriting open library - Sep 05 2023

web dec 17 2020 introduction to life underwriting by dearborn financial institute 2005 dearborn financial institute edition in english 12th ed introduction to life

introduction to life underwriting ceu - Aug 24 2022

web module 1 introduction to life underwriting module 2 types of life insurance module 3 policy provisions and options module 4 the application and the premium module 5 serving the customer module 6 effective organization and the future *underwriting in life insurance definition a complete guide* - Apr 19 2022

web nov 3 2023 underwriting underwriting refers to a process of consideration given to a life insurance application to determine whether the life insurance policy should be issued for an individual or not based on the person s risk profile this process is carried out a person known as underwriter who evaluates the life insurance application

introduction life underwriting abebooks - Nov 26 2022

web introduction to life underwriting by dearborn financial publishing staff and a great selection of related books art and collectibles available now at abebooks com

gen re releases 2023 u s individual life accelerated underwriting - Feb 15 2022

web oct 27 2023 portland maine business wire gen re has released results of the 2023 u s individual life accelerated underwriting survey this comprehensive survey covers topics including throughput rates

[life insurance underwriting process explained best life quote](#) - May 21 2022

web compare rates using the quote form on this page or call us at 800 712 8519 doug mitchell clu holds a ba degree in finance from auburn university as well as having obtained a chartered life underwriter clu designation from the american college in

life insurance underwriting the national institute of - Feb 27 2023

web life insurance underwriting 3 0 introduction life insurance underwriting is the process of accepting the proposal of the customer based on the guidelines formulated by the insurance company the insurance companies codify a set of procedures which must be followed before accepting any new business

an introduction to underwriting in life insurance - Jan 29 2023

web aug 18 2023 underwriting is one of the most important steps in getting a life insurance policy it s when your provider evaluates your case and assesses its level of risk the underwriting process is used to determine what policies and the amount of coverage you qualify for as well as how much you will have to pay in premiums for your policy

[textbooks and curriculum the academy of life underwriting](#) - Jun 02 2023

web students are responsible for selected readings as outlined in the introduction to basic life insurance underwriting 10th edition alu 201 exam textbooks there are two textbooks for the alu 201 examination the first textbook is intermediate medical life insurance underwriting 8th edition published by the academy of life underwriting

intro life underwriting the malaysian insurance institute - May 01 2023

web introduction to life underwriting in this course we ll discuss the concept of life underwriting and the roles

responsibilities and steps involved in the underwriting process we ll also discuss how to apply what you ve learned into practice

[what is life insurance underwriting process complete guide](#) - Mar 19 2022

web after completing the underwriting process and checking all the medical and financial backgrounds the policyholder is offered a life insurance policy based on the rejection or acceptance of the new policy tenure your policy is then issued the entire process takes 3 to 8 weeks then the premium rates will be confirmed and the policy is signed