

Activity - Practice with Complex Circuits

$$V = IR$$

Part I

In the circuits below, the voltage of the battery is 12 V and each resistor is 2 Ω . For each circuit:

- Describe the circuit and any assumptions you make. Which resistors are in series? Which are in parallel?
- Calculate the current through each resistor and the voltage across each resistor.

$$\text{Total: } 8 + 2 = 10$$

$$\text{Series} = 2 + 2 + 2 + 2 = 8 \Omega$$

$$\text{Parallel} = \frac{1}{2} = 2 \Omega$$

$$V = IR \rightarrow I = \frac{V}{R} = \frac{12}{10} = 1.2 \text{ A}$$

$$A = \frac{2 \Omega}{4.67} (12)$$

5.13

$$2 + 2 = 4 \Omega (\text{series}) \quad \frac{1}{2} + \frac{1}{2} + \frac{1}{2} = \frac{3}{2} = \frac{2}{3} (\text{parallel})$$

$$4 + \frac{2}{3} = 4.67 \Omega = \text{total}$$

$$V = IR$$

$$I = \frac{V}{R} = \frac{12}{4.67}$$

$$I = 2.57$$

$$\frac{2.57 \text{ A}}{3} = 0.86 \text{ A}$$

$$V = IR$$

$$V = (0.86) \left(\frac{2}{3}\right)$$

$$V = 0.57 \text{ V}$$

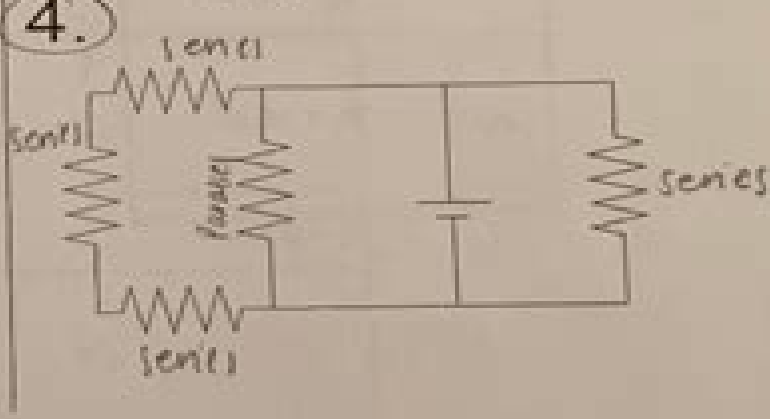
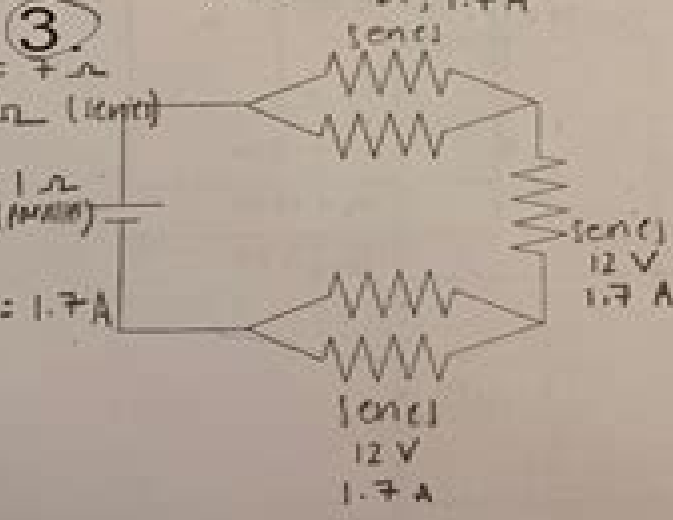
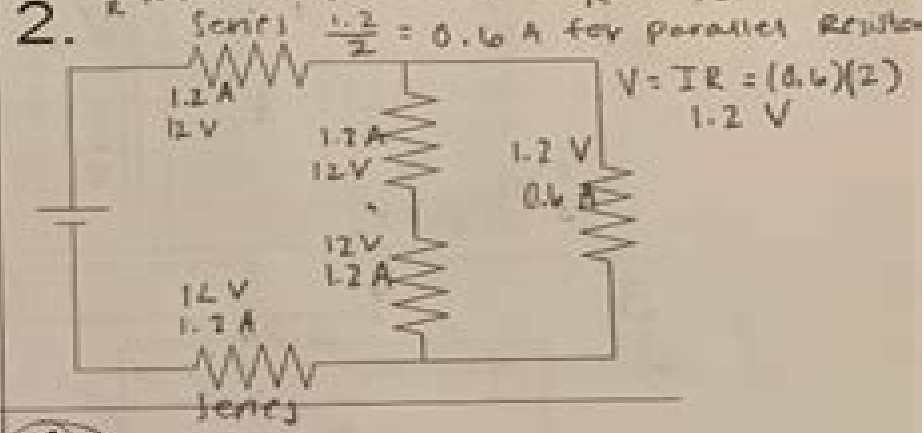
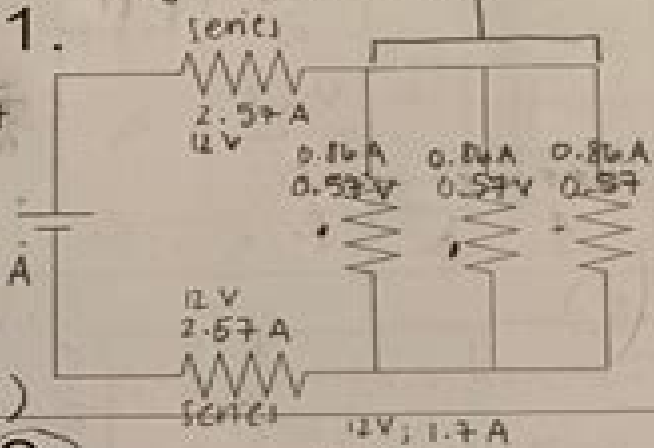
$$\text{Total } R = 6 + 1 = 7 \Omega$$

$$2 + 2 + 2 = 6 \Omega (\text{series})$$

$$\frac{1}{2} + \frac{1}{2} = \frac{2}{2} = 1 \Omega (\text{parallel})$$

$$V = IR$$

$$I = \frac{V}{R} = \frac{12}{7} = 1.7 \text{ A}$$



Complex Circuit Problems And Solutions

Sanjeev Kumar, Peter J. Bentley



Complex Circuit Problems And Solutions:

Electric Circuit Problems with Solutions F. A. Benson, 2012-12-06 Electrical engineering and electronic engineering students have frequently to resolve and simplify quite complex circuits in order to understand them or to obtain numerical results and a sound knowledge of basic circuit theory is therefore essential The author is very much in favour of tutorials and the solving of problems as a method of education Experience shows that many engineering students encounter difficulties when they first apply their theoretical knowledge to practical problems Over a period of about twenty years the author has collected a large number of problems on electric circuits while giving lectures to students attending the first two post intermediate years of University engineering courses The purpose of this book is to present these problems a total of 365 together with many solutions some problems with answers given at the end of each Chapter are left as student exercises in the hope that they will prove of value to other teachers and students Solutions are separated from the problems so that they will not be seen by accident The answer is given at the end of each problem however for convenience Parts of the book are based on the author's previous work *Electrical Engineering Problems with Solutions* which was published in 1954

Practical Synthesis of High-Performance Analog Circuits Emil S. Ochotta, Tamal Mukherjee, Rob A. Rutenbar, L. Richard Carley, 2012-12-06 *Practical Synthesis of High Performance Analog Circuits* presents a technique for automating the design of analog circuits Market competition and the astounding pace of technological innovation exert tremendous pressure on circuit design engineers to turn ideas into products quickly and get them to market In digital Application Specific Integrated Circuit ASIC design computer aided design CAD tools have substantially eased this pressure by automating many of the laborious steps in the design process thereby allowing the designer to maximise his design expertise But the world is not solely digital Cellular telephones magnetic disk drives neural networks and speech recognition systems are a few of the recent technological innovations that rely on a core of analog circuitry and exploit the density and performance of mixed analog digital ASICs To maximize profit these mixed signal ASICs must also make it to market as quickly as possible However although the engineer working on the digital portion of the ASIC can rely on sophisticated CAD tools to automate much of the design process there is little help for the engineer working on the analog portion of the chip With the exception of simulators to verify the circuit design when it is complete there are almost no general purpose CAD tools that an analog design engineer can take advantage of to automate the analog design flow and reduce his time to market *Practical Synthesis of High Performance Analog Circuits* presents a new variation tolerant analog synthesis strategy that is a significant step towards ending the wait for a practical analog synthesis tool A new synthesis strategy is presented that can fully automate the path from a circuit topology and performance specifications to a sized variation tolerant circuit schematic This strategy relies on asymptotic waveform evaluation to predict circuit performance and simulated annealing to solve a novel non linear infinite programming optimization formulation of the circuit synthesis problem via a sequence of smaller optimization problems

Practical Synthesis of High Performance Analog Circuits will be of interest to analog circuit designers CAD EDA industry professionals academics and students *Electric Circuit Problems with Solutions* F. A. Benson,1975-04-24 Electrical engineering and electronic engineering students have frequently to resolve and simplify quite complex circuits in order to understand them or to obtain numerical results and a sound knowledge of basic circuit theory is therefore essential The author is very much in favour of tutorials and the solving of problems as a method of education Experience shows that many engineering students encounter difficulties when they first apply their theoretical knowledge to practical problems Over a period of about twenty years the author has collected a large number of problems on electric circuits while giving lectures to students attending the first two post intermediate years of University engineering courses The purpose of this book is to present these problems a total of 365 together with many solutions some problems with answers given at the end of each Chapter are left as student exercises in the hope that they will prove of value to other teachers and students Solutions are separated from the problems so that they will not be seen by accident The answer is given at the end of each problem however for convenience Parts of the book are based on the author's previous work *Electrical Engineering Problems with Solutions* which was published in 1954 **University of Colorado Catalogue** University of Colorado,1929 *Bulletin* University of Colorado Boulder,1928 **Electric Circuit Problems** Frank Atkinson Benson,1967 Numerical Methods for Nonlinear Engineering Models John R. Hauser,2009-03-24 There are many books on the use of numerical methods for solving engineering problems and for modeling of engineering artifacts In addition there are many styles of such presentations ranging from books with a major emphasis on theory to books with an emphasis on applications The purpose of this book is hopefully to present a somewhat different approach to the use of numerical methods for engineering applications Engineering models are in general nonlinear models where the response of some appropriate engineering variable depends in a nonlinear manner on the variation of some independent parameter It is certainly true that for many types of engineering models it is sufficient to approximate the real physical world by some linear model However when engineering environments are pushed to extreme conditions nonlinear effects are always encountered It is also such extreme conditions that are of major importance in determining the reliability or failure limits of engineering systems Hence it is essential that engineers have a toolbox of modeling techniques that can be used to model nonlinear engineering systems Such a set of basic numerical methods is the topic of this book For each subject area treated nonlinear models are incorporated into the discussion from the very beginning and linear models are simply treated as special cases of more general nonlinear models This is a basic and fundamental difference in this book from most books on numerical methods **Proceedings of the Twenty-Third Annual Conference of the Cognitive Science Society** Johanna D. Moore,Keith Stenning,2001 Vol includes all papers and posters presented at 2001 Cog Sci Mtg summaries of symposia invited addresses Deals w issues of repres model g cog processes Appeals to scholars in subdisciplines that comprise Cog Sci Psych Computr Sci Neuro Lin *Catalogue Number* University

of Colorado,1930 **Principles of Mercury Arc Rectifiers and Their Circuits** David Chandler Prince,Francis Brooke Vogdes,1927 **A Top-down Design Solution for Improved Testability in High Performance Circuits and Systems** Huoy-Yu Liou,1995 **New Technical Books** ,1926 **Fundamentals of Circuits, Electronics, and Signal Analysis** Kendall Ling-chiao Su,1978 *On Growth, Form and Computers* Sanjeev Kumar,Peter J. Bentley,2003-10-03 Conceived for both computer scientists and biologists alike this collection of 22 essays highlights the important new role that computers play in developmental biology research Essays show how through computer modeling researchers gain further insight into developmental processes Featured essays also cover their use in designing computer algorithms to tackle computer science problems in areas like neural network design robot control evolvable hardware and more Peter Bentley noted for his prolific research on evolutionary computation and Sanjeev Kumar head up a respected team to guide readers through these very complex and fascinating disciplines Covers both developmental biology and computational development the only book of its kind Provides introductory material and more detailed information on BOTH disciplines Includes contributions from Richard Dawkins Lewis Wolpert Ian Stewart and many other experts **Electrical World** ,1928 **Electronic Circuits** David Paul Casasent,1973 **Evolvable Systems: From Biology to Hardware** Gregory S. Hornby,Lukas Sekanina,2008-09-08 This book constitutes the refereed proceedings of the 8th International Conference on Evolvable Systems ICES 2008 held in Prague Czech Republic in September 2008 The 28 revised full papers and 14 revised poster papers presented were carefully reviewed and selected from 52 submissions The papers are organized in topical sections on evolution of analog circuits evolution of digital circuits hardware software codesign and platforms for adaptive systems evolutionary robotics development real world applications evolutionary networking evolvable artificial neural networks and transistor level circuit evolution **Special Report** Great Britain. Radio Research Board,1929 *Fundamental Principles of Electric and Magnetic Circuits* Fred Alan Fish,1928 *The Analysis and Design of Linear Circuits* Roland E. Thomas,Albert J. Rosa,Gregory J. Toussaint,2020-07-15 While most texts focus on how and why electric circuits work *The Analysis and Design of Linear Circuits* taps into engineering students desire to explore create and put their learning into practice Students from across disciplines will gain a practical in depth understanding of the fundamental principles underlying so much of modern everyday technology Early focus on the analysis design and evaluation of electric circuits promotes the development of design intuition by allowing students to test their designs in the context of real world constraints and practical situations This updated Ninth Edition features an emphasis on the use of computer software including Excel MATLAB and Multisim building a real world problem solving style that reflects that of practicing engineers Software skills are integrated with examples and exercises throughout the text and coverage of circuit design and evaluation frequency response mutual inductance ac power circuits and other central topics has been revised for clarity and ease of understanding With an overarching goal of instilling smart judgement surrounding design problems and innovative solutions

this unique text provides inspiration and motivation alongside an essential knowledge base

If you ally habit such a referred **Complex Circuit Problems And Solutions** books that will have the funds for you worth, get the agreed best seller from us currently from several preferred authors. If you desire to humorous books, lots of novels, tale, jokes, and more fictions collections are with launched, from best seller to one of the most current released.

You may not be perplexed to enjoy every ebook collections Complex Circuit Problems And Solutions that we will definitely offer. It is not nearly the costs. Its roughly what you craving currently. This Complex Circuit Problems And Solutions, as one of the most functional sellers here will very be among the best options to review.

<https://py.bijouxmedusa.com/public/browse/fetch.php/iit%20jee%20study%20material%20study%20material%20for%20jee.pdf>

Table of Contents Complex Circuit Problems And Solutions

1. Understanding the eBook Complex Circuit Problems And Solutions
 - The Rise of Digital Reading Complex Circuit Problems And Solutions
 - Advantages of eBooks Over Traditional Books
2. Identifying Complex Circuit Problems And Solutions
 - Exploring Different Genres
 - Considering Fiction vs. Non-Fiction
 - Determining Your Reading Goals
3. Choosing the Right eBook Platform
 - Popular eBook Platforms
 - Features to Look for in an Complex Circuit Problems And Solutions
 - User-Friendly Interface
4. Exploring eBook Recommendations from Complex Circuit Problems And Solutions
 - Personalized Recommendations
 - Complex Circuit Problems And Solutions User Reviews and Ratings
 - Complex Circuit Problems And Solutions and Bestseller Lists

5. Accessing Complex Circuit Problems And Solutions Free and Paid eBooks
 - Complex Circuit Problems And Solutions Public Domain eBooks
 - Complex Circuit Problems And Solutions eBook Subscription Services
 - Complex Circuit Problems And Solutions Budget-Friendly Options
6. Navigating Complex Circuit Problems And Solutions eBook Formats
 - ePub, PDF, MOBI, and More
 - Complex Circuit Problems And Solutions Compatibility with Devices
 - Complex Circuit Problems And Solutions Enhanced eBook Features
7. Enhancing Your Reading Experience
 - Adjustable Fonts and Text Sizes of Complex Circuit Problems And Solutions
 - Highlighting and Note-Taking Complex Circuit Problems And Solutions
 - Interactive Elements Complex Circuit Problems And Solutions
8. Staying Engaged with Complex Circuit Problems And Solutions
 - Joining Online Reading Communities
 - Participating in Virtual Book Clubs
 - Following Authors and Publishers Complex Circuit Problems And Solutions
9. Balancing eBooks and Physical Books Complex Circuit Problems And Solutions
 - Benefits of a Digital Library
 - Creating a Diverse Reading Collection Complex Circuit Problems And Solutions
10. Overcoming Reading Challenges
 - Dealing with Digital Eye Strain
 - Minimizing Distractions
 - Managing Screen Time
11. Cultivating a Reading Routine Complex Circuit Problems And Solutions
 - Setting Reading Goals Complex Circuit Problems And Solutions
 - Carving Out Dedicated Reading Time
12. Sourcing Reliable Information of Complex Circuit Problems And Solutions
 - Fact-Checking eBook Content of Complex Circuit Problems And Solutions
 - Distinguishing Credible Sources
13. Promoting Lifelong Learning

- Utilizing eBooks for Skill Development
 - Exploring Educational eBooks
14. Embracing eBook Trends
- Integration of Multimedia Elements
 - Interactive and Gamified eBooks

Complex Circuit Problems And Solutions Introduction

Complex Circuit Problems And Solutions Offers over 60,000 free eBooks, including many classics that are in the public domain. Open Library: Provides access to over 1 million free eBooks, including classic literature and contemporary works. Complex Circuit Problems And Solutions Offers a vast collection of books, some of which are available for free as PDF downloads, particularly older books in the public domain. Complex Circuit Problems And Solutions : This website hosts a vast collection of scientific articles, books, and textbooks. While it operates in a legal gray area due to copyright issues, its a popular resource for finding various publications. Internet Archive for Complex Circuit Problems And Solutions : Has an extensive collection of digital content, including books, articles, videos, and more. It has a massive library of free downloadable books. Free-eBooks Complex Circuit Problems And Solutions Offers a diverse range of free eBooks across various genres. Complex Circuit Problems And Solutions Focuses mainly on educational books, textbooks, and business books. It offers free PDF downloads for educational purposes. Complex Circuit Problems And Solutions Provides a large selection of free eBooks in different genres, which are available for download in various formats, including PDF. Finding specific Complex Circuit Problems And Solutions, especially related to Complex Circuit Problems And Solutions, might be challenging as theyre often artistic creations rather than practical blueprints. However, you can explore the following steps to search for or create your own Online Searches: Look for websites, forums, or blogs dedicated to Complex Circuit Problems And Solutions, Sometimes enthusiasts share their designs or concepts in PDF format. Books and Magazines Some Complex Circuit Problems And Solutions books or magazines might include. Look for these in online stores or libraries. Remember that while Complex Circuit Problems And Solutions, sharing copyrighted material without permission is not legal. Always ensure youre either creating your own or obtaining them from legitimate sources that allow sharing and downloading. Library Check if your local library offers eBook lending services. Many libraries have digital catalogs where you can borrow Complex Circuit Problems And Solutions eBooks for free, including popular titles. Online Retailers: Websites like Amazon, Google Books, or Apple Books often sell eBooks. Sometimes, authors or publishers offer promotions or free periods for certain books. Authors Website Occasionally, authors provide excerpts or short stories for free on their websites. While this might not be the Complex Circuit Problems And Solutions full book , it can give you a taste of the authors writing

style.Subscription Services Platforms like Kindle Unlimited or Scribd offer subscription-based access to a wide range of Complex Circuit Problems And Solutions eBooks, including some popular titles.

FAQs About Complex Circuit Problems And Solutions Books

1. Where can I buy Complex Circuit Problems And Solutions books? Bookstores: Physical bookstores like Barnes & Noble, Waterstones, and independent local stores. Online Retailers: Amazon, Book Depository, and various online bookstores offer a wide range of books in physical and digital formats.
2. What are the different book formats available? Hardcover: Sturdy and durable, usually more expensive. Paperback: Cheaper, lighter, and more portable than hardcovers. E-books: Digital books available for e-readers like Kindle or software like Apple Books, Kindle, and Google Play Books.
3. How do I choose a Complex Circuit Problems And Solutions book to read? Genres: Consider the genre you enjoy (fiction, non-fiction, mystery, sci-fi, etc.). Recommendations: Ask friends, join book clubs, or explore online reviews and recommendations. Author: If you like a particular author, you might enjoy more of their work.
4. How do I take care of Complex Circuit Problems And Solutions books? Storage: Keep them away from direct sunlight and in a dry environment. Handling: Avoid folding pages, use bookmarks, and handle them with clean hands. Cleaning: Gently dust the covers and pages occasionally.
5. Can I borrow books without buying them? Public Libraries: Local libraries offer a wide range of books for borrowing. Book Swaps: Community book exchanges or online platforms where people exchange books.
6. How can I track my reading progress or manage my book collection? Book Tracking Apps: Goodreads, LibraryThing, and Book Catalogue are popular apps for tracking your reading progress and managing book collections. Spreadsheets: You can create your own spreadsheet to track books read, ratings, and other details.
7. What are Complex Circuit Problems And Solutions audiobooks, and where can I find them? Audiobooks: Audio recordings of books, perfect for listening while commuting or multitasking. Platforms: Audible, LibriVox, and Google Play Books offer a wide selection of audiobooks.
8. How do I support authors or the book industry? Buy Books: Purchase books from authors or independent bookstores. Reviews: Leave reviews on platforms like Goodreads or Amazon. Promotion: Share your favorite books on social media or recommend them to friends.
9. Are there book clubs or reading communities I can join? Local Clubs: Check for local book clubs in libraries or

community centers. Online Communities: Platforms like Goodreads have virtual book clubs and discussion groups.

10. Can I read Complex Circuit Problems And Solutions books for free? Public Domain Books: Many classic books are available for free as they're in the public domain. Free E-books: Some websites offer free e-books legally, like Project Gutenberg or Open Library.

Find Complex Circuit Problems And Solutions :

[iit jee study material study material for jee](#)

[hydraulique et hydrologie e eacutedition](#)

[how to stop worrying and start living revised edition 1st pocket books print](#)

[human behavior in organization medina](#)

how to get an equity research analyst job a guide to starting a career in asset management by elcock gillian d november 29 2010 paperback

ian sneddon solutions partial

[hospitality industry managerial accounting 7th edition answer key](#)

house of bush house of saud the secret relationship between the worlds two most powerful dynasties

hotel housekeeping checklist form pdf

[igcse biology past papers answers](#)

[hotel housekeeping training manual andrews](#)

icar handbook of animal husbandry

human physiology integrated approach 5th edition answer

[icao a history of the international civil aviation organization](#)

ib math sl paper 1 2012 mark scheme

Complex Circuit Problems And Solutions :

tn2 workbook answer key solucionario top notch 2 third - May 17 2023

web top notch 2 second edition unit 6 workbook answer key unit 6 exercise 1 1 false 2 true 3 false 4 false 5 false 6 true

exercise 2 1 the healthiest foods are at the bottom

top notch 2 unit 6 lesson 2 make an excuse to decline food - Oct 10 2022

web download top notch 2 unit 6 10 and more english summaries in pdf only on docsity name class date

[top notch 2 unit 6 preview busyteacher](#) - Jul 07 2022

web 27 questions copy edit live session assign show answers see preview multiple choice 30 seconds 1 pt is there shampoo on the bathroom shelf some any

top notch 2 ent203 fpt studocu - Oct 30 2021

workbook answer key unit 6 useful stuff - Aug 20 2023

web top notch 2 second edition unit 6 workbook answer key unit 6 exercise 1 1 false 2 true 3 false 4 5 false 6 true exercise 2 1 the healthiest foods are at the bottom of the

[my english lab top notch 2 review test unit 6](#) - Apr 16 2023

web craving powerful desire have no idea don t know i d better pass i should say no i couldn t resist i couldn t stop myself i m watching my weight i m trying not to get

[top notch 2b workbook answer key third edition unit 6 unit](#) - Mar 15 2023

web 1 pt you george s brother isn t aren t doesn t multiple choice 30 seconds 1 pt greta speak italian doesn t wasn t hasn t multiple choice 30

[top notch 2 unit 6 workbook answer pdf](#) - Nov 30 2021

student book tn2 ak Đáp án top notch 2 third edition 1 - Aug 08 2022

web top notch level 2b unit 6 lesson 2 answers english myenglishlab topnotch lista de reproducción youtube com playlist list plemjatjvwombd1fcxmrboj

topnotch 2 unit 6 quiz answer key worksheet - Jun 18 2023

web top notch 2b workbook answer key third edition unit 6 unit 6 exercise 1 1 false 2 true 3 studocu itd7ditxu5e unit exercise false true false false false true exercise you

top notch 2 unit 6 quizizz - Mar 03 2022

web top notch 2 third edition part 1 pdf sách gk unit 1 5 tài liệu av review 5 lesson 910 tiếng anh 2 1 cambridge bec 4 higher students book with answers examination

[top notch 2 unit 6 with answers pdf obesity nutrition scribd](#) - Sep 21 2023

web 1 barry eat a lot of fries but he s cutting back b 2 dawson like tofu but now he s crazy about it c 3 what did paul eat when he was vegan a 4

[top notch 2 grammar chart unit 6 pdf question](#) - Feb 14 2023

web dec 29 2018 19 9k subscribers 5 5k views 4 years ago top notch 2 second edition top notch book is an award winning

communicative course for adults and young adults

top notch 1 workbook answers unit 6 pdf sports scribd - Jan 01 2022

top notch 2 unit 6 10 summaries english docsity - Jun 06 2022

web general test 2 us listen to the conversation read the statements then listen again and mark each statement 10 true or false
5 bente modern at 6 ben fds the painting too

top notch 2 unit 6 practice 127 plays quizizz - Nov 11 2022

web top notch 2 unit 6 preview found a mistake it's a powerpoint for teachers to help them present their lesson efficiently it goes side by side with students course book it's

[top notch 2 student book grammar booster studylib net](#) - May 05 2022

web top notch 1 workbook answers unit 6 uploaded by jose key answer copyright all rights reserved flag for inappropriate content of 1 exercise 1 6 does kyle play

unit 06 work book ak pdf cooking food and drink scribd - Jan 13 2023

web 1 tina is allergic to doesn't care for is crazy about spicy food 2 jeremy can't stand is avoiding is crazy about food made with salt and oil 3 ryan's food tastes both sweet

final exam top notch 2 unit 6 pdf cuisine taste scribd - Sep 09 2022

web unit 1 lesson 1 exercise a 1 live 7 climb 2 be 8 go 3 fly 9 see 4 go 10 travel 5 be 11 tour 6 visit 12 be not exercise b answers will vary but may include the following 1 what big

myenglishlab top notch 2 unit 6 youtube - Jul 19 2023

web jan 24 2022 me ayudarias mucho dándole like compartiendo y suscribiéndote el presente video solo es para temas didácticos y no me responsabilizo por el uso de

top notch 2 unit 6 eating well flashcards quizlet - Dec 12 2022

web student book tn2 ak **Đáp án top notch 2 third edition 1 grammar readiness self check the simple studocu** **Đáp án book answer key note in communicative**

test final 6 10 top notch 2 pdf scribd - Feb 02 2022

top notch level 2b unit 6 lesson 2 answers youtube - Apr 04 2022

web develops competence and confidence in all four skills top notch fundamentals b feb 18 2023 top notch 1b contains units 6 10 from the top notch 1 student's book plus the

[egyptian god anubis mask template free printable papercraft templates](#) - Jul 14 2023

web egyptian god anubis mask template printable egyptian god anubis mask print out color and cut out a paper mask outline or use a colored template to make the beautiful mask in seconds free for personal educational editorial or non commercial use

anubis paper mask etsy - Jan 08 2023

web anubis mask jackal mask diy paper mask printable template papercraft 3d mask polygon low poly geometric costume pattern pdf hekreations

diy anubis mask 3d papercrafts templates themes - Mar 10 2023

web jan 8 2019 template of anubis papermask size of model height 36 cm width 19 cm depth 34 cm equipment 1 pdf templates with detailed instructions 3 sheets 1 pdf

diy anubis mask 3d papercrafts creative daddy - Apr 30 2022

web template of anubis papermask size of model height 36 cm width 19 cm depth 34 cm equipment 1 pdf templates with detailed instructions 3 sheets 1 pdf file with details 6 sheets 1 pdf file with brief information 1 sheet we will provide you designed templates it will take around 1 5 hrs to build this model

anubis mask templates pdf dt workshop - Jun 01 2022

web papercraft egyptian mythology papertrophy low poly 3d origami fun activity to do by yourself or with your children download and print our pdf templates files then you will have to score cut and fold the pieces finally enjoy to assemble your papercraft and be proud of your own handmade anubis mask out of paper

make an anubis egyptian god mask printable at happythought - Mar 30 2022

web egyptian god anubis diy paper mask printable template

egyptian anubis mask papercraft masks templates by ntnanos - Aug 03 2022

web build your own ancient egyptian anubis mask from card with this template diy papercraft masks templates download and make your own egyptian paper craft mask for halloween animal masks cosplay paper masks 3d paper craft school projects and festivals

anubis mask template archives happy paper time - Jul 02 2022

web this anubis mask is a great addition to an egyptian birthday party your kids will love pretending to be the mighty god anubis easy to use just print and cut

diy paper masks printable animal mask templates pinterest - Feb 26 2022

web feb 18 2021 cool paper masks halloween costumes halloween masks kids masks masquerade masks cosplay costume accessories paper sculptures diy paper craft templates and more our masks are fun to build and perfect for halloween birthday parties fancy events weddings or anytime you just want to get into another head all of our

how to make easy paper masks free template so fast - Dec 27 2021

web oct 27 2017 step by step instruction to make easy paper masks download my free templates and print it out if you don t have a printer just apply a copier paper on your screen and trace the template by a pencil cut the cardstock with the template solid lines score and fold the template dot lines

make a 3d paper anubis mask instant download printable youtube - May 12 2023

web oct 10 2022 13 4k subscribers subscribe 2 2k views 10 months ago anubis mask diy download templates happythought co uk product di go way back in time and make your own fantastical diy

diy anubis mask template paper mask costumes happythought - Oct 05 2022

web make an easy anubis mask with happythought s diy mask template the pdf pack includes your egyptian god mask template as well as an anubis mask to color in a anubis fact sheet and coloring in page available to happythought members to download make a 3d paper anubis mask

3d papercrafts anubis mask anubis paper crafts pinterest - Sep 04 2022

web template of anubis papermask size of model height 36 cm width 19 cm depth 34 cm equipment 1 pdf templates with detailed instructions 3 sheets 1 pdf file with details 6 sheets 1 pdf file with brief information 1 sheet we will provide you designed templates it will take around 1 5 hrs to build this model

anubis mask printable template papercraft pdf pattern - Aug 15 2023

web the anubis mask pattern contains a total of 37 pieces spread over 11 pages the pieces are labeled with numbers which you must follow in ascending order to assemble the design 1 2 3 each of the pieces also has numbers on their edges that will allow you to identify the junction points between different pieces

how to make anubis mask with paper or cardboard diy printable template - Jun 13 2023

web jul 31 2021 in this video we will show you how to make anubis mask or jackal mask with paper or cardboard thanks to our printable template whether you are a kid or an

paper mask template etsy - Jan 28 2022

web printable paper dragon masks 6 bold dragon mask designs coloring in black and white mask templates to printout make by happythought 882 6 99 carnival mask silhouette digital svg clipart party halloween mardi gras mask vector digital clipart svg eps ai cdr printable pdf png

anubis mask egypt printable paper template kid craft happy paper - Apr 11 2023

web this anubis mask is a great addition to an egyptian birthday party your kids will love pretending to be the mighty god anubis easy to use just print and cut instructions print out your paper mask using the provided pdf file cut out your mask with scissors attach string or elastic to the ends of your mask

anubis mask jackal mask diy paper mask printable etsy - Dec 07 2022

web aug 19 2023 anubis mask jackal mask diy paper mask printable template papercraft 3d mask polygon low poly geometric costume pattern pdf hekreations

diy anubis mask 3d papercrafts anubis mask paper - Nov 06 2022

web jan 8 2019 template of anubis papermask size of model height 36 cm width 19 cm depth 34 cm equipment 1 pdf templates with detailed instructions 3 sheets 1 pdf

papercraft anubis etsy - Feb 09 2023

web anubis mask papercraft diy adult masquerade mask 3d paper craft printable template downloadable pattern of mask for men egyptian party 155 6 50 dog mask pdf download anubis mask fancy dress papercraft mask cosplay costume masquerade mask 489

the space race to the moon science museum - Jul 01 2023

web may 21 2019 with the 50th anniversary of the moon landing on july 20th 2019 this book celebrates the space race rivalry between the u s and the soviet union readers will

introduction sputnik and the space race 1957 and beyond - Jul 21 2022

web oct 5 2023 the space race begins potential s october 4th bell ringer delves into the 1957 launch of the sputnik satellite a pivotal moment that thrust russia ahead in the

the race to space from sputnik to the moon - Sep 22 2022

web aug 23 2023 the space race from sputnik to the moon landing by dataentry aug 23 2023 deep space 0 comments the space race was a major rivalry between the u s

the space race from sputnik to the moon landing - May 19 2022

web with the 50th anniversary of the moon landing on july 20th 2019 this book celebrates the space race rivalry between the u s and the soviet union readers will learn about the

the space race from sputnik to the mercury project - Apr 17 2022

the race to space from sputnik to the moon landing - Feb 25 2023

web may 21 2019 with the 50th anniversary of the moon landing on july 20th 2019 this book celebrates the space race rivalry between the u s and the soviet union readers will

the space race from sputnik to the moon landing - Nov 24 2022

web nov 4 2023 sputnik and the space race 1957 and beyond the world s first artificial satellite sputnik 1 was launched by the soviet union in 1957 marking the start of the

the race to space from sputnik to the moon landing - Aug 02 2023

web may 1 2019 the space race to the moon is declared soviet union starts to drop behind the human cost of spaceflight a dilemma changes the momentum one small step

[the race to space from the launch of sputnik to the moon](#) - Feb 13 2022

the space race timeline cold war facts history - Sep 03 2023

web may 21 2019 with the 50th anniversary of the moon landing on july 20th 2019 this book celebrates the space race rivalry between the u s and the soviet union readers will

the space race in 7 minutes sputnik to moon landing youtube - Aug 22 2022

web the race to the moon starts with sputnik mercury and explorer 1 a shock to the system by 1957 the world s scientists had begun to talk about the possibility of

[the race to space from sputnik to the moon landing and](#) - Oct 04 2023

web may 21 2019 with the 50th anniversary of the moon landing on july 20th 2019 this book celebrates the space race rivalry between the u s and the soviet union readers will learn about the neck and neck race between the two superpowers through an illustrated

[the race to space overdrive](#) - Dec 26 2022

web the space race in 7 minutes sputnik to moon landing youtube join us on a whirlwind journey through the thrilling history of the space race condensed into just 7 minutes

[the race to space from the launch of sputnik to the moon](#) - Jan 15 2022

space exploration race moon astronauts britannica - Jun 19 2022

web may 21 2019 with the 50th anniversary of the moon landing on 20th july 2019 this book celebrates the space race rivalry between the us and the soviet union readers will

the race to space from the launch of sputnik to the moon - Oct 24 2022

web space exploration race moon astronauts in the immediate aftermath of gagarin s orbital flight president kennedy was advised by nasa and by his vice president lyndon

the race to space from sputnik to the moon landing and - May 31 2023

web with the 50th anniversary of the moon landing on july 20th 2019 this book celebrates the space race rivalry between the u s and the soviet union readers will learn about the

the race to space from sputnik to the moon landing and - Mar 29 2023

web the race to space from sputnik to the moon landing and beyond ebook written by clive gifford read this book using google play books app on your pc android ios

the race to space from sputnik to the moon landing and - Jan 27 2023

web the race to space from the launch of sputnik to the moon landing clive gifford illus by paul daviz words pictures 19 95 64p isbn 978 1 78603 890 6

the path to apollo 11 a timeline of the space race to - Apr 29 2023

web may 21 2019 with the 50th anniversary of the moon landing on 20th july 2019 this book celebrates the space race rivalry between the us and the soviet union readers will

poptential by certell brings the global space race to life - Mar 17 2022