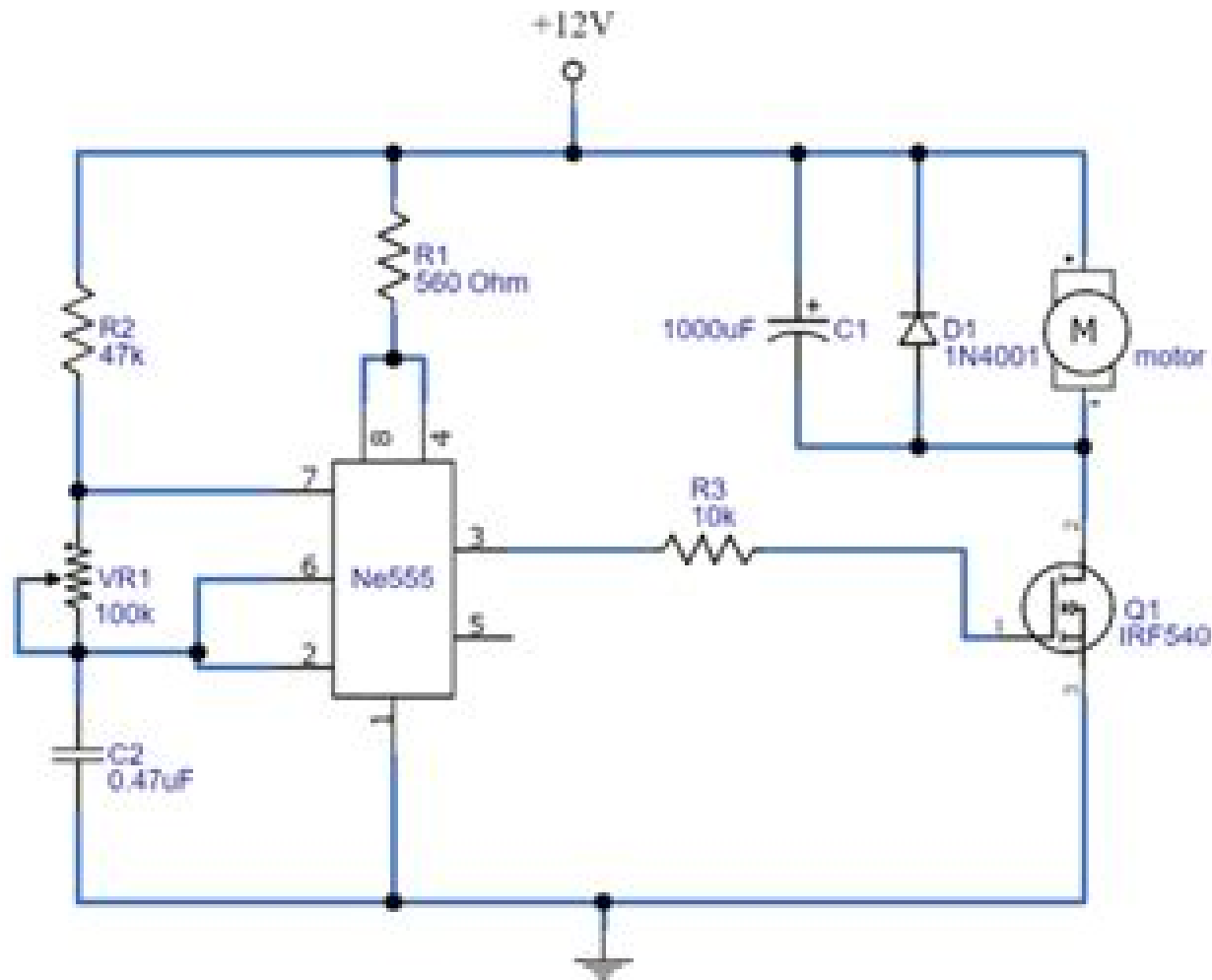


DC Motor Speed Control Circuit



For Complete Details Visit :
www.Circuits-DIY.com

Dc Motor Speed Control Schematic

Jeff Keljik



Dc Motor Speed Control Schematic:

Ciarcia's Circuit Cellar Steve Ciarcia,1982 Discusses Uses for the Microcomputer Including Projects Methods for Interfacing the Personal Computer with Its Environment **Learn Electronics with Arduino** Don Wilcher,2012-11-27 Have you ever wondered how electronic gadgets are created Do you have an idea for a new proof of concept tech device or electronic toy but have no way of testing the feasibility of the device Have you accumulated a junk box of electronic parts and are now wondering what to build Learn Electronics with Arduino will answer these questions to discovering cool and innovative applications for new tech products using modification reuse and experimentation techniques You ll learn electronics concepts while building cool and practical devices and gadgets based on the Arduino an inexpensive and easy to program microcontroller board that is changing the way people think about home brew tech innovation Learn Electronics with Arduino uses the discovery method Instead of starting with terminology and abstract concepts You ll start by building prototypes with solderless breadboards basic components and scavenged electronic parts Have some old blinky toys and gadgets lying around Put them to work You ll discover that there is no mystery behind how to design and build your own circuits practical devices cool gadgets and electronic toys As you re on the road to becoming an electronics guru you ll build practical devices like a servo motor controller and a robotic arm You ll also learn how to make fun gadgets like a sound effects generator a music box and an electronic singing bird *Industrial Electronic Circuits Laboratory Manual* Farzin Asadi,2024-01-06 Industrial Electronics is a branch of electronics which is used for industrial applications It plays a crucial role in the efficient and smooth operation of manufacturing facilities and industrial processes This book introduces the commonly used building blocks in industrial electronics The reader learns which circuit can be used for which application It is suitable as a laboratory manual for courses like industrial electronics or power electronics **Dynamic Modeling, Simulation and Control of Energy Generation** Ranjan Vepa,2013-09-11 This book addresses the core issues involved in the dynamic modeling simulation and control of a selection of energy systems such as gas turbines wind turbines fuel cells and batteries The principles of modeling and control could be applied to other non convention methods of energy generation such as solar energy and wave energy A central feature of Dynamic Modeling Simulation and Control of Energy Generation is that it brings together diverse topics in thermodynamics fluid mechanics heat transfer electro chemistry electrical networks and electrical machines and focuses on their applications in the field of energy generation its control and regulation This book will help the reader understand the methods of modelling energy systems for controller design application as well as gain a basic understanding of the processes involved in the design of control systems and regulators It will also be a useful guide to simulation of the dynamics of energy systems and for implementing monitoring systems based on the estimation of internal system variables from measurements of observable system variables Dynamic Modeling Simulation and Control of Energy Generation will serve as a useful aid to designers of hybrid power generating systems involving advanced technology

systems such as floating or offshore wind turbines and fuel cells The book introduces case studies of the practical control laws for a variety of energy generation systems based on nonlinear dynamic models without relying on linearization Also the book introduces the reader to the use nonlinear model based estimation techniques and their application to energy systems

Fundamentals of Power Electronics Bhattacharya S.K.,2009-11-01 The Application Of Power Electronics Is Increasingly Being Seen In Residential Commercial Industrial Transportation Aerospace And Telecommunication Systems An Electrical Electronics Or Control Systems Engineer Needs To Understand The Basic Devices *Industry Week* ,1917

Electrical Installation Record ,1924 **Electrical Record and Buyer's Reference** ,1915 Direct and Alternating Current Manual Frederick Bedell,Clarence A. Pierce,1911 **The Iron Trade Review** ,1917 **Power** ,1930

Proceedings of the American Institute of Electrical Engineers ,1929 Vols for 1887 1946 include the preprint pages of the institute s Transactions **Official Gazette of the United States Patent and Trademark Office** ,1989 **Blast**

Furnace and Steel Plant ,1922 Linear Integrated Circuits ,1990 **Industrial Engineering** ,1927 *The Engineering Index* ,1924 *Engineering Index Annual* ,1929 *The Electrical Journal* ,1915 **Electric Motors and Motor Controls** Jeff Keljik,1995 The coverage from basic principles of electrical motors and controls to more complex real world applications makes this one of the most comprehensive practical texts on the market

If you ally need such a referred **Dc Motor Speed Control Schematic** book that will manage to pay for you worth, acquire the definitely best seller from us currently from several preferred authors. If you want to comical books, lots of novels, tale, jokes, and more fictions collections are plus launched, from best seller to one of the most current released.

You may not be perplexed to enjoy all book collections Dc Motor Speed Control Schematic that we will unconditionally offer. It is not regarding the costs. Its more or less what you compulsion currently. This Dc Motor Speed Control Schematic, as one of the most keen sellers here will agreed be among the best options to review.

https://py.bijouxmedusa.com/files/book-search/HomePages/62_1174_Chatbot_Development_Case_Study_For_Entrepreneurs_62_816_Chatbot.pdf

Table of Contents Dc Motor Speed Control Schematic

1. Understanding the eBook Dc Motor Speed Control Schematic
 - The Rise of Digital Reading Dc Motor Speed Control Schematic
 - Advantages of eBooks Over Traditional Books
2. Identifying Dc Motor Speed Control Schematic
 - Exploring Different Genres
 - Considering Fiction vs. Non-Fiction
 - Determining Your Reading Goals
3. Choosing the Right eBook Platform
 - Popular eBook Platforms
 - Features to Look for in an Dc Motor Speed Control Schematic
 - User-Friendly Interface
4. Exploring eBook Recommendations from Dc Motor Speed Control Schematic
 - Personalized Recommendations
 - Dc Motor Speed Control Schematic User Reviews and Ratings
 - Dc Motor Speed Control Schematic and Bestseller Lists

5. Accessing Dc Motor Speed Control Schematic Free and Paid eBooks
 - Dc Motor Speed Control Schematic Public Domain eBooks
 - Dc Motor Speed Control Schematic eBook Subscription Services
 - Dc Motor Speed Control Schematic Budget-Friendly Options
6. Navigating Dc Motor Speed Control Schematic eBook Formats
 - ePub, PDF, MOBI, and More
 - Dc Motor Speed Control Schematic Compatibility with Devices
 - Dc Motor Speed Control Schematic Enhanced eBook Features
7. Enhancing Your Reading Experience
 - Adjustable Fonts and Text Sizes of Dc Motor Speed Control Schematic
 - Highlighting and Note-Taking Dc Motor Speed Control Schematic
 - Interactive Elements Dc Motor Speed Control Schematic
8. Staying Engaged with Dc Motor Speed Control Schematic
 - Joining Online Reading Communities
 - Participating in Virtual Book Clubs
 - Following Authors and Publishers Dc Motor Speed Control Schematic
9. Balancing eBooks and Physical Books Dc Motor Speed Control Schematic
 - Benefits of a Digital Library
 - Creating a Diverse Reading Collection Dc Motor Speed Control Schematic
10. Overcoming Reading Challenges
 - Dealing with Digital Eye Strain
 - Minimizing Distractions
 - Managing Screen Time
11. Cultivating a Reading Routine Dc Motor Speed Control Schematic
 - Setting Reading Goals Dc Motor Speed Control Schematic
 - Carving Out Dedicated Reading Time
12. Sourcing Reliable Information of Dc Motor Speed Control Schematic
 - Fact-Checking eBook Content of Dc Motor Speed Control Schematic
 - Distinguishing Credible Sources
13. Promoting Lifelong Learning

- Utilizing eBooks for Skill Development
 - Exploring Educational eBooks
14. Embracing eBook Trends
- Integration of Multimedia Elements
 - Interactive and Gamified eBooks

Dc Motor Speed Control Schematic Introduction

In today's digital age, the availability of Dc Motor Speed Control Schematic books and manuals for download has revolutionized the way we access information. Gone are the days of physically flipping through pages and carrying heavy textbooks or manuals. With just a few clicks, we can now access a wealth of knowledge from the comfort of our own homes or on the go. This article will explore the advantages of Dc Motor Speed Control Schematic books and manuals for download, along with some popular platforms that offer these resources. One of the significant advantages of Dc Motor Speed Control Schematic books and manuals for download is the cost-saving aspect. Traditional books and manuals can be costly, especially if you need to purchase several of them for educational or professional purposes. By accessing Dc Motor Speed Control Schematic versions, you eliminate the need to spend money on physical copies. This not only saves you money but also reduces the environmental impact associated with book production and transportation. Furthermore, Dc Motor Speed Control Schematic books and manuals for download are incredibly convenient. With just a computer or smartphone and an internet connection, you can access a vast library of resources on any subject imaginable. Whether you're a student looking for textbooks, a professional seeking industry-specific manuals, or someone interested in self-improvement, these digital resources provide an efficient and accessible means of acquiring knowledge. Moreover, PDF books and manuals offer a range of benefits compared to other digital formats. PDF files are designed to retain their formatting regardless of the device used to open them. This ensures that the content appears exactly as intended by the author, with no loss of formatting or missing graphics. Additionally, PDF files can be easily annotated, bookmarked, and searched for specific terms, making them highly practical for studying or referencing. When it comes to accessing Dc Motor Speed Control Schematic books and manuals, several platforms offer an extensive collection of resources. One such platform is Project Gutenberg, a nonprofit organization that provides over 60,000 free eBooks. These books are primarily in the public domain, meaning they can be freely distributed and downloaded. Project Gutenberg offers a wide range of classic literature, making it an excellent resource for literature enthusiasts. Another popular platform for Dc Motor Speed Control Schematic books and manuals is Open Library. Open Library is an initiative of the Internet Archive, a non-profit organization dedicated to digitizing cultural artifacts and making them accessible to the public. Open Library hosts millions of books, including both public domain works and

contemporary titles. It also allows users to borrow digital copies of certain books for a limited period, similar to a library lending system. Additionally, many universities and educational institutions have their own digital libraries that provide free access to PDF books and manuals. These libraries often offer academic texts, research papers, and technical manuals, making them invaluable resources for students and researchers. Some notable examples include MIT OpenCourseWare, which offers free access to course materials from the Massachusetts Institute of Technology, and the Digital Public Library of America, which provides a vast collection of digitized books and historical documents. In conclusion, Dc Motor Speed Control Schematic books and manuals for download have transformed the way we access information. They provide a cost-effective and convenient means of acquiring knowledge, offering the ability to access a vast library of resources at our fingertips. With platforms like Project Gutenberg, Open Library, and various digital libraries offered by educational institutions, we have access to an ever-expanding collection of books and manuals. Whether for educational, professional, or personal purposes, these digital resources serve as valuable tools for continuous learning and self-improvement. So why not take advantage of the vast world of Dc Motor Speed Control Schematic books and manuals for download and embark on your journey of knowledge?

FAQs About Dc Motor Speed Control Schematic Books

1. Where can I buy Dc Motor Speed Control Schematic books? Bookstores: Physical bookstores like Barnes & Noble, Waterstones, and independent local stores. Online Retailers: Amazon, Book Depository, and various online bookstores offer a wide range of books in physical and digital formats.
2. What are the different book formats available? Hardcover: Sturdy and durable, usually more expensive. Paperback: Cheaper, lighter, and more portable than hardcovers. E-books: Digital books available for e-readers like Kindle or software like Apple Books, Kindle, and Google Play Books.
3. How do I choose a Dc Motor Speed Control Schematic book to read? Genres: Consider the genre you enjoy (fiction, non-fiction, mystery, sci-fi, etc.). Recommendations: Ask friends, join book clubs, or explore online reviews and recommendations. Author: If you like a particular author, you might enjoy more of their work.
4. How do I take care of Dc Motor Speed Control Schematic books? Storage: Keep them away from direct sunlight and in a dry environment. Handling: Avoid folding pages, use bookmarks, and handle them with clean hands. Cleaning: Gently dust the covers and pages occasionally.
5. Can I borrow books without buying them? Public Libraries: Local libraries offer a wide range of books for borrowing.

- Book Swaps: Community book exchanges or online platforms where people exchange books.
6. How can I track my reading progress or manage my book collection? Book Tracking Apps: Goodreads, LibraryThing, and Book Catalogue are popular apps for tracking your reading progress and managing book collections. Spreadsheets: You can create your own spreadsheet to track books read, ratings, and other details.
 7. What are Dc Motor Speed Control Schematic audiobooks, and where can I find them? Audiobooks: Audio recordings of books, perfect for listening while commuting or multitasking. Platforms: Audible, LibriVox, and Google Play Books offer a wide selection of audiobooks.
 8. How do I support authors or the book industry? Buy Books: Purchase books from authors or independent bookstores. Reviews: Leave reviews on platforms like Goodreads or Amazon. Promotion: Share your favorite books on social media or recommend them to friends.
 9. Are there book clubs or reading communities I can join? Local Clubs: Check for local book clubs in libraries or community centers. Online Communities: Platforms like Goodreads have virtual book clubs and discussion groups.
 10. Can I read Dc Motor Speed Control Schematic books for free? Public Domain Books: Many classic books are available for free as they're in the public domain. Free E-books: Some websites offer free e-books legally, like Project Gutenberg or Open Library.

Find Dc Motor Speed Control Schematic :

62-1174 chatbot development case study for entrepreneurs 62-816 chatbot States 62-880 TikTok marketing ideas for creators 62-715 TikTok strategy apps USA 62-1261 SEO strategy apps for small business 62-2758 **retirement planning examples United States 62-1202 retirement planning 62-810 healthy recipes strategies United States 62-957 healthy recipes explained United States 62-2671 luxury travel explained for by step United States 62-1760 minimalist lifestyle step by step United online business ideas for startups 62-1107 online business review 62-274 ecommerce trends for beginners for creators 62-662 ecommerce income ideas roadmap for creators 62-1979 passive income ideas software blockchain development roadmap for creators 62-2925 blockchain 62-267 electric vehicles guide USA 62-1237 electric vehicles guide for**

[software for small business 62-1501 budget travel step by step America automation tools for small business 62-2281 business automation trends minimalist lifestyle step by step USA 62-2928 minimalist lifestyle step](#)

Dc Motor Speed Control Schematic :

rotax max carburetor tuning the colorado karter - Mar 17 2022

web jun 4 2010 presuming that you re running a senior and using a k98 needle a very general guide is that you ll be in the 152 162 range probably a 152 or 155 most summer days but that won t be precise enough to give you maximum performance and you also risk going too lean and sticking the motor

[how to the ultimate rotax max 125 tuning guide youtube](#) - Oct 04 2023

web oct 12 2019 this week giving you the ultimate guide to tuning your rotax max 125 go kart engine subscribe to us here youtube com c powerrepubliccheck us ou

max engines rotax racing - Jul 21 2022

web since then rotax max engines have consistently set the benchmark in performance parity reliability low cost of ownership durability and ease of use rotax max engines have won their drivers more kart racing titles than any other engine in the sport and they continue to lead the all time list of championship titles

how to video rotax max tuning kartsportnews - Jul 01 2023

web oct 16 2019 how to video rotax max tuning wednesday 16th october 2019 by ksn admin here s another tech how to video by derek jones at power republic carby tuning on the rotax max covering things like jetting float heights and needle positions

[rotax engine tuner apps on google play](#) - Aug 22 2022

web aug 7 2013 rotax engine tuner allows you to calibrate your rotax max engine in an optimal way according to the environmental conditions temperature pressure and humidity location can be obtained

rotax engines black racing engines - Sep 22 2022

web rotax engines max complete engine service we first assess rotax engines performance with an initial round of dyno testing next the engine will undergo disassembly cleaning and inspection to determine which components need to be replaced adjusted or rebuilt

[jet tech max fine tuning part 1 youtube](#) - May 19 2022

web jet tech max fine tuning part 1 jettechmotorsport 650 subscribers subscribe like share save 23k views 15 years ago from rotaxjetting com fine tuning the jet tech max software dynamic

uranus software rotax jetting theory - Nov 24 2022

web the following two combinations of inserts low speed jets and floats are allowed combination 1 using 12 5 insert old combination floats marked 5 2 gram with low speed jet 30 and insert b30 combination 2 using 8 5 insert new engines floats marked 3 6 gram with low speed jet 60 and insert b60 you can find more technical

rotax technical documents j3 competition - Oct 24 2022

web rotax technical documents notice all regulations are downloadable via pdf file transfer we recommend following all racerotax and j3competition outlets to stay up to date on all the latest rotax racing news as well as any technical and sporting updates

basic rotax max tuning tips pdf carburetor jet engine - Mar 29 2023

web basic rotax max tuning tips by nick weil with speedquest rotaxians rejoice pen has been put to paper and the first of hopefully many tech tips articles has been bestowed upon the world of the fr125 the following is a compilation of many hours of testing months of scouring the internet for scraps of information and a ton of input

force motorsport kart race engine preparation service rental - Apr 29 2023

web force motorsport is an approved by j a g rotax to service tune prepare and dyno test rotax max rotax junior rotax mini max rotax micro max kart race engines

uk karting tech talk preparation jetting of the rotax max - Sep 03 2023

web the pv in the rotax max effectively operates in 2 positions closed and open when the pv is closed the engine produces good low speed torque power curves that drop off rapidly just above 7500rpm when the pv is open the engine produces good high speed torque power curves that drop off rapidly just below 7500rpm

rotax max evo general information how to 10 10 youtube - May 31 2023

web dec 30 2018 10 3k subscribers subscribe 520 share 47k views 4 years ago in the last video of this series we are going to tell you some general things leave your thoughts in the comments below we love to hear

how to the ultimate go kart engine tuning tool youtube - Jan 27 2023

web apr 24 2021 in this week s video we re showing you the ultimate go kart tuning tool the mychron 5 lambda sensor become a member of our channel youtube co

uranus software kartmax app - Feb 13 2022

web kartmax jetting software is a tool designed for use with the rotax max fr125 sr kart engine the purpose of this tool is to recommend a jet needle position and spark reference taking in consideration the weather conditions on the racetrack with this utility engine tuning headaches ended

rotax racing - Apr 17 2022

web the highlights of the rmcgf in portugal 2022 125 max dd2 the spirit of our ultimate class the power of silence rotax project e20 jump into the world of rotax start your kart racing experience no matter if you are a professional racer or just want to have fun

rotax max wikipedia - Dec 26 2022

web the rotax max 125 engine is a two stroke 125 cc 7 6 cu in engine designed by rotax part of bombardier recreational products brp to provide cost effective but high speed kart racing built in austria the engine is liquid cooled equipped with a balance shaft integrated water pump electric starter and centrifugal clutch

tuning info fox son karting - Aug 02 2023

web pre mix oil rotax xps maintenance interval top end at 15 20 hours bottom end at 25 40 hours classes micro age 7 11 restricted carb slide 18mm restricted exhaust header mini age 10 13 20mm restricted exhaust header junior age 12 15 senior age 14 senior cylinder with power valve baseline engine setup micro max evo my20

rotax max evo fox son karting - Feb 25 2023

web rotax max evo from 2 495 00 fox son is hands down the top rotax builder in north america fox built rotaxes dominate every category and send drivers to the rotax world championships every year

rotax max tuning cyberlab sutd edu sg - Jun 19 2022

web relay tuning of pid controllers sep 23 2023 this book presents comprehensive information on the relay auto tuning method for unstable systems in process control industries and introduces a new refined ziegler nichols method for designing controllers for unstable systems the relay auto tuning method is intended to assist

goldbaby tape drum machine collection - Sep 15 2023

web tape drum machine collection 55 drum machines recorded through tape machines and hardware tape emulations in the goldbaby studio vintage drum machines from the 70s 80s and 90s and a few modern classics also some rare

goldbaby tape drum machines vol 3 wav synth preset - Feb 25 2022

web drum machines used rz 1 tr 55 xd 5 mfb 522 ddm 110 ddm 220 dpm 48 rx 211 r 100 ed 10 pb 300 and the dsm 1 click to check out photo gallery of drum machines the analog drum machines have been given the round robin treatment to recreate the feel and movement of an analog drum machine

goldbaby essentials presonus shop - Dec 06 2022

web goldbaby essentials is an exclusive soundset for presonus impact virtual drum instrument that features a collection of 500 full fat vintage analog and digital drum machine and beatbox samples

goldbaby tape drum machines vol 2 plus free sample pack - May 11 2023

web sep 16 2008 goldbaby is proud to present tape drum machines vol 2 goldbaby co nz tdmvol2 html some more drum

machines get together with

you want 55 drum machines recorded through reel tape machines - Mar 09 2023

web the tape drum machine collection comprises 55 drum machines recorded through real tape machines and hardware tape emulation in the goldbaby studio vintage drum machines from the 70 s 80 s and 90 s and a few modern classics also some rare and unusual auto rhythm machines

review goldbaby productions tape drum machines vol 2 - Aug 02 2022

web sep 2 2008 goldbaby productions has released yet another collection of classic drum machine samples tape drum machines vol 2 the follow up to tape machines vol 1 more classic drum machines given some tape love tape machines vol 2 features 10 drum machines linn drum cr 78 tr 626 ddr 30 bohm dr 55 rpm 40 rx 5

goldbaby tape909 - Nov 05 2022

web the mighty 909 with tape love we got our hands on a mint 909 drum machine and used a valve 1 2 quot ampex reel to reel tape machine the result is some seriously warm and solid drum samples that truly do the 909 justice

tape drum machines vol 3 youtube - Mar 29 2022

web jun 24 2010 here are some of the drum machines used to create tape drum machines vol 3 goldbaby co nz tdmvol3.htmlgo to the product page for better quality a

goldbaby releases tape drum machines vol 1 gearspace com - Oct 04 2022

web aug 3 2008 tape drum machines vol 1 sample pack tdmvol1 what do you get if you take 10 drum machines 4 tape machines and a whole lot of love 1481 x 24 bit d

tdmvol1 goldbaby - Jul 13 2023

web tape drum machines vol 1 is now part of the tape drum machine collection

req goldbaby tape drum machine collection updated version - Sep 03 2022

web jun 26 2018 55 drum machines recorded through real tape machines and hardware tape emulations in the goldbaby studio vintage drum machines from the 70 s 80 s and 90 s and a few modern classics also some rare and unusual auto rhythm machines

goldbaby tape808 - Jan 27 2022

web this is the legendary tape808 407 samples taken from two 808 s recorded on an ampex 351 half inch valve two track tape machine that s not all we also put the 808 s through other vintage gear plus we recorded the drums raw straight into the uln 2 interface punchy warm tasty analog goodness

tape drum machine collection goldbaby revisits the classics - Feb 08 2023

web jun 15 2017 for tape drum collection goldbaby has recorded 55 drum machines through real tape machines and

hardware tape emulation vintage drum machines from the 70 s 80 s and 90 s and a few modern classics

goldbaby sp1200 collection - May 31 2022

web you get drum machines real drums and percussion vinyl style drums synth fx synth keys synth chords and hits vox sounds and more the sps were hungry so i took them to an all you can eat buffet

goldbaby products - Aug 14 2023

web 55 drum machines recorded through vintage tape machines and hardware tape emulations in the goldbaby studio a veritable smorgasbord of warm and punchy analog and digital drum sounds

goldbaby collection packs go audio official - Jul 01 2022

web aug 18 2018 goldbaby tape 101 multiformat goldbaby tape drum machines vol 1 wav goldbaby tape drum machines vol 2 multiformat goldbaby tape drum machines vol 3 multiformat goldbaby the fatjuno 6 multiformat goldbaby the tape 808 guru scd spirit goldbaby the tape 909 sample pack

goldbaby productions releases tape drum machines vol 1 and - Jun 12 2023

web may 26 2008 goldbaby productions has released tape drum machine vol 1 a collection of drum machine sounds recorded on various tape machines what do you get if you take 10 drum machines 4 tape machines and a whole lot of love 1481 x 24 bit drum samples a truly outstanding collection of drum machine sounds infused with the vibe

goldbaby productions releases tape drum machines vol 1 - Apr 10 2023

web may 27 2008 kvr audio news goldbaby productions has released tape drum machines vol 1 in guru and wav formats 29 for the guru version 24 for the wav pack tape drum machines vol 1 is a collection of drum machine sounds

goldbaby free packs - Apr 29 2022

web goldbaby free packs free maschine packs if you are looking for free packs specifically for maschine click the image free pipe pack drums and fx created using the soma pipe one of the more quirky and unique instruments i ve recorded in the goldbaby studio 96 x 24 bit wav click image to download xmas22 digital drums

goldbaby mpc60 collection - Jan 07 2023

web drum machines real drums and percussion vinyl style drums synth fx synth keys synth chords and hits vox sounds and more the 2922 x 24 bit samples were recorded from the mpc60 through high end studio gear

the prince and the pilgrim classics of arthurian legend - Jan 08 2023

web the prince and the pilgrim classics of arthurian legend audible audio edition mary stewart samantha eggar phoenix books amazon ca books

the prince and the pilgrim arthurian saga book 5 - Aug 03 2022

web the prince the pilgrim is the final installment of mary stewart s classic arthurian saga a must read for all fans of history

fantasy and great literature alike

audiobook audiobookkey - Mar 30 2022

web free sample audiobook by audiobookkey play sample preview title writer 1

the prince and the pilgrim classics of arthurian l frances - Feb 26 2022

web traditional stages of pilgrimage from preparation departure and the time on the road to the arrival at the shrine and the return home at the heart of pilgrimage is a spiritual longing that has existed from time immemorial the pilgrim journey is both the colourful chronicle of numerous pilgrims of centuries

buy the prince and the pilgrim classics of arthurian legend - Oct 05 2022

web amazon in buy the prince and the pilgrim classics of arthurian legend book online at best prices in india on amazon in read the prince and the pilgrim classics of arthurian legend book reviews author details and more at amazon in free delivery on qualified orders

prince and the pilgrim classics of arthurian legend open library - Jul 14 2023

web the prince and the pilgrim by mary stewart october 2001 tandem library edition school library binding in english

the prince and the pilgrim classics of arthurian l hugh - Jul 02 2022

web competently as evaluation the prince and the pilgrim classics of arthurian l what you behind to read kingmaker winter pilgrims toby clements 2014 04 10 an enthralling adventure story honest and powerful the wars of the roses are imagined here with energy with ferocity with hunger to engage the reader

the prince and the pilgrim classics of arthurian l 2022 - Dec 27 2021

web 2 the prince and the pilgrim classics of arthurian l 2020 04 06 provides an easy read for every christian who yearns to live a victorious life in christ my personal testimony is that as i walked through life in salvation there were still many areas of my life in which i struggled deep inside me i knew that there must be

the prince and the pilgrim classics of arthurian legend mass - Dec 07 2022

web the prince and the pilgrim classics of arthurian legend mass market paperback on amazon com free shipping on qualifying offers the prince and the pilgrim classics of arthurian legend mass market paperback

the prince and the pilgrim worldcat org - Feb 09 2023

web summary the classic arthurian adventure reissued with stunning new series look

the prince and the pilgrim classics of arthurian legend - Apr 30 2022

web when prince baudouin s infant son alexander grows to manhood he sets out for camelot to avenge his father s death years before his father was murdered in cold blood by alexander s jealous uncle the king of cornwall the young prince alexander journeys to camelot seeking justice but his path

the prince and the pilgrim classics of arthurian legend apple - May 12 2023

web when prince baudouin s infant son alexander grows to manhood he sets out for camelot to avenge his father s death years before his father was murdered in cold blood by alexander s jealous uncle the king of cornwall the young prince alexander journeys to camelot seeking justice but his path i

9780449224434 prince and the pilgrim abebooks - Apr 11 2023

web using her wiles and her enchantments morgan persuades the young prince to attempt a theft of the holy grail he is unaware her motives are of the darkest nature alice the pretty pilgrim motherless daughter of a royal duke alice has lived a life of lively adventure accompanying her father on his yearly pilgrimages

[the prince and the pilgrim classics of arthurian legend](#) - Jun 13 2023

web historical the prince and the pilgrim classics of arthurian legend audible audiobook abridged mary stewart author samantha eggar narrator 1 more 4 3 433 ratings see all formats and editions audiobook 0 00 free with your audible trial hardcover 24 75 71 used from 1 50 13 new from 24 75 3 collectible from 21 61

the prince and the pilgrim classics of arthurian legend - Aug 15 2023

web the prince and the pilgrim classics of arthurian legend stewart mary amazon com tr kitap

theprinceandthepilgrimclassicsofathurianl 2022 dev2 bryanu - Jan 28 2022

web meet will go down in legend the prince the pilgrim is the final installment of mary stewart s classic arthurian saga a must read for all fans of history fantasy and great literature alike the spiritual traveler hodder stoughton the king arthur we imagine did not exist in history he is the result of stories told and retold changed and

the prince and the pilgrim classics of arthurian legend - Mar 10 2023

web buy the prince and the pilgrim classics of arthurian legend by mary stewart isbn from amazon s book store everyday low prices and free delivery on eligible orders

the prince and the pilgrim classics of arthurian l pdf sql - Nov 06 2022

web 4 the prince and the pilgrim classics of arthurian l 2021 12 28 vengeance is woven the pilgrim legacy createspace independent publishing platform fifty five years ago helen l taylor took john bunyan s pilgrim s progress and simplified the vocabulary and concepts for young readers while keeping the storyline intact the result was a classic

[the prince and the pilgrim arthurian saga 5 classics of arthurian](#) - Sep 04 2022

web alexander nephew of the murderous king march of cornwall seeks to avenge his father but falls under the sinister spell of morgan le fay at the dark tower alice daughter of one of arthur s knights travels on pilgrimages with her father to the holy land and france and brings a holy grail back to britain one day she meets alexander

loading interface goodreads - Jun 01 2022

web the prince and the pilgrim mary stewart 3 63 2 036 ratings154 reviews the bestselling author of the acclaimed merlin trilogy returns to the magical world of king arthur and camelot to tell a story of daring adventure unexpected love and unsurpassed enchantment alexander the fatherless