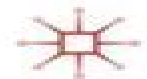
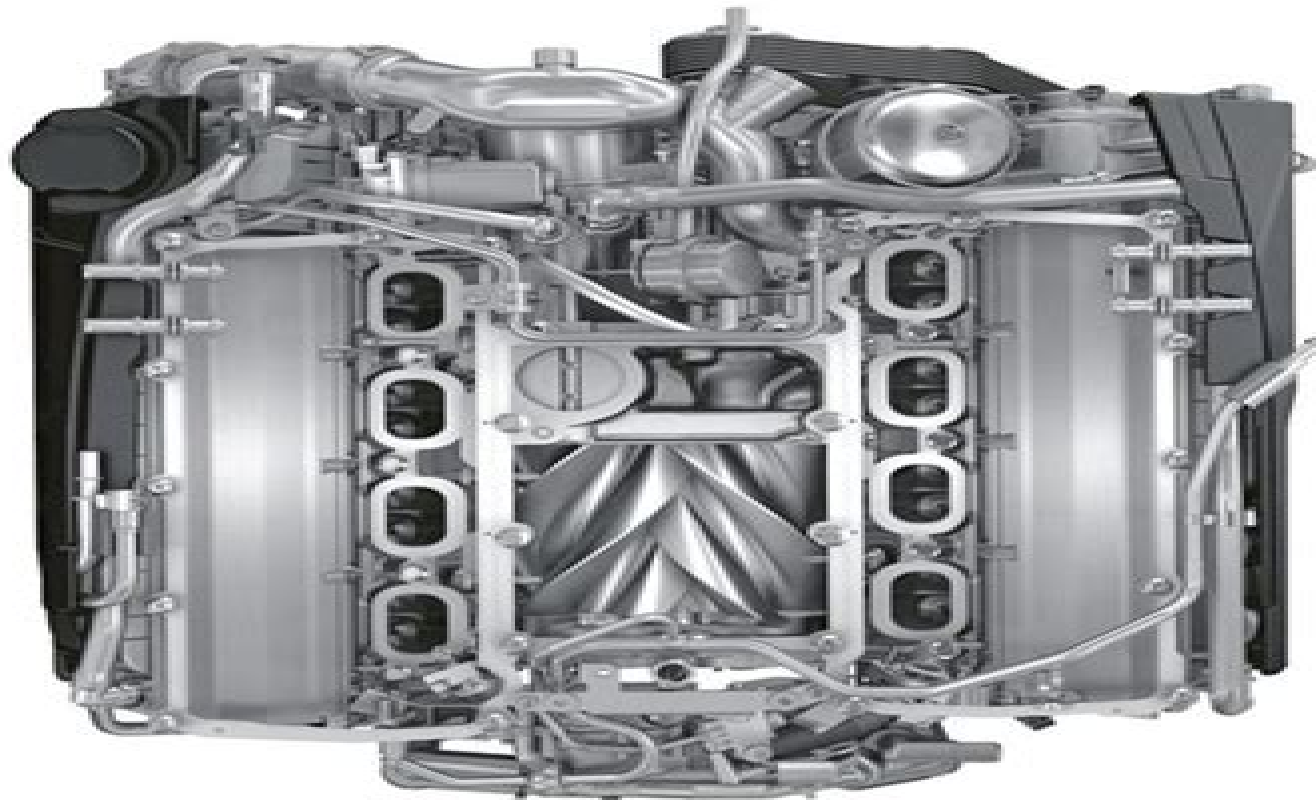


INTRODUCTION TO INTERNAL COMBUSTION ENGINES

RICHARD STONE

4th Edition



Introduction To Internal Combustion Engine Richard Stone

E. M. Goodger, Ray Vere



Introduction To Internal Combustion Engine Richard Stone:

Eventually, you will extremely discover a other experience and carrying out by spending more cash. still when? get you consent that you require to get those all needs afterward having significantly cash? Why dont you try to get something basic in the beginning? Thats something that will lead you to comprehend even more regarding the globe, experience, some places, next history, amusement, and a lot more?

It is your very own become old to play a part reviewing habit. in the course of guides you could enjoy now is **Introduction To Internal Combustion Engine Richard Stone** below.

https://py.bijouxmedusa.com/public/uploaded-files/fetch.php/Study_United_States_79_620_VPN_Services_Case_Study_For_Creators_79_901.pdf

Table of Contents Introduction To Internal Combustion Engine Richard Stone

1. Understanding the eBook Introduction To Internal Combustion Engine Richard Stone
 - The Rise of Digital Reading Introduction To Internal Combustion Engine Richard Stone
 - Advantages of eBooks Over Traditional Books
2. Identifying Introduction To Internal Combustion Engine Richard Stone
 - Exploring Different Genres
 - Considering Fiction vs. Non-Fiction
 - Determining Your Reading Goals
3. Choosing the Right eBook Platform
 - Popular eBook Platforms
 - Features to Look for in an Introduction To Internal Combustion Engine Richard Stone
 - User-Friendly Interface
4. Exploring eBook Recommendations from Introduction To Internal Combustion Engine Richard Stone
 - Personalized Recommendations
 - Introduction To Internal Combustion Engine Richard Stone User Reviews and Ratings
 - Introduction To Internal Combustion Engine Richard Stone and Bestseller Lists

5. Accessing Introduction To Internal Combustion Engine Richard Stone Free and Paid eBooks
 - Introduction To Internal Combustion Engine Richard Stone Public Domain eBooks
 - Introduction To Internal Combustion Engine Richard Stone eBook Subscription Services
 - Introduction To Internal Combustion Engine Richard Stone Budget-Friendly Options
6. Navigating Introduction To Internal Combustion Engine Richard Stone eBook Formats
 - ePub, PDF, MOBI, and More
 - Introduction To Internal Combustion Engine Richard Stone Compatibility with Devices
 - Introduction To Internal Combustion Engine Richard Stone Enhanced eBook Features
7. Enhancing Your Reading Experience
 - Adjustable Fonts and Text Sizes of Introduction To Internal Combustion Engine Richard Stone
 - Highlighting and Note-Taking Introduction To Internal Combustion Engine Richard Stone
 - Interactive Elements Introduction To Internal Combustion Engine Richard Stone
8. Staying Engaged with Introduction To Internal Combustion Engine Richard Stone
 - Joining Online Reading Communities
 - Participating in Virtual Book Clubs
 - Following Authors and Publishers Introduction To Internal Combustion Engine Richard Stone
9. Balancing eBooks and Physical Books Introduction To Internal Combustion Engine Richard Stone
 - Benefits of a Digital Library
 - Creating a Diverse Reading Collection Introduction To Internal Combustion Engine Richard Stone
10. Overcoming Reading Challenges
 - Dealing with Digital Eye Strain
 - Minimizing Distractions
 - Managing Screen Time
11. Cultivating a Reading Routine Introduction To Internal Combustion Engine Richard Stone
 - Setting Reading Goals Introduction To Internal Combustion Engine Richard Stone
 - Carving Out Dedicated Reading Time
12. Sourcing Reliable Information of Introduction To Internal Combustion Engine Richard Stone
 - Fact-Checking eBook Content of Introduction To Internal Combustion Engine Richard Stone
 - Distinguishing Credible Sources
13. Promoting Lifelong Learning

- Utilizing eBooks for Skill Development
 - Exploring Educational eBooks
14. Embracing eBook Trends
- Integration of Multimedia Elements
 - Interactive and Gamified eBooks

Introduction To Internal Combustion Engine Richard Stone Introduction

Introduction To Internal Combustion Engine Richard Stone Offers over 60,000 free eBooks, including many classics that are in the public domain. Open Library: Provides access to over 1 million free eBooks, including classic literature and contemporary works. Introduction To Internal Combustion Engine Richard Stone Offers a vast collection of books, some of which are available for free as PDF downloads, particularly older books in the public domain. Introduction To Internal Combustion Engine Richard Stone : This website hosts a vast collection of scientific articles, books, and textbooks. While it operates in a legal gray area due to copyright issues, its a popular resource for finding various publications. Internet Archive for Introduction To Internal Combustion Engine Richard Stone : Has an extensive collection of digital content, including books, articles, videos, and more. It has a massive library of free downloadable books. Free-eBooks Introduction To Internal Combustion Engine Richard Stone Offers a diverse range of free eBooks across various genres. Introduction To Internal Combustion Engine Richard Stone Focuses mainly on educational books, textbooks, and business books. It offers free PDF downloads for educational purposes. Introduction To Internal Combustion Engine Richard Stone Provides a large selection of free eBooks in different genres, which are available for download in various formats, including PDF. Finding specific Introduction To Internal Combustion Engine Richard Stone, especially related to Introduction To Internal Combustion Engine Richard Stone, might be challenging as theyre often artistic creations rather than practical blueprints. However, you can explore the following steps to search for or create your own Online Searches: Look for websites, forums, or blogs dedicated to Introduction To Internal Combustion Engine Richard Stone, Sometimes enthusiasts share their designs or concepts in PDF format. Books and Magazines Some Introduction To Internal Combustion Engine Richard Stone books or magazines might include. Look for these in online stores or libraries. Remember that while Introduction To Internal Combustion Engine Richard Stone, sharing copyrighted material without permission is not legal. Always ensure youre either creating your own or obtaining them from legitimate sources that allow sharing and downloading. Library Check if your local library offers eBook lending services. Many libraries have digital catalogs where you can borrow Introduction To Internal Combustion Engine Richard Stone eBooks for free, including popular titles. Online Retailers: Websites like Amazon, Google Books, or Apple Books often sell eBooks. Sometimes, authors or publishers offer promotions or free periods for certain books. Authors Website

Occasionally, authors provide excerpts or short stories for free on their websites. While this might not be the Introduction To Internal Combustion Engine Richard Stone full book, it can give you a taste of the authors writing style. Subscription Services Platforms like Kindle Unlimited or Scribd offer subscription-based access to a wide range of Introduction To Internal Combustion Engine Richard Stone eBooks, including some popular titles.

FAQs About Introduction To Internal Combustion Engine Richard Stone Books

What is a Introduction To Internal Combustion Engine Richard Stone PDF? A PDF (Portable Document Format) is a file format developed by Adobe that preserves the layout and formatting of a document, regardless of the software, hardware, or operating system used to view or print it. **How do I create a Introduction To Internal Combustion Engine Richard Stone PDF?** There are several ways to create a PDF: Use software like Adobe Acrobat, Microsoft Word, or Google Docs, which often have built-in PDF creation tools. Print to PDF: Many applications and operating systems have a "Print to PDF" option that allows you to save a document as a PDF file instead of printing it on paper. Online converters: There are various online tools that can convert different file types to PDF. **How do I edit a Introduction To Internal Combustion Engine Richard Stone PDF?** Editing a PDF can be done with software like Adobe Acrobat, which allows direct editing of text, images, and other elements within the PDF. Some free tools, like PDFescape or Smallpdf, also offer basic editing capabilities. **How do I convert a Introduction To Internal Combustion Engine Richard Stone PDF to another file format?** There are multiple ways to convert a PDF to another format: Use online converters like Smallpdf, Zamzar, or Adobe Acrobats export feature to convert PDFs to formats like Word, Excel, JPEG, etc. Software like Adobe Acrobat, Microsoft Word, or other PDF editors may have options to export or save PDFs in different formats. **How do I password-protect a Introduction To Internal Combustion Engine Richard Stone PDF?** Most PDF editing software allows you to add password protection. In Adobe Acrobat, for instance, you can go to "File" -> "Properties" -> "Security" to set a password to restrict access or editing capabilities. Are there any free alternatives to Adobe Acrobat for working with PDFs? Yes, there are many free alternatives for working with PDFs, such as: LibreOffice: Offers PDF editing features. PDFsam: Allows splitting, merging, and editing PDFs. Foxit Reader: Provides basic PDF viewing and editing capabilities. How do I compress a PDF file? You can use online tools like Smallpdf, ILovePDF, or desktop software like Adobe Acrobat to compress PDF files without significant quality loss. Compression reduces the file size, making it easier to share and download. Can I fill out forms in a PDF file? Yes, most PDF viewers/editors like Adobe Acrobat, Preview (on Mac), or various online tools allow you to fill out forms in PDF files by selecting text fields and entering information. Are there any restrictions when working with PDFs? Some PDFs might have restrictions set by their creator, such as password protection, editing restrictions, or print

restrictions. Breaking these restrictions might require specific software or tools, which may or may not be legal depending on the circumstances and local laws.

Find Introduction To Internal Combustion Engine Richard Stone :

~~study United States 79-620 VPN services case study for creators 79-901 investing examples America 79-1348 crypto investing examples United small business 79-394 content marketing ideas for creators 79-2545 States 79-1091 weight loss tips United States 79-1535 weight loss tools States 79-575 mobile app ideas tools for creators 79-223 mobile app credit score improvement tips for entrepreneurs 79-449 credit score 79-1829 interview tips comparison for creators 79-256 interview tips living tips for startups 79-570 sustainable living tools for startups for small business 79-679 personal finance tools America 79-2949 blueprint USA 79-198 weight loss blueprint United States 79-1340 weight luxury travel comparison USA 79-875 luxury travel comparison United for creators 79-2923 print on demand blueprint for entrepreneurs 79-2626 development roadmap USA 79-2796 chatbot development roadmap United VPN services tips for startups 79-2017 VPN services tools America entrepreneurs 79-1509 fitness routines examples United States 79-955~~

Introduction To Internal Combustion Engine Richard Stone :

[croustillant la lea on de boulangerie pdf uniport edu](#) - Jun 06 2022
web aug 4 2023 [croustillant la lea on de boulangerie 2 7](#) downloaded from uniport edu ng on august 4 2023 by guest conseil sont donns pour chaque recette pratique et pour l efficacit de la ralisation chaque recette est organise en 3 ou 4 tapes maxi 1 prparez les ingradients 2 cuisinez 3 assemblez 4 dressez la recette de [croustillant la leçon de boulangerie hardcover abebooks](#) - May 17 2023
web [croustillant la leçon de boulangerie hardcover bertinet richard 0](#) avg rating 0 ratings by goodreads hardcover isbn 10 2081379309 isbn 13 9782081379305 publisher flammarion 2016 this specific isbn edition is currently not available view all copies of this isbn edition about this edition publisherflammarion publication

croustillant la lea on de boulangerie pdf - Apr 16 2023

web homer lea sep 05 2023 the unlikely story of lea s attempts to train a cadre of soldiers in american chinatowns who would return to their homeland to make it a modern world power pacific historical review as a five feet three inch hunchback who weighed about 100 pounds homer lea 1876 1912 was an unlikely candidate for life on

croustillant la lea on de boulangerie pdf bk swordsswords - Jul 19 2023

web croustillant la lea on de boulangerie 3 3 d adam vieil ours il n apprécie que les visites de robert son cher petit fils étudiant en médecine or cette paisible routine est compromise lorsqu il permet à une école maternelle d occuper sa grange À mesure qu élèves parents et professeurs assiègent son refuge il remet en

croustillant la lea on de boulangerie dotnbm - Aug 20 2023

web 4 croustillant la lea on de boulangerie 2021 08 05 1878 toutefois lorsque sir rogan chantry le beau et arrogant fils du châtelain local accuse la mère d evy d avoir dérobé le notoire diamant noir kimberly evy entreprend de prouver que cette fripouille a tort et que sa mère est innocente

croustillant la lea on de boulangerie pdf uniport edu - Jan 13 2023

web sep 18 2023 croustillant la lea on de boulangerie is available in our digital library an online access to it is set as public so you can download it instantly our books collection hosts in multiple locations allowing you to get the most

croustillant la lea on de boulangerie pdf backoffice ceu social - Mar 03 2022

web croustillant la lea on de boulangerie whispering the secrets of language an mental quest through croustillant la lea on de boulangerie in a digitally driven earth wherever monitors reign supreme and immediate interaction drowns out the subtleties of language the profound strategies and psychological nuances hidden within phrases often get

croustillant la lea on de boulangerie martin dawber book - Mar 15 2023

web croustillant la lea on de boulangerie is available in our book collection an online access to it is set as public so you can get it instantly our digital library hosts in multiple countries allowing you to get the most less latency time to download

ma la hui cui guan hot pot steamboat tripadvisor - Nov 11 2022

web aug 12 2015 ma la hui cui guan hot pot steamboat singapore see 13 unbiased reviews of ma la hui cui guan hot pot steamboat rated 4 of 5 on tripadvisor and ranked 3 809 of 14 202 restaurants in singapore

boulangerie patisserie le croustillant quebec qc facebook - Dec 12 2022

web boulangerie patisserie le croustillant quebec quebec 938 likes 60 talking about this 25 were here

croustillant la lea on de boulangerie pdf - Aug 08 2022

web croustillant la lea on de boulangerie lea s chemistry of cement and concrete jan 27 2022 lea s chemistry of cement and concrete deals with the chemical and physical properties of cements

croustillant la lea on de boulangerie frédérique veysset - Oct 22 2023

web this croustillant la lea on de boulangerie but end up in harmful downloads rather than enjoying a good book with a cup of coffee in the afternoon instead they juggled with some harmful virus inside their laptop

croustillant la lea on de boulangerie pdf pdf red ortax - May 05 2022

web omniprésence du patriotique et du religieux fallacieux ciment d'une société parfois inconsciente de sa dérive le rêve américain n'est plus qu'un rêve auquel plus personne ou presque ne semble croire

croustillant la lea on de boulangerie pdf - Jun 18 2023

web croustillant la lea on de boulangerie sabbatical in france adding a second life mar 02 2020 france the daydream is to live there not as a tourist but as one of its people to immerse yourself in the culture the stories the history to become a local and participate in local life but you hesitate to quit your

croustillant la lea on de boulangerie download only ftp - Jul 07 2022

web feb 13 2023 on line this online statement croustillant la lea on de boulangerie can be one of the options to accompany you considering having new time it will not waste your time believe me the e book will very proclaim you further matter to read just invest tiny period to retrieve this on line notice croustillant la lea on de boulangerie as with

croustillant in english cambridge dictionary - Oct 10 2022

web adjective krustija also croustillante krustija t add to word list qui croustille qui fait du bruit quand on le mange crisp crunchy du pain croustillant bread with a crispy

croustillant la lea on de boulangerie download only - Feb 14 2023

web croustillant la lea on de boulangerie remains historical and literary connected with the palatine counties of lancaster and chester oct 06 2022 an answer to the untruths published and printed in spaine in glorie of their supposed victorie atchieued against our english navie first written and published in spanish by a spanish

croustillant la lea on de boulangerie copy uniport edu - Apr 04 2022

web oct 6 2023 kindly say the croustillant la lea on de boulangerie is universally compatible with any devices to read moniteur officiel du commerce international 1964 entremets jean michel perruchon 2009 01 01 recipes for entremets multi layered mousse cakes small individual cakes and pastries served in glasses text in french and english

croustillant la lea on de boulangerie pdf dotnbm - Sep 21 2023

web convaincre de la prendre au sérieux et pour cause la prochaine victime c'est elle elle l'a vu roman réédité le cri de l'ange harlequin le corps nu d'une jeune fille est retrouvé sur l'autel de la chapelle d'une université du bronx sur son buste est gravé le premier verset du notre père lee campbell un

traduction en anglais exemples français reverso context - Sep 09 2022

web crispy biscuit with a heart of caramelised almonds le gras doit être bien doré et croustillant the fat side should be golden and crispy doux croustillant légèrement piquant sweet crisp slight tang on the finish traductions en contexte de croustillant en français anglais avec reverso context détail croustillant pain croustillant

ccna2skillsbasedassessmentpracticelabconfigs copy baxter - Jul 02 2022

web ccna v3 lab guide routing and switching 200 125 provides the configuration skills necessary to pass the ccna v3 exam the ccna 200 125 candidate must answer technical questions and have the skills required to configure verify and troubleshoot network connectivity there are 44 labs that start from basic

ccna2skillsbasedassessmentpracticelabconfigs pdf - Sep 04 2022

web practice all networking commands related to the exam blueprint moreover the current lab book teaches you how to analyze a problem configure the solution verify and test it

ccna2 skills based assessment practice lab configs 2023 - Apr 30 2022

web will be divided into four major parts evidence informed assessment and practice in child welfare jan 09 2022 this practice oriented text presents evidence based assessment methods and interventions that have been extensively field tested in child welfare settings the contributors offer empirical and field insights comprehensive

ccna2 skills based assessment practice lab configs todd - Jul 14 2023

web ccna2 skills based assessment practice lab configs as one of the most energetic sellers here will definitely be along with the best options to review ccna 200 301 official cert guide volume 2 wendell

ccna2skillsbasedassessmentpracticelabconfigs pdf dev sfcg - Dec 07 2022

web objective of providing assessment review and practice to help ensure you are fully prepared for your certification exam master cisco ccna 200 301 exam topics assess your knowledge with chapter opening quizzes review key concepts with exam preparation tasks practice with

ccna2skillsbasedassessmentpracticelabconfigs pdf - May 12 2023

web hands on preparation for the ccie security lab exam prepare for the ccie security lab exam with comprehensive practice lab scenarios designed to test your readiness to take the actual exam enhance your network security deployment skills by examining the wealth of case studies and lessons in

ccna2 skills based assessment practice lab configs ftp bonide - Jun 01 2022

web content new online practice exercises and more than two hours of video training plus the ccna network simulator lite editions with 34 free network simulator labs available on the companion

ccna2 skills based assessment practice lab configs ftp bonide - Oct 05 2022

web 2 ccna2 skills based assessment practice lab configs 2021 12 03 ccna2 skills based assessment practice lab configs

downloaded from ftp bonide com by guest chris krueger competency based education and training routledge covers topics covered in the icnd1 100 101 icnd2 200 101 and ccna 200 120 exams along with a

ccna2 skills based assessment practice lab configs - Aug 15 2023

web ccna2 skills based assessment practice lab configs free download as open office file odt pdf file pdf text file txt or read online for free

ccna2 skills based assessment practice lab configs 2022 - Apr 11 2023

web 2 ccna2 skills based assessment practice lab configs 2019 08 23 the technologies and concepts introduced you will get ample opportunity for hands on practice in three different types of labs curriculum labs are step by step exercises designed to introduce you to new concepts

ccna2 skills based assessment practice lab configs - Aug 03 2022

web ccna2 skills based assessment practice lab configs this is likewise one of the factors by obtaining the soft documents of this ccna2 skills based assessment practice lab configs by online

top ccna skills for 2020 prepare for ccna certification online - Dec 27 2021

web nov 20 2019 key ccna skills for 2020 and beyond effective february 24 2020 the ccna certification will consist of a single exam that covers each of the following skill clusters in the past each of these skills was the basis of its own ccna certification but as of february 2020 the ccna 200 301 will cover them all in a single exam

ccna2 skills based assessment practice lab configs - Jan 28 2022

web ccna2 skills based assessment practice lab configs answertests com ccna 2 v5 0 3 v6 0 practice final exam answers 2017

ccna 1 itn practice skills assessment packet tracer 2016 ccna3 student skills based assessment valencia college ccna 1 v5 1 v6 0 chapter 6 pt practice skills assessment ccna 1 chapter 6 practice skills

skills based assessment practice lab network 1 scribd - Jun 13 2023

web skills based assessment practice lab network 1 username sanaa aden network 1 step 1 the basics configure the proper hostname on the router as aden configure a description on fastethernet interface network number one

ccna2 skills based assessment practice lab configs pdf - Feb 09 2023

web 2 ccna2 skills based assessment practice lab configs 2022 08 15 tracer activity exercise files v4 1 vlsm subnetting chart structured cabling exploration supplement taking notes a txt file of the chapter objectives a guide to using a networker s journal booklet it career information tips on lifelong learning in

cns skills based exam for ccna 2 cucat - Nov 06 2022

web title cns skills based exam for ccna 2 author neil hines last modified by me created date 6 7 2006 2 57 00 am company n a other titles cns skills based exam for ccna 2

ccna2 skills based assessment practice lab configs - Mar 30 2022

web ccna2 skills based assessment practice lab configs 2022 01 03 kelley clarence cisco networking academy program pearson education network fundamentals 2 ccna2 skills based assessment practice lab configs 2022 01 03 files for these activities are on the accompanying cd rom also available for the network

ccna2skillsbasedassessmentpracticelabconfigs pdf dev sfcg - Jan 08 2023

web lab this extensive set of practice labs that sells for hundreds of dollars elsewhere helps you make sure you are fully prepared for the grueling ccie routing and switching lab exam experience ccna security study guide cisco press cisco ccie routing and switching v5 0 configuration practice labs presents you with three full configuration lab

ccna2 skills based assessment practice lab configs pdf - Mar 10 2023

web 4 ccna2 skills based assessment practice lab configs 2023 07 27 provides the certification needed to grow your it career each practice exam in this book is designed to prepare you to pass the ccna by imparting the skills knowledge and practical coursework needed to master all exam topics this book includes access to six practice tests

ccna2 skills based assessment practice lab configs pdf ftp - Feb 26 2022

web ccna2 skills based assessment practice lab configs downloaded from ftp williamcurley co uk by guest rocco choi social engineering cisco press covers topics covered in the icnd1 100 101 icnd2 200 101 and ccna 200 120 exams along with a summarization of commands keywords command augments and associated

auf doppelter spur by agatha christie overdrive - Dec 28 2022

web mar 14 2018 eigentlich wollte die junge frau nur ihre schreibdienste anbieten doch im haus der blinden findet sie dieses merkwürdige zimmer mit lauter uhren und mittendrin einen toten schreiend läuft sie auf die straße und dem agenten colin lamb in die arme nur gut dass colin bei seinem alten bekannten hercule poirot rat suchen kann

auf doppelter spur christie agatha free download borrow - Sep 05 2023

web auf doppelter spur by christie agatha publication date 1993 publisher bern scherz collection inlibrary printdisabled internetarchivebooks contributor internet archive language german 178 seiten 18 cm u bers von the clocks access restricted item true addeddate 2021 09 13 16 13 13 associated names spitzer gretl christie agatha clocks

agatha christies poirot s12f04 auf doppelter spur deutsch ganze - Aug 24 2022

web jun 22 2021 agatha christies poirot s12f04 auf doppelter spur deutsch ganze folge youtube 0 00 1 29 07 video unavailable this video contains content from itv plc who has blocked it in your

auf doppelter spur ein fall für poirot christie amazon com tr - Mar 31 2023

web auf doppelter spur ein fall für poirot christie agatha amazon com tr Çerez tercihlerinizi seçin alışveriş deneyiminizi geliştirmek hizmetlerimizi sunmak müşterilerin hizmetlerimizi nasıl kullandığını anlayarak iyileştirmeler yapabilmek ve

tanıtımları gösterebilmek için çerezler ve benzeri araçları kullanmaktayız

auf doppelter spur krimi youtube - Apr 19 2022

web sep 27 2018 auf doppelter spur krimi rodger braun 693 subscribers subscribe 27 share save 2 7k views 4 years ago auf doppelter spur krimi hörbuch von agathe

auf doppelter spur mit hercule poirot scherz krimi - Jun 02 2023

web auf doppelter spur mit hercule poirot scherz krimi christie agatha isbn 9783502509271 kostenloser versand für alle bücher mit versand und verkauf duch amazon

auf doppelter spur wikipedia - Oct 06 2023

web auf doppelter spur originaltitel the clocks ist der 54 kriminalroman von agatha christie er erschien zuerst im vereinigten königreich am 7 november 1963 im collins crime club und im folgenden jahr in den usa bei dodd mead and company

Überzahlspiel im 3 gegen 2 dfb deutscher fußball bund e v - Feb 15 2022

web fit durch spielformen viele trainer stehen spätestens in der c jugend vor der herausforderung die spieler in einer saisonvorbereitung auf die bevorstehende spielzeit einzustellen dabei orientieren sie sich häufig an der struktur die sie als aktiver spieler im seniorenbereich kennengerlernt haben und lassen den konditionellen schwerpunkten

auf doppelter spur film wikiwand - Jan 29 2023

web auf doppelter spur ist eine langfolge aus der zwölften staffel der britischen fernsehserie agatha christie s poirot aus dem jahr 2009 von charles palmer es handelt sich um die verfilmung des gleichnamigen romans von agatha christie aus dem jahr 1963 und wurde in london gedreht

auf doppelter spur wikiwand - Feb 27 2023

web auf doppelter spur originaltitel the clocks ist der 54 kriminalroman von agatha christie er erschien zuerst im vereinigten königreich am 7 november 1963 im collins crime club und im folgenden jahr in den usa bei dodd mead and company

agatha christie s poirot auf doppelter spur the clocks crew - Jul 23 2022

web dec 30 2009 auf doppelter spur crew darsteller regie charles palmer mit david suchet hercule poirot

auf doppelter spur von agatha christie ebook thalia - Sep 24 2022

web auf doppelter spur ist vielleicht nicht eines ihrer besten aber hat mich trotzdem gut unterhalten hercule poirot kommt in diesem teil eher als nebendarsteller vor so wirklich in erscheinung tritt er erst bei der auflösung die für meinen

auf doppelter spur zusammenfassung liviato - Jun 21 2022

web auf doppelter spur die englische originalausgabe erschien bereits 1963 unter dem titel the clocks meine deutsche ausgabe ist eine genehmigte lizenzausgabe des weltbild verlag und hat 179 seiten die autorin ist agatha christie

auf doppelter spur hercule poirot band 32 lovelybooks - Nov 26 2022

web rezeption zu auf doppelte spur von agatha christie den roman als poirot roman zu bezeichnen ist etwas hoch gegriffen die figur kommt nur in wenigen kapiteln vor und spielt bei weitem nicht die hauptrolle

doppelspur wikipedia - Mar 19 2022

web der text ist unter der lizenz creative commons namensnennung weitergabe unter gleichen bedingungen verfügbar informationen zu den urhebern und zum lizenzstatus eingebundener mediendateien etwa bilder oder videos können im regelfall durch anklicken dieser abgerufen werden möglicherweise unterliegen die inhalte jeweils

agatha christie auf doppelte spur krimi couch de - Jul 03 2023

web sheila betritt ein menschenleeres haus und dort ein zimmer in dem sie über eine leiche stolpert panisch rennt sie auf die straße und rempelt colin lamb an der dort just im auftrag des britischen geheimdienstes nach kommunistischen agenten fahndet die offenbar in der wilbraham crescent ihr unwesen treiben

[auf doppelte spur ein fall für poirot amazon de](#) - May 01 2023

web auf doppelte spur ein fall für poirot die katze im taubenschlag ein fall für poirot freitag 10 november die vergessliche mörderin ein fall für poirot um unseren preis zu sehen füge diese artikel deinem einkaufswagen hinzu details zum einkaufswagen hinzugefügt alle 3 in den einkaufswagen

agatha christie s poirot s12e01 auf doppelte spur the clocks - May 21 2022

web auf doppelte spur the clocks hercule poirot david sucht mit vice admiral hamling geoffrey palmer l poirot reist nach dover um herauszufinden ob sheila webb für den mord eines mannes verantwortlich ist

auf doppelte spur film wikipedia - Aug 04 2023

web auf doppelte spur ist eine langfolge aus der zwölften staffel der britischen fernsehserie agatha christie s poirot aus dem jahr 2009 von charles palmer es handelt sich um die verfilmung des gleichnamigen romans von agatha christie aus dem jahr 1963 und wurde in london gedreht

agatha christies poirot one programm ard de - Oct 26 2022

web 20 15 uhr agatha christies poirot auf doppelte spur one ausstrahlung auch im englischen originalton sheila webb rennt lieutenant colin race buchstäblich in die arme als er durch eine beschauliche straße in dover spaziert sie hat gerade eine leiche gefunden niemand weiß wer der ermordete ist