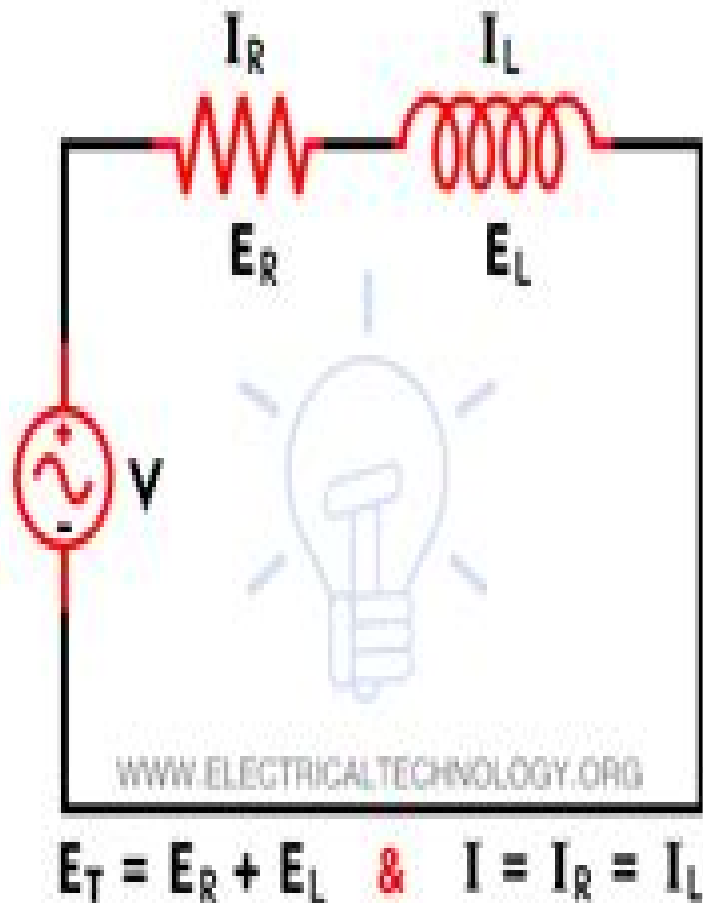
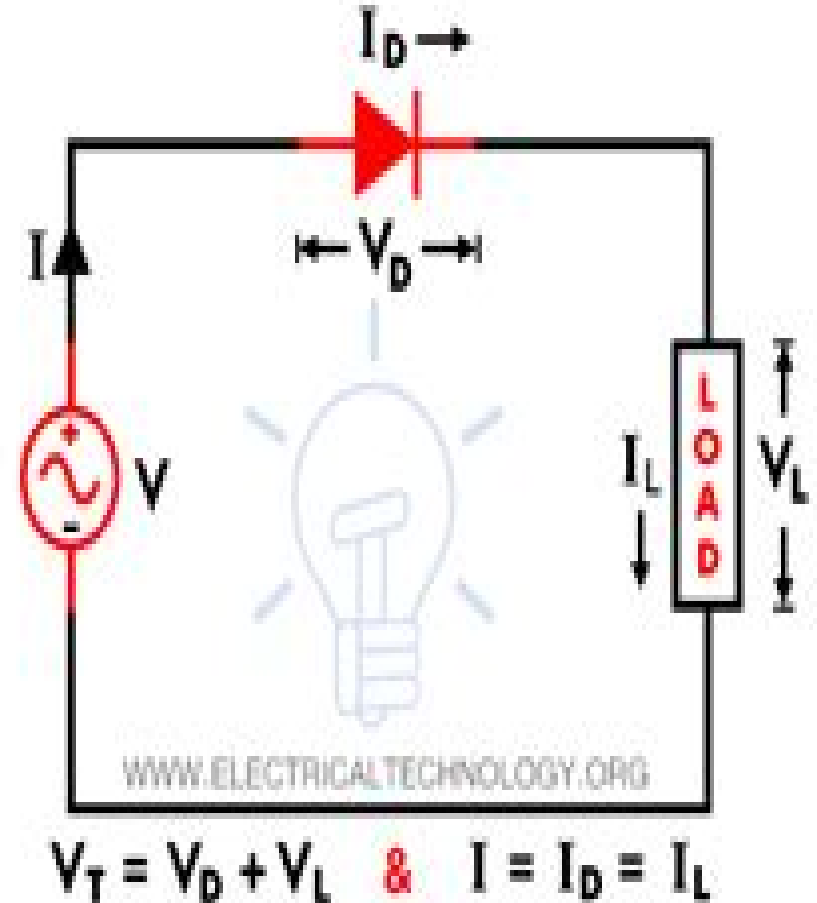


Difference Between Linear and Nonlinear Circuit



Linear Circuit



Nonlinear Circuit

Linear And Nonlinear Circuits

H Kauffman



Linear And Nonlinear Circuits:

Reviewing **Linear And Nonlinear Circuits**: Unlocking the Spellbinding Force of Linguistics

In a fast-paced world fueled by information and interconnectivity, the spellbinding force of linguistics has acquired newfound prominence. Its capacity to evoke emotions, stimulate contemplation, and stimulate metamorphosis is really astonishing. Within the pages of "**Linear And Nonlinear Circuits**," an enthralling opus penned by a highly acclaimed wordsmith, readers set about an immersive expedition to unravel the intricate significance of language and its indelible imprint on our lives. Throughout this assessment, we shall delve into the book's central motifs, appraise its distinctive narrative style, and gauge its overarching influence on the minds of its readers.

https://py.bijouxmedusa.com/public/uploaded-files/Download_PDFS/Sony%20Smart%20Engine%20Vcr%20Manual.pdf

Table of Contents Linear And Nonlinear Circuits

1. Understanding the eBook Linear And Nonlinear Circuits
 - The Rise of Digital Reading Linear And Nonlinear Circuits
 - Advantages of eBooks Over Traditional Books
2. Identifying Linear And Nonlinear Circuits
 - Exploring Different Genres
 - Considering Fiction vs. Non-Fiction
 - Determining Your Reading Goals
3. Choosing the Right eBook Platform
 - Popular eBook Platforms
 - Features to Look for in an Linear And Nonlinear Circuits
 - User-Friendly Interface
4. Exploring eBook Recommendations from Linear And Nonlinear Circuits
 - Personalized Recommendations
 - Linear And Nonlinear Circuits User Reviews and Ratings
 - Linear And Nonlinear Circuits and Bestseller Lists

5. Accessing Linear And Nonlinear Circuits Free and Paid eBooks
 - Linear And Nonlinear Circuits Public Domain eBooks
 - Linear And Nonlinear Circuits eBook Subscription Services
 - Linear And Nonlinear Circuits Budget-Friendly Options
6. Navigating Linear And Nonlinear Circuits eBook Formats
 - ePub, PDF, MOBI, and More
 - Linear And Nonlinear Circuits Compatibility with Devices
 - Linear And Nonlinear Circuits Enhanced eBook Features
7. Enhancing Your Reading Experience
 - Adjustable Fonts and Text Sizes of Linear And Nonlinear Circuits
 - Highlighting and Note-Taking Linear And Nonlinear Circuits
 - Interactive Elements Linear And Nonlinear Circuits
8. Staying Engaged with Linear And Nonlinear Circuits
 - Joining Online Reading Communities
 - Participating in Virtual Book Clubs
 - Following Authors and Publishers Linear And Nonlinear Circuits
9. Balancing eBooks and Physical Books Linear And Nonlinear Circuits
 - Benefits of a Digital Library
 - Creating a Diverse Reading Collection Linear And Nonlinear Circuits
10. Overcoming Reading Challenges
 - Dealing with Digital Eye Strain
 - Minimizing Distractions
 - Managing Screen Time
11. Cultivating a Reading Routine Linear And Nonlinear Circuits
 - Setting Reading Goals Linear And Nonlinear Circuits
 - Carving Out Dedicated Reading Time
12. Sourcing Reliable Information of Linear And Nonlinear Circuits
 - Fact-Checking eBook Content of Linear And Nonlinear Circuits
 - Distinguishing Credible Sources
13. Promoting Lifelong Learning

- Utilizing eBooks for Skill Development
 - Exploring Educational eBooks
14. Embracing eBook Trends
- Integration of Multimedia Elements
 - Interactive and Gamified eBooks

Linear And Nonlinear Circuits Introduction

In the digital age, access to information has become easier than ever before. The ability to download Linear And Nonlinear Circuits has revolutionized the way we consume written content. Whether you are a student looking for course material, an avid reader searching for your next favorite book, or a professional seeking research papers, the option to download Linear And Nonlinear Circuits has opened up a world of possibilities. Downloading Linear And Nonlinear Circuits provides numerous advantages over physical copies of books and documents. Firstly, it is incredibly convenient. Gone are the days of carrying around heavy textbooks or bulky folders filled with papers. With the click of a button, you can gain immediate access to valuable resources on any device. This convenience allows for efficient studying, researching, and reading on the go. Moreover, the cost-effective nature of downloading Linear And Nonlinear Circuits has democratized knowledge. Traditional books and academic journals can be expensive, making it difficult for individuals with limited financial resources to access information. By offering free PDF downloads, publishers and authors are enabling a wider audience to benefit from their work. This inclusivity promotes equal opportunities for learning and personal growth. There are numerous websites and platforms where individuals can download Linear And Nonlinear Circuits. These websites range from academic databases offering research papers and journals to online libraries with an expansive collection of books from various genres. Many authors and publishers also upload their work to specific websites, granting readers access to their content without any charge. These platforms not only provide access to existing literature but also serve as an excellent platform for undiscovered authors to share their work with the world. However, it is essential to be cautious while downloading Linear And Nonlinear Circuits. Some websites may offer pirated or illegally obtained copies of copyrighted material. Engaging in such activities not only violates copyright laws but also undermines the efforts of authors, publishers, and researchers. To ensure ethical downloading, it is advisable to utilize reputable websites that prioritize the legal distribution of content. When downloading Linear And Nonlinear Circuits, users should also consider the potential security risks associated with online platforms. Malicious actors may exploit vulnerabilities in unprotected websites to distribute malware or steal personal information. To protect themselves, individuals should ensure their devices have reliable antivirus software installed and validate the legitimacy of the websites they are downloading from. In conclusion, the ability to download Linear And

Nonlinear Circuits has transformed the way we access information. With the convenience, cost-effectiveness, and accessibility it offers, free PDF downloads have become a popular choice for students, researchers, and book lovers worldwide. However, it is crucial to engage in ethical downloading practices and prioritize personal security when utilizing online platforms. By doing so, individuals can make the most of the vast array of free PDF resources available and embark on a journey of continuous learning and intellectual growth.

FAQs About Linear And Nonlinear Circuits Books

1. Where can I buy Linear And Nonlinear Circuits books? Bookstores: Physical bookstores like Barnes & Noble, Waterstones, and independent local stores. Online Retailers: Amazon, Book Depository, and various online bookstores offer a wide range of books in physical and digital formats.
2. What are the different book formats available? Hardcover: Sturdy and durable, usually more expensive. Paperback: Cheaper, lighter, and more portable than hardcovers. E-books: Digital books available for e-readers like Kindle or software like Apple Books, Kindle, and Google Play Books.
3. How do I choose a Linear And Nonlinear Circuits book to read? Genres: Consider the genre you enjoy (fiction, non-fiction, mystery, sci-fi, etc.). Recommendations: Ask friends, join book clubs, or explore online reviews and recommendations. Author: If you like a particular author, you might enjoy more of their work.
4. How do I take care of Linear And Nonlinear Circuits books? Storage: Keep them away from direct sunlight and in a dry environment. Handling: Avoid folding pages, use bookmarks, and handle them with clean hands. Cleaning: Gently dust the covers and pages occasionally.
5. Can I borrow books without buying them? Public Libraries: Local libraries offer a wide range of books for borrowing. Book Swaps: Community book exchanges or online platforms where people exchange books.
6. How can I track my reading progress or manage my book collection? Book Tracking Apps: Goodreads, LibraryThing, and Book Catalogue are popular apps for tracking your reading progress and managing book collections. Spreadsheets: You can create your own spreadsheet to track books read, ratings, and other details.
7. What are Linear And Nonlinear Circuits audiobooks, and where can I find them? Audiobooks: Audio recordings of books, perfect for listening while commuting or multitasking. Platforms: Audible, LibriVox, and Google Play Books offer a wide selection of audiobooks.
8. How do I support authors or the book industry? Buy Books: Purchase books from authors or independent bookstores.

Reviews: Leave reviews on platforms like Goodreads or Amazon. Promotion: Share your favorite books on social media or recommend them to friends.

9. Are there book clubs or reading communities I can join? Local Clubs: Check for local book clubs in libraries or community centers. Online Communities: Platforms like Goodreads have virtual book clubs and discussion groups.
10. Can I read Linear And Nonlinear Circuits books for free? Public Domain Books: Many classic books are available for free as they're in the public domain. Free E-books: Some websites offer free e-books legally, like Project Gutenberg or Open Library.

Find Linear And Nonlinear Circuits :

sony smart engine vcr manual

[small scale poultry production in the tropics](#)

[solution manual software engineering by rajib mall](#)

solving problems with design thinking ten stories of what works columbia business school publishing by liedtka jeanne 2013 hardcover

solutions intermediate progress test unit 2 answer

spreadsheet modeling decision analysis solutions manual

sleep number 7000 manual

soalan kbat sains upsr

[soal unbk dan usbn 2017 2018](#)

solution for miessler tarr inorganic

skellig comprehension questions and answers

skill are you ready 21 convert units of measure

solution project management 5th edition solutions

[sociology schaefer 13th edition pdf](#)

sinhalawalforum sinhala wal katha wal chitra katha

Linear And Nonlinear Circuits :

the ending of the hobbit an unexpected journey explained - Feb 26 2022

web nov 8 2022 the only real story progression in the hobbit an unexpected journey is regarding bilbo s motivation for

joining the quest the movie seems to rely on us having seen the lord of the rings

the hobbit film series wikipedia - Feb 09 2023

web box office 2 938 billion the hobbit is a series of three epic high fantasy adventure films directed by peter jackson the films are subtitled an unexpected journey 2012 the desolation of smaug 2013 and the battle of the five armies 2014 5

the hobbit an unexpected journey wikipedia - Aug 15 2023

web the hobbit an unexpected journey is a 2012 epic high fantasy adventure film directed by peter jackson from a screenplay by fran walsh philippa boyens jackson and guillermo del toro based on the 1937 novel the hobbit by j r r tolkien

the hobbit an unexpected journey 2012 imdb - Jul 14 2023

web dec 14 2012 the hobbit an unexpected journey directed by peter jackson with ian mckellen martin freeman richard armitage ken stott a reluctant hobbit bilbo baggins sets out to the lonely mountain with a spirited group of dwarves to reclaim their mountain home and the gold within it from the dragon smaug

the hobbit an unexpected journey prime video - May 12 2023

web hobbit bilbo baggins joins 13 dwarves on a quest to reclaim the lost kingdom of erebor imdb 7 8 2 h 44 min 2012 pg 13 drama fantasy ambitious exciting

the hobbit an unexpected journey youtube - Jul 02 2022

web the hobbit an unexpected journey buy or rent pg 13 youtube movies tv 174m subscribers subscribe 3 1k share academy award winning filmmaker peter jackson returns to middle earth with the

the hobbit an unexpected journey the one wiki to rule - Aug 03 2022

web the hobbit an unexpected journey is the first film of the hobbit film trilogy lasting 3 hours and 2 minutes it was directed by peter jackson who previously had directed the lord of the rings film trilogy it was a major box office success grossing over

the hobbit an unexpected journey announcement trailer hd - Sep 04 2022

web dec 23 2011 the hobbit an unexpected journey action adventure 2012 2 hr 49 min english audio and 11 more pg 13 7 6m views

the hobbit an unexpected journey amazon com tr - Mar 30 2022

web the hobbit an unexpected journey is the first in peter jackson s highly anticipated trilogy adapting the enduringly popular masterpiece the hobbit by j r r tolkien the adventure follows the journey of title character bilbo baggins who is swept into an epic quest to reclaim the lost dwarf kingdom of erebor from the fearsome dragon smaug

the hobbit an unexpected journey 2012 imdb - Nov 06 2022

web the hobbit an unexpected journey 2012 full cast crew imdb synopsis

the hobbit an unexpected journey 2012 - Jun 01 2022

web dec 14 2012 bilbo baggins a hobbit enjoying his quiet life is swept into an epic quest by gandalf the grey and thirteen dwarves who seek to reclaim their mountain home from smaug the dragon

[the hobbit an unexpected journey 2012 imdb](#) - Dec 27 2021

web the hobbit an unexpected journey 2012 232 of 747 martin freeman in the hobbit an unexpected journey 2012 people martin freeman

[the hobbit an unexpected journey hulu](#) - Apr 30 2022

web starring ian mckellen martin freeman richard armitage director peter jackson pg 13 fantasy action adventure movie 2012 hd stream thousands of shows and movies with plans starting at 7 99 month start your free trial new subscribers only cancel anytime additional terms apply disney bundle trio basic

[the hobbit an unexpected journey official trailer 2 hd](#) - Jan 08 2023

web dec 14 2012 here alone with gollum on the shores of an underground lake the unassuming bilbo baggins not only discovers depths of ingenuity and courage that surprise even him he also gains possession of

watch the hobbit an unexpected journey netflix - Jun 13 2023

web the hobbit an unexpected journey 2012 maturity rating 16 action unavailable on an ad supported plan due to licensing restrictions in this prequel to the lord of the rings trilogy bilbo baggins joins a hardy group of dwarves on a

[the hobbit an unexpected journey rotten tomatoes](#) - Apr 11 2023

web the hobbit an unexpected journey pg 13 2012 fantasy adventure 2h 49m 64 tomatometer 306 reviews 83 audience score 250 000 ratings what to know critics consensus peter jackson s return to

[the hobbit an unexpected journey box office mojo](#) - Jan 28 2022

web the hobbit an unexpected journey 2012 a reluctant hobbit bilbo baggins sets out to the lonely mountain with a spirited group of dwarves to reclaim their mountain home and the gold within it

[the hobbit trailer 2012 movie official hd youtube](#) - Dec 07 2022

web jan 30 2012 the hobbit an unexpected journey trailer 2012 official movie trailer in hd starring ian mckellen martin freeman cate blanchett bilbo baggins a hobb

[hobbit beklenmedik yolculuk the hobbit an unexpected journey](#) - Mar 10 2023

web dec 14 2012 Özet tolkien in yüzüklerin efendisi üçlemesinin öncül kitabı olarak da görülen hobbit ten üçlemenin yönetmeni peter jackson tarafından sinemaya uyarlanan üç filmlik hobbit macerasının ilk bölümü olan hobbit beklenmedik yolculuk the hobbit an unexpected journey ile bu sefer bilbo baggins in gençliğine gidiyoruz

[watch the hobbit an unexpected journey prime video](#) - Oct 05 2022

web pg 13 drama action ambitious exciting this video is currently unavailable to watch in your location bundle and save save

with with the hobbit movie collection on prime video shop now details other titles in this franchise the lord of the rings the fellowship of the ring the lord of the rings the fellowship of the ring rent or buy

carving classic female faces in wood a how to reference for carvers - Jan 08 2023

web in carving classic female faces in wood noted sculptor ian norbury gives woodcarvers a thorough how to guide to bringing out the beauty of a female face from a block of wood using hundreds of photographs and drawings the author provides in depth instruction on carving two different adult faces one european and one afro caribbean and one

carving classic female faces in wood a how to reference for carvers - Nov 06 2022

web carving classic female faces in wood a how to reference for carvers and sculptors by ian norbury 2009 amazon com tr kitap

carving classic female faces in wood goodreads - Apr 11 2023

web may 1 2004 carving classic female faces in wood a how to reference for carvers and sculptors by ian norbury 4 38 rating details 8 ratings 1 review from renowned woodcarver and instructor ian norbury this handy reference covers the basics of bandsaw woodcarving and demonstrates how to accurately portray the female face in wood

carving classic female faces ebook ian norbury - Feb 09 2023

web learn to sculpt the female face in wood from renowned woodcarver and instructor ian norbury the author not only teaches the fundamentals of woodcarving but also demonstrates how to accurately and realistically portray the female face clear step by step photographs with instructional captions guide you through an enti

carving classic female faces in wood amazon ca - Jul 02 2022

web carving classic female faces in wood a how to reference for carvers and sculptors 9780854421008 books amazon ca *carving classic female faces in wood abebooks* - May 12 2023

web in carving classic female faces in wood noted sculptor ian norbury gives woodcarvers a thorough how to guide to bringing out the beauty of a female face from a block of wood using hundreds of photographs and drawings the author provides in depth instruction on carving two different adult faces one european and one afro caribbean and one

carving classic female faces in wood keith randich - Jan 28 2022

web merely said the carving classic female faces in wood is universally compatible with any devices to read carving the little guys keith randich 2013 05 01 carving the little guys is a must have beginner s guide that presents an accessible introduction to the art of

carving classic female faces in wood fox chapel publishing - Mar 30 2022

web renowned woodcarver and instructor ian norbury not only teaches the fundamentals of woodcarving but also demonstrates how to accurately and realistically portray the aspects of the female face in wood clear step by step

photographs complete with instructional captions will guide you through an entire carving project

guide to wood carving faces part 1 youtube - Feb 26 2022

web jun 24 2014 guide to wood carving faces part 1 sharonmyart 43k subscribers 1m views 9 years ago easy step by step

guide to wood carving the perfect face follow along at home and create this guide

carving the female face how to carve pretty faces in wood - Dec 27 2021

web apr 1 2001 from the back cover carving the delicate features of a woman's face provides a unique challenge for woodcarvers here in a newly revised version of his original book author and artist wally lueth shares tips and techniques for carving pretty faces

carving classic female faces in wood a how to reference for carvers - Jun 01 2022

web one step by step project guides carvers through the details of female face woodcarving including outlining the project modelling the figure in clay and carving polishing and mounting the final piece a comprehensive reference section with full colour photographs of women's faces provides anatomical explanations and working drawings to

carving classic female faces in wood a how to reference for carvers - Mar 10 2023

web carving classic female faces in wood a how to reference for carvers and sculptors ian norbury amazon.com tr kitap *carving classic female faces in wood a how to reference for carvers* - Apr 30 2022

web buy carving classic female faces in wood a how to reference for carvers and sculptors by ian norbury online at alibris we have new and used copies available in 2 editions starting at 3 10 shop now

carving classic female faces in wood a how to reference for carvers - Jul 14 2023

web jan 1 2004 noted sculptor ian norbury gives woodcarvers a thorough how to guide to bringing out the beauty of a female face from a block of wood using hundreds of photographs and drawings the author provides in depth instruction on carving two different adult faces one european and one afro caribbean and one child's face

[carving classic female faces in wood a how to reference for carvers](#) - Dec 07 2022

web may 1 2004 amazon.co.jp carving classic female faces in wood a how to reference for carvers and sculptors norbury ian foreign language books

carving classic female faces in wood a how to reference for carvers - Aug 15 2023

web may 1 2004 in carving classic female faces in wood noted sculptor ian norbury gives woodcarvers a thorough how to guide to bringing out the beauty of a female face from a block of wood using hundreds of photographs and drawings the author provides in depth instruction on carving two different adult faces one european and one afro

carving classic female faces in wood a how to referenc - Oct 05 2022

web nov 2 2004 noted sculptor ian norbury gives woodcarvers a thorough how to guide to bringing out the beauty of a

female face from a block of wood 64 pages paperback first published november 2 2004

[how to carve faces in wood with pictures wikipedi](#) - Aug 03 2022

web sep 15 2021 raw wood needs to be stripped and smoothed out before it can be carved then cut away the excess wood with a variety of common wood carving tools including chisels v tools and knives once you have the face s basic shape add details like hair strands and wrinkles to give your face additional detail and depth

carving classic female faces in wood a how to reference for carvers - Jun 13 2023

web buy carving classic female faces in wood a how to reference for carvers and sculptors by ian norbury isbn 9780854421008 from amazon s book store everyday low prices and free delivery on eligible orders

carving classic female faces in wood open library - Sep 04 2022

web nov 2 2004 carving classic female faces in wood a how to reference for carvers and sculptors may 28 2004 fox chapel publishing paperback in english

doodle artist guinea pigs a colouring book for gr 2023 - Aug 03 2022

web doodle artist guinea pigs a colouring book for gr choosing a hamster gerbil guinea pig rabbit ferret mouse or rat nov 19 2020 discusses the selection housing diet handling grooming and health of a new hamster gerbil guinea pig rabbit ferret mouse or rat provided by publisher gordon s guide to

[guinea pigs coloring page free printable coloring pages](#) - Jan 28 2022

web jun 13 2015 click the guinea pigs coloring pages to view printable version or color it online compatible with ipad and android tablets you might also be interested in coloring pages from guinea pig category this coloring page was posted on saturday june 13 2015 08 37 by painter

doodle artist guinea pigs a colouring book for grown ups - Sep 04 2022

web doodle artist guinea pigs a colouring book for grown ups rand annette amazon com au books

doodle artist guinea pigs a colouring book for grown ups - Dec 07 2022

web a colouring book designed for lovers of guinea pigs this book contains twenty original images of guinea pigs in various styles and differing levels of intricacy with two copies of each image to make forty pages to colour the images are printed on a single side of the paper to help prevent bleed through

doodle artist guinea pigs a colouring book for grown ups by - May 12 2023

web sep 30 2016 a colouring book designed for lovers of guinea pigs this book contains twenty original images of guinea pigs in various styles and

doodle artist guinea pigs a colouring book for grown ups - Apr 11 2023

web doodle artist guinea pigs a colouring book for grown ups rand annette 9781539162339 books amazon ca

doodle artist guinea pigs a colouring book for grown ups - Nov 06 2022

web doodleartist co uk

doodle artist guinea pigs by rand annette abebooks - Feb 09 2023

web doodle artist guinea pigs a colouring book for grown ups by rand annette and a great selection of related books art and collectibles available now at abebooks com

amazon com customer reviews doodle artist guinea pigs a colouring - Mar 10 2023

web find helpful customer reviews and review ratings for doodle artist guinea pigs a colouring book for grown ups at amazon com read honest and unbiased product reviews from our users

doodle artist guinea pigs a colouring book for grown ups - Jul 14 2023

web buy doodle artist guinea pigs a colouring book for grown ups by rand annette isbn 9781539162339 from amazon s book store everyday low prices and free delivery on eligible orders doodle artist guinea pigs a colouring book for grown ups amazon co uk rand annette 9781539162339 books

drawing with our guinea pigs doodle date youtube - Apr 30 2022

web meet our lovable guinea companions brindle and bumble art materials used in this video posca pens kuretake pens col erase pencils pentel ink brush knea

doodle artist guinea pigs a colouring book for grown ups - Aug 15 2023

web sep 30 2016 4 7 170 ratings see all formats and editions a colouring book designed for lovers of guinea pigs this book contains twenty original images of guinea pigs in various styles and differing levels of intricacy with two copies

doodle artist guinea pigs a colouring book for gr pdf pdf - Jun 01 2022

web doodle artist guinea pigs a colouring book for gr pdf pages 2 21 doodle artist guinea pigs a colouring book for gr pdf upload mia f paterson 2 21 downloaded from snapshot segmetrics io on august 31 2023 by mia f paterson longer and dive into this world of magic and creativity with the enchanting guinea pigs grab your colors and join the

doodle artist guinea pigs a colouring book for gr pdf free - Mar 30 2022

web introduction doodle artist guinea pigs a colouring book for gr pdf free olga da polga michael bond 2016 07 07 from the very beginning there was not the slightest doubt that olga da polga was the sort of guinea pig who would go places

doodle artist guinea pigs a colouring book for grown ups - Jan 08 2023

web buy doodle artist guinea pigs a colouring book for grown ups by annette rand online at alibris we have new and used copies available in 1 editions starting at 4 82 shop now

doodle artist guinea pigs a colouring book for grown ups by - Jun 13 2023

web buy doodle artist guinea pigs a colouring book for grown ups by rand annette online on amazon ae at best prices fast and

free shipping free returns cash on delivery available on eligible purchase

doodle artist guinea pigs a colouring book for grown ups ebay - Jul 02 2022

web find many great new used options and get the best deals for doodle artist guinea pigs a colouring book for grown ups at the best online prices at ebay free delivery for many products doodle artist guinea pigs a colouring book for grown ups 9781539162339 ebay

doodle artist guinea pigs a colouring book for grown ups by - Oct 05 2022

web doodle artist guinea pigs a colouring book for grown ups by annette rand 2016 09 30 annette rand on amazon com au free shipping on eligible orders doodle artist guinea pigs a colouring book for grown ups by annette rand 2016 09 30

doodle dog - Feb 26 2022

web please be patient with replies i am online maybe once a week otherwise unplugged and working hard kindly kellie email kellie doodledogpaintings com

9781539162339 *doodle artist guinea pigs a colouring book* - Dec 27 2021

web doodle artist guinea pigs a colouring book for grown ups by rand annette and a great selection of related books art and collectibles available now at abebooks com