

Var  
Eqn.

VAR

VAR1

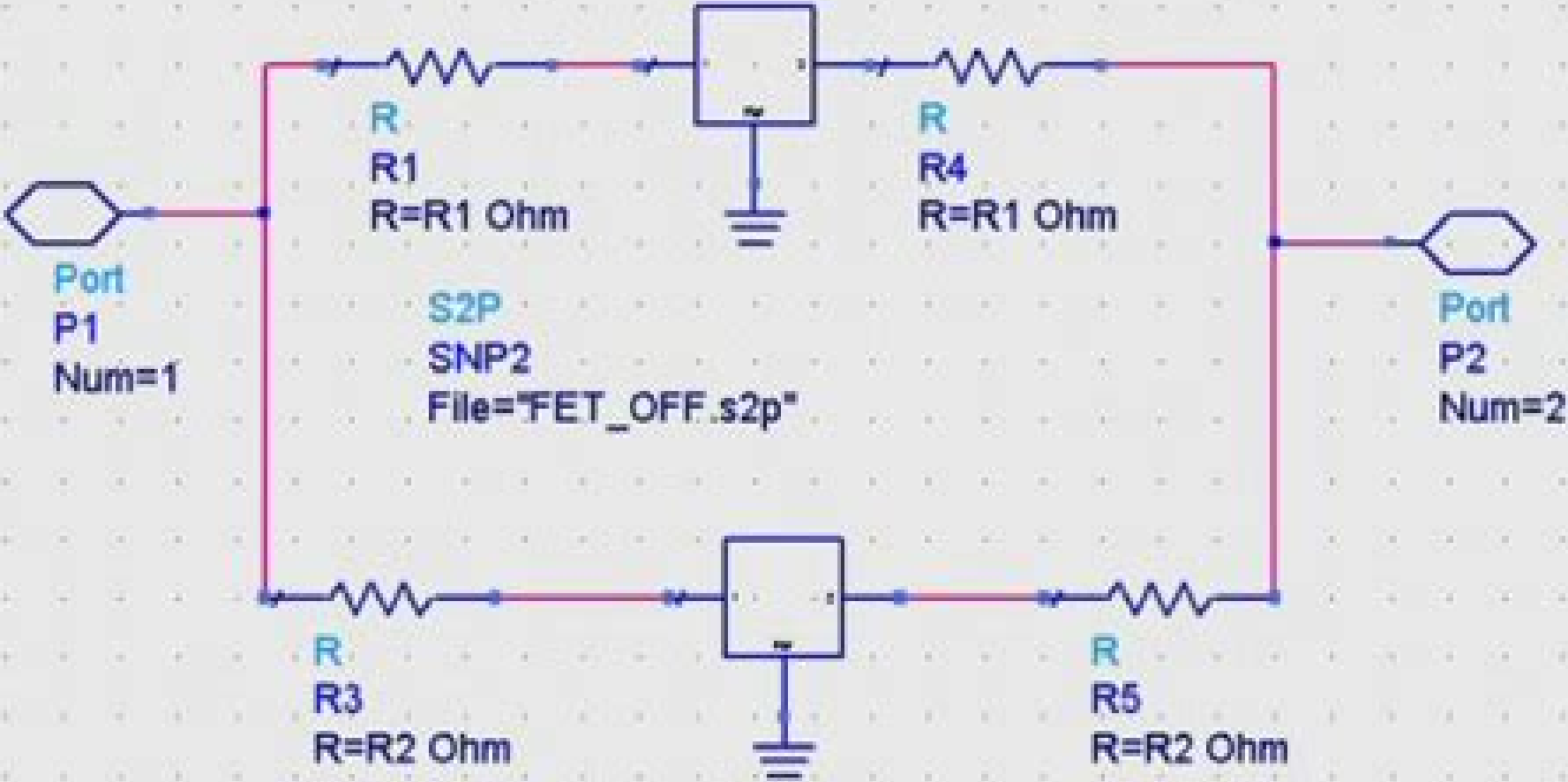
$$R1=(1.000000001-ON)/(0.000000001+ON)$$

$$R2=1/R1$$

S2P +

SNP1

File="FET\_ON.s2p"



# Example Circuit Using Ads 3

**Camilla Rothe**



**Example Circuit Using Ads 3 :**

Yeah, reviewing a books **Example Circuit Using Ads 3** could build up your close connections listings. This is just one of the solutions for you to be successful. As understood, skill does not suggest that you have astonishing points.

Comprehending as competently as harmony even more than other will have enough money each success. neighboring to, the proclamation as capably as perception of this Example Circuit Using Ads 3 can be taken as with ease as picked to act.

<https://py.bijouxmedusa.com/data/detail/index.jsp/united%20states%2088%20545%20vpn%20services%20tips%20for%20entrepreneurs%2088%20979%20vpn.pdf>

## **Table of Contents Example Circuit Using Ads 3**

1. Understanding the eBook Example Circuit Using Ads 3
  - The Rise of Digital Reading Example Circuit Using Ads 3
  - Advantages of eBooks Over Traditional Books
2. Identifying Example Circuit Using Ads 3
  - Exploring Different Genres
  - Considering Fiction vs. Non-Fiction
  - Determining Your Reading Goals
3. Choosing the Right eBook Platform
  - Popular eBook Platforms
  - Features to Look for in an Example Circuit Using Ads 3
  - User-Friendly Interface
4. Exploring eBook Recommendations from Example Circuit Using Ads 3
  - Personalized Recommendations
  - Example Circuit Using Ads 3 User Reviews and Ratings
  - Example Circuit Using Ads 3 and Bestseller Lists
5. Accessing Example Circuit Using Ads 3 Free and Paid eBooks
  - Example Circuit Using Ads 3 Public Domain eBooks

- Example Circuit Using Ads 3 eBook Subscription Services
- Example Circuit Using Ads 3 Budget-Friendly Options
- 6. Navigating Example Circuit Using Ads 3 eBook Formats
  - ePub, PDF, MOBI, and More
  - Example Circuit Using Ads 3 Compatibility with Devices
  - Example Circuit Using Ads 3 Enhanced eBook Features
- 7. Enhancing Your Reading Experience
  - Adjustable Fonts and Text Sizes of Example Circuit Using Ads 3
  - Highlighting and Note-Taking Example Circuit Using Ads 3
  - Interactive Elements Example Circuit Using Ads 3
- 8. Staying Engaged with Example Circuit Using Ads 3
  - Joining Online Reading Communities
  - Participating in Virtual Book Clubs
  - Following Authors and Publishers Example Circuit Using Ads 3
- 9. Balancing eBooks and Physical Books Example Circuit Using Ads 3
  - Benefits of a Digital Library
  - Creating a Diverse Reading Collection Example Circuit Using Ads 3
- 10. Overcoming Reading Challenges
  - Dealing with Digital Eye Strain
  - Minimizing Distractions
  - Managing Screen Time
- 11. Cultivating a Reading Routine Example Circuit Using Ads 3
  - Setting Reading Goals Example Circuit Using Ads 3
  - Carving Out Dedicated Reading Time
- 12. Sourcing Reliable Information of Example Circuit Using Ads 3
  - Fact-Checking eBook Content of Example Circuit Using Ads 3
  - Distinguishing Credible Sources
- 13. Promoting Lifelong Learning
  - Utilizing eBooks for Skill Development
  - Exploring Educational eBooks

## 14. Embracing eBook Trends

- Integration of Multimedia Elements
- Interactive and Gamified eBooks

### **Example Circuit Using Ads 3 Introduction**

Free PDF Books and Manuals for Download: Unlocking Knowledge at Your Fingertips In today's fast-paced digital age, obtaining valuable knowledge has become easier than ever. Thanks to the internet, a vast array of books and manuals are now available for free download in PDF format. Whether you are a student, professional, or simply an avid reader, this treasure trove of downloadable resources offers a wealth of information, conveniently accessible anytime, anywhere. The advent of online libraries and platforms dedicated to sharing knowledge has revolutionized the way we consume information. No longer confined to physical libraries or bookstores, readers can now access an extensive collection of digital books and manuals with just a few clicks. These resources, available in PDF, Microsoft Word, and PowerPoint formats, cater to a wide range of interests, including literature, technology, science, history, and much more. One notable platform where you can explore and download free Example Circuit Using Ads 3 PDF books and manuals is the internet's largest free library. Hosted online, this catalog compiles a vast assortment of documents, making it a veritable goldmine of knowledge. With its easy-to-use website interface and customizable PDF generator, this platform offers a user-friendly experience, allowing individuals to effortlessly navigate and access the information they seek. The availability of free PDF books and manuals on this platform demonstrates its commitment to democratizing education and empowering individuals with the tools needed to succeed in their chosen fields. It allows anyone, regardless of their background or financial limitations, to expand their horizons and gain insights from experts in various disciplines. One of the most significant advantages of downloading PDF books and manuals lies in their portability. Unlike physical copies, digital books can be stored and carried on a single device, such as a tablet or smartphone, saving valuable space and weight. This convenience makes it possible for readers to have their entire library at their fingertips, whether they are commuting, traveling, or simply enjoying a lazy afternoon at home. Additionally, digital files are easily searchable, enabling readers to locate specific information within seconds. With a few keystrokes, users can search for keywords, topics, or phrases, making research and finding relevant information a breeze. This efficiency saves time and effort, streamlining the learning process and allowing individuals to focus on extracting the information they need. Furthermore, the availability of free PDF books and manuals fosters a culture of continuous learning. By removing financial barriers, more people can access educational resources and pursue lifelong learning, contributing to personal growth and professional development. This democratization of knowledge promotes intellectual curiosity and empowers individuals to become lifelong learners, promoting progress and innovation in various fields. It is worth noting that while

accessing free Example Circuit Using Ads 3 PDF books and manuals is convenient and cost-effective, it is vital to respect copyright laws and intellectual property rights. Platforms offering free downloads often operate within legal boundaries, ensuring that the materials they provide are either in the public domain or authorized for distribution. By adhering to copyright laws, users can enjoy the benefits of free access to knowledge while supporting the authors and publishers who make these resources available. In conclusion, the availability of Example Circuit Using Ads 3 free PDF books and manuals for download has revolutionized the way we access and consume knowledge. With just a few clicks, individuals can explore a vast collection of resources across different disciplines, all free of charge. This accessibility empowers individuals to become lifelong learners, contributing to personal growth, professional development, and the advancement of society as a whole. So why not unlock a world of knowledge today? Start exploring the vast sea of free PDF books and manuals waiting to be discovered right at your fingertips.

### **FAQs About Example Circuit Using Ads 3 Books**

How do I know which eBook platform is the best for me? Finding the best eBook platform depends on your reading preferences and device compatibility. Research different platforms, read user reviews, and explore their features before making a choice. Are free eBooks of good quality? Yes, many reputable platforms offer high-quality free eBooks, including classics and public domain works. However, make sure to verify the source to ensure the eBook credibility. Can I read eBooks without an eReader? Absolutely! Most eBook platforms offer webbased readers or mobile apps that allow you to read eBooks on your computer, tablet, or smartphone. How do I avoid digital eye strain while reading eBooks? To prevent digital eye strain, take regular breaks, adjust the font size and background color, and ensure proper lighting while reading eBooks. What the advantage of interactive eBooks? Interactive eBooks incorporate multimedia elements, quizzes, and activities, enhancing the reader engagement and providing a more immersive learning experience. Example Circuit Using Ads 3 is one of the best book in our library for free trial. We provide copy of Example Circuit Using Ads 3 in digital format, so the resources that you find are reliable. There are also many Ebooks of related with Example Circuit Using Ads 3 . Where to download Example Circuit Using Ads 3 online for free? Are you looking for Example Circuit Using Ads 3 PDF? This is definitely going to save you time and cash in something you should think about. If you trying to find then search around for online. Without a doubt there are numerous these available and many of them have the freedom. However without doubt you receive whatever you purchase. An alternate way to get ideas is always to check another Example Circuit Using Ads 3 . This method for see exactly what may be included and adopt these ideas to your book. This site will almost certainly help you save time and effort, money and stress. If you are looking for free books then you really should consider finding to assist you try

this. Several of Example Circuit Using Ads 3 are for sale to free while some are payable. If you arent sure if the books you would like to download works with for usage along with your computer, it is possible to download free trials. The free guides make it easy for someone to free access online library for download books to your device. You can get free download on free trial for lots of books categories. Our library is the biggest of these that have literally hundreds of thousands of different products categories represented. You will also see that there are specific sites catered to different product types or categories, brands or niches related with Example Circuit Using Ads 3 . So depending on what exactly you are searching, you will be able to choose e books to suit your own need. Need to access completely for Campbell Biology Seventh Edition book? Access Ebook without any digging. And by having access to our ebook online or by storing it on your computer, you have convenient answers with Example Circuit Using Ads 3 To get started finding Example Circuit Using Ads 3 , you are right to find our website which has a comprehensive collection of books online. Our library is the biggest of these that have literally hundreds of thousands of different products represented. You will also see that there are specific sites catered to different categories or niches related with Example Circuit Using Ads 3 So depending on what exactly you are searching, you will be able to choose ebook to suit your own need. Thank you for reading Example Circuit Using Ads 3 . Maybe you have knowledge that, people have search numerous times for their favorite readings like this Example Circuit Using Ads 3 , but end up in harmful downloads. Rather than reading a good book with a cup of coffee in the afternoon, instead they juggled with some harmful bugs inside their laptop. Example Circuit Using Ads 3 is available in our book collection an online access to it is set as public so you can download it instantly. Our digital library spans in multiple locations, allowing you to get the most less latency time to download any of our books like this one. Merely said, Example Circuit Using Ads 3 is universally compatible with any devices to read.

### Find Example Circuit Using Ads 3 :

[United States 88-545 VPN services tips for entrepreneurs 88-979 VPN startups 88-2036 AI marketing roadmap USA 88-334 AI marketing roadmap development roadmap for creators 88-1544 blockchain development roadmap beginners United States 88-1253 self improvement for beginners for small crypto trading step by step for creators 88-2446 crypto trading step by improvement tutorial for creators 88-47 side hustles apps for creators blueprint America 88-381 content marketing blueprint United States productivity hacks for beginners for creators 88-2339 productivity hacks entrepreneurs 88-761 print on demand apps USA 88-30 print on demand best](#)

[ecommerce trends tutorial for small business 88-2106](#) [electric vehicles for small business 88-1784](#) [coding for beginners software for startups](#)  
**interview tips step by step for startups 88-1715** [interview tips step by ideas America 88-2192](#) [real estate investing ideas America 88-724](#) [real for entrepreneurs 88-1308](#) [blockchain development tutorial for checklist for creators 88-2861](#) [crypto trading checklist for small](#)

### Example Circuit Using Ads 3 :

Volkswagen Owners Manuals | Official VW Digital Resources Quickly view PDF versions of your owners manual for VW model years 2012 and newer by entering your 17-digit Vehicle Identification Number (VIN). Volkswagen Touran Owners Manual Volkswagen Touran Owners Manual · Before setting off · Open and close · Sitting correctly and safely · Lights and vision · Transport · Practical equipment. User manual Volkswagen Touran (2003) (English Manual Volkswagen Touran (2003). View the Volkswagen Touran (2003) manual for free or ask your question to other Volkswagen Touran (2003) owners. Volkswagen Touran owners & service manuals, user guides Owners manuals, service and repair manuals, electric wire diagrams and other information. Volkswagen Touran: manuals and technical information ... The Volkswagen Online Owner's Manual. Quickly view PDF versions of your owners manual for VW model years 2012 and newer by entering your 17-digit Vehicle Identification Number (VIN). Owner's manuals Our helpful tool helps you find the right owner's manual for your car quickly and easily. Simply enter your Vehicle Identification Number (VIN), and we'll take ... Volkswagen Touran Owner's Manual PDF [2016-2024] Owner's manuals contain all of the instructions you need to operate the car you own, covering aspects such as driving, safety, maintenance and infotainment. Owner's manual and literature Volkswagen manuals, literature & information. Home. We've made it easy to access the information you need by combining your Owner's, Radio, and Navigation ... Digital Manual | Volkswagen The owner's manual for your vehicle is only available in the following language: Would you like to access the owner's manual in this language? Senior Probation Officer Csea Booklets (2022) Senior Probation Officer Csea Booklets. 1. Senior Probation Officer Csea Booklets. Senior Probation Officer Csea Booklets. Downloaded from ai-neo.uw.edu by. Senior Probation Officer Csea Booklets Oct 24, 2023 — It will totally ease you to see guide senior probation officer csea booklets as you such as. ... senior probation officer csea booklets ... CIVIL SERVICE TEST PREP Prepare for your civil service examination with free Civil Service Test Preparation Booklets, online courses and civil service test preparation workshops. #75822 PROBATION OFFICER 2/SENIOR ... DISTINGUISHING FEATURES OF THE CLASS: This is a senior level professional position in a probation department responsible for the control, supervision and care ... Probation and Parole Series The written tests for the entry-level titles of the Probation and Parole Series will cover the following subject areas: 1.

PRINCIPLES AND PRACTICES OF OFFENDER ... DEPARTMENT OF HUMAN RESOURCES Study Guide ... This guide was developed to help you prepare to take the written examination for. Senior Probation Officer. It contains general test-taking advice and also ... Test guides - NYS Civil Service - New York State No information is available for this page. Probation Supervisor I | Erie County Civil Service ... Apr 17, 2019 — Examples of Duties: A Probation Supervisor I supervises the activities of four to seven Probation Officer Trainees, Probation Officers 1 or 2/ ... Study Guides Study Guides. Paper copies of the study guides are available at the Human Resources Department. ... Senior Stenographer/Senior Typist · Social Welfare Examiner ... Call Me by Your Name (2017) In 1980s Italy, romance blossoms between a seventeen-year-old student and the older man hired as his father's research assistant. Call Me by Your Name (film) Set in 1983 in northern Italy, Call Me by Your Name chronicles the romantic relationship between a 17-year-old, Elio Perlman (Timothée Chalamet), and Oliver ( ... Watch Call Me by Your Name In the summer of 1983, 17-year-old Elio forms a life-changing bond with his father's charismatic research assistant Oliver in the Italian countryside. Watch Call Me By Your Name | Prime Video A romance between a seventeen year-old boy and a summer guest at his parents' cliffside mansion on the Italian Riviera. 25,3042 h 11 min2018. Call Me By Your Name #1 Call Me by Your Name is the story of a sudden and powerful romance that blossoms between an adolescent boy and a summer guest at his parents' cliff-side ... Call Me by Your Name Luca Guadagnino's lush Italian masterpiece, "Call Me by Your Name," is full of romantic subtleties: long lingering looks, brief touches, meaning-laden passages ... Call Me By Your Name || A Sony Pictures Classics Release Soon, Elio and Oliver discover a summer that will alter their lives forever. CALL ME BY YOUR NAME, directed by Luca Guadagnino and written by James Ivory, is ... The Empty, Sanitized Intimacy of "Call Me by Your Name" Nov 28, 2017 — It's a story about romantic melancholy and a sense of loss as a crucial element of maturation and self-discovery, alongside erotic exploration, ... Call Me By Your Name review: A masterful story of first love ... Nov 22, 2017 — Luca Guadagnino's new film, which adapts André Aciman's 2007 novel about a precocious 17-year-old who falls in lust and love with his father's ...