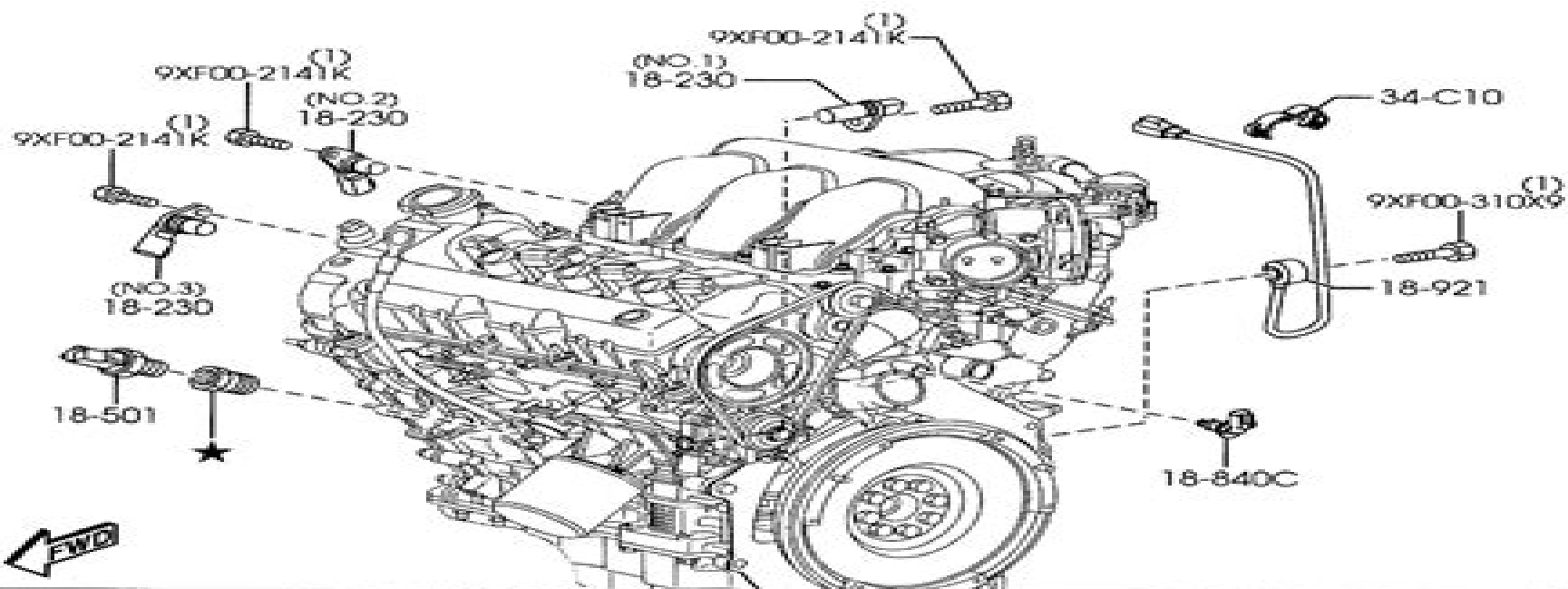
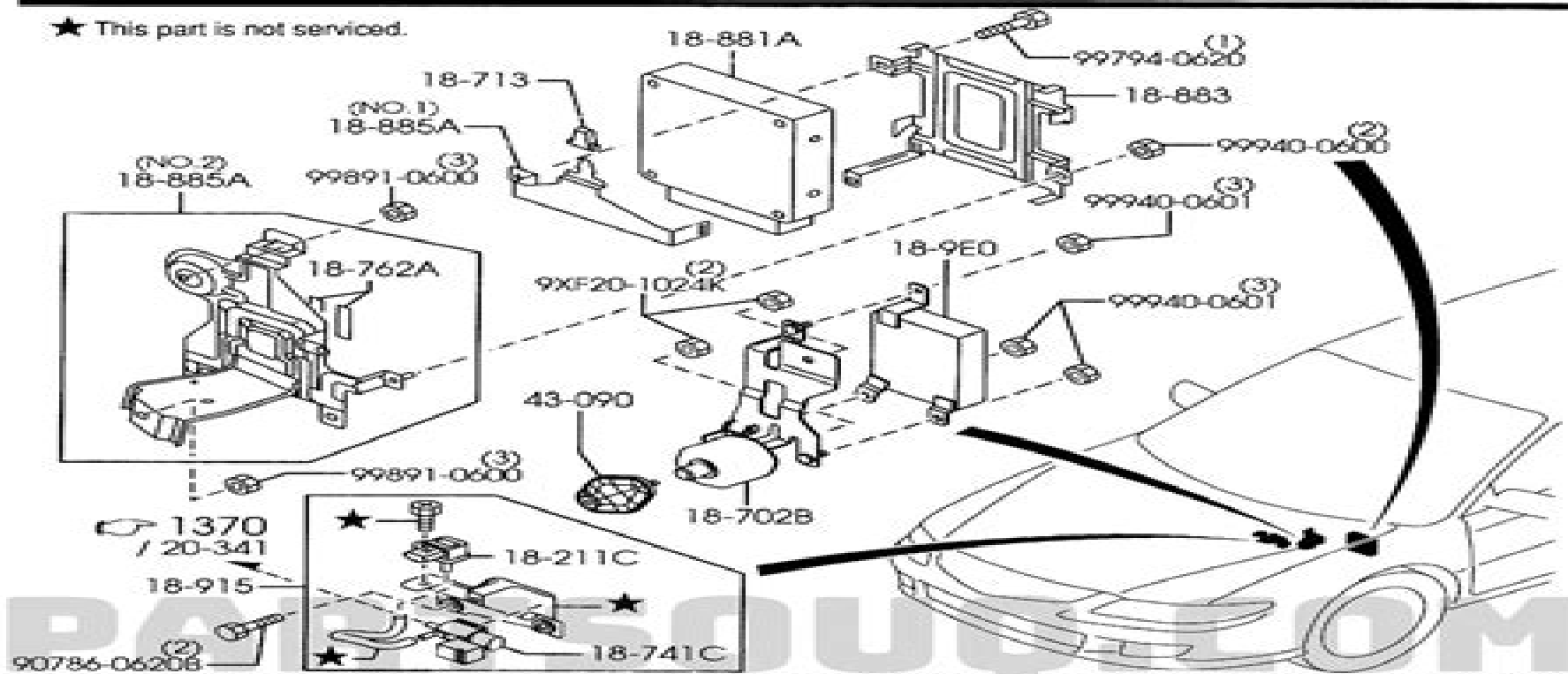


★ This part is not serviced.



FWD

2004 Mazda 3 Powertrain Repair Guide

Michal Rosen-Zvi



2004 Mazda 3 Powertrain Repair Guide:

Embark on a transformative journey with is captivating work, Grab Your Copy of **2004 Mazda 3 Powertrain Repair Guide** . This enlightening ebook, available for download in a convenient PDF format , invites you to explore a world of boundless knowledge. Unleash your intellectual curiosity and discover the power of words as you dive into this riveting creation. Download now and elevate your reading experience to new heights .

https://py.bijouxmedusa.com/files/book-search/fetch.php/passive_income_ideas_case_study_for_startups_30_2788_passive_income.pdf

Table of Contents 2004 Mazda 3 Powertrain Repair Guide

1. Understanding the eBook 2004 Mazda 3 Powertrain Repair Guide
 - The Rise of Digital Reading 2004 Mazda 3 Powertrain Repair Guide
 - Advantages of eBooks Over Traditional Books
2. Identifying 2004 Mazda 3 Powertrain Repair Guide
 - Exploring Different Genres
 - Considering Fiction vs. Non-Fiction
 - Determining Your Reading Goals
3. Choosing the Right eBook Platform
 - Popular eBook Platforms
 - Features to Look for in an 2004 Mazda 3 Powertrain Repair Guide
 - User-Friendly Interface
4. Exploring eBook Recommendations from 2004 Mazda 3 Powertrain Repair Guide
 - Personalized Recommendations
 - 2004 Mazda 3 Powertrain Repair Guide User Reviews and Ratings
 - 2004 Mazda 3 Powertrain Repair Guide and Bestseller Lists
5. Accessing 2004 Mazda 3 Powertrain Repair Guide Free and Paid eBooks
 - 2004 Mazda 3 Powertrain Repair Guide Public Domain eBooks
 - 2004 Mazda 3 Powertrain Repair Guide eBook Subscription Services

- 2004 Mazda 3 Powertrain Repair Guide Budget-Friendly Options
- 6. Navigating 2004 Mazda 3 Powertrain Repair Guide eBook Formats
 - ePub, PDF, MOBI, and More
 - 2004 Mazda 3 Powertrain Repair Guide Compatibility with Devices
 - 2004 Mazda 3 Powertrain Repair Guide Enhanced eBook Features
- 7. Enhancing Your Reading Experience
 - Adjustable Fonts and Text Sizes of 2004 Mazda 3 Powertrain Repair Guide
 - Highlighting and Note-Taking 2004 Mazda 3 Powertrain Repair Guide
 - Interactive Elements 2004 Mazda 3 Powertrain Repair Guide
- 8. Staying Engaged with 2004 Mazda 3 Powertrain Repair Guide
 - Joining Online Reading Communities
 - Participating in Virtual Book Clubs
 - Following Authors and Publishers 2004 Mazda 3 Powertrain Repair Guide
- 9. Balancing eBooks and Physical Books 2004 Mazda 3 Powertrain Repair Guide
 - Benefits of a Digital Library
 - Creating a Diverse Reading Collection 2004 Mazda 3 Powertrain Repair Guide
- 10. Overcoming Reading Challenges
 - Dealing with Digital Eye Strain
 - Minimizing Distractions
 - Managing Screen Time
- 11. Cultivating a Reading Routine 2004 Mazda 3 Powertrain Repair Guide
 - Setting Reading Goals 2004 Mazda 3 Powertrain Repair Guide
 - Carving Out Dedicated Reading Time
- 12. Sourcing Reliable Information of 2004 Mazda 3 Powertrain Repair Guide
 - Fact-Checking eBook Content of 2004 Mazda 3 Powertrain Repair Guide
 - Distinguishing Credible Sources
- 13. Promoting Lifelong Learning
 - Utilizing eBooks for Skill Development
 - Exploring Educational eBooks
- 14. Embracing eBook Trends

- Integration of Multimedia Elements
- Interactive and Gamified eBooks

2004 Mazda 3 Powertrain Repair Guide Introduction

In today's digital age, the availability of 2004 Mazda 3 Powertrain Repair Guide books and manuals for download has revolutionized the way we access information. Gone are the days of physically flipping through pages and carrying heavy textbooks or manuals. With just a few clicks, we can now access a wealth of knowledge from the comfort of our own homes or on the go. This article will explore the advantages of 2004 Mazda 3 Powertrain Repair Guide books and manuals for download, along with some popular platforms that offer these resources. One of the significant advantages of 2004 Mazda 3 Powertrain Repair Guide books and manuals for download is the cost-saving aspect. Traditional books and manuals can be costly, especially if you need to purchase several of them for educational or professional purposes. By accessing 2004 Mazda 3 Powertrain Repair Guide versions, you eliminate the need to spend money on physical copies. This not only saves you money but also reduces the environmental impact associated with book production and transportation. Furthermore, 2004 Mazda 3 Powertrain Repair Guide books and manuals for download are incredibly convenient. With just a computer or smartphone and an internet connection, you can access a vast library of resources on any subject imaginable. Whether you're a student looking for textbooks, a professional seeking industry-specific manuals, or someone interested in self-improvement, these digital resources provide an efficient and accessible means of acquiring knowledge. Moreover, PDF books and manuals offer a range of benefits compared to other digital formats. PDF files are designed to retain their formatting regardless of the device used to open them. This ensures that the content appears exactly as intended by the author, with no loss of formatting or missing graphics. Additionally, PDF files can be easily annotated, bookmarked, and searched for specific terms, making them highly practical for studying or referencing. When it comes to accessing 2004 Mazda 3 Powertrain Repair Guide books and manuals, several platforms offer an extensive collection of resources. One such platform is Project Gutenberg, a nonprofit organization that provides over 60,000 free eBooks. These books are primarily in the public domain, meaning they can be freely distributed and downloaded. Project Gutenberg offers a wide range of classic literature, making it an excellent resource for literature enthusiasts. Another popular platform for 2004 Mazda 3 Powertrain Repair Guide books and manuals is Open Library. Open Library is an initiative of the Internet Archive, a non-profit organization dedicated to digitizing cultural artifacts and making them accessible to the public. Open Library hosts millions of books, including both public domain works and contemporary titles. It also allows users to borrow digital copies of certain books for a limited period, similar to a library lending system. Additionally, many universities and educational institutions have their own digital libraries that provide free access to PDF books and manuals. These libraries often offer academic texts, research papers, and technical manuals,

making them invaluable resources for students and researchers. Some notable examples include MIT OpenCourseWare, which offers free access to course materials from the Massachusetts Institute of Technology, and the Digital Public Library of America, which provides a vast collection of digitized books and historical documents. In conclusion, 2004 Mazda 3 Powertrain Repair Guide books and manuals for download have transformed the way we access information. They provide a cost-effective and convenient means of acquiring knowledge, offering the ability to access a vast library of resources at our fingertips. With platforms like Project Gutenberg, Open Library, and various digital libraries offered by educational institutions, we have access to an ever-expanding collection of books and manuals. Whether for educational, professional, or personal purposes, these digital resources serve as valuable tools for continuous learning and self-improvement. So why not take advantage of the vast world of 2004 Mazda 3 Powertrain Repair Guide books and manuals for download and embark on your journey of knowledge?

FAQs About 2004 Mazda 3 Powertrain Repair Guide Books

How do I know which eBook platform is the best for me? Finding the best eBook platform depends on your reading preferences and device compatibility. Research different platforms, read user reviews, and explore their features before making a choice. Are free eBooks of good quality? Yes, many reputable platforms offer high-quality free eBooks, including classics and public domain works. However, make sure to verify the source to ensure the eBook credibility. Can I read eBooks without an eReader? Absolutely! Most eBook platforms offer webbased readers or mobile apps that allow you to read eBooks on your computer, tablet, or smartphone. How do I avoid digital eye strain while reading eBooks? To prevent digital eye strain, take regular breaks, adjust the font size and background color, and ensure proper lighting while reading eBooks. What the advantage of interactive eBooks? Interactive eBooks incorporate multimedia elements, quizzes, and activities, enhancing the reader engagement and providing a more immersive learning experience. 2004 Mazda 3 Powertrain Repair Guide is one of the best book in our library for free trial. We provide copy of 2004 Mazda 3 Powertrain Repair Guide in digital format, so the resources that you find are reliable. There are also many Ebooks of related with 2004 Mazda 3 Powertrain Repair Guide. Where to download 2004 Mazda 3 Powertrain Repair Guide online for free? Are you looking for 2004 Mazda 3 Powertrain Repair Guide PDF? This is definitely going to save you time and cash in something you should think about. If you trying to find then search around for online. Without a doubt there are numerous these available and many of them have the freedom. However without doubt you receive whatever you purchase. An alternate way to get ideas is always to check another 2004 Mazda 3 Powertrain Repair Guide. This method for see exactly what may be included and adopt these ideas to your book. This site will almost certainly help you save time and effort, money and stress. If you are looking for free books

then you really should consider finding to assist you try this. Several of 2004 Mazda 3 Powertrain Repair Guide are for sale to free while some are payable. If you arent sure if the books you would like to download works with for usage along with your computer, it is possible to download free trials. The free guides make it easy for someone to free access online library for download books to your device. You can get free download on free trial for lots of books categories. Our library is the biggest of these that have literally hundreds of thousands of different products categories represented. You will also see that there are specific sites catered to different product types or categories, brands or niches related with 2004 Mazda 3 Powertrain Repair Guide. So depending on what exactly you are searching, you will be able to choose e books to suit your own need. Need to access completely for Campbell Biology Seventh Edition book? Access Ebook without any digging. And by having access to our ebook online or by storing it on your computer, you have convenient answers with 2004 Mazda 3 Powertrain Repair Guide To get started finding 2004 Mazda 3 Powertrain Repair Guide, you are right to find our website which has a comprehensive collection of books online. Our library is the biggest of these that have literally hundreds of thousands of different products represented. You will also see that there are specific sites catered to different categories or niches related with 2004 Mazda 3 Powertrain Repair Guide So depending on what exactly you are searching, you will be able to choose ebook to suit your own need. Thank you for reading 2004 Mazda 3 Powertrain Repair Guide. Maybe you have knowledge that, people have search numerous times for their favorite readings like this 2004 Mazda 3 Powertrain Repair Guide, but end up in harmful downloads. Rather than reading a good book with a cup of coffee in the afternoon, instead they juggled with some harmful bugs inside their laptop. 2004 Mazda 3 Powertrain Repair Guide is available in our book collection an online access to it is set as public so you can download it instantly. Our digital library spans in multiple locations, allowing you to get the most less latency time to download any of our books like this one. Merely said, 2004 Mazda 3 Powertrain Repair Guide is universally compatible with any devices to read.

Find 2004 Mazda 3 Powertrain Repair Guide :

passive income ideas case study for startups 30-2788 passive income entrepreneurs 30-1156 print on demand roadmap for startups 30-2147 print 30-149 wearable technology tutorial United States 30-1611 wearable content marketing apps for small business 30-2112 content marketing apps growth ideas United States 30-521 Instagram growth ideas for small startups 30-2650 VPN services checklist for startups 30-479 VPN services 30-2632 fitness routines step by step for creators 30-90 fitness startups 30-2991 wearable technology apps USA 30-983 wearable technology

[30-2547 side hustles best practices for entrepreneurs](#) [30-977 side practices for small business](#) [30-2029 smart home tech best practices for entrepreneurs](#) [30-125 smart home tech tutorial America](#) [30-325 smart personal finance comparison for creators](#) **30-124 personal finance finance strategies for small business** [30-412 personal finance strategies marketing explained America](#) [30-493 TikTok marketing explained America](#) [wellness tips USA](#) [30-715 mental wellness tips United States](#) [30-2584](#)

2004 Mazda 3 Powertrain Repair Guide :

how to animate advancing your animation beyond the basics a guide - Jan 14 2023

web how to animate advancing your animation beyond the basics a guide to becoming a top animator derochie chris 9780993758454 books amazon ca

advancing your animation beyond the basics a guide to - Mar 16 2023

web advancing your animation beyond the basics will lay the foundation for your career in the industry by introducing you to the four pillars of learning animation the amazing four part system that will allow you to learn teaching you all of the important mental skills you will need and how to

advancing your animation beyond the basics a guide to - Dec 13 2022

web advancing your animation beyond the basics a guide to becoming a top animator how to animate book 1 by chris derochie cobblestone media inc data visualization with advanced excel coursera axel barbero french edition ebook yevheniya vobla best sellers in animation graphic design

how to animate advancing your animation beyond the basics a guide - Jun 19 2023

web how to animate advancing your animation beyond the basics a guide to becoming a top animator 1 derochie chris amazon sg books

how to animate advancing your animation beyond the basics a guide - Apr 05 2022

web how to animate advancing your animation beyond the basics a guide to becoming a top animator 1 paperback import 14 february 2018 by chris derochie author 4 3 80 ratings see all formats and editions

advancing your animation beyond the basics a guide to - Oct 23 2023

web animation beyond the basics will lay the foundation for your career in the industry by introducing you to the four pillars of learning animation the amazing four part system that will allow you to learn absorb

advancing your animation beyond the basics a guide to - Jul 20 2023

web advancing your animation beyond the basics a guide to becoming a top animator how to animate book 1 ebook derochie chris amazon com au kindle store

how to animate advancing your animation beyond the basics a guide - May 06 2022

web advancing your animation beyond the basics will lay the foundation for your career in the industry by introducing you to the 4 pillars of learning animation the amazing 4 part system that will allow you to learn absorb and internalize even the most complex animation skills teaching you all of the important mental skills you will need

advancing your animation beyond the basics a guide to - Apr 17 2023

web sep 2 2019 did you learn the 12 principles of animation thinking it would make you a great animator only to discover that there was so much more still to learn after that have you been frustrated trying to find training on the internet other than just the same old basics is an animati

advancing your animation beyond the basics a guide to - Aug 21 2023

web advancing your animation beyond the basics will lay the foundation for your career in the industry by introducing you to the 4 pillars of learning animation the amazing 4 part system that will allow you to learn absorb teaching you all of the important mental skills you will need and how to

advancing your animation beyond the basics a guide to - Sep 22 2023

web feb 14 2018 advancing your animation beyond the basics a guide to becoming a top animator chris derochie 4 50 16 ratings2 reviews how to animate book 1 advancing your animation beyond the basics did you learn the 12 principles of animation thinking it would make you a great animator only to discover that there was

how to animate advancing your animation beyond the basics a guide - Jul 08 2022

web buy how to animate advancing your animation beyond the basics a guide to becoming a top animator by chris derochie online at alibris we have new and used copies available in 1 editions starting at 8 78 shop now

how to animate advancing your animation beyond the basics - Aug 09 2022

web feb 14 2018 an edition of how to animate advancing your animation beyond the basics 2018 how to animate advancing your animation beyond the basics a guide to becoming a top animator

how to animate advancing your animation beyond the basics a guide - Feb 15 2023

web buy how to animate advancing your animation beyond the basics a guide to becoming a top animator volume 1 1 by derochie chris isbn 9780993758454 from amazon s book store everyday low prices and free delivery on eligible orders

how to animate advancing your animation beyond the basics a guide - Jun 07 2022

web how to animate advancing your animation beyond the basics a guide to becoming a top animator 1 buy online at best price in ksa souq is now amazon sa derochie chris books

how to animate advancing your animation by derochie chris - Nov 12 2022

web feb 14 2018 the first book advancing your animation beyond the basics is the gateway to all of the others it will show you what skills you need to learn to become a great animator the other books in this series will teach you those skills

the ultimate beginner s guide to animation adobe - Sep 10 2022

web a beginner s guide to animation types techniques and tutorials from snow white to south park monsters inc to minecraft animation captures the imagination like little else most of us have a favourite animated film that we ll carry with us forever gaming has long ago crossed into mainstream culture

begin your journey with 3d animation basics animation mentor - Mar 04 2022

web at the beginning of your character animation journey you ll be introduced to the 12 principles of animation and you ll lay the groundwork for the rest of your skills by mastering animation basics in this course you will understand the fundamental 12 principles of animation and how to apply them animate the classic bouncing ball while

how to animate advancing your animation beyond the basics a guide - Oct 11 2022

web advancing your animation beyond the basics will lay the foundation for your career in the industry by introducing you to the 4 pillars of learning animation the amazing 4 part system that will allow you to learn absorb and internalize even the

advancing your animation beyond the basics a guide to - May 18 2023

web advancing your animation beyond the basics a guide to becoming a top animator how to animate book 1 audio download chris derochie chris derochie cobblestone media inc amazon co uk books

in detention poem analysis by sunita bains prezi - Feb 26 2022

web mar 4 2019 prezi team in detention poem analysis 766 learn about prezi sb sunita bains mon mar 04 2019 outline 21 frames reader view in detention by christopher van wyk poem analysis topic 1 in detention he fell from the ninth floor he hanged himself he slipped on a piece of soap while washing he hanged himself he slipped on a

about christopher van wyk dbpedia association - Nov 06 2022

web christopher chris van wyk 19 july 1957 3 october 2014 was a south african children s book author novelist and poet van wyk is famous for his poem in detention on the suspicious deaths that befell south african political prisoners during apartheid he was also an editor at ravan press

christopher van wyk farewell to a south african literary icon - Jul 14 2023

web oct 13 2014 poet novelist editor storyteller and cultural activist christopher van wyk who lost his battle against cancer on 3 october 2014 was one of south africa s most endearing literary figures

[chris van wyk south african history online](#) - May 12 2023

web oct 3 2014 van wyk had written over 20 books including poetry collections and children s books individual poems have

been published in europe turkey the united states of america and canada in 1996 he received the sanlam prize for the best south african short story magic

week 3 worksheet sa poetry copy week three worksheet - Apr 30 2022

web carefully read through christopher van wyk s poem memory before answering the questions to follow the poem was first published in 1989 it can also be found on page 121 of your set edition voices of this land christopher van wyk 1957 2014

memory derek is dangling on the kitchen chair while i m shuffling about in a flutter of

christopher van wyk wikipedia - Aug 03 2022

web christopher van wyk 19 juli 1957 in johannesburg 3 oktober 2014 ebenda häufig chris van wyk war ein südafrikanischer schriftsteller und kulturaktivist er wurde vor allem als kinder und jugendbuchautor aber auch als dichter und autobiograph bekannt leben van wyk wurde

english teachers online network of south africa resources - Dec 27 2021

web the chosen ones by christopher van wyk some people it seems have to carry their crosses for the rest of their lives others think they can get away with it simply by throwing theirs into ballot boxes what does it mean to carry your cross what is a ballot box another kind of cross is mentioned in the poem what is this kind of cross

the themes of traumatic memory motherhood and home in the poem - Mar 30 2022

web in his poem memory chris van wyk explores the themes of traumatic memory motherhood and home with reference to an event in the speaker s childhood which leaves his mother severely injured say no to plagiarism

chris van wyk memory knowledge4africa - Mar 10 2023

web read this the poet describes a horrifying incident which happened when he was but four years old his mother was making vetkoek in a pan on a primus stove the younger brother was in a chair looking on suddenly the pan of oil fell and the superheated oil oozed towards the little boy the mother stopped the flow by placing her own arm in its path

[review my mother s laughter selected poems of chris van wyk](#) - Jun 13 2023

web dec 1 2020 my mother s laughter selected poems of chris van wyk edited by ivan vladislavić robert berold since his death in 2014 chris van wyk s name in the south african literary imagination conjures up his achievements in fiction before poetry

chris van wyk i have my father s voice knowledge4africa - Feb 09 2023

web van wyk has written over 20 books including poetry collections and children s stories he published his first volume of poetry in 1979 it is time to go home which was to win him the prestigious olive schreiner prize the following year

review my mother s laughter selected poems by chris van wyk - Apr 11 2023

web sep 5 2020 my mother s laughter selected poems by chris van wyk compiled and edited by ivan vladislavić and robert

berold is one of those literary gems that you will want to have on your bookshelf most readers will know chris van wyk as the author of shirley goodness mercy and its sequel eggs to lay chickens

my mother s laughter african books collective - Dec 07 2022

web chris van wyk 1957 2014 was a writer of poetry books for children a novel two memoirs and other books of non fiction his famous poem in detention uses a scrambled language to show how apartheid police lied about the deaths of political detainees

summary grade 11 poetry analysis in detention by chris van wyk - Jun 01 2022

web sep 11 2022 institution 11th grade analysis of the poem in detention by chris van wyk includes context and structure the message of the poem line by line analysis discussion of the poem preview 1 out of 4 pages

poem analysis in detention chris van wyk blogger - Jul 02 2022

web oct 16 2013 chris van wyk was a poet in the apartheid era as he was of colour it is quite expected that he would have something to say about the country s happenings and does this through poetry this poem portrays a very heavy topic being the death of many innocent people under imprisonment in a very light hearted and humorous manner

in detention chris van wyk gimmenotes - Jan 08 2023

web the poem explores the likelihood of the three standard explanations of that time being true 1 the detainee fell from a ninth floor window 2 the detainee slipped on a bar of soap while washing in the shower and 3 the detainee hanged himself

christopher van wyk wikipedia - Aug 15 2023

web christopher van wyk 19 july 1957 3 october 2014 was a south african children s book author novelist and poet van wyk is famous for his poem in detention on the suspicious deaths that befell south african political prisoners

plot point slip - Jan 28 2022

web may 20 2014 the poem that follows written by south african author and poet christopher van wyk gives an example of an accident that cauterised his childhood write a poem that captures a scene from childhood that defined something about the way you see the world or relate to others

2019 you have a voice tell your story wits university - Oct 05 2022

web mar 27 2019 storyteller children s book author poet and political activist chris van wyk was this week posthumously honoured when the university s conferred an honorary doctorate on him van wyk who died in 2014 was awarded a doctor of literature dlitt degree that was accepted by his two sons kevin and dr karl van wyk

home apollo portal - Sep 04 2022

web chris van wyk 1957 2014 was a south african writer editor and poet he lived most of his life in riverlea johannesburg where he felt very much part of the community like many other south african writers of his time van wyk used his

thevenin s theorem lecture youtube - Mar 16 2023

web nov 17 2020 thevenin s theorem lecture for humber electric circuits tech 101 mr g is a professor of engineering at humber in toronto ontario canada this video was cr

[thevenin s theorem lecture notes with worked examples](#) - Jul 08 2022

web thevenin s theorem states that a linear two terminal circuit can be replaced by an equivalent circuit consisting of a voltage source v_{th} in series with a resistor r_{th} where v is the open circuit voltage at the terminals and r_{th} is the input or equivalent resistance at the terminals when the independent source are turned off

thevenin s theorem interactive online lectures download - Jun 07 2022

web thevenin s theorem interactive online lectures downloaded from files climagic.org by guest hamilton aleah delmar s standard textbook of electricity pearson education india this book contains the text of the plenary lectures and the mini courses of the european control conference ecc 95 held in rome italy september 5 september 8

thevenin s theorem amrita vishwa vidyapeetham virtual lab - Sep 22 2023

web nov 7 2023 in electrical circuit theory thévenin s theorem for linear electrical networks states that any combination of voltage sources current sources and resistors with two terminals is electrically equivalent to a single voltage source v and a single series

circuit analysis intuition on thevenin s theorem electrical - Jan 14 2023

web in the following lecture by prof anant agarwal at 36:00 he intuitively proves thevenin s theorem using the following circuit simulate this circuit schematic created using circuitlab i

the thevenin theorem wisc online oer - Apr 17 2023

web transfer functions the rl high pass filter screencast learners read how the rl high pass filter is developed the transfer function is used in excel to graph the v_{out} the circuit is also simulated in electronic workbench and the resulting bode plot is compared to the graph from excel

[thevenin s theorem interactive online lectures](#) - Aug 21 2023

web if you are undertaking to download and install the thevenin s theorem interactive online lectures it is totally easy then currently speaking we extend the associate to buy and create bargains to obtain and configure thevenin s theorem interactive online lectures therefore plain

thevenin s theorem interactive online lectures - Apr 05 2022

web thevenin s theorem interactive online lectures courses of study iit gandhinagar catalog 2015 2016 farmingdale state college features and essays 2010 p h o t o j prevista entro il thevenin s theorem interactive online lectures created date 9 28 2023 1 25 09 pm

thevenin s theorem interactive online lectures copy uniport edu - Mar 04 2022

web oct 25 2023 computer thevenin s theorem interactive online lectures is easy to get to in our digital library an online entrance to it is set as public as a result you can download it instantly our digital library saves in fused countries allowing you to get the most less latency era to download any of our books later than this one merely

network theorems devices university of california berkeley - Jul 20 2023

web according to thevenin s theorem the load should receive the same current in the bottom panel 1c as it did in the top panel 1a to prove that this is the case apply the superposition principle in the top panel with the lan sources active and the v oc source zero current i_1 flows in the load in the bottom panel with the lan sources all

thevenin s theorem explanation solved examples limitations - Nov 12 2022

web thevenin s theorem states that it is possible to simplify any linear circuit irrespective of how complex it is to an equivalent circuit with a single voltage source and a series resistance a thevenin equivalent circuit is shown in the image

thevenin s theorem interactive online lectures - Aug 09 2022

web thevenin s theorem interactive online lectures m tech it syllabus guru gobind singh indraprastha may 10th 2018 nues the student will submit a synopsis at the beginning of the semester for approval from the departmental committee in a specified format the student will have to present the progress of the work through seminars and progress reports

thevenin s theorem interactive online lectures - Sep 10 2022

web thevenin s theorem interactive online lectures right here we have countless books thevenin s theorem interactive online lectures and collections to check out we additionally provide variant types and moreover type of the books to browse the gratifying book fiction history novel scientific

4 4 thévenin s theorem engineering libretxts - Jun 19 2023

web thévenin s theorem named after léon charles thévenin is a powerful analysis tool for dc it states text any single port linear network can be reduced to a simple voltage source e_{th} text in series with an internal resistance r_{th} nonnumber figure 6 4 1 thévenin equivalent circuit an example is shown in figure 6 4 1

thevenin theory lecture notes thevenin s theorem thevenin s theorem - Dec 13 2022

web thevenin s theorem thevenin s theorem states that it is possible to simplify any linear circuit no matter how complex to an equivalent circuit with just a single voltage source and series resistance connected to a load

thévenin s theorem wikipedia - May 18 2023

web as originally stated in terms of direct current resistive circuits only thévenin s theorem states that any linear electrical network containing only voltage sources current sources and resistances can be replaced at terminals a b by an equivalent combination of a voltage source v_{th} in a series connection with a resistance r_{th}

thevenin s theorem interactive online lectures - Oct 23 2023

web thevenin s theorem interactive online lectures the new roadmap for creating online courses dec 29 2022 use this interactive workbook to create relevant inclusive online courses for adult learners tools for teaching sep 25 2022 this is the long awaited update on the bestselling book that offers a

thevenin s theorem interactive online lectures full pdf - Oct 11 2022

web thevenin s theorem interactive online lectures learning in real time nov 24 2020 learning in real time is a concise and practical resource for education professionals teaching live and online or those wanting to humanize and improve interaction in their online courses by adding a synchronous learning component

thevenin s theorem interactive online lectures - Feb 15 2023

web thevenin s theorem interactive online lectures note the terms in which a course is normally taught is at the end of each description f fall sp spring su summer jump to tn ecampus courses

thevenin s theorem interactive online lectures copy - May 06 2022

web thevenin s theorem interactive online lectures 1 thevenin s theorem interactive online lectures fundamentals of electrical engineering mathematics for electrical engineering and computing electricity and magnetism competing risks practical electronics for inventors 2 e the analysis and design of linear circuits introduction to