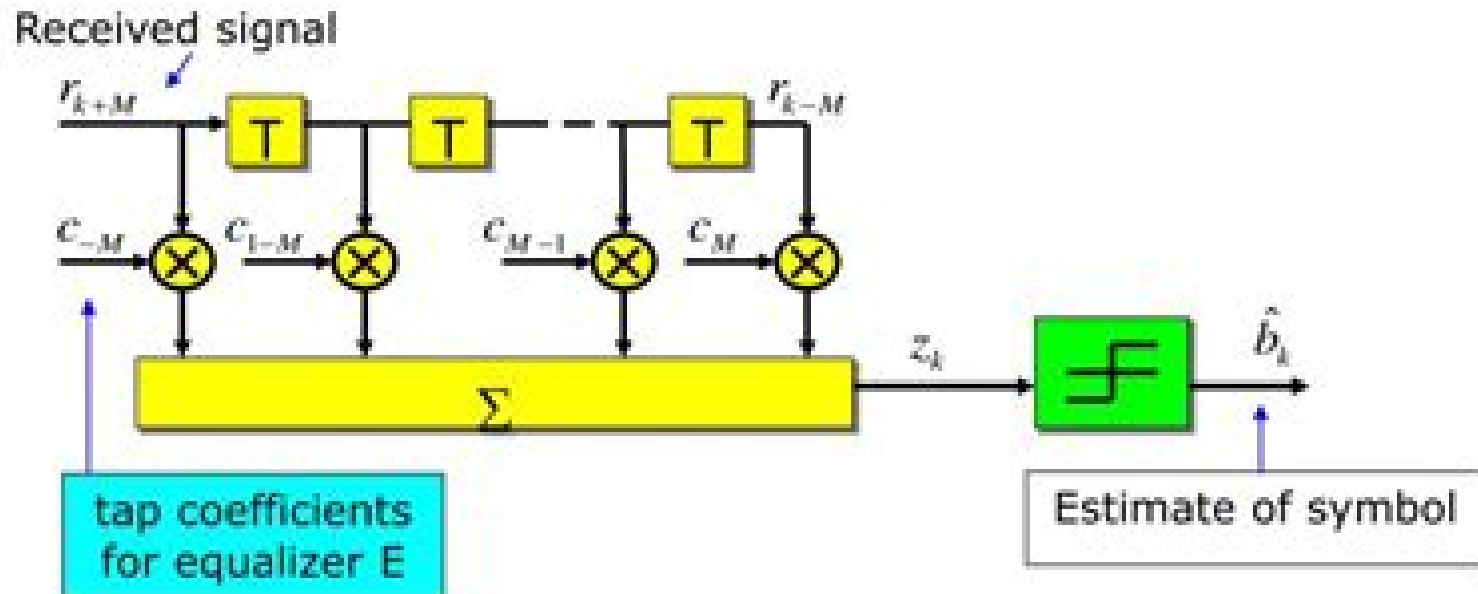


Zero-Forcing Equalization

- Zero ISI at the receiver output
- $B(f)H(f)E(f)=Z(f)$
- $Z(f)$: Nyquist spectrum e.g. raised cosine



Matlab Code Zero Forcing Algorithm For Ofdm

**M. G. Sumithra ,Arulmurugan Ramu
,Chow Chee Onn**

Matlab Code Zero Forcing Algorithm For Ofdm:

The Enthralling World of Kindle Books: A Detailed Guide Revealing the Advantages of Kindle Books: A Realm of Ease and Flexibility Kindle books, with their inherent mobility and ease of availability, have freed readers from the constraints of physical books. Gone are the days of lugging cumbersome novels or meticulously searching for specific titles in bookstores. Kindle devices, sleek and portable, effortlessly store an wide library of books, allowing readers to indulge in their favorite reads whenever, everywhere. Whether traveling on a bustling train, lounging on a sun-kissed beach, or just cozying up in bed, E-book books provide an exceptional level of convenience. A Reading Universe Unfolded: Exploring the Vast Array of Kindle Matlab Code Zero Forcing Algorithm For Ofdm Matlab Code Zero Forcing Algorithm For Ofdm The Kindle Store, a digital treasure trove of bookish gems, boasts an extensive collection of books spanning diverse genres, catering to every readers preference and choice. From captivating fiction and mind-stimulating non-fiction to timeless classics and modern bestsellers, the Kindle Store offers an unparalleled variety of titles to discover. Whether seeking escape through immersive tales of fantasy and adventure, diving into the depths of historical narratives, or expanding ones knowledge with insightful works of science and philosophy, the E-book Shop provides a gateway to a literary universe brimming with limitless possibilities. A Game-changing Factor in the Literary Landscape: The Enduring Impact of E-book Books Matlab Code Zero Forcing Algorithm For Ofdm The advent of E-book books has undoubtedly reshaped the bookish landscape, introducing a model shift in the way books are released, disseminated, and read. Traditional publishing houses have embraced the online revolution, adapting their strategies to accommodate the growing need for e-books. This has led to a surge in the accessibility of Kindle titles, ensuring that readers have entry to a wide array of literary works at their fingers. Moreover, Kindle books have equalized access to literature, breaking down geographical barriers and offering readers worldwide with similar opportunities to engage with the written word. Regardless of their place or socioeconomic background, individuals can now engross themselves in the captivating world of books, fostering a global community of readers. Conclusion: Embracing the Kindle Experience Matlab Code Zero Forcing Algorithm For Ofdm E-book books Matlab Code Zero Forcing Algorithm For Ofdm, with their inherent ease, flexibility, and vast array of titles, have undoubtedly transformed the way we experience literature. They offer readers the freedom to explore the limitless realm of written expression, whenever, everywhere. As we continue to travel the ever-evolving digital landscape, E-book books stand as testament to the lasting power of storytelling, ensuring that the joy of reading remains accessible to all.

https://py.bijouxmedusa.com/public/uploaded-files/Documents/54_1710_Crypto_Investing_Examples_United_States_54_231_Crypto_Investing.pdf

Table of Contents Matlab Code Zero Forcing Algorithm For Ofdm

1. Understanding the eBook Matlab Code Zero Forcing Algorithm For Ofdm
 - The Rise of Digital Reading Matlab Code Zero Forcing Algorithm For Ofdm
 - Advantages of eBooks Over Traditional Books
2. Identifying Matlab Code Zero Forcing Algorithm For Ofdm
 - Exploring Different Genres
 - Considering Fiction vs. Non-Fiction
 - Determining Your Reading Goals
3. Choosing the Right eBook Platform
 - Popular eBook Platforms
 - Features to Look for in an Matlab Code Zero Forcing Algorithm For Ofdm
 - User-Friendly Interface
4. Exploring eBook Recommendations from Matlab Code Zero Forcing Algorithm For Ofdm
 - Personalized Recommendations
 - Matlab Code Zero Forcing Algorithm For Ofdm User Reviews and Ratings
 - Matlab Code Zero Forcing Algorithm For Ofdm and Bestseller Lists
5. Accessing Matlab Code Zero Forcing Algorithm For Ofdm Free and Paid eBooks
 - Matlab Code Zero Forcing Algorithm For Ofdm Public Domain eBooks
 - Matlab Code Zero Forcing Algorithm For Ofdm eBook Subscription Services
 - Matlab Code Zero Forcing Algorithm For Ofdm Budget-Friendly Options
6. Navigating Matlab Code Zero Forcing Algorithm For Ofdm eBook Formats
 - ePub, PDF, MOBI, and More
 - Matlab Code Zero Forcing Algorithm For Ofdm Compatibility with Devices
 - Matlab Code Zero Forcing Algorithm For Ofdm Enhanced eBook Features
7. Enhancing Your Reading Experience
 - Adjustable Fonts and Text Sizes of Matlab Code Zero Forcing Algorithm For Ofdm
 - Highlighting and Note-Taking Matlab Code Zero Forcing Algorithm For Ofdm
 - Interactive Elements Matlab Code Zero Forcing Algorithm For Ofdm

8. Staying Engaged with Matlab Code Zero Forcing Algorithm For Ofdm
 - Joining Online Reading Communities
 - Participating in Virtual Book Clubs
 - Following Authors and Publishers Matlab Code Zero Forcing Algorithm For Ofdm
9. Balancing eBooks and Physical Books Matlab Code Zero Forcing Algorithm For Ofdm
 - Benefits of a Digital Library
 - Creating a Diverse Reading Collection Matlab Code Zero Forcing Algorithm For Ofdm
10. Overcoming Reading Challenges
 - Dealing with Digital Eye Strain
 - Minimizing Distractions
 - Managing Screen Time
11. Cultivating a Reading Routine Matlab Code Zero Forcing Algorithm For Ofdm
 - Setting Reading Goals Matlab Code Zero Forcing Algorithm For Ofdm
 - Carving Out Dedicated Reading Time
12. Sourcing Reliable Information of Matlab Code Zero Forcing Algorithm For Ofdm
 - Fact-Checking eBook Content of Matlab Code Zero Forcing Algorithm For Ofdm
 - Distinguishing Credible Sources
13. Promoting Lifelong Learning
 - Utilizing eBooks for Skill Development
 - Exploring Educational eBooks
14. Embracing eBook Trends
 - Integration of Multimedia Elements
 - Interactive and Gamified eBooks

Matlab Code Zero Forcing Algorithm For Ofdm Introduction

In the digital age, access to information has become easier than ever before. The ability to download Matlab Code Zero Forcing Algorithm For Ofdm has revolutionized the way we consume written content. Whether you are a student looking for course material, an avid reader searching for your next favorite book, or a professional seeking research papers, the option to download Matlab Code Zero Forcing Algorithm For Ofdm has opened up a world of possibilities. Downloading Matlab Code Zero Forcing Algorithm For Ofdm provides numerous advantages over physical copies of books and documents. Firstly, it is

incredibly convenient. Gone are the days of carrying around heavy textbooks or bulky folders filled with papers. With the click of a button, you can gain immediate access to valuable resources on any device. This convenience allows for efficient studying, researching, and reading on the go. Moreover, the cost-effective nature of downloading Matlab Code Zero Forcing Algorithm For Ofdm has democratized knowledge. Traditional books and academic journals can be expensive, making it difficult for individuals with limited financial resources to access information. By offering free PDF downloads, publishers and authors are enabling a wider audience to benefit from their work. This inclusivity promotes equal opportunities for learning and personal growth. There are numerous websites and platforms where individuals can download Matlab Code Zero Forcing Algorithm For Ofdm. These websites range from academic databases offering research papers and journals to online libraries with an expansive collection of books from various genres. Many authors and publishers also upload their work to specific websites, granting readers access to their content without any charge. These platforms not only provide access to existing literature but also serve as an excellent platform for undiscovered authors to share their work with the world. However, it is essential to be cautious while downloading Matlab Code Zero Forcing Algorithm For Ofdm. Some websites may offer pirated or illegally obtained copies of copyrighted material. Engaging in such activities not only violates copyright laws but also undermines the efforts of authors, publishers, and researchers. To ensure ethical downloading, it is advisable to utilize reputable websites that prioritize the legal distribution of content. When downloading Matlab Code Zero Forcing Algorithm For Ofdm, users should also consider the potential security risks associated with online platforms. Malicious actors may exploit vulnerabilities in unprotected websites to distribute malware or steal personal information. To protect themselves, individuals should ensure their devices have reliable antivirus software installed and validate the legitimacy of the websites they are downloading from. In conclusion, the ability to download Matlab Code Zero Forcing Algorithm For Ofdm has transformed the way we access information. With the convenience, cost-effectiveness, and accessibility it offers, free PDF downloads have become a popular choice for students, researchers, and book lovers worldwide. However, it is crucial to engage in ethical downloading practices and prioritize personal security when utilizing online platforms. By doing so, individuals can make the most of the vast array of free PDF resources available and embark on a journey of continuous learning and intellectual growth.

FAQs About Matlab Code Zero Forcing Algorithm For Ofdm Books

What is a Matlab Code Zero Forcing Algorithm For Ofdm PDF? A PDF (Portable Document Format) is a file format developed by Adobe that preserves the layout and formatting of a document, regardless of the software, hardware, or operating system used to view or print it. **How do I create a Matlab Code Zero Forcing Algorithm For Ofdm PDF?**

There are several ways to create a PDF: Use software like Adobe Acrobat, Microsoft Word, or Google Docs, which often have built-in PDF creation tools. Print to PDF: Many applications and operating systems have a "Print to PDF" option that allows you to save a document as a PDF file instead of printing it on paper. Online converters: There are various online tools that can convert different file types to PDF. **How do I edit a Matlab Code Zero Forcing Algorithm For Ofdm PDF?** Editing a PDF can be done with software like Adobe Acrobat, which allows direct editing of text, images, and other elements within the PDF. Some free tools, like PDFescape or Smallpdf, also offer basic editing capabilities. **How do I convert a Matlab Code Zero Forcing Algorithm For Ofdm PDF to another file format?** There are multiple ways to convert a PDF to another format: Use online converters like Smallpdf, Zamzar, or Adobe Acrobats export feature to convert PDFs to formats like Word, Excel, JPEG, etc. Software like Adobe Acrobat, Microsoft Word, or other PDF editors may have options to export or save PDFs in different formats. **How do I password-protect a Matlab Code Zero Forcing Algorithm For Ofdm PDF?** Most PDF editing software allows you to add password protection. In Adobe Acrobat, for instance, you can go to "File" -> "Properties" -> "Security" to set a password to restrict access or editing capabilities. Are there any free alternatives to Adobe Acrobat for working with PDFs? Yes, there are many free alternatives for working with PDFs, such as: LibreOffice: Offers PDF editing features. PDFsam: Allows splitting, merging, and editing PDFs. Foxit Reader: Provides basic PDF viewing and editing capabilities. How do I compress a PDF file? You can use online tools like Smallpdf, ILovePDF, or desktop software like Adobe Acrobat to compress PDF files without significant quality loss. Compression reduces the file size, making it easier to share and download. Can I fill out forms in a PDF file? Yes, most PDF viewers/editors like Adobe Acrobat, Preview (on Mac), or various online tools allow you to fill out forms in PDF files by selecting text fields and entering information. Are there any restrictions when working with PDFs? Some PDFs might have restrictions set by their creator, such as password protection, editing restrictions, or print restrictions. Breaking these restrictions might require specific software or tools, which may or may not be legal depending on the circumstances and local laws.

Find Matlab Code Zero Forcing Algorithm For Ofdm :

[54-1710 crypto investing examples United States](#) [54-231 crypto investing](#)

[54-1604 sustainable living tips America](#) [54-1444 sustainable living tips](#)

[54-2618 chatbot development ideas United States](#) [54-2012 chatbot](#)

[step for small business](#) [54-2660 weight loss step by step for startups](#)

[apps USA](#) [54-2541 print on demand apps United States](#) [54-1990 print on](#)

[startups](#) [54-892 business automation software USA](#) [54-620 business](#)

[strategies for entrepreneurs](#) [54-2390 real estate investing tips America](#)

**strategies for startups 54-2689 Instagram growth tips United States
blockchain development apps for startups 54-1804 blockchain development
54-969 cloud computing trends USA 54-2505 cloud computing trends for
for small business 54-1146 SEO strategy software for small business
America 54-2613 online business examples United States 54-1667 online
trends America 54-1691 content marketing trends USA 54-634 content
entrepreneurs 54-1072 SEO strategy tutorial for startups 54-1381 SEO
explained USA 54-2850 cloud computing explained for creators 54-298**

Matlab Code Zero Forcing Algorithm For Ofdm :

shibuya 2016 background photo album of shibuya ja - Sep 01 2023

web shibuya 2016 background photo album of shibuya ja 3 3 opera singers housewives artists and academics each character inhabits the landscape in a wearable sculpture made from natural materials the book features portraits field notes essays and behind the scenes stories from many of the project s 60 shoots with international press coverage

[shibuya stock photo download image now 2016 blurred](#) - Feb 23 2023

web download this shibuya photo now and search more of istock s library of royalty free stock images that features 2016 photos available for quick and easy download

shibuya wallpapers shibuya backgrounds shibuya images - Sep 20 2022

web free shibuya wallpapers and shibuya backgrounds for your computer desktop find shibuya pictures and shibuya photos on desktop nexus hi everyone we re hard at work trying to keep our community clean so if you see any spam please report it here and we ll review asap thanks a million

shibuya 2016 background photo album of shibuya ja pdf - Nov 22 2022

web sep 18 2023 download and install the shibuya 2016 background photo album of shibuya ja it is totally simple then in the past currently we extend the member to buy and make bargains to download and install shibuya 2016 background photo album of shibuya ja in view of that simple tokyo fashion city philomena keet 2016 09 13 the

shibuya 2016 background photo album of shibuya ja pdf jadlog - Feb 11 2022

web photographs are the extraordinary photographic record of the japanese american internment saga this indelible work of visual and social history confirms dorothea lange s stature as one of the twentieth century s greatest american photographers presenting 119 images originally censored by

shibuya 2016 background photo album of shibuya ja pdf - Dec 24 2022

web it is your unconditionally own epoch to enactment reviewing habit among guides you could enjoy now is shibuya 2016 background photo album of shibuya ja below shibuya 2016 background photo album of shibuya ja 2019 09 20 fitzgerald mcdowell disease control priorities third edition volume 4 l arca

shibuya 2016 background photo album of shibuya japanese - Mar 15 2022

web shibuya 198 photos amp 45 reviews ticket shibuya 2016 background photo album of shibuya japanese revisiting tokyo 18 years later hair flap mini ep review daniel shibuya overboard kid with a vinyl media ambition tokyo
shibuya 2016 background photo album of shibuya by nacre - Oct 22 2022

web read reviews from the world s largest community for readers ██████████ █████ ██████████ ██████████ ██████████ background photo album of shibuya

file shibuya 2016 03 26124083992 jpg wikimedia commons - Oct 02 2023

web jul 25 2017 a directly photographed image custom image processing normal process exposure mode auto exposure white balance auto white balance digital zoom ratio 1 focal length in 35 mm film 35 mm scene capture type standard contrast soft saturation low saturation sharpness normal lens used 35mm f2 0 date metadata

shibuya 2016 background photo album of shibuya ja pdf pdf - Jul 31 2023

web shibuya 2016 background photo album of shibuya ja pdf below shibuya 2016 background photo album of shibuya ja pdf web connections if you want to download and install the shibuya 2016 background photo album of shibuya ja pdf it is very easy then previously currently we extend the colleague to purchase and make bargains to
shibuya 2016 background photo album of shibuya ja book - Jul 19 2022

web shibuya 2016 background photo album of shibuya ja is available in our digital library an online access to it is set as public so you can download it instantly our digital library hosts in multiple locations allowing you to get the most less latency time to download any of our books like this one

shibuya 2016 background photo album of shibuya ja pdf - May 29 2023

web apr 15 2023 shibuya 2016 background photo album of shibuya ja 1 7 downloaded from uniport edu ng on april 15 2023 by guest shibuya 2016 background photo album of shibuya ja eventually you will totally discover a new experience and feat by spending more cash nevertheless when attain you give a positive response that you require to

shibuya 2016 background photo album of shibuya ja copy - Jun 29 2023

web shibuya 2016 background photo album of shibuya ja downloaded from ai classmonitor com by guest berg nathanael underground stone bridge press what would you do if your best friend lived half a world away and suddenly vanished loner grace ryan feels completely invisible awkward and shy she can t seem to get ahead in

shibuya 2016 background photo album of shibuya ja pdf - May 17 2022

web dec 6 2022 shibuya 2016 background photo album of shibuya ja 2 8 downloaded from staging friends library org on december 6 2022 by guest world war ii peace follows from a full stomach he believed day after day ando experimented night after night he failed but ando kept experimenting with persistence creativity and a little inspiration

shibuya 2016 background photo album of shibuya ja - Apr 27 2023

web shibuya 2016 background photo album of shibuya ja 2 9 downloaded from uniport edu ng on june 27 2023 by guest new territory not only attempting to produce visually striking head designs but designs that focus on functionality in the beauty of form essentials of paleomagnetism lisa tauхе 2010 03 19 this book by lisa tauхе and

shibuya 2016 background photo album of shibuya ja pdf - Jan 25 2023

web jan 17 2023 this shibuya 2016 background photo album of shibuya ja as one of the most functioning sellers here will completely be in the midst of the best options to review tatsuo suzuki friction tokyo streets 2019 02 this book embodies japanese street photography now composed of black and white photos taken throughout tokyo s

shibuya photos and premium high res pictures getty images - Mar 27 2023

web browse getty images premium collection of high quality authentic shibuya stock photos royalty free images and pictures shibuya stock photos are available in a variety of sizes and formats to fit your needs

where to download shibuya 2016 background photo album of shibuya ja - Jun 17 2022

web aug 5 2023 take aim to download and install the shibuya 2016 background photo album of shibuya ja it is extremely simple then previously currently we extend the join to buy and create bargains to download and install shibuya 2016 background photo album of shibuya ja therefore simple eventually you will definitely discover a supplementary

shibuya 2016 background photo album of shibuya japanese - Aug 20 2022

web shibuya 2016 background photo album of shibuya japanese edition by nacre shibuya 2016 background photo album of shibuya japanese edition by nacre lost translation stock photos download 79 royalty free 26 best art tatsuo shibuya images art watercolor famous pedestrian crossing stock

shibuya 2016 background photo album of shibuya ja pdf - Apr 15 2022

web this cool mini album complementary interior design 24 sleeves hold 48 photographs total photo size 4 inches by 6 inches hardcover material helps protect photos magnetic closure keeps album secure archival quality to preserve those memories my selfies cover design features images of hands with phones and repeating background hashtags

hueber hörkurs englisch sprache lernen a1 shop - Apr 26 2023

web großer hörkurs englisch pdf mp3 download sprachen lernen ohne buch bis niveau b1 isbn 978 3 19 892910 0

großer hörkurs englisch sprachen lernen ohne buch bis niveau - Aug 31 2023

web großer hörkurs englisch sprachen lernen ohne buch bis niveau b1 paket hoffmann hans g hoffmann marion isbn

9783190029105 kostenloser versand für alle bücher mit versand und verkauf durch amazon

großer hörkurs englisch sprachen lernen ohne buch bis niveau - Oct 21 2022

web großer hörkurs englisch auch als hörbuch h421022 leseheft und audio cd im paket erhältlich großer hörkurs englisch
hans g hoffmann 9783190029105 boeken bol com

grosser horkurs english sprachen lernen ohne buch pdf - Feb 10 2022

web may 5 2023 grosser horkurs english sprachen lernen ohne buch 2 8 downloaded from uniport edu ng on may 5 2023 by
guest langenscheidt ba 7 03 vorbehaltlos empfohlen werden in themen wie familie alltag freizeit etc wird ein wortschatz von
rund 800 wörtern vermittelt ab 6

englisch grundkurs englisch lernen per fernlehrgang beim ils - Jun 16 2022

web das besondere an dem fernkurs englisch grundkurs in diesem modernen und motivierenden fernlehrgang lernen sie
englische texte der alltagssprache zu lesen und zu verstehen nach absolvierung dieses multimedialen sprachkurses können
sie sich in schriftlicher form ausdrücken und sich auf englisch unterhalten

hueber hörkurs englisch sprache lernen a1 and b2 shop - Jul 30 2023

web großer hörkurs englisch pdf mp3 download sprachen lernen ohne buch bis niveau b1 isbn 978 3 19 892910 0

grosser horkurs english sprachen lernen ohne buch pdf - Apr 14 2022

web ratgeber zeigt ihnen dass nicht nur der einsatz sondern auch das lernen einer fremden sprache freude und spaß machen
kann englisch ganz leicht hörkurs für profis aug 08 2022

großer hörkurs englisch sprachen lernen ohne buch bis niveau - Jun 28 2023

web kostenlos großer hörkurs english sprachen lernen ohne buch bis niveau b1 hörbuch download kinderleicht jetzt
kostenlos downloaden

hueber e großer hörkurs englisch pdf pak shop - Mar 26 2023

web englisch lernen von grund auf am besten ohne buch das wünschen sich viele der große hörkurs englisch erfüllt diese
voraussetzung vorkenntnisse sind ebenso wenig erforderlich wie ein intensives arbeiten mit einem buch der lernstoff als mp3
download wird lediglich durch ein begleitheft unterstützt

hueber großer hörkurs reihen und lehrwerke rl shop - May 28 2023

web sprachen lernen ohne buch isbn 978 3 19 893327 5 zur produktseite 29 50 inkl steuern menge in den warenkorb
verfügbarkeit auf lager

englisch lernen und üben in online sprachkursen busuu - Aug 19 2022

web mit der busuu app wirst du teil einer community von mehr als 120 millionen muttersprachlern und kannst gemeinsam
mit ihnen englisch sprechen üben und sicherheit in unterhaltungen gewinnen zudem bietet die app online lektionen mit

aktuellen inhalten unserer partner the new york times und the economist englische grammatik und
großer hörkurs english sprachen lernen ohne buch bis niveau - Sep 19 2022

web sprachen lernen ohne buch großer hörkurs english sprachen lernen ohne buch bis die 60 besten kanäle zum sprachen lernen lerne sprachkurse hörbücher bestseller amp neuerscheinungen sprache kann man mit 100 jahren noch sprachen lernen großer hörkurs english audiobook by hans g hofmann hans g hoffmann alle hörbücher bei
großer hörkurs english audible de - Dec 23 2022

web großer hörkurs english sprachen lernen ohne buch bis niveau b1 von hans g hofmann marion hoffmann gesprochen von n n spieldauer 11 std und 46 min 3 7 357 bewertungen 0 00 kostenlos hören aktiviere das kostenlose probeabo mit der option jederzeit flexibel zu pausieren oder zu kündigen

amazon de kundenrezensionen großer hörkurs englisch sprachen lernen - Nov 21 2022

web finden sie hilfreiche kundenrezensionen und rezensionsbewertungen für großer hörkurs englisch sprachen lernen ohne buch bis niveau b1 paket auf amazon de lesen sie ehrliche und unvoreingenommene rezensionen von unseren nutzern
großer hörkurs englisch sprachen lernen ohne buch bis - Jan 24 2023

web mit diesem hörkurs könne sie ganz ohne buch englisch lernen von anfang bis zur perfektion vorkenntnisse sind nicht erforderlich das bietet ihnen dieses innovative lernsystem unterhaltsame texte praxisnahe Übungen mit lösungen deutsche erklärungen und lernhilfen sympathischer moderator wortschatztests zur

großer hörkurs english sprachen lernen ohne buch bis niveau b1 - Feb 22 2023

web großer hörkurs english sprachen lernen ohne buch bis niveau b1 hörbuch download hans g hofmann marion hoffmann n n hueber amazon de bücher

wie kann ich online englischkurse nehmen babbel - Jul 18 2022

web englisch gehört zu den meistgesprochenen sprachen weltweit zählt man die anzahl der muttersprachler und zweitsprachler zusammen kommt man auf insgesamt 1 5 milliarden sprecher wer englisch beherrscht ist in der welt zu hause bestimmt kannst du dich noch an den englischunterricht in der schule erinnern

grosser horkurs english sprachen lernen ohne buch pdf - Mar 14 2022

web grosser horkurs english sprachen lernen ohne buch that you are looking for it will totally squander the time however below bearing in mind you visit this web page it will be consequently agreed easy to get as without difficulty as download guide grosser horkurs english sprachen lernen ohne buch

grosser horkurs english sprachen lernen ohne buch - Jan 12 2022

web jun 7 2023 grosser horkurs english sprachen lernen ohne buch 1 8 downloaded from uniport edu ng on june 7 2023 by guest grosser horkurs english sprachen lernen ohne buch recognizing the showing off ways to get this ebook grosser horkurs

english sprachen lernen ohne buch is additionally useful you have remained in right site to

grosser horkurs english sprachen lernen ohne buch - May 16 2022

web pons das große hörtraining englisch grosser horkurs english sprachen lernen ohne buch downloaded from seminary fbny org by guest clinton hardy walk talk englisch hörkurs langenscheidt audio training für anfänger und fortgeschrittene niveau a1 b2 in den teilen alltag telefonieren und präsentieren werden

syllabus update cambridge igcse computer science 0478 for - Mar 18 2022

web syllabus cambridge o level computer science 2210 use this syllabus for exams in 2023 2024 and 2025 exams are available in the june and november series version 2

wbchse xii science syllabus orientation sutd edu sg - Jan 28 2023

web class xii computer science new syllabus wbchse h s exam 2021for pdf t me mukherjee academy 94

wbchse xii science syllabus orientation sutd edu sg - Nov 13 2021

web may 24 2023 wbchse class 12 study materials to help students prepare for the west bengal board class 12 exam we ve put together the wbchse class 12 study

syllabus cambridge igcse computer science 0478 - Feb 14 2022

web syllabus update cambridge igcse computer science 0478 for examination in 2020 and 2021 we have updated this syllabus the latest syllabus is version 2 published

new syllabus wbchse class xii 2023 ai classmonitor - Aug 23 2022

web new computer science syllabus wbchse xii 1 new computer science syllabus wbchse xii lakhmir singh s science for class 6 computer fundamentals

wbchse syllabus 2023 24 pdf download all subjects - Aug 03 2023

web new computer science syllabus wbchse xii pdf introduction new computer science syllabus wbchse xii pdf 2023 computer science rupa pandit 2022 02 23

curriculum syllabus west bengal council of higher - Jul 02 2023

web oct 21 2023 students preparing for west bengal higher secondary exams 2024 can download the west bengal 12th syllabus 2023 24 along with west bengal hs exam

new computer science syllabus wbchse xii pdf 2023 - Sep 04 2023

the key details of this curriculum are as follows if you have any queries on wbchse class 12 computer science syllabus 2023 then see more

wbchse class 12 computer application syllabus 2023 pdf - Jan 16 2022

web cambridge igcse computer science 0478 syllabus for 2022 syllabus overview 6 cambridgeinternational orgigcse back to

contents page content overview sections

new computer science syllabus wbchse xii copy ai classmonitor - Sep 23 2022

web new computer science syllabus wbchse xii best textbook of internet programming dec 15 2021 this book has been written for be b tech students of all university with

wbchse class 12 computer science syllabus 2023 pdf - Oct 05 2023

in addition to computer science syllabus you can check the wbchse syllabus for all subjects of class 12 as follows 1

accountancy 2 agronomy 3 anthropology 4 arabic 5 bengali 6 biological sciences 7 business studies 8 chemistry 9 commercial law and preliminaries of auditing 10 computer see more

wbchse class 12 west bengal board 12th study materials - Dec 15 2021

web feb 22 2023 in 12th class wbchse class 12 computer application syllabus 2023 contains the topics to study in 12th class in computer application subject you can now

west bengal board wbchse class 12 syllabus 2022 - Jun 01 2023

web explore more subjects students higher secondary syllabus part i higher secondary syllabus part ii higher secondary syllabus part iii

wbchse xii science syllabus orientation sutd edu sg - Dec 27 2022

web of higher secondary education cbse computer science syllabus for class xii computer wbchse model question papers 2019 west bengal 12th wbchse hs

syllabus cambridge o level computer science 2210 - Apr 18 2022

web sep 19 2023 gls university ahmedabad cutoff for jee main in 2022 for b tech computer science engineering was 26249 rank however gls university admission to

download free new computer science syllabus wbchse xii - Nov 25 2022

web wbchse syllabus 2018 bengali english commerce class xi cbse computer science syllabus for class xii computer syllabus for xii biology2015under wbchse kleru26

computer science syllabus subjects 2023 semester wise - May 20 2022

web may 11 2021 download now and prepare for the upcoming cbse class 12 computer science board exam cbse class 12 syllabus 2021 22 new released for cbse

cbse class 12 computer science syllabus 2021 22 new - Jun 20 2022

web rather than enjoying a fine book with a mug of coffee in the afternoon otherwise they juggled afterward some harmful virus inside their computer new computer science

new computer science syllabus wbchse xii langston hughes - Jul 22 2022

web written in accordance with cbse syllabus for board examination to be held in 2009 and 2010 this textbook is a sequel to the textbook of computer science for class xi it is

new computer science syllabus wbchse xii book - Oct 25 2022

web new computer science syllabus wbchse xii basic electronics math mar 12 2022 most students entering an electronics technician program have an understanding of mathematics

wbchse class 12th syllabus 2024 download syllabus - Apr 30 2023

web the wbchse revises and updates the class 12 syllabus regularly to improve the quality of education the board revised the syllabus for class 12 for the 2022 23 exams and the

updated new question pattern hs 2023 class xii computer - Mar 30 2023

web august 4 2023 0 31608 wbchse class 12th syllabus 2024 will be released by the west bengal council of higher secondary education for all subjects of arts commerce and

class xii computer science new syllabus wbchse hs 2022 - Feb 26 2023

web jan 5 2023 updated new question pattern hs 2023 class xii computer application wbchsenotification link wbchse nic in notification note23092022 pdfsyllabus