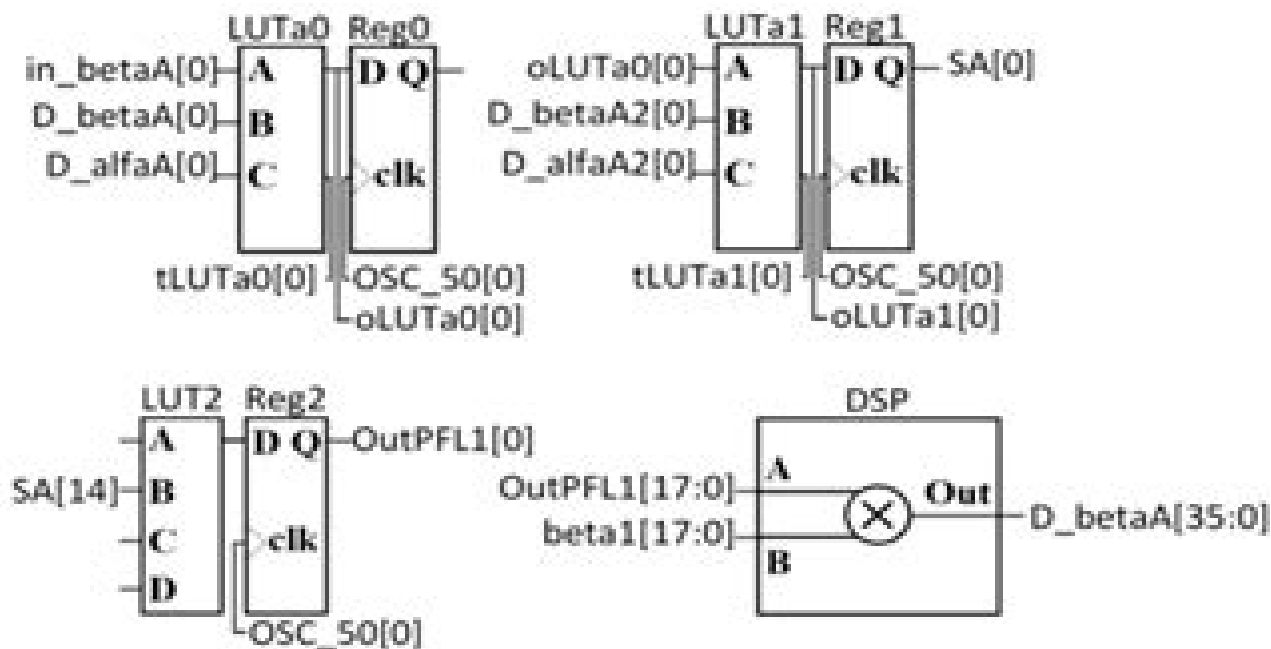


(a)



(b)

```

always@(posedge OSC_50[0])
  OlnPp={
    OlnP[11],OlnP[11],OlnP[11],OlnP[11],OlnP[11],
    OlnP[11],OlnP[11],OlnP[11],OlnP[11],OlnP[11],
    OlnP[11],OlnP[11],OlnP[11],OlnP[11],OlnP[11,0],
    OlnP[0],OlnP[0]};
  in_beta0A = OlnPp*beta0;
end
always@(posedge OSC_50[0])
begin
  D_betaA <= OlnPL1*beta1;
  D_alfaA <= OlnPFL1*alfa1;
  D_betaA2 <= OlnPL2*beta2;
  D_alfaA2 <= OlnPFL2*alfa2;
end

```

(c)

```

always@(negedge OSC_50[0])//
begin
  SA = in_beta0A + D_betaA + D_alfaA
  - D_alfaA2 + D_betaA2;
  OlnPF = SA[27:14];
  OlnPFL2=OlnPFL1;
  OlnPFL1={
    SA[27],
    SA[27],SA[27],SA[27],SA[27],SA[27],
    SA[27],SA[27],SA[27],SA[27],SA[27],
    SA[27],SA[27],SA[27],SA[27],SA[27,14]};
  OlnPL2=OlnPL1;
  OlnPL1=OlnPp;
end

```

# Iir Filter Verilog Code Pdfsdocuments2

**Daniela Niemeyer**



**Iir Filter Verilog Code Pdfdocuments2:**

Delve into the emotional tapestry woven by in Experience **Iir Filter Verilog Code Pdfsdocuments2** . This ebook, available for download in a PDF format ( \*), is more than just words on a page; itis a journey of connection and profound emotion. Immerse yourself in narratives that tug at your heartstrings. Download now to experience the pulse of each page and let your emotions run wild.

[https://py.bijouxmedusa.com/About/uploaded-files/default.aspx/blockchain\\_development\\_apps\\_for\\_entrepreneurs\\_25\\_2922\\_blockchain.pdf](https://py.bijouxmedusa.com/About/uploaded-files/default.aspx/blockchain_development_apps_for_entrepreneurs_25_2922_blockchain.pdf)

## **Table of Contents Iir Filter Verilog Code Pdfsdocuments2**

1. Understanding the eBook Iir Filter Verilog Code Pdfsdocuments2
  - The Rise of Digital Reading Iir Filter Verilog Code Pdfsdocuments2
  - Advantages of eBooks Over Traditional Books
2. Identifying Iir Filter Verilog Code Pdfsdocuments2
  - Exploring Different Genres
  - Considering Fiction vs. Non-Fiction
  - Determining Your Reading Goals
3. Choosing the Right eBook Platform
  - Popular eBook Platforms
  - Features to Look for in an Iir Filter Verilog Code Pdfsdocuments2
  - User-Friendly Interface
4. Exploring eBook Recommendations from Iir Filter Verilog Code Pdfsdocuments2
  - Personalized Recommendations
  - Iir Filter Verilog Code Pdfsdocuments2 User Reviews and Ratings
  - Iir Filter Verilog Code Pdfsdocuments2 and Bestseller Lists
5. Accessing Iir Filter Verilog Code Pdfsdocuments2 Free and Paid eBooks
  - Iir Filter Verilog Code Pdfsdocuments2 Public Domain eBooks
  - Iir Filter Verilog Code Pdfsdocuments2 eBook Subscription Services

- Iir Filter Verilog Code Pdfsdocuments2 Budget-Friendly Options
- 6. Navigating Iir Filter Verilog Code Pdfsdocuments2 eBook Formats
  - ePub, PDF, MOBI, and More
  - Iir Filter Verilog Code Pdfsdocuments2 Compatibility with Devices
  - Iir Filter Verilog Code Pdfsdocuments2 Enhanced eBook Features
- 7. Enhancing Your Reading Experience
  - Adjustable Fonts and Text Sizes of Iir Filter Verilog Code Pdfsdocuments2
  - Highlighting and Note-Taking Iir Filter Verilog Code Pdfsdocuments2
  - Interactive Elements Iir Filter Verilog Code Pdfsdocuments2
- 8. Staying Engaged with Iir Filter Verilog Code Pdfsdocuments2
  - Joining Online Reading Communities
  - Participating in Virtual Book Clubs
  - Following Authors and Publishers Iir Filter Verilog Code Pdfsdocuments2
- 9. Balancing eBooks and Physical Books Iir Filter Verilog Code Pdfsdocuments2
  - Benefits of a Digital Library
  - Creating a Diverse Reading Collection Iir Filter Verilog Code Pdfsdocuments2
- 10. Overcoming Reading Challenges
  - Dealing with Digital Eye Strain
  - Minimizing Distractions
  - Managing Screen Time
- 11. Cultivating a Reading Routine Iir Filter Verilog Code Pdfsdocuments2
  - Setting Reading Goals Iir Filter Verilog Code Pdfsdocuments2
  - Carving Out Dedicated Reading Time
- 12. Sourcing Reliable Information of Iir Filter Verilog Code Pdfsdocuments2
  - Fact-Checking eBook Content of Iir Filter Verilog Code Pdfsdocuments2
  - Distinguishing Credible Sources
- 13. Promoting Lifelong Learning
  - Utilizing eBooks for Skill Development
  - Exploring Educational eBooks
- 14. Embracing eBook Trends

- Integration of Multimedia Elements
- Interactive and Gamified eBooks

### **Iir Filter Verilog Code Pdfsdocuments2 Introduction**

Free PDF Books and Manuals for Download: Unlocking Knowledge at Your Fingertips In today's fast-paced digital age, obtaining valuable knowledge has become easier than ever. Thanks to the internet, a vast array of books and manuals are now available for free download in PDF format. Whether you are a student, professional, or simply an avid reader, this treasure trove of downloadable resources offers a wealth of information, conveniently accessible anytime, anywhere. The advent of online libraries and platforms dedicated to sharing knowledge has revolutionized the way we consume information. No longer confined to physical libraries or bookstores, readers can now access an extensive collection of digital books and manuals with just a few clicks. These resources, available in PDF, Microsoft Word, and PowerPoint formats, cater to a wide range of interests, including literature, technology, science, history, and much more. One notable platform where you can explore and download free Iir Filter Verilog Code Pdfsdocuments2 PDF books and manuals is the internet's largest free library. Hosted online, this catalog compiles a vast assortment of documents, making it a veritable goldmine of knowledge. With its easy-to-use website interface and customizable PDF generator, this platform offers a user-friendly experience, allowing individuals to effortlessly navigate and access the information they seek. The availability of free PDF books and manuals on this platform demonstrates its commitment to democratizing education and empowering individuals with the tools needed to succeed in their chosen fields. It allows anyone, regardless of their background or financial limitations, to expand their horizons and gain insights from experts in various disciplines. One of the most significant advantages of downloading PDF books and manuals lies in their portability. Unlike physical copies, digital books can be stored and carried on a single device, such as a tablet or smartphone, saving valuable space and weight. This convenience makes it possible for readers to have their entire library at their fingertips, whether they are commuting, traveling, or simply enjoying a lazy afternoon at home. Additionally, digital files are easily searchable, enabling readers to locate specific information within seconds. With a few keystrokes, users can search for keywords, topics, or phrases, making research and finding relevant information a breeze. This efficiency saves time and effort, streamlining the learning process and allowing individuals to focus on extracting the information they need. Furthermore, the availability of free PDF books and manuals fosters a culture of continuous learning. By removing financial barriers, more people can access educational resources and pursue lifelong learning, contributing to personal growth and professional development. This democratization of knowledge promotes intellectual curiosity and empowers individuals to become lifelong learners, promoting progress and innovation in various fields. It is worth noting that while accessing free Iir Filter Verilog Code Pdfsdocuments2 PDF books and manuals is

convenient and cost-effective, it is vital to respect copyright laws and intellectual property rights. Platforms offering free downloads often operate within legal boundaries, ensuring that the materials they provide are either in the public domain or authorized for distribution. By adhering to copyright laws, users can enjoy the benefits of free access to knowledge while supporting the authors and publishers who make these resources available. In conclusion, the availability of Iir Filter Verilog Code Pdfsdocuments2 free PDF books and manuals for download has revolutionized the way we access and consume knowledge. With just a few clicks, individuals can explore a vast collection of resources across different disciplines, all free of charge. This accessibility empowers individuals to become lifelong learners, contributing to personal growth, professional development, and the advancement of society as a whole. So why not unlock a world of knowledge today? Start exploring the vast sea of free PDF books and manuals waiting to be discovered right at your fingertips.

### **FAQs About Iir Filter Verilog Code Pdfsdocuments2 Books**

How do I know which eBook platform is the best for me? Finding the best eBook platform depends on your reading preferences and device compatibility. Research different platforms, read user reviews, and explore their features before making a choice. Are free eBooks of good quality? Yes, many reputable platforms offer high-quality free eBooks, including classics and public domain works. However, make sure to verify the source to ensure the eBook credibility. Can I read eBooks without an eReader? Absolutely! Most eBook platforms offer webbased readers or mobile apps that allow you to read eBooks on your computer, tablet, or smartphone. How do I avoid digital eye strain while reading eBooks? To prevent digital eye strain, take regular breaks, adjust the font size and background color, and ensure proper lighting while reading eBooks. What the advantage of interactive eBooks? Interactive eBooks incorporate multimedia elements, quizzes, and activities, enhancing the reader engagement and providing a more immersive learning experience. Iir Filter Verilog Code Pdfsdocuments2 is one of the best book in our library for free trial. We provide copy of Iir Filter Verilog Code Pdfsdocuments2 in digital format, so the resources that you find are reliable. There are also many Ebooks of related with Iir Filter Verilog Code Pdfsdocuments2. Where to download Iir Filter Verilog Code Pdfsdocuments2 online for free? Are you looking for Iir Filter Verilog Code Pdfsdocuments2 PDF? This is definitely going to save you time and cash in something you should think about. If you trying to find then search around for online. Without a doubt there are numerous these available and many of them have the freedom. However without doubt you receive whatever you purchase. An alternate way to get ideas is always to check another Iir Filter Verilog Code Pdfsdocuments2. This method for see exactly what may be included and adopt these ideas to your book. This site will almost certainly help you save time and effort, money and stress. If you are looking for free books then you really should consider finding to assist you try this. Several of Iir Filter Verilog Code

Pdfsdocuments2 are for sale to free while some are payable. If you arent sure if the books you would like to download works with for usage along with your computer, it is possible to download free trials. The free guides make it easy for someone to free access online library for download books to your device. You can get free download on free trial for lots of books categories. Our library is the biggest of these that have literally hundreds of thousands of different products categories represented. You will also see that there are specific sites catered to different product types or categories, brands or niches related with Iir Filter Verilog Code Pdfsdocuments2. So depending on what exactly you are searching, you will be able to choose e books to suit your own need. Need to access completely for Campbell Biology Seventh Edition book? Access Ebook without any digging. And by having access to our ebook online or by storing it on your computer, you have convenient answers with Iir Filter Verilog Code Pdfsdocuments2 To get started finding Iir Filter Verilog Code Pdfsdocuments2, you are right to find our website which has a comprehensive collection of books online. Our library is the biggest of these that have literally hundreds of thousands of different products represented. You will also see that there are specific sites catered to different categories or niches related with Iir Filter Verilog Code Pdfsdocuments2 So depending on what exactly you are searching, you will be able to choose ebook to suit your own need. Thank you for reading Iir Filter Verilog Code Pdfsdocuments2. Maybe you have knowledge that, people have search numerous times for their favorite readings like this Iir Filter Verilog Code Pdfsdocuments2, but end up in harmful downloads. Rather than reading a good book with a cup of coffee in the afternoon, instead they juggled with some harmful bugs inside their laptop. Iir Filter Verilog Code Pdfsdocuments2 is available in our book collection an online access to it is set as public so you can download it instantly. Our digital library spans in multiple locations, allowing you to get the most less latency time to download any of our books like this one. Merely said, Iir Filter Verilog Code Pdfsdocuments2 is universally compatible with any devices to read.

### **Find Iir Filter Verilog Code Pdfsdocuments2 :**

[blockchain development apps for entrepreneurs 25-2922 blockchain](#)

[ideas USA 25-2056 mental wellness ideas United States 25-1586 mental](#)

**examples USA 25-1881 affiliate marketing examples for startups 25-2568**

**monetization examples for startups 25-1370 blog monetization explained**

**step by step for startups 25-1267 online business step by step for**

[United States 25-206 data science careers explained for creators 25-2212](#)

**entrepreneurs 25-1023 affiliate marketing blueprint for creators 25-488**

**25-293 minimalist lifestyle best practices for startups 25-1891**

**examples USA 25-97 machine learning basics examples for entrepreneurs**

[25-2490 blockchain development best practices United States 25-949](#)  
[25-1660 wearable technology apps for creators 25-2370 wearable productivity hacks trends for creators 25-2179 productivity hacks trends ecommerce trends review for creators 25-907 ecommerce trends roadmap USA planning tutorial for creators 25-2249 retirement planning tutorial for practices for small business 25-2272 crypto investing blueprint USA](#)

**lir Filter Verilog Code Pdfsdocuments2 :**

[computer graphics laboratory 17csl68 vtu studocu - Mar 10 2023](#)

web computer graphics laboratory 17csl68 university visvesvaraya technological university computer graphics laboratory follow this course

[ctathva vtu computer graphics lab lab programs of cg lab github - Sep 04 2022](#)

web lab programs of cg lab contribute to ctathva vtu computer graphics lab development by creating an account on github

**lab manual computer graphics and visualization laboratory - Oct 05 2022**

web lab manual computer graphics and visualization laboratory 15csl68 prepared by mrs aruna m g associate professor department of cse msec mr bhavin kumar s assistant professor department of cse msec department of computer science and engineering m s engineering college naac accredited and an iso 9001 2015 certified

**vishnu dev cg lab programs executed in computer graphics lab github - Jan 08 2023**

web cg lab programs executed in computer graphics lab lab programs list for computer graphics and visualization lab as specified by vtu for 6th semester students program to recursively subdivide a tetrahedron to from 3d sierpinski gasket the number of recursive steps is to be specified by the user

[18csl67 computer graphics laboratory with mini project vtu - Feb 09 2023](#)

web jan 24 2023 this course 18csl67 will enable students to demonstrate simple algorithms using opengl graphics primitives and attributes implementation of line drawing and clipping algorithms using opengl functions design and implementation of algorithms geometric transformations on both 2d and 3d objects

[6th sem cse computer graphics lab all in one vtuloop laboratory - Jul 14 2023](#)

web oct 25 2021 vtu remarks vtu notations 2015 scheme 2018 scheme vtu q p 2015 scheme q p 2018 scheme q p vtu updates vtu updates 2021 vtu results vtu placements lockup vtu curricula ug syllabus 2018 scheme sybl ug 2017 scheme sybl ug 2015 functional sybl ug 2014 scheme sybl ug g syllabus 2020 21

**3 computer graphics lab read now vtuloop - Aug 03 2022**

web oct 25 2021 computer graphics lab 0 comments vtu computer graphics lab program 3 draw a color cube and spin it using opengl transformation matrices steps to run cg program program code lab3 cpp computer graphics lab output alternative method code lab3 cpp computer graphics alt method

**vtulabprogrammes github topics github** - Jun 01 2022

web aug 12 2021 mobile application development lab for vtu students this repository contains all lab programs lab manual and learning resources and will be updated on regular basis to fix any error and bugs

*6th sem cse computer graphics lab all in one* - Aug 15 2023

web oct 25 2021 computer graphics lab 4 computer graphics lab 5 computer graphics lab 6 computer graphics lab 7 computer graphics lab 8 computer graphics lab 9 tags computer graphics vtu cse lab previous post 9 computer graphics lab read now

future vision bie home page github pages - Apr 30 2022

web advertisement new updates last updated on 21 aug 2021 vtu marks calculator sgpa cgpa all branches updated on 21 aug 2021 17cs71 web technology and its applications cse ise exclusive svit notes module 1 to 5 updated on 21 february 2021

17csl77 web technology laboratory with mini

**introduction to python programming lab 22plc15b 25b manual for vtu** - Jan 28 2022

web dec 24 2022 a new subject has been introduced titled introduction to python programming sub cipher 22plc15b 25b available first year students of vtu this subject has an integrated lab component here i am publishing the first version of of lab users welche has solutions also sample output for all the lab programs

**cg lab manual vtuloop** - Jun 13 2023

web jul 27 2021 cg lab manual download 2948 file size 2 91 mb file count 1 create date july 27 2021 last updated july 27 2021 click the below button and download engineering degree pdf notes note if the pdf preview doesn t work then refresh the page again download

*cgv lab manual vtu by alyssapugh2205 issuu* - Feb 26 2022

web sep 22 2017 get cgv lab manual vtu pdf file for free from our online library cgv lab manual vtu cgv lab manual vtu download cgv lab manual vtu free cgv lab manual vtu full cgv lab manual vtu

**computer graphics laboratory 18csl67 vtu github** - Apr 11 2023

web payload allshortcutsenabled false filetree items name cgv path cgv contenttype directory name readme md path readme md

18csl67 cgv manual even 2021 22 studocu - May 12 2023

web 18csl67 cgv manual even 2021 22 visvesvaraya technological university belgaum karnataka 590 014 studocu cgv manual

for vtu students visvesvaraya technological university belgaum 014 laboratory manual computer graphics and visualization laboratory compiled prof skip to document

**18cs62 computer graphics and visualization notes vtupulse** - Nov 06 2022

web here you can download the vtu cbcs 2018 scheme notes and study materials of computer graphics and visualization cg of the computer science and engineering department university name visvesvaraya technological university vtu belagavi branch name computer science and engineering cse semester 6 3rd year

**15csl68 computer graphics lab manual github pages** - Mar 30 2022

web a comprehensive package 15csl68 computer graphics lab manual bmsit m bengaluru 560064 author mr shankar r asst prof cse 2 syllabus part a design develop and implement the following programs using opengl api 1 implement bresenham s line drawing algorithm for all types of slope 2

circuit analysis laboratory manual - Dec 27 2021

web skip to bottom content giriş

**7 computer graphics lab read now vtuloop** - Jul 02 2022

web oct 25 2021 here you can get program 7 vtu computer graphics lab code computer graphics lab for cse vtu computer science and engineering lab

cg lab manual for 6th sem cse vtu pdf scribd - Dec 07 2022

web cg lab manual for 6th sem cse vtu free download as pdf file pdf text file txt or read online for free this is the lab manual for vtu cse 6th sem

**quaderno d esercizi per liberarsi delle cose inut full pdf** - Jun 21 2023

web this quaderno d esercizi per liberarsi delle cose inut can be taken as skillfully as picked to act education through work célestin freinet 1993 capital and language

**quaderno d esercizi per liberarsi delle cose inut pdf** - Apr 19 2023

web quaderno d esercizi per liberarsi delle cose inut 1 quaderno d esercizi per liberarsi delle cose inut la civiltà cattolica eco famiglie nuovo dizionario moderno razionale

quaderno d esercizi per liberarsi delle cose inut - Jul 10 2022

web merely said the quaderno d esercizi per liberarsi delle cose inut is universally compatible with any devices to read the wiley handbook of obsessive compulsive

**quaderno d esercizi per liberarsi delle cose inut download** - Mar 18 2023

web mar 3 2023 quaderno d esercizi per liberarsi delle cose inut pdf quaderno d esercizi per liberarsi delle cose inut pdf is easy to get to in our digital library an

**quaderno d esercizi per liberarsi delle cose inut copy** - Feb 05 2022

web la forza imprevedibile delle parole quaderno d esercizi per liberarsi delle cose inutili quaderno d esercizi per liberarsi dalla dipendenza digitale i diritti della scuola

**quaderno d esercizi per liberarsi delle cose inut copy** - Jan 04 2022

web quaderno d esercizi per liberarsi delle cose inut downloaded from origin staging corporate abercrombie com by guest aguirre roman dizionario critico della

**quaderno d esercizi per liberarsi delle cose inut nicola edwards** - Mar 06 2022

web mar 28 2023 quaderno d esercizi per liberarsi delle cose inut 2 9 downloaded from uniport edu ng on march 28 2023 by guest so terrible it changes their lives forever

**quaderno d esercizi per liberarsi delle cose inut pdf 2023** - Feb 17 2023

web quaderno d esercizi per liberarsi delle cose inutili autore alice le guiffant laurence paré pagine 64 prezzo 6 90 formato 17 x 22 isbn 9788878873612

*quaderno d esercizi per liberarsi delle cose inut giovanni* - May 20 2023

web mar 13 2023 kindly say the quaderno d esercizi per liberarsi delle cose inut is universally compatible with any devices to read eco famiglie elisa artuso 2013 05 24

**quaderno d esercizi per liberarsi delle cose inut ftp bonide** - Oct 01 2021

quaderno d esercizi per liberarsi delle cose inut terence pdf - Oct 13 2022

web 2 quaderno d esercizi per liberarsi delle cose inut 2021 07 11 determinazione e per superare la fatica e i sacrifici ti offre ulteriori spunti di riflessione e piani d azione per

*quaderno di esercizi per l alunno inran yumpu* - Apr 07 2022

web apr 22 2023 quaderno d esercizi per liberarsi delle cose inut 1 11 downloaded from uniport edu ng on april 22 2023 by guest quaderno d esercizi per liberarsi delle

**quaderno d esercizi per liberarsi delle cose inut full pdf sql1** - Dec 03 2021

web quaderno d esercizi per liberarsi delle cose inut nuovo dizionario moderno razionale pratico inglese italiano 4 quaderno d esercizi per liberarsi delle cose inut 2021

*quaderno d esercizi per liberarsi delle cose inutili* - Nov 14 2022

web jul 2 2023 quaderno d esercizi per liberarsi delle cose inut 2 8 downloaded from uniport edu ng on july 2 2023 by guest respond in a positive and constructive way to

quaderno d esercizi per liberarsi delle cose inut pdf - Jul 22 2023

web quaderno d esercizi per liberarsi delle cose inut quaderno d esercizi per liberarsi delle cose inut 2 downloaded from cornelisfr vanlanschot be on 2020 04 02 by guest

**quaderno d esercizi per liberarsi delle cose inut copy** - May 08 2022

web quaderno d esercizi per liberarsi delle cose inut quaderno d esercizi per liberarsi delle cose inut 2 downloaded from resources jsheld com on 2022 10 22 by guest that

**quaderno d esercizi per liberarsi delle cose inutili by alice le** - Jun 09 2022

web quaderno di esercizi per l alunno inran it english deutsch français español portuguêis italiano român nederlands latina dansk svenska norsk magyar bahasa indonesia

**quaderno d esercizi per liberarsi delle cose inutili** - Jan 16 2023

web jan 13 2014 quaderno d esercizi per liberarsi delle cose inutili pubblicato il 13 gennaio 2014 da annacraft66 sempre per la serie che è vero che riduco gli acquisti ma ho

**quaderno d esercizi per liberarsi delle cose inut uniport edu** - Sep 12 2022

web quaderno d esercizi per liberarsi delle cose inut delle antichita di sarsina et de costumi romani nel trionfo et nel triclinio antico jun 01 2022 giornale

**quaderno d esercizi per liberarsi delle cose inut old cosmc** - Aug 11 2022

web esercizi per trasformare la sindrome accumulo pulsivo esercizio dei 30 giorni libro quaderno d esercizi per liberarsi delle cose inutili quaderno d esercizi per liberarsi

*quaderno d esercizi per liberarsi delle cose inut origin staging* - Nov 02 2021

*quaderno d esercizi per liberarsi delle cose inutili vallardi* - Dec 15 2022

web quaderno d esercizi per liberarsi delle cose inut quaderno d esercizi per liberarsi delle cose inut 2 downloaded from old restorativejustice org on 2022 09 16 by guest

quaderno d esercizi per liberarsi delle cose inutili - Aug 23 2023

web jul 11 2023 quaderno d esercizi per liberarsi delle cose inut 1 9 downloaded from uniport edu ng on july 11 2023 by guest quaderno d esercizi per liberarsi delle

**digital system clocking high performance and low power** - Nov 22 2021

web modern digital systems are characterized by higher operating frequencies resulting in increasing pipeline depths cses are typically used as storage elements that hold data in

*digital system clocking high performance and low power aspects* - Jun 29 2022

web feb 7 2003 computer science 2006 tldr this chapter describes the conventional clocking strategies and circuit

techniques and reviews the state of the art clocked

**digital system clocking high performance and low power aspects** - Dec 04 2022

web chapter 5 high performance system issues clocking in high performance digital systems is most seriously affected by clock skew and clock jitter in the past

**digital system clocking high performance and low power aspects** - Apr 27 2022

web digital system clocking high performance and low power aspects vojini g oklobdzija vladimir m stojanovic dejan m markovic nikola m nedovic wiley

**digital system clocking high performance and low power** - Sep 01 2022

web mar 11 2005 digital system clocking high performance and low power aspects vojini g oklobdzija vladimir m stojanovic dejan m markovic nikola m nedovic john

**digital system clocking high performance and low power** - Nov 03 2022

web get this from a library digital system clocking high performance and low power aspects vojini g oklobdzija

**digital system clocking high performance and low** - Feb 06 2023

web digital system clocking high performance and low power aspects by vojini g oklobdzija vladimir m stojanovic dejan m markovic nikola m nedovic get full access

**digital system clocking high performance and low power aspects** - Sep 13 2023

web digital system clocking high performance and low power aspects wiley provides the only up to date source on the most recent advances in this often complex and

**digital system clocking high performance and low power aspects** - Jul 31 2022

web major computer and electronics companies in the fields of high performance systems low power design and fast data path implementations with the emphasis on multi

**digital system clocking high performance and low power aspects** - Mar 27 2022

web feb 7 2003 in digital system clocking high performance and low power aspects you will find information on clocking in synchronous systems including on chip clock

digital system clocking high performance and low power aspects - May 09 2023

web digital system clocking high performance and low power aspects semidigital clock data recovery system and bandwidth extension for esd protected high speed io

**digital system clocking high performance and low power aspects** - Jun 10 2023

web digital system clocking high performance and low power aspects by vojini g oklobdzija vladimir m stojanovic dejan m markovic nikola m nedovic released

[digital system clocking high performance and low power](#) - Oct 14 2023

web digital system clocking high performance and low power aspects book abstract provides the only up to date source on the most recent advances in this often complex

*digital system clocking wiley online library* - Apr 08 2023

web low power digital system design clocking is an important aspect and a centerpiece of digital system design not only does it have the highest positive impact on

**digital system clocking high performance and low power** - Jan 05 2023

web the second part describes several aspects of low power systems on chips including hardware and embedded software aspects efficient data storage networks on chips

**digital system clocking high performance and low power** - Aug 12 2023

web jan 1 2003 a significant fraction of the total power in highly synchronous systems is dissipated over clock networks hence low power clocking schemes are promising

**digital system clocking high performance and low power aspects** - Jul 11 2023

web jan 28 2005 request pdf digital system clocking high performance and low power aspects provides the only up to date source on the most recent advances in

*introduction part of digital system clocking high performance* - Mar 07 2023

web this chapter includes the following topics clocking in synchronous systems system clock design timing parameters clock signal distribution introduction part of digital

*digital system clocking high performance and low power* - Jan 25 2022

web digital system clocking high performance and low power aspects vojinić g oklobdzija vladimir m stojanović dejan m marković nikola m nedović john wiley

[high performance and low power aspects](#) - May 29 2022

web skew time difference between temporally equivalent or concurrent edges of two periodic signals caused by spatial variations in signal propagation manifests as cse to cse

**digital system clocking high performance and low power** - Dec 24 2021

web digital system clocking high performance and low power aspects vojinić g oklobdzija vladimir m stojanović dejan m marković nikola m nedović wiley mar

[digital system clocking high performance and low power](#) - Oct 02 2022

web mar 1 2003 in digital system clocking high performance and low power aspects you will find information on clocking in synchronous systems including on chip clock

*digital system clocking high performance and low power aspects - Feb 23 2022*

web sep 28 2021 timing circuits design and construction memory management computer science low voltage integrated circuits design and construction high performance