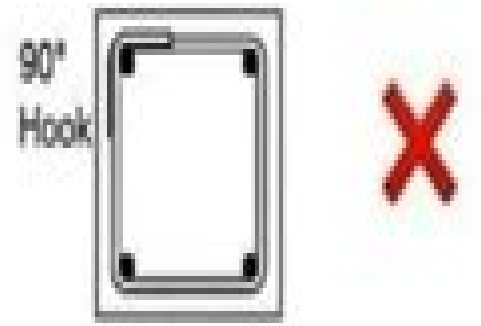
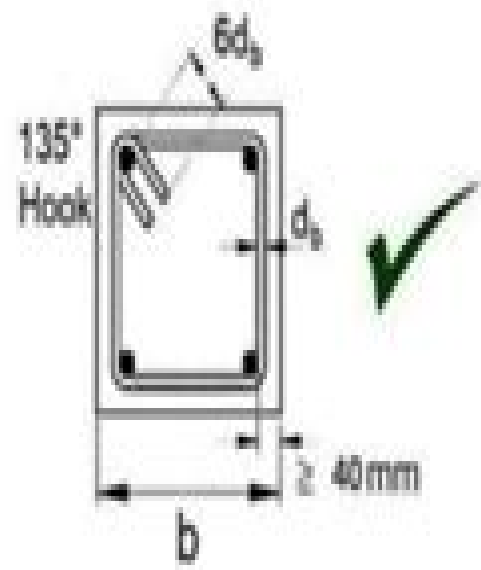
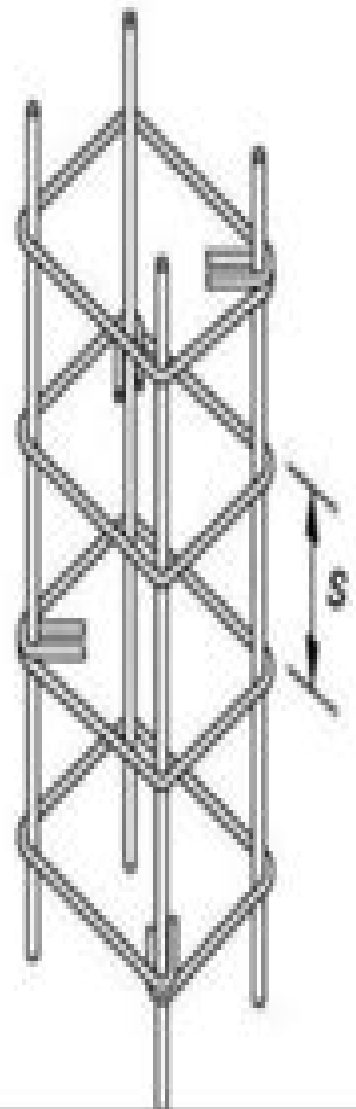
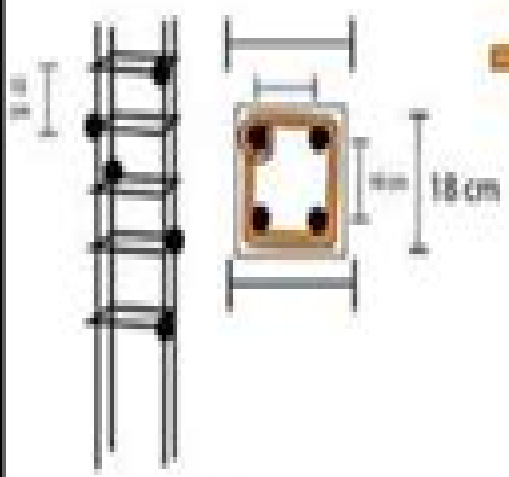


Civil Engineering Basic Knowledge - Formulas

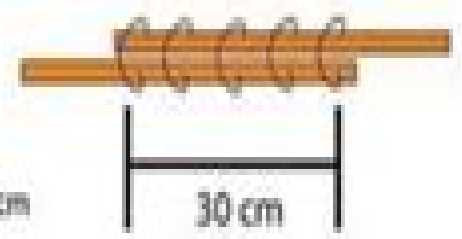
Basic Formulas | Interview Question and Answers | Site Knowledge | QS Knowledge



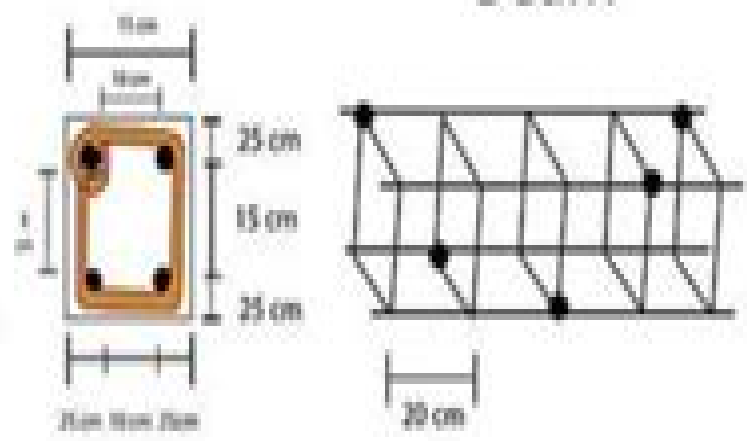
Column



Overlap



Beam



Civil Engineering Basic Knowledge

Chao Zhang



Civil Engineering Basic Knowledge:

Getting the books **Civil Engineering Basic Knowledge** now is not type of challenging means. You could not unaided going like book gathering or library or borrowing from your associates to gate them. This is an totally easy means to specifically get guide by on-line. This online broadcast Civil Engineering Basic Knowledge can be one of the options to accompany you considering having further time.

It will not waste your time. take on me, the e-book will utterly tell you further event to read. Just invest little period to right of entry this on-line publication **Civil Engineering Basic Knowledge** as skillfully as review them wherever you are now.

https://py.bijouxmedusa.com/public/virtual-library/Download_PDFS/reparing_geometry_with_spaceclaim.pdf

Table of Contents Civil Engineering Basic Knowledge

1. Understanding the eBook Civil Engineering Basic Knowledge
 - The Rise of Digital Reading Civil Engineering Basic Knowledge
 - Advantages of eBooks Over Traditional Books
2. Identifying Civil Engineering Basic Knowledge
 - Exploring Different Genres
 - Considering Fiction vs. Non-Fiction
 - Determining Your Reading Goals
3. Choosing the Right eBook Platform
 - Popular eBook Platforms
 - Features to Look for in an Civil Engineering Basic Knowledge
 - User-Friendly Interface
4. Exploring eBook Recommendations from Civil Engineering Basic Knowledge
 - Personalized Recommendations
 - Civil Engineering Basic Knowledge User Reviews and Ratings
 - Civil Engineering Basic Knowledge and Bestseller Lists
5. Accessing Civil Engineering Basic Knowledge Free and Paid eBooks

- Civil Engineering Basic Knowledge Public Domain eBooks
 - Civil Engineering Basic Knowledge eBook Subscription Services
 - Civil Engineering Basic Knowledge Budget-Friendly Options
6. Navigating Civil Engineering Basic Knowledge eBook Formats
 - ePub, PDF, MOBI, and More
 - Civil Engineering Basic Knowledge Compatibility with Devices
 - Civil Engineering Basic Knowledge Enhanced eBook Features
 7. Enhancing Your Reading Experience
 - Adjustable Fonts and Text Sizes of Civil Engineering Basic Knowledge
 - Highlighting and Note-Taking Civil Engineering Basic Knowledge
 - Interactive Elements Civil Engineering Basic Knowledge
 8. Staying Engaged with Civil Engineering Basic Knowledge
 - Joining Online Reading Communities
 - Participating in Virtual Book Clubs
 - Following Authors and Publishers Civil Engineering Basic Knowledge
 9. Balancing eBooks and Physical Books Civil Engineering Basic Knowledge
 - Benefits of a Digital Library
 - Creating a Diverse Reading Collection Civil Engineering Basic Knowledge
 10. Overcoming Reading Challenges
 - Dealing with Digital Eye Strain
 - Minimizing Distractions
 - Managing Screen Time
 11. Cultivating a Reading Routine Civil Engineering Basic Knowledge
 - Setting Reading Goals Civil Engineering Basic Knowledge
 - Carving Out Dedicated Reading Time
 12. Sourcing Reliable Information of Civil Engineering Basic Knowledge
 - Fact-Checking eBook Content of Civil Engineering Basic Knowledge
 - Distinguishing Credible Sources
 13. Promoting Lifelong Learning
 - Utilizing eBooks for Skill Development

- Exploring Educational eBooks
14. Embracing eBook Trends
- Integration of Multimedia Elements
 - Interactive and Gamified eBooks

Civil Engineering Basic Knowledge Introduction

In this digital age, the convenience of accessing information at our fingertips has become a necessity. Whether its research papers, eBooks, or user manuals, PDF files have become the preferred format for sharing and reading documents. However, the cost associated with purchasing PDF files can sometimes be a barrier for many individuals and organizations. Thankfully, there are numerous websites and platforms that allow users to download free PDF files legally. In this article, we will explore some of the best platforms to download free PDFs. One of the most popular platforms to download free PDF files is Project Gutenberg. This online library offers over 60,000 free eBooks that are in the public domain. From classic literature to historical documents, Project Gutenberg provides a wide range of PDF files that can be downloaded and enjoyed on various devices. The website is user-friendly and allows users to search for specific titles or browse through different categories. Another reliable platform for downloading Civil Engineering Basic Knowledge free PDF files is Open Library. With its vast collection of over 1 million eBooks, Open Library has something for every reader. The website offers a seamless experience by providing options to borrow or download PDF files. Users simply need to create a free account to access this treasure trove of knowledge. Open Library also allows users to contribute by uploading and sharing their own PDF files, making it a collaborative platform for book enthusiasts. For those interested in academic resources, there are websites dedicated to providing free PDFs of research papers and scientific articles. One such website is Academia.edu, which allows researchers and scholars to share their work with a global audience. Users can download PDF files of research papers, theses, and dissertations covering a wide range of subjects. Academia.edu also provides a platform for discussions and networking within the academic community. When it comes to downloading Civil Engineering Basic Knowledge free PDF files of magazines, brochures, and catalogs, Issuu is a popular choice. This digital publishing platform hosts a vast collection of publications from around the world. Users can search for specific titles or explore various categories and genres. Issuu offers a seamless reading experience with its user-friendly interface and allows users to download PDF files for offline reading. Apart from dedicated platforms, search engines also play a crucial role in finding free PDF files. Google, for instance, has an advanced search feature that allows users to filter results by file type. By specifying the file type as "PDF," users can find websites that offer free PDF downloads on a specific topic. While downloading Civil Engineering Basic Knowledge free PDF files is convenient, its important to note that copyright laws must be respected. Always ensure that the PDF files you download are

legally available for free. Many authors and publishers voluntarily provide free PDF versions of their work, but its essential to be cautious and verify the authenticity of the source before downloading Civil Engineering Basic Knowledge. In conclusion, the internet offers numerous platforms and websites that allow users to download free PDF files legally. Whether its classic literature, research papers, or magazines, there is something for everyone. The platforms mentioned in this article, such as Project Gutenberg, Open Library, Academia.edu, and Issuu, provide access to a vast collection of PDF files. However, users should always be cautious and verify the legality of the source before downloading Civil Engineering Basic Knowledge any PDF files. With these platforms, the world of PDF downloads is just a click away.

FAQs About Civil Engineering Basic Knowledge Books

How do I know which eBook platform is the best for me? Finding the best eBook platform depends on your reading preferences and device compatibility. Research different platforms, read user reviews, and explore their features before making a choice. Are free eBooks of good quality? Yes, many reputable platforms offer high-quality free eBooks, including classics and public domain works. However, make sure to verify the source to ensure the eBook credibility. Can I read eBooks without an eReader? Absolutely! Most eBook platforms offer web-based readers or mobile apps that allow you to read eBooks on your computer, tablet, or smartphone. How do I avoid digital eye strain while reading eBooks? To prevent digital eye strain, take regular breaks, adjust the font size and background color, and ensure proper lighting while reading eBooks. What the advantage of interactive eBooks? Interactive eBooks incorporate multimedia elements, quizzes, and activities, enhancing the reader engagement and providing a more immersive learning experience. Civil Engineering Basic Knowledge is one of the best book in our library for free trial. We provide copy of Civil Engineering Basic Knowledge in digital format, so the resources that you find are reliable. There are also many Ebooks of related with Civil Engineering Basic Knowledge. Where to download Civil Engineering Basic Knowledge online for free? Are you looking for Civil Engineering Basic Knowledge PDF? This is definitely going to save you time and cash in something you should think about.

Find Civil Engineering Basic Knowledge :

reparing geometry with spaceclaim

research methods for business uma-sekaran chapter 4 ppt

sadako and the thousand paper cranes by eleanor coerr

rt a seat ibiza upload

road to excellence the acquisition of expert performance in the arts and sciences sports and games

revue technique automobile hyundai tucson

saltwater aquarium saltwater aquarium for dummies a complete step by step setup and maintenance guide for beginners

saltwater aquarium saltwater aquarium aquarium saltwater aquarium reef salt

rs aggarwal solution class 9

roddy coolen electronic communication

robbins and cotran pathologic basis of disease professional edition 8th

samosas the top 50 most delicious samosa recipes tasty little indian snacks recipe top 50s book 33

sample paper for the pre entry tests in law makerere university uganda

s7 1200 motion control v13 siemens

roadside design guide 4th edition 2011

santillana frances 1 eso

Civil Engineering Basic Knowledge :

introduction to algebraic number theory wstein - Jun 24 2022

web introduction 1 2 what is algebraic number theory a number field k is a finite algebraic extension of the rational numbers

q every such extension can be represented as all polynomials in an algebraic number $\alpha \in k \subset q \subset \alpha^m \in n \neq 0$ and $n \in \mathbb{Z}$

introduction introductory algebraic number theory - Dec 31 2022

web sep 5 2012 this book is intended as an introductory text for senior undergraduate and beginning graduate students

wishing to learn the fundamentals of algebraic number theory it is based upon a course in algebraic number theory given by

the second author at carleton university for more than thirty years keeping in mind that this is an

algebraic number wikipedia - May 24 2022

web an algebraic number is a number that is a root of a non zero polynomial in one variable with integer or equivalently

rational coefficients for example the golden ratio is an algebraic number because it is a root of the polynomial $x^2 - x - 1$ that is it

is a value for x for which the polynomial evaluates to zero

number theory wikipedia - Sep 27 2022

web algebraic number theory may be said to start with the study of reciprocity and cyclotomy but truly came into its own

with the development of abstract algebra and early ideal theory and valuation theory see below a conventional starting point

for analytic number theory is dirichlet's theorem on arithmetic progressions 1837 whose proof

algebraic number theory cambridge university press - Oct 29 2022

web it provides a brisk thorough treatment of the foundations of algebraic number theory and builds on that to introduce more advanced ideas throughout the authors emphasise the systematic development of techniques for the explicit calculation of the basic invariants such as rings of integers class groups and units

[algebraic number theory cambridge university press](#) - Mar 02 2023

web algebraic number theory textbook part of cambridge studies in advanced mathematics authors a fröhlich university of london m j taylor university of manchester institute of science and technology date published february 1993 availability available format paperback isbn 9780521438346 rate review 57 99 paperback

algebra number theory msp - Jul 26 2022

web algebra number theory about the journal msp org ant ant s inclusive definition of algebra and number theory allows it to print research covering a wide range of subtopics including algebraic and arithmetic geometry

introductory algebraic number theory cambridge university - Aug 27 2022

web learning algebraic number theory is about the least abstract way to learn about important aspects of commutative ring theory as well as being beautiful in its own right too this text is ideally suited to the learner of both of these with clear writing a plentiful supply of examples and exercises and a good range of suggested reading

[introductory algebraic number theory number theory](#) - Feb 01 2023

web description contents resources courses about the authors suitable for senior undergraduates and beginning graduate students in mathematics this book is an introduction to algebraic number theory at an elementary level prerequisites are kept to a minimum and numerous examples illustrating the material occur throughout the text

algebraic number theory springerlink - Jul 06 2023

web about this book the present book gives an exposition of the classical basic algebraic and analytic number theory and supersedes my algebraic numbers including much more material e g the class field theory on which i make further comments at

[algebraic number theory springerlink](#) - Nov 29 2022

web algebraic number theory home book authors jürgen neukirch the author s enthusiasm for this topic is rarely as evident for the reader as in this book a good book a beautiful book f lorenz in deutsche mathematiker vereinigung 1995 includes supplementary material sn pub extras

algebraic number theory brilliant math science wiki - Apr 03 2023

web algebraic number theory is the study of roots of polynomials with rational or integral coefficients these numbers lie in algebraic structures with many similar properties to those of the integers the historical motivation for the creation of the subject was solving certain diophantine equations most notably fermat s famous conjecture which

algebraic number theory ben green university of oxford - Aug 07 2023

web algebraic numbers in this chapter we introduce the basic objects of the course 1 1 algebraic numbers minimal polynomials definition 1 1 1 a complex number is algebraic if it is the solution to some polynomial equation with coefficients in q the set of all algebraic numbers is denoted by q examples every rational is algebraic as are i p

bridges between geometry and number theory harvard - Apr 22 2022

web oct 29 2021 i andr e weil s foundations of algebraic geometry 1946 and at approximately the same time i ultra algebraic approaches to aspects of at least the algebraic geometry of curves such as claude chevalley s introduction to the theory of algebraic functions of one variable without a picture in the book or even pictorial

algebraic number theory wikipedia - Oct 09 2023

web algebraic number theory is a branch of number theory that uses the techniques of abstract algebra to study the integers rational numbers and their generalizations number theoretic questions are expressed in terms of properties of algebraic objects such as algebraic number fields and their rings of integers finite fields and function fields

algebraic number theory james milne - Sep 08 2023

web algebraic number theory studies the arithmetic of algebraic number fields the ring of integers in the number field the ideals and units in the ring of integers the extent to which unique factorization holds and so on

algebraic number theory springerlink - May 04 2023

web authors frazer jarvis provides a self contained and easy to read introduction to algebraic number theory with minimal algebraic prerequisites introduces the theory of ideals in a historical context through the study of the failure of unique factorisation in number fields

algebraic number theory - Mar 22 2022

web a standard course in algebraic number theory discusses the proofs of the main results on integral bases discriminants dedekind rings class groups dirichlet s unit theorem etc in this semester i will instead concentrate on quadratic extensions of the rationals and of the rational function fields and introduce elliptic curves

number theory i mathematics mit opencourseware - Jun 05 2023

web course description this is the first semester of a one year graduate course in number theory covering standard topics in algebraic and analytic number theory at various points in the course we will make reference to material from other branches of mathematics including topology complex analysis representation theory and algebraic

daniel a marcus number fields university of toronto - Feb 18 2022

web zahlbericht namely lectures on the theory of algebraic numbers by erich hecke 5 this is the book from which i learned the subject although there are no exercises in it to mention andré weil again to improve on hecke in a treatise along classical

lines of the theory of algebraic numbers would be a futile and impossible task

moon handbooks coastal oregon free download borrow and - Mar 10 2023

web oregon guidebooks oregon publisher emeryville ca avalon travel pub collection inlibrary printdisabled
internetarchivebooks digitizing sponsor kahle austin foundation contributor internet archive language english

moon oregon moon handbooks amazon com - Jun 13 2023

web jun 3 2014 in stock outdoors enthusiasts and portland residents judy jewell and w c mcrae offer unique insight into oregon s many offerings from its lush forests and deep river canyons to its award winning wines and friendly cities

moon oregon moon handbooks amazon com - Apr 11 2023

web feb 26 2007 moon oregon moon handbooks paperback february 26 2007 by elizabeth morris author mark morris author
4 3 12 ratings see all formats and editions paperback 5 50 44 used from 1 52 5 new from 16 44 there is a newer edition of
this item moon oregon travel guide 18 49 98 in stock

amazon com customer reviews moon handbooks oregon by - Sep 04 2022

web apr 2 2004 the moon handbook for oregon sixth edition is packed with interesting information and history about areas throughout oregon includes scenic pictures and some nice black and white street maps of various cities with points of interest labeled

oregon handbook moon handbooks book by stuart warren thriftbooks - Aug 03 2022

web oregon handbook oregon is in america s pacific northwest in a state of so many natural resources this guide recommends quiet fishing backcountry treks camping cycling whale watching rafting and jet boating it also covers cultural activities shopping for regional arts and crafts and accommodation

moon handbooks oregon by ted long ishikawa and stuart - Dec 07 2022

web find many great new used options and get the best deals for moon handbooks oregon by ted long ishikawa and stuart warren 1998 trade paperback revised edition at the best online prices at ebay free shipping for many products

moon oregon moon handbooks amazon com - Aug 15 2023

web mar 27 2012 in stock outdoors enthusiasts and portland residents judy jewell and w c mcrae offer unique insight into oregon s many offerings from its lush forests and deep river canyons to its award winning wines and friendly cities

moon handbooks oregon morris mark morris elizabeth - Feb 09 2023

web authors elizabeth and mark morris oregon enthusiasts and residents give thorough coverage of top sights events family destinations and outdoor opportunities from exploring the crystal waters of crater lake to the diverse neighborhoods of portland every worthwhile sight and activity in oregon is covered in this book

oregon handbook moon handbooks oregon ted long ishikawa - Dec 27 2021

web oregon handbook moon handbooks oregon ted long ishikawa primal by jessica gadziala 1 4 flavours of openness made for the marquess second sons of london 4 by alexa aston rate this book

moon oregon moon handbooks mark morris - Apr 30 2022

web moon oregon moon handbooks mark morris thomas reid s inquiry the geometry of visibles and the case for realism stanford series in philosophy norman daniels cost estimation methods and tools wiley series in operations research and management science daniel a nussbaum the windows workshop quattro pro for

oregon handbook moon handbooks oregon ted long ishikawa - Mar 30 2022

web jul 21 2021 oregon handbook moon handbooks oregon ted long ishikawa the 2016 2021 outlook for bouillon in india icon group international james joyce and the art of mediation david weir the figurative fifties new york figurative expressionism judith stein weimar culture the outsider as insider peter gay the english country dance

moon handbooks oregon paperback april 2 2004 amazon com - Jul 14 2023

web apr 2 2004 moon oregon travel guide 18 49 98 in stock if you re seeking more than the standard itinerary moon handbooks oregon is the essential guide to the state s breathtaking mountains scenic coastline and active lifestyle

oregon handbook moon handbooks oregon ted long ishikawa - Jun 01 2022

web apr 8 2022 oregon handbook moon handbooks oregon ted long ishikawa investigating human error incidents accidents and complex systems barry strauch 111 ideas to engage global audiences learniappe renie mcclay speed to the west a nostalgic journey paul atterbury prague et la tchécoslovaquie ouvrage orné de 261

loading interface goodreads - Feb 26 2022

web discover and share books you love on goodreads

moon handbooks oregon 4th edition softcover - Oct 05 2022

web abebooks com moon handbooks oregon 4th edition 9781566911139 by stuart warren and a great selection of similar new used and collectible books available now at great prices

moon oregon moon handbooks by judy jewell goodreads - Jan 08 2023

web jan 1 2010 with information on browsing through the sisters farmers market attending ashland s famous oregon shakespeare festival and kite boarding near hood river moon oregon gives travelers the tools they need to create a

moon handbooks oregon by ms elizabeth morris md mark - Jul 02 2022

web buy moon handbooks oregon by ms elizabeth morris md mark morris online at alibris we have new and used copies available in 1 editions starting at 0 99 shop now

moon oregon moon handbooks kağıt kapak 3 haziran 2014 - Nov 06 2022

web arama yapmak istediğiniz kategoriye seçin

moon guides moon travel guides - May 12 2023

web with mile by mile highlights for 11 routes expert advice and helpful maps roadtripusa.com has all the inspiration you need to fill up your tank and hit the road

oregon handbook moon handbooks oregon ted long ishikawa - Jan 28 2022

web oregon handbook moon handbooks oregon ted long ishikawa guide to basque music teddy khteian keeton norbert heermann s rosenberg sche chronik

box stitch for plastic lacing and macrame projects pepperell - Aug 08 2023

web box stitch plastic lacing box stitch instructions makes 1 lanyard about 3 4 inches 7 6 10 cm long two 1 foot strands of plastic lacing about 1 inch 2 5 cm of stitches or

iggppcamp 2019 lanyards with plastic lacing craft - Aug 28 2022

web may 9 2012 boondoggle is also known as gimp lanyard plastic lacing or craft lace whatever you call this stretchy plastic here is a site with free patterns boondoggle

plastic lace bracelet zipper 6 steps instructables - Feb 02 2023

web lace design box design learn squared plastic lace round design gimp brick stitch design tutorials paracord first brick stitch how to start the brick stitch tuto

step by step plastic lace crafts for beginners signalduo - Oct 30 2022

web jul 1 2017 learn all the essential stitches and skills you need to master the colorful art of plastic lacing 17 simple but fun projects are provided for making zipper pulls key

crafts 4 camp boondoggle - May 25 2022

web lace has always been in style from adorning royal gowns in the 16th century to appearing on the fashion runways of today this pretty fabric is perpetually popular It br gt lt br

5 crafts using plastic craft lace thrifty momma - May 05 2023

web step 1 prepare your lace to start you ll need to choose two colours of plastic lace to start with and which one you want more of you can purchase plastic lace at many

how to do plastic lacing patterns our pastimes boondoggle - Mar 23 2022

web jun 26 2021 the plastic lace craft is an amazing craft that you won t want to close your eyes to if you are a lover of crafts in this amazing book i will be showing you how to

29 rexlace projects ideas plastic lace plastic lace crafts lace - Apr 23 2022

web plastic lace crafts instructions personalized friendship bracelets mandala style throws to crochet plastic lacing and pony beads springtime sewing 4 plastic lace

[how to weave plastic lacing crafts 9 steps](#) - Oct 10 2023

web how to weave plastic lacing crafts plastic lacing crafts have been around for a long time with names as colorful as their plastic pieces one or two or four or eight strands

[plastic canvas lacing patterns for beginners free kids](#) - Apr 04 2023

web sep 1 2013 plastic lace crafts for beginners is the perfect way to get started in this easy to learn craft this book will teach you all of the essential stitches and skills you need to

[plastic lace patterns stage gapinc com](#) - Jan 21 2022

how to make bobbin lace with pictures wikihow - Nov 30 2022

web aug 16 2019 there are many different designs you can use for plastic lacing today i m going to show you a simple one to get started with this type of craft the design will

90 best plastic lace crafts ideas pinterest - Jul 07 2023

web how to wrap plastic drubbing crafts plastic lacing crafts have been around on a long time with names in colorful as their plastic pieces one or two or four or eight strands

40 lace sewing patterns allfreeseewing com - Feb 19 2022

web rexlace instructions round stitch square stitch rexlace lanyard rexlace heart rexlace dream catcher rexlace gods eye rexlace dragon fly rexlace awareness

plastic lace crafts for beginners fox chapel publishing co - Jul 27 2022

web oct 27 2014 explore tammy ibarra s board rexlace projects followed by 207 people on pinterest see more ideas about plastic lace plastic lace crafts lace crafts

170 plastic lace designs tutorials ideas pinterest - Sep 09 2023

web oct 19 2021 i ve always just called it plastic string only known how to do the simple box design and round design but now i m learning it s a whole new world with this stuff with

plastic lace crafts for beginners groovy gimp super - Jan 01 2023

web and plastic lace crafts for beginners the the ideal place the begin learning this simple hob with easy to follow weaving diagrams and vivid photographs of finished creations this

education instructions pepperell braiding company - Nov 18 2021

plastic lace crafts for dummies an absolute beginner s - Dec 20 2021

how to make boondoggle keychains diy doodlecraft - Jun 25 2022

web ending pliant lacing crafts provides an entertaining activity while also creating one helpful entry that brings an extra fulfillment of knowing yourself produced i yourself plastic

how to weave plastic lacing crafts 9 steps instructables - Mar 03 2023

web oct 10 2022 tie pairs of hanging threads in knots and cut the excess when you have finished working your lace pattern you will need to secure the ends of the thread tie

how to weave plastic lacing crafts 9 steps instructables - Jun 06 2023

web how in weave plastic drubbing crafts plastic lacing crafts have been around for a length time with names more colorful since their plastic pieces on button two or foursome or

pdf book plastic lace crafts for beginners basic plastic lace - Sep 28 2022

web some people call these boondoggle keychains scoubidou s craft lace plastic weaving scoobies plastic lacing cord gimps gymps plastic lanyards and more what do you