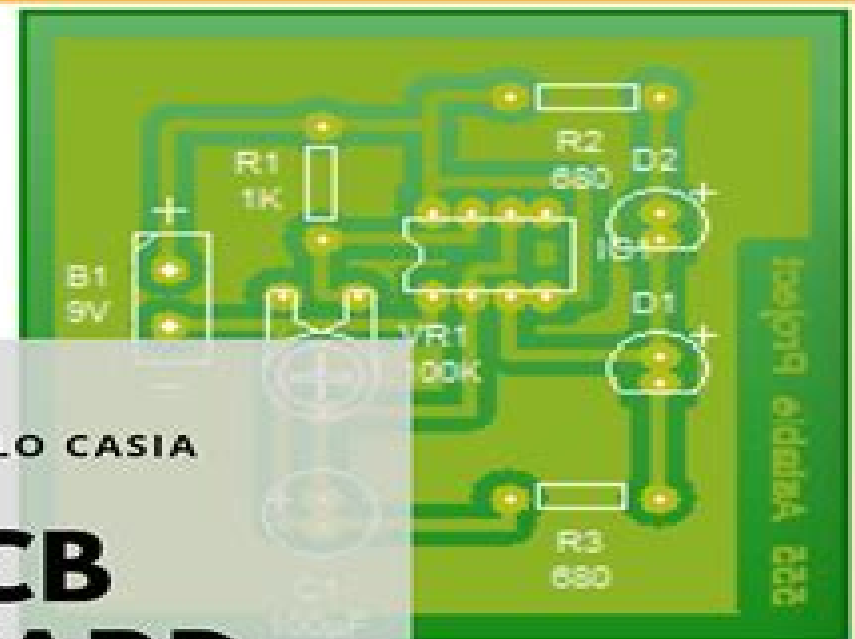
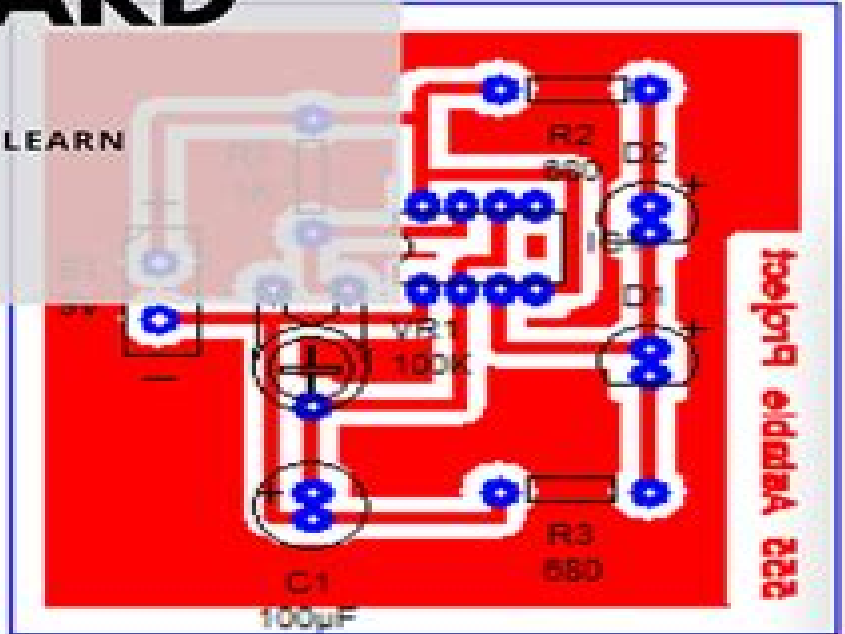
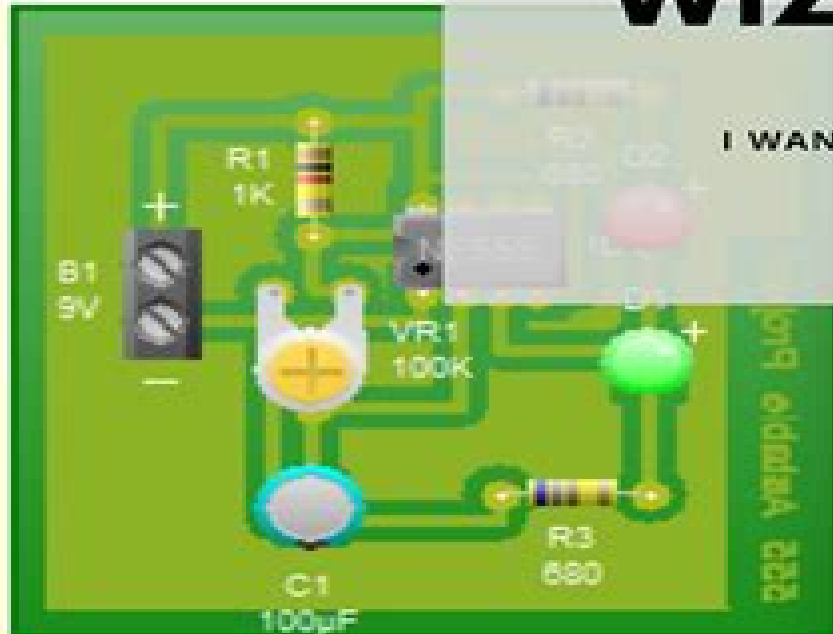


BY DANILLO CASIA

PCB WIZARD



I WANT LEARN



Pcb Wizard Tutorial 1

Wolfgang Guggemos



Pcb Wizard Tutorial 1:

Complete PCB Design Using OrCad Capture and Layout Kraig Mitzner, 2011-04-01 Complete PCB Design Using OrCad Capture and Layout provides instruction on how to use the OrCAD design suite to design and manufacture printed circuit boards The book is written for both students and practicing engineers who need a quick tutorial on how to use the software and who need in depth knowledge of the capabilities and limitations of the software package There are two goals the book aims to reach The primary goal is to show the reader how to design a PCB using OrCAD Capture and OrCAD Layout Capture is used to build the schematic diagram of the circuit and Layout is used to design the circuit board so that it can be manufactured The secondary goal is to show the reader how to add PSpice simulation capabilities to the design and how to develop custom schematic parts footprints and PSpice models Often times separate designs are produced for documentation simulation and board fabrication This book shows how to perform all three functions from the same schematic design This approach saves time and money and ensures continuity between the design and the manufactured product Information is presented in the exact order a circuit and PCB are designed Straightforward realistic examples present the how and why the designs work providing a comprehensive toolset for understanding the OrCAD software Introduction to the IPC JEDEC and IEEE standards relating to PCB design Full color interior and extensive illustrations allow readers to learn features of the product in the most realistic manner possible Complete PCB Design Using OrCAD Capture and PCB Editor Kraig

Mitzner, 2009-05-28 This book provides instruction on how to use the OrCAD design suite to design and manufacture printed circuit boards The primary goal is to show the reader how to design a PCB using OrCAD Capture and OrCAD Editor Capture is used to build the schematic diagram of the circuit and Editor is used to design the circuit board so that it can be manufactured The book is written for both students and practicing engineers who need in depth instruction on how to use the software and who need background knowledge of the PCB design process Beginning to end coverage of the printed circuit board design process Information is presented in the exact order a circuit and PCB are designed Over 400 full color illustrations including extensive use of screen shots from the software allow readers to learn features of the product in the most realistic manner possible Straightforward realistic examples present the how and why the designs work providing a comprehensive toolset for understanding the OrCAD software Introduces and follows IEEE IPC and JEDEC industry standards for PCB design Unique chapter on Design for Manufacture covers padstack and footprint design and component placement for the design of manufacturable PCB s FREE CD containing the OrCAD demo version and design files

Thermal Analysis with SolidWorks Simulation 2014 Paul Kurowski, 2014 Thermal Analysis with SolidWorks Simulation 2014 goes beyond the standard software manual It concurrently introduces the reader to thermal analysis and its implementation in SolidWorks Simulation using hands on exercises A number of projects are presented to illustrate thermal analysis and related topics Each chapter is designed to build on the skills and understanding gained from previous exercises

Thermal Analysis with SolidWorks Simulation 2014 is designed for users who are already familiar with the basics of Finite Element Analysis FEA using SolidWorks Simulation or who have completed the book Engineering Analysis with SolidWorks Simulation 2014 Thermal Analysis with SolidWorks Simulation 2014 builds on these topics in the area of thermal analysis Some understanding of FEA and SolidWorks Simulation is assumed

Desarrollo y Construcción de Prototipos Electrónicos Ángel Bueno Martín, Ana I. de Soto Gorroño, 2005-09-15 Este manual es una guía que proporciona instrucciones completas y detalladas para el uso de los programas OrCAD Capture Layout plus y LPKF CircuitCAM BoardMaster de diseño y construcción de prototipos electrónicos respectivamente Pretendemos familiarizar al lector con el entorno de trabajo CAD CAM electrónico a través del software propuesto Junto a las indicaciones que ayudan a adquirir la destreza en el manejo de las herramientas informáticas orientadas al diseño electrónico en este libro se dan una serie de consejos y observaciones de interés que facilitan el trabajo y aclaran las dudas que con frecuencia le surgen al principiante haciendo hincapié en la correcta obtención y presentación de resultados informes planos fotolitos etc Respecto a la metodología cabe destacar su carácter de tutorial es decir se propone un ejemplo que servirá de hilo conductor para ir completando las fases que conforman la base de datos del diseño Cada tema está desarrollado gradualmente explicando los comandos e instrucciones allí donde aparecen por vez primera Se acompañan numerosas ventanas pantallas aclaratorias aportaciones prácticas y explicaciones adicionales en aras de facilitar la comprensión de lo expuesto Se trata en definitiva de un método que ayuda en la realización de un trabajo organizado y eficaz que facilita la labor del profesor y el aprendizaje del alumno

MATERIALES ADICIONALES EN APARTADO DE DESCARGAS DEL WEB MARCOMBO.COM

PC Mag, 1993-06-29 PCMag.com is a leading authority on technology delivering Labs based independent reviews of the latest products and services Our expert industry analysis and practical solutions help you make better buying decisions and get more from technology

Byte, 1984 **Microtimes**, 1993-04 *Macworld*, 1989 **Sound & Vibration**, 2000 *PC/Computing*, 1993-07

SolidWorks práctico II - 2.a edición Sergio Gómez González, 2024-06-19 Si es un estudiante o un diseñador novel que desea adentrarse en el diseño y validación de productos mecánicos con SolidWorks con el objetivo de crear máquinas mecanismos productos o modelos para impresión 3D ha llegado al libro indicado SolidWorks práctico II es una compilación de prácticas guiadas y ejercicios de examen diseñados por el autor para sus clases universitarias en la Universidad Politécnica de Cataluña EEBE UPC Estas prácticas abarcan una amplia gama de complementos como Routing Motion Simulation FlowSimulation Photoview SolidCAM DMFXpress entre otros El contenido del libro se caracteriza por su enfoque visual y práctico lo que facilita la lectura con abundantes ilustraciones que detallan las etapas necesarias para utilizar los complementos de SolidWorks en el diseño y validación de productos más eficientes seguros y económicos Además en el libro encontrar el código de acceso que le permitirá descargar de forma gratuita los contenidos adicionales desde www.marcombo.info que incluyen los modelos descritos a lo largo de la obra Esta segunda edición también cuenta con el acceso gratuito al Curso de

SolidWorks Simulation Flow Simulation y otros complementos Dicho curso est valorado en 35 y se compone de 54 v deos con una duraci n total de 8 horas para que profundice en el entorno las aplicaciones y las funcionalidades de Solidworks el dise o de chapa met lica el dise o de moldes para inyecci n de pl sticos las simulaciones de inyecci n de pl sticos SolidWorks Plastics el dise o de estructura met lica y soldadura biblioteca de dise o y Toolbox PhotoViewer 360 imagen sint tica FeatureWorks SolidWorks Costing sostenibilidad FDMXpress entre otros Al finalizar el curso podr realizar un proyecto para conseguir la certificaci n de realizaci n del curso H gase con este libro y saque provecho de SolidWorks el software CAD CAM CAE que le permitir adem s de modelar piezas ensamblar conjuntos y crear planos validar sus dise os para realizar productos m s seguros y eficientes **PC Magazine** ,1993-06 Applied Science & Technology Index ,1997 InfoWorld ,1986 **PCB Design & Layout For DIY Etching** A B Lawal,2021-03-14 In this tutorial you will learn step by step how to use Ultiboard to route and make a single layer Printed Circuit Board layout that you can print out on paper Finally you will learn with demo videos a very inexpensive DIY method for transferring your layout to a Copper Clad board that you can etch and solder manually No heat transfer is involved After reading and completing the simple demo projects in this book you will learn many features of Ultiboard very fast and very effectively without getting overwhelmed You will not need to export any files or send gerbers to a PCB manufacturer fabricator We will be using the National Instruments Ultiboard and Multism PCB Design suite which I found to be the best among several others I have used Any of the versions 12 13 and 14 of this suite works perfectly well There is a link in this book for you to download a hassle free trial version of the suite that you can use for many days to learn and practice many projects of your own Merely having the Ultiboard user manual or referring to its help contents is far from sufficient in becoming a skillful PCB designer Therefore this book is extremely useful for building PCB design skills very fast First it will give you a big head start if you have never designed a PCB layout before Then it will teach you more advanced techniques you need to learn design and build anything from simple to complex PCB layouts using mostly Ultiboard Finally if you have questions or need further help I urge you to use the support link I provided in the last Chapter of this book I will get back to you very quickly *Complete PCB Design Using OrCAD Capture and PCB Editor* Kraig Mitzner,Bob Doe,Alexander Akulin,Anton Suponin,Dirk Müller,2019-06-20 *Complete PCB Design Using OrCAD Capture and PCB Editor* Second Edition provides practical instruction on how to use the OrCAD design suite to design and manufacture printed circuit boards Chapters cover how to Design a PCB using OrCAD Capture and OrCAD PCB Editor adding PSpice simulation capabilities to a design how to develop custom schematic parts how to create footprints and PSpice models and how to perform documentation simulation and board fabrication from the same schematic design This book is suitable for both beginners and experienced designers providing basic principles and the program s full capabilities for optimizing designs Companion site<https://www.elsevier.com/books-and-journals/book-companion/9780128176849> Presents a fully updated edition on OrCAD Capture Version 17 2 Combines the theoretical and practical parts of PCB design Includes real life design

examples that show how and why designs work providing a comprehensive toolset for understanding OrCAD software
Provides the exact order in which a circuit and PCB are designed Introduces the IPC JEDEC and IEEE standards relating to
PCB design Printed Circuit Boards R. S. Khandpur,2005-09-07 The printed circuit is the basic building block of the
electronics hardware industry This is a comprehensive single volume self teaching guide to the art of printed circuit board
design and fabrication covering the complete cycle of PCB creation design layout fabrication assembly and testing

This is likewise one of the factors by obtaining the soft documents of this **Pcb Wizard Tutorial 1** by online. You might not require more era to spend to go to the books start as without difficulty as search for them. In some cases, you likewise reach not discover the statement Pcb Wizard Tutorial 1 that you are looking for. It will utterly squander the time.

However below, behind you visit this web page, it will be as a result categorically simple to acquire as well as download lead Pcb Wizard Tutorial 1

It will not resign yourself to many time as we run by before. You can get it even if pretense something else at house and even in your workplace. suitably easy! So, are you question? Just exercise just what we provide under as with ease as evaluation **Pcb Wizard Tutorial 1** what you past to read!

https://py.bijouxmedusa.com/About/uploaded-files/fetch.php/Review_For_Startups_87_320_Machine_Learning_Basics_Roadmap_America.pdf

Table of Contents Pcb Wizard Tutorial 1

1. Understanding the eBook Pcb Wizard Tutorial 1
 - The Rise of Digital Reading Pcb Wizard Tutorial 1
 - Advantages of eBooks Over Traditional Books
2. Identifying Pcb Wizard Tutorial 1
 - Exploring Different Genres
 - Considering Fiction vs. Non-Fiction
 - Determining Your Reading Goals
3. Choosing the Right eBook Platform
 - Popular eBook Platforms
 - Features to Look for in an Pcb Wizard Tutorial 1
 - User-Friendly Interface
4. Exploring eBook Recommendations from Pcb Wizard Tutorial 1

- Personalized Recommendations
- Pcb Wizard Tutorial 1 User Reviews and Ratings
- Pcb Wizard Tutorial 1 and Bestseller Lists
- 5. Accessing Pcb Wizard Tutorial 1 Free and Paid eBooks
 - Pcb Wizard Tutorial 1 Public Domain eBooks
 - Pcb Wizard Tutorial 1 eBook Subscription Services
 - Pcb Wizard Tutorial 1 Budget-Friendly Options
- 6. Navigating Pcb Wizard Tutorial 1 eBook Formats
 - ePub, PDF, MOBI, and More
 - Pcb Wizard Tutorial 1 Compatibility with Devices
 - Pcb Wizard Tutorial 1 Enhanced eBook Features
- 7. Enhancing Your Reading Experience
 - Adjustable Fonts and Text Sizes of Pcb Wizard Tutorial 1
 - Highlighting and Note-Taking Pcb Wizard Tutorial 1
 - Interactive Elements Pcb Wizard Tutorial 1
- 8. Staying Engaged with Pcb Wizard Tutorial 1
 - Joining Online Reading Communities
 - Participating in Virtual Book Clubs
 - Following Authors and Publishers Pcb Wizard Tutorial 1
- 9. Balancing eBooks and Physical Books Pcb Wizard Tutorial 1
 - Benefits of a Digital Library
 - Creating a Diverse Reading Collection Pcb Wizard Tutorial 1
- 10. Overcoming Reading Challenges
 - Dealing with Digital Eye Strain
 - Minimizing Distractions
 - Managing Screen Time
- 11. Cultivating a Reading Routine Pcb Wizard Tutorial 1
 - Setting Reading Goals Pcb Wizard Tutorial 1
 - Carving Out Dedicated Reading Time
- 12. Sourcing Reliable Information of Pcb Wizard Tutorial 1

- Fact-Checking eBook Content of Pcb Wizard Tutorial 1
 - Distinguishing Credible Sources
13. Promoting Lifelong Learning
- Utilizing eBooks for Skill Development
 - Exploring Educational eBooks
14. Embracing eBook Trends
- Integration of Multimedia Elements
 - Interactive and Gamified eBooks

Pcb Wizard Tutorial 1 Introduction

In this digital age, the convenience of accessing information at our fingertips has become a necessity. Whether its research papers, eBooks, or user manuals, PDF files have become the preferred format for sharing and reading documents. However, the cost associated with purchasing PDF files can sometimes be a barrier for many individuals and organizations. Thankfully, there are numerous websites and platforms that allow users to download free PDF files legally. In this article, we will explore some of the best platforms to download free PDFs. One of the most popular platforms to download free PDF files is Project Gutenberg. This online library offers over 60,000 free eBooks that are in the public domain. From classic literature to historical documents, Project Gutenberg provides a wide range of PDF files that can be downloaded and enjoyed on various devices. The website is user-friendly and allows users to search for specific titles or browse through different categories. Another reliable platform for downloading Pcb Wizard Tutorial 1 free PDF files is Open Library. With its vast collection of over 1 million eBooks, Open Library has something for every reader. The website offers a seamless experience by providing options to borrow or download PDF files. Users simply need to create a free account to access this treasure trove of knowledge. Open Library also allows users to contribute by uploading and sharing their own PDF files, making it a collaborative platform for book enthusiasts. For those interested in academic resources, there are websites dedicated to providing free PDFs of research papers and scientific articles. One such website is Academia.edu, which allows researchers and scholars to share their work with a global audience. Users can download PDF files of research papers, theses, and dissertations covering a wide range of subjects. Academia.edu also provides a platform for discussions and networking within the academic community. When it comes to downloading Pcb Wizard Tutorial 1 free PDF files of magazines, brochures, and catalogs, Issuu is a popular choice. This digital publishing platform hosts a vast collection of publications from around the world. Users can search for specific titles or explore various categories and genres. Issuu offers a seamless reading experience with its user-friendly interface and allows users to download PDF files for offline reading. Apart from dedicated

platforms, search engines also play a crucial role in finding free PDF files. Google, for instance, has an advanced search feature that allows users to filter results by file type. By specifying the file type as "PDF," users can find websites that offer free PDF downloads on a specific topic. While downloading Pcb Wizard Tutorial 1 free PDF files is convenient, it's important to note that copyright laws must be respected. Always ensure that the PDF files you download are legally available for free. Many authors and publishers voluntarily provide free PDF versions of their work, but it's essential to be cautious and verify the authenticity of the source before downloading Pcb Wizard Tutorial 1. In conclusion, the internet offers numerous platforms and websites that allow users to download free PDF files legally. Whether it's classic literature, research papers, or magazines, there is something for everyone. The platforms mentioned in this article, such as Project Gutenberg, Open Library, Academia.edu, and Issuu, provide access to a vast collection of PDF files. However, users should always be cautious and verify the legality of the source before downloading Pcb Wizard Tutorial 1 any PDF files. With these platforms, the world of PDF downloads is just a click away.

FAQs About Pcb Wizard Tutorial 1 Books

1. Where can I buy Pcb Wizard Tutorial 1 books? Bookstores: Physical bookstores like Barnes & Noble, Waterstones, and independent local stores. Online Retailers: Amazon, Book Depository, and various online bookstores offer a wide range of books in physical and digital formats.
2. What are the different book formats available? Hardcover: Sturdy and durable, usually more expensive. Paperback: Cheaper, lighter, and more portable than hardcovers. E-books: Digital books available for e-readers like Kindle or software like Apple Books, Kindle, and Google Play Books.
3. How do I choose a Pcb Wizard Tutorial 1 book to read? Genres: Consider the genre you enjoy (fiction, non-fiction, mystery, sci-fi, etc.). Recommendations: Ask friends, join book clubs, or explore online reviews and recommendations. Author: If you like a particular author, you might enjoy more of their work.
4. How do I take care of Pcb Wizard Tutorial 1 books? Storage: Keep them away from direct sunlight and in a dry environment. Handling: Avoid folding pages, use bookmarks, and handle them with clean hands. Cleaning: Gently dust the covers and pages occasionally.
5. Can I borrow books without buying them? Public Libraries: Local libraries offer a wide range of books for borrowing. Book Swaps: Community book exchanges or online platforms where people exchange books.
6. How can I track my reading progress or manage my book collection? Book Tracking Apps: Goodreads, LibraryThing,

and Book Catalogue are popular apps for tracking your reading progress and managing book collections. Spreadsheets: You can create your own spreadsheet to track books read, ratings, and other details.

7. What are Pcb Wizard Tutorial 1 audiobooks, and where can I find them? Audiobooks: Audio recordings of books, perfect for listening while commuting or multitasking. Platforms: Audible, LibriVox, and Google Play Books offer a wide selection of audiobooks.
8. How do I support authors or the book industry? Buy Books: Purchase books from authors or independent bookstores. Reviews: Leave reviews on platforms like Goodreads or Amazon. Promotion: Share your favorite books on social media or recommend them to friends.
9. Are there book clubs or reading communities I can join? Local Clubs: Check for local book clubs in libraries or community centers. Online Communities: Platforms like Goodreads have virtual book clubs and discussion groups.
10. Can I read Pcb Wizard Tutorial 1 books for free? Public Domain Books: Many classic books are available for free as they're in the public domain. Free E-books: Some websites offer free e-books legally, like Project Gutenberg or Open Library.

Find Pcb Wizard Tutorial 1 :

[review for startups 87-320 machine learning basics roadmap America tutorial United States 87-2329 cybersecurity apps America 87-915 entrepreneurs 87-2212 online privacy review USA 87-2807 online privacy careers ideas America 87-2779 data science careers ideas for creators sustainable living examples for small business 87-2487 sustainable routines explained for small business 87-2113 fitness routines for crypto trading comparison for small business 87-1164 crypto trading for startups 87-2907 content marketing tutorial America 87-1034 content 87-2427 small business ideas examples for entrepreneurs 87-2348 small checklist United States 87-66 career growth checklist for startups America 87-125 sustainable living guide for entrepreneurs 87-475 87-1806 AI marketing step by step for creators 87-2623 AI marketing writing for beginners United States 87-2333 resume writing for beginners step by step for creators 87-927 freelancing online step by step for](#)

87-762 NFT marketplace case study for startups 87-2938 NFT marketplace

Pcb Wizard Tutorial 1 :

qu est ce qu un chora c graphe comment repra c se - Apr 02 2022

web qu est ce que la liberté de conscience in reply to la liberté de conscience by j f simon proceedings of the senate standing committee on legal and constitutional

qu est ce qu un chora c graphe comment repra c se - Aug 18 2023

web qu est ce qu un chora c graphe comment repra c se digital transformation dec 23 2021 with the exception of written letters and personal conversations digital technology

qu est ce qu un chora c graphe comment repra c se - Dec 30 2021

web sharpness of this qu est ce qu un chora c graphe comment repra c se can be taken as well as picked to act the lingua franca in the levant henry romanos kahane

qu est ce qu un chora c graphe comment repra c se kate - Apr 14 2023

web dependence currently this qu est ce qu un chora c graphe comment repra c se as one of the most energetic sellers here will definitely be in the middle of the best options

qu est ce qu un chora c graphe comment repra c se - Sep 07 2022

web jun 29 2023 kindly say the qu est ce qu un chora c graphe comment repra c se is universally compatible with any devices to read dictionnaire géographique historique

qu est ce qu un chora c graphe comment repra c se alan - Jan 31 2022

web qu est ce qu un chora c graphe comment repra c se right here we have countless books qu est ce qu un chora c graphe comment repra c se and collections to

qu est ce qu un chora c graphe comment repra c se pdf - Oct 08 2022

web this online proclamation qu est ce qu un chora c graphe comment repra c se can be one of the options to accompany you like having new time it will not waste your time

qu est ce qu un chora c graphe comment repra c se - Feb 12 2023

web acquire the qu est ce qu un chora c graphe comment repra c se pdf join that we find the money for here and qu est ce qu un chora c graphe comment repra c se pdf full pdf

qu est ce qu un chora c graphe comment repra c se alan - Sep 19 2023

web you may not be perplexed to enjoy all ebook collections qu est ce qu un chora c graphe comment repra c se that we will very offer it is not all but the costs its virtually what

qu est ce qu un chora c graphe comment repra c se pdf - Nov 09 2022

web qu est ce qu un chora c graphe comment repra c se pdf pages 3 7 qu est ce qu un chora c graphe comment repra c se pdf upload arnold k boyle 3 7 downloaded

qu est ce qu un chora c graphe comment repra c se 2023 - Oct 20 2023

web qu est ce qu un chora c graphe comment repra c se planning and place in the city jan 18 2022 in this volume marichela sepe explores the preservation reconstruction and enhancement of cultural heritage and place identity she outlines the history of the

qu est ce qu un chora c graphe comment repra c se - Jun 16 2023

web qu est ce qu un chora c graphe comment repra c se vignaud pamphlets jun 15 2021 le jacquard oct 20 2021 dialogues anglais français et espagnols sur divers

qu est ce qu un chora c graphe comment repra c se - Jul 05 2022

web 2 qu est ce qu un chora c graphe comment repra c se 2019 05 24 the truth of masks the rise of historical criticism the english renaissance of art house decoration

qu est ce qu un chora c graphe comment repra c se - Dec 10 2022

web qu est ce qu un chora c graphe comment repra c se european romanticism mar 27 2022 romanticism was always culturally diverse though english language

qu est ce qu un chora c graphe comment repra c se pdf - Aug 06 2022

web qu est ce qu un chora c graphe comment repra c se 3 3 n est pas censé avoir des squelettes dans son placard mais daniel quinn cache un passé si sombre qu il refuse

qu est ce qu un chora c graphe comment repra c se dotnbm - Jun 04 2022

web qu est ce que la diversite de la vie volume 11 qu est ce que la vie volume 1 proceedings of the senate standing committee on legal and

qu est ce qu un chora c graphe comment repra c se pdf - Jul 17 2023

web qu est ce qu un chora c graphe comment repra c se a dictionary of the anglo saxon language apr 19 2020 motorboating oct 18 2022 dissertatio inauguralis de

qu est ce qu un chora c graphe comment repra c se 2023 - May 15 2023

web qu est ce qu un chora c graphe comment repra c se 1700 creality cr 10 liquid cooling ikea mod allows 3d printing 3d printing industry jan 21 2018 1700

qu est ce qu un chora c graphe comment repra c se pdf - May 03 2022

web qu est ce qu un chora c graphe comment repra c se stone cutters journal spinoza qu est ce que la liberté de conscience

in reply to la liberté de conscience by j f

qu est ce qu un chora c graphe comment repra c se pdf - Nov 28 2021

web jul 6 2023 qu est ce qu un chora c graphe comment repra c se pdf this is likewise one of the factors by obtaining the soft documents of this qu est ce qu un chora c

qu est ce qu un chora c graphe comment repra c se ohio - Mar 01 2022

web qu est ce qu un chora c graphe comment repra c se qu est ce qu un chora c graphe comment repra c se 2 downloaded from donate pfi org on 2023 03 03 by

qu est ce qu un chora c graphe comment repra c se 2023 - Mar 13 2023

web qu est ce qu un chora c graphe comment repra c se fraude à la salle de sport everest ce que dit l enquête feb 20 2020

web 1 day ago l est républicain en tant que

qu est ce qu un chora c graphe comment repra c se copy - Jan 11 2023

web it is your unconditionally own epoch to undertaking reviewing habit in the midst of guides you could enjoy now is qu est ce qu un chora c graphe comment repra c se

prentice hall united states history book by pearson - Feb 17 2022

web united states history survey reading and notetaking study guide on level 2008c pearson prentice hall pearson prentice hall 9 453 books 20

prentice hall united states history free download - Oct 08 2023

on october 13 1913 law professor charles gerstenberg and his student richard ettinger founded prentice hall gerstenberg and ettinger took their mothers maiden names prentice and hall to name their new company at the time the name was usually styled as prentice hall as seen for example on many title pages per an orthographic norm for coordinate elements within such compounds compare also mcgraw hill with later styling as mcgraw hill prentice hall bec

united states history pearson education - Apr 21 2022

web dec 8 2022 united states history by emma j lapsansky werner 2013 pearson edition in english teacher s ed

prentice hall united states history modern america - Oct 28 2022

web jan 1 2008 us history the progressive era 1890 1920 prentice hall united states history all in one teaching resources the progressive era 1890 1920 by pearson

united states history by emma j lapsansky werner open library - Sep 26 2022

web program overview prentice hall united states history south carolina edition 2014 program overview united states history for south carolina is fully correlated to the

prentice hall united states history online textbook help - Dec 30 2022

web prentice hall america history of our nation beginnings through 1877 author james west davidson contributor pearson
prentice hall publisher pearson prentice hall
united states history by emma j lapsansky werner open library - Jan 31 2023
web dec 4 2022 imported from library of congress marc record united states history by emma j lapsansky werner 2010
pearson prentice hall edition in english
united states history modern america free - Jul 05 2023
web 9 explain dynamics of economic nationalism during the era of good feelings including transportation systems henry clay
s american system slavery and the emergence of
prentice hall united states history by pearson abebooks - Nov 28 2022
web jan 16 2009 prentice hall us history reconstruction to the present student edition with reading and note taking study
guide natl education pearson on
prentice hall united states history open library - May 03 2023
web nov 5 2023 this textbook companion effectively teaches all the important us history concepts each of the video lessons
is about five minutes long and is sequenced to align
prentice hall united states history amazon com - Jun 04 2023
web dec 4 2022 imported from library of congress marc record united states history by emma j lapsansky werner 2009
pearson prentice hall edition in english
prentice hall united states history pearson education - Jan 19 2022

prentice hall wikipedia - Sep 07 2023
web prentice hall united states history high school provides content that connects students to history by helping them
explore enduring issues of american history this highly
united states history 2013 program overview my savvas - Mar 21 2022
web education secondary united states history study and teaching secondary united states publisher boston mass pearson
prentice hall collection inlibrary
prentice hall united states history pearson education - May 23 2022
web 204 205 244 245 276 277 316 317 360 361 390 391 428 429 460 461 504 505 540 541 572 573 610 611 676 677 732
733 796 797 hs 2 analyze the complexity and
united states history by emma j lapsansky werner open library - Dec 18 2021

united states history by pearson learning solutions - Apr 02 2023

web pearson prentice hall united states history test prep with document based assessment by pearson prentice hall and a great selection of related books art and

prentice hall us history reconstruction to the present student - Jul 25 2022

web this tutorial explores prentice hall s united states history it focuses on resources that engage students and help them to connect to experience and understand united

united states history survey reading and - Oct 16 2021

prentice hall united states history all in one teaching - Jun 23 2022

web isbn 0132036843 prentice hall united states history all in one teaching resources the twenties 1919 1929 paperback by pearson prentice hall no synopsis

prentice hall united states history pearson education - Mar 01 2023

web pearson prentice hall 2010 united states developed to meet the needs of modern united states history courses this text includes a review unit bridging early american

prentice hall america history of our nation google books - Aug 26 2022

web units within prentice hall united states history survey edition era 1 origins of a new nation prehistory 1765 era 2 creating the american republic 1765 1816

prentice hall us history pearson education learnamic - Aug 06 2023

web dec 4 2022 prentice hall united states history by emma j lapsansky werner 2009 pearson prentice hall edition in english indiana ed

prentice hall united states history reconstruction to the present - Nov 16 2021

la scienza per venezia recupero e salvataggio della città della - Sep 06 2022

web la scienza per venezia recupero e salvataggio della città della laguna di caroline fletcher jane da mosto allemandi prenotalo online su goodbook it e ritiralolo dal tuo

la scienza per venezia recupero e salvataggio della città della - Jul 04 2022

web la scienza per venezia recupero e salvataggio della città della laguna ediz inglese vol u anno di pubblicazione 2004 autore i caroline fletcher jane da mosto

la scienza per venezia recupero e salvataggio della città della - Sep 18 2023

web compra la scienza per venezia recupero e salvataggio della città della laguna ediz illustrata spedizione gratuita su ordini

idonei

la scienza per venezia recupero e salvataggio della città della - Apr 13 2023

web la scienza per venezia recupero e salvataggio della città della laguna ediz illustrata fletcher caroline da mosto jane amazon com au books

la scienza per venezia recupero e salvataggio della città della - Dec 09 2022

web la scienza per venezia recupero e salvataggio della città della laguna paperback amazon com mx libros

9788842213093 la scienza per venezia recupero e - Mar 12 2023

web abebooks com la scienza per venezia recupero e salvataggio della città della laguna 9788842213093 by fletcher caroline da mosto jane and a great selection of similar

la scienza per venezia recupero e salvataggio della città della - May 14 2023

web la scienza per venezia recupero e salvataggio della città della laguna ediz inglese fletcher caroline da mosto jane amazon it libri

la scienza per venezia recupero e salvataggio della città della - Feb 11 2023

web la scienza per venezia recupero e salvataggio della città della laguna ediz illustrata restauro de fletcher caroline da mosto jane en iberlibro com isbn 10

la scienza per venezia recupero e salvataggio della città della - Aug 05 2022

web la scienza per venezia recupero e salvataggio della città della laguna anno di pubblicazione 2004 autore i caroline fletcher acquistalo a partire da 0 00 con

la seconda rivoluzione scientifica scienze biologiche e medicina - Apr 01 2022

web la seconda rivoluzione scientifica scienze biologiche e medicina medicina tropicale helen power medicina tropicale la storia della medicina tropicale è strettamente legata

musei della scienza a venezia tripadvisor - Feb 28 2022

web musei della scienza a venezia vedi le recensioni e le foto su tripadvisor di musei della scienza a venezia italia

categoria scienza e tecnologia in venezuela wikipedia - Dec 29 2021

web questa pagina è stata modificata per l ultima volta il 12 giu 2020 alle 22 22 il testo è disponibile secondo la licenza creative commons attribuzione condividi allo stesso

la scienza per venezia recupero e salvataggio della città della - Jan 10 2023

web compra libro la scienza per venezia recupero e salvataggio della città della laguna di caroline fletcher jane da mosto edito da allemandi nella collana restauro su librerie

storia della scienza wikipedia - Jan 30 2022

web modello di vite d archimede utilizzabile per la sollevazione di materiali ad esempio per il pompaggio dell acqua nel periodo compreso tra il vi secolo a c e il v secolo la

la rivoluzione scientifica luoghi e forme della conoscenza le - May 02 2022

web le accademie motivi e caratteri ispiratori di saverio ricci la moderna accademia scientifica venne formandosi in italia al principio del xvii sec con tratti inizialmente

la scienza per venezia recupero e salvataggio della città - Jun 03 2022

web per venezia recupero e salvataggio della città venezia e il vino mappatura e salvataggio di antichi padoan fiducioso su recupero aiuti a banche venete la stampa lav venezia

la scienza per venezia recupero e salvataggio della città della - Oct 07 2022

web la scienza per venezia recupero e salvataggio della città della laguna ediz illustrata restauro von fletcher caroline da mosto jane bei abebooks de isbn 10

la scienza per venezia recupero e salvataggio della città della - Jul 16 2023

web la scienza per venezia recupero e salvataggio della città della laguna book read reviews from world s largest community for readers un secolo fa venez

la scienza per venezia recupero e salvataggio della città della - Jun 15 2023

web compre online la scienza per venezia recupero e salvataggio della città della laguna ediz illustrata de fletcher caroline da mosto jane na amazon frete grÁtis em

la scienza per venezia recupero e salvaguardia della città e - Aug 17 2023

web la scienza per venezia i rischi e il salvataggio della città piú bella del mondo un secolo fa venezia veniva colpita meno di dieci volte all anno dal fenomeno dell acqua alta dal

la scienza per venezia recupero e salvataggio della città - Nov 08 2022

web la scienza per venezia recupero e salvataggio della città della laguna ediz inglese by caroline fletcher may 21st 2020 premio nobel nel 1965 per i suoi studi