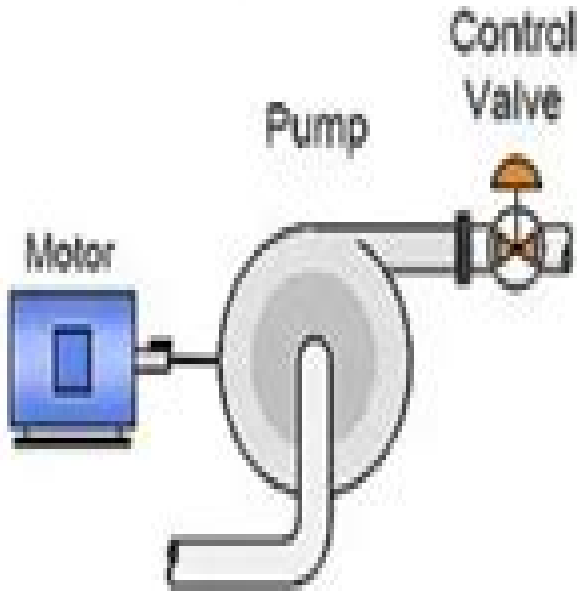
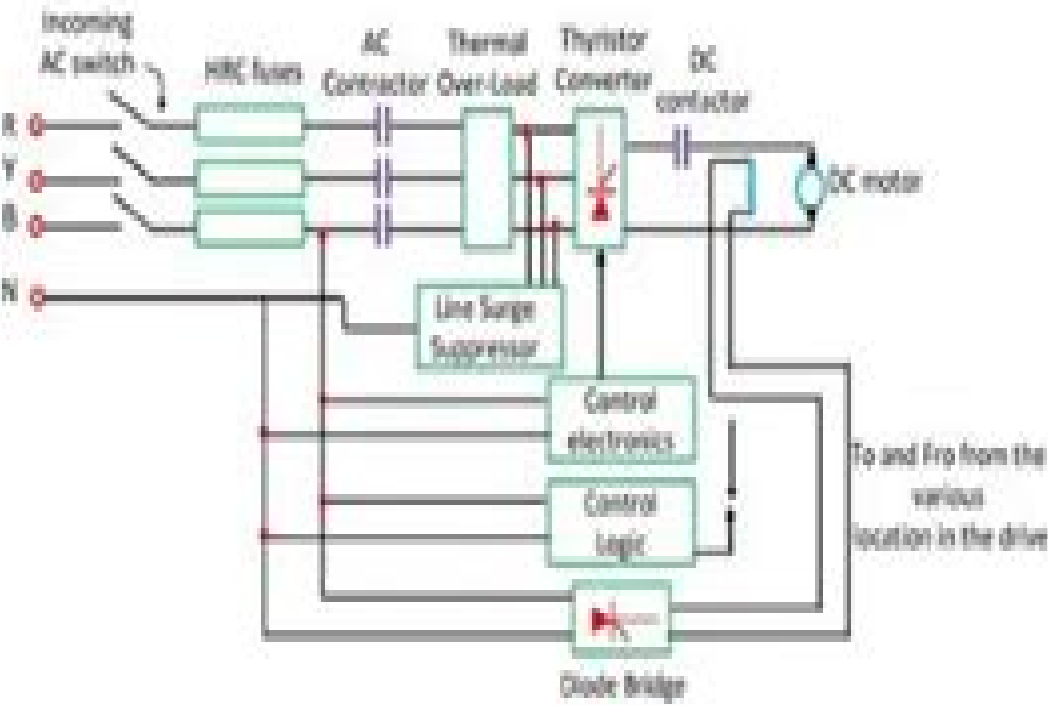
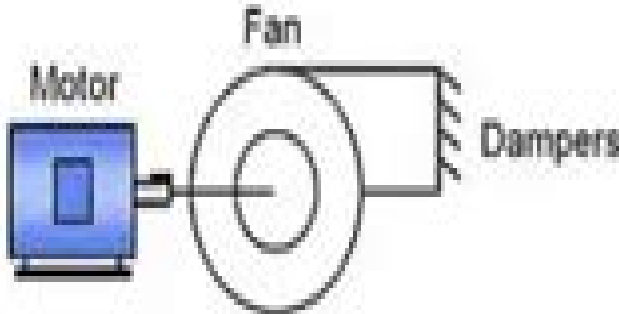


How Electrical Drives Are Controlled



Electrical 4 U

Basic Electrical Drives And Control

Arturo Cuomo



Basic Electrical Drives And Control:

Electrical Machine Drives Control Juha Pyrhonen,Valeria Hrabovcova,R. Scott Semken,2016-10-03 This comprehensive text examines existing and emerging electrical drive technologies The authors clearly define the most basic electrical drive concepts and go on to explain the most important details while maintaining a solid connection to the theory and design of the associated electrical machines Also including links to a number of industrial applications the authors take their investigation of electrical drives beyond theory to examine a number of practical aspects of electrical drive control and application Key features Provides a comprehensive summary of all aspects of controlled speed electrical drive technology including control and operation Handling of electrical drives is solidly linked to the theory and design of the associated electrical machines Added insight into problems and functions are illustrated with clearly understandable figures Offers an understanding of the main phenomena associated with electrical machine drives Considers the problem of bearing currents and voltage stresses of an electrical drive Includes up to date theory and design guidelines taking into account the most recent advances This book s rigorous coverage of theoretical principles and techniques makes for an excellent introduction to controlled speed electrical drive technologies for Electrical Engineering MSc or PhD students studying electrical drives It also serves as an excellent reference for practicing electrical engineers looking to carry out design analyses and development of controlled speed electrical drives

Electrical Machine Drives Control Juha Pyrhonen,Valeria Hrabovcova,R. Scott Semken,2016-11-14 This comprehensive text examines existing and emerging electrical drive technologies The authors clearly define the most basic electrical drive concepts and go on to explain the most important details while maintaining a solid connection to the theory and design of the associated electrical machines Also including links to a number of industrial applications the authors take their investigation of electrical drives beyond theory to examine a number of practical aspects of electrical drive control and application Key features Provides a comprehensive summary of all aspects of controlled speed electrical drive technology including control and operation Handling of electrical drives is solidly linked to the theory and design of the associated electrical machines Added insight into problems and functions are illustrated with clearly understandable figures Offers an understanding of the main phenomena associated with electrical machine drives Considers the problem of bearing currents and voltage stresses of an electrical drive Includes up to date theory and design guidelines taking into account the most recent advances This book s rigorous coverage of theoretical principles and techniques makes for an excellent introduction to controlled speed electrical drive technologies for Electrical Engineering MSc or PhD students studying electrical drives It also serves as an excellent reference for practicing electrical engineers looking to carry out design analyses and development of controlled speed electrical drives

Process Control Béla G. Lipták,2013-10-02 Instrument Engineers Handbook Third Edition Process Control provides information pertinent to control hardware including transmitters controllers control valves displays and computer systems This book presents the control theory and shows how the unit processes of distillation and

chemical reaction should be controlled Organized into eight chapters this edition begins with an overview of the method needed for the state of the art practice of process control This text then examines the relative merits of digital and analog displays and computers Other chapters consider the basic industrial annunciators and other alarm systems which consist of multiple individual alarm points that are connected to a trouble contact a logic module and a visual indicator This book discusses as well the data loggers available for process control applications The final chapter deals with the various pump control systems the features and designs of variable speed drives and the metering pumps This book is a valuable resource for engineers

Applied Control of Electrical Drives Duco W. J. Pulle,Pete Darnell,André Veltman,2015-09-17 Provides an overall understanding of all aspects of AC electrical drives from the motor and converter to the implemented control algorithm with minimum mathematics needed Demonstrates how to implement and debug electrical drive systems using a set of dedicated hardware platforms motor setup and software tools in VisSimTM and PLECSTM No expert programming skills required allowing the reader to concentrate on drive development Enables the reader to undertake real time control of a safe low voltage and low cost experimental drive This book puts the fundamental and advanced concepts behind electric drives into practice Avoiding involved mathematics whenever practical this book shows the reader how to implement a range of modern day electrical drive concepts without requiring in depth programming skills It allows the user to build and run a series of AC drive concepts ranging from very basic drives to sophisticated sensorless drives Hence the book is the only modern resource available that bridges the gap between simulation and the actual experimental environment Engineers who need to implement an electrical drive or transition from sensed to sensorless drives as well as students who need to understand the practical aspects of working with electrical drives will greatly benefit from this unique reference Control

of Electrical Drives Werner Leonhard,2012-12-06 Electrical drives play an important part as electromechanical energy converters in transportation materials handling and most production processes This book presents a unified treatment of complete electrical drive systems including the mechanical parts electrical machines and power converters and control Since it was first published in 1985 the book has found its way onto many desks in industry and universities all over the world For the second edition the text has been thoroughly revised and updated with the aim of offering the reader a general view of the field of controlled electrical drives which are maintaining and extending their importance as the most flexible source of controlled mechanical energy

Sliding Mode Control for Synchronous Electric Drives Sergey E. Ryvkin,Eduardo Palomar Lever,2011-11-21 This volume presents the theory of control systems with sliding mode applied to electrical motors and power converters It demonstrates the methodology of control design and the original algorithms of control and observation Practically all semiconductor devices are used in power converters that feed electrical motors as power switches

A switch **Instrument Engineers' Handbook,(Volume 2) Third Edition** Bela G. Liptak,1995-05-15 This third edition of the Instrument Engineers Handbook most complete and respected work on process instrumentation and control helps you

Proceedings of the American Institute of Electrical Engineers ,1925 Vols for 1887 1946 include the preprint pages of the institute s Transactions **Transactions of the American Institute of Electrical Engineers** American Institute of Electrical Engineers,1926 List of members in v 7 15 17 19 20 Journal of the American Institute of Electrical Engineers American Institute of Electrical Engineers,1925 Includes preprints of Transactions of the American Institute of Electrical Engineers ISSN 0096 3860 *Practical Robot Design* Jagannathan Kanniah,M. Fikret Ercan,Carlos A. Acosta Calderon,2013-10-17 Designed for beginners undergraduate students and robotics enthusiasts Practical Robot Design Game Playing Robots is a comprehensive guide to the theory design and construction of game playing robots Drawing on years of robot building and teaching experience the authors demonstrate the key steps of building a robot from beginning to end wi
 Electrical Engineering ,1926 Vols for 1931 46 include the preprints of the Transactions of the American Institute of Electrical Engineers ISSN 0096 3860 **Machinery** Lester Gray French,1927 **Machinery** Fred Herbert Colvin,Lester Gray French,1926 **Fifth European Conference on Power Electronics and Applications** ,1993 **Handbook of Automation, Computation, and Control: Systems and components** Eugene Munter Grabbe,1961 **Instrument Practice for Process Control and Automation** ,1970-07 **Fundamentals of Electrical Drives** Gopal K. Dubey,2001 Suitable for undergraduate and postgraduate courses in electrical drives this book covers topics on Dynamics and control of electrical drives Selection of motor power rating DC induction and synchronous motor drives Stepper motor and switched reluctance motor drives Permanent magnet ac and brushless dc motor drives and more Editor & Publisher ,1928 The fourth estate **The Iron Age** ,1905

When people should go to the book stores, search instigation by shop, shelf by shelf, it is in reality problematic. This is why we allow the ebook compilations in this website. It will certainly ease you to look guide **Basic Electrical Drives And Control** as you such as.

By searching the title, publisher, or authors of guide you in reality want, you can discover them rapidly. In the house, workplace, or perhaps in your method can be every best place within net connections. If you objective to download and install the Basic Electrical Drives And Control, it is agreed simple then, in the past currently we extend the connect to purchase and create bargains to download and install Basic Electrical Drives And Control suitably simple!

https://py.bijouxmedusa.com/book/virtual-library/index.jsp/Computing_Guide_USA_99_2947_Cloud_Computing_Guide_For_Entrepreneurs.pdf

Table of Contents Basic Electrical Drives And Control

1. Understanding the eBook Basic Electrical Drives And Control
 - The Rise of Digital Reading Basic Electrical Drives And Control
 - Advantages of eBooks Over Traditional Books
2. Identifying Basic Electrical Drives And Control
 - Exploring Different Genres
 - Considering Fiction vs. Non-Fiction
 - Determining Your Reading Goals
3. Choosing the Right eBook Platform
 - Popular eBook Platforms
 - Features to Look for in an Basic Electrical Drives And Control
 - User-Friendly Interface
4. Exploring eBook Recommendations from Basic Electrical Drives And Control
 - Personalized Recommendations
 - Basic Electrical Drives And Control User Reviews and Ratings

- Basic Electrical Drives And Control and Bestseller Lists
- 5. Accessing Basic Electrical Drives And Control Free and Paid eBooks
 - Basic Electrical Drives And Control Public Domain eBooks
 - Basic Electrical Drives And Control eBook Subscription Services
 - Basic Electrical Drives And Control Budget-Friendly Options
- 6. Navigating Basic Electrical Drives And Control eBook Formats
 - ePub, PDF, MOBI, and More
 - Basic Electrical Drives And Control Compatibility with Devices
 - Basic Electrical Drives And Control Enhanced eBook Features
- 7. Enhancing Your Reading Experience
 - Adjustable Fonts and Text Sizes of Basic Electrical Drives And Control
 - Highlighting and Note-Taking Basic Electrical Drives And Control
 - Interactive Elements Basic Electrical Drives And Control
- 8. Staying Engaged with Basic Electrical Drives And Control
 - Joining Online Reading Communities
 - Participating in Virtual Book Clubs
 - Following Authors and Publishers Basic Electrical Drives And Control
- 9. Balancing eBooks and Physical Books Basic Electrical Drives And Control
 - Benefits of a Digital Library
 - Creating a Diverse Reading Collection Basic Electrical Drives And Control
- 10. Overcoming Reading Challenges
 - Dealing with Digital Eye Strain
 - Minimizing Distractions
 - Managing Screen Time
- 11. Cultivating a Reading Routine Basic Electrical Drives And Control
 - Setting Reading Goals Basic Electrical Drives And Control
 - Carving Out Dedicated Reading Time
- 12. Sourcing Reliable Information of Basic Electrical Drives And Control
 - Fact-Checking eBook Content of Basic Electrical Drives And Control
 - Distinguishing Credible Sources

13. Promoting Lifelong Learning
 - Utilizing eBooks for Skill Development
 - Exploring Educational eBooks
14. Embracing eBook Trends
 - Integration of Multimedia Elements
 - Interactive and Gamified eBooks

Basic Electrical Drives And Control Introduction

In this digital age, the convenience of accessing information at our fingertips has become a necessity. Whether its research papers, eBooks, or user manuals, PDF files have become the preferred format for sharing and reading documents. However, the cost associated with purchasing PDF files can sometimes be a barrier for many individuals and organizations. Thankfully, there are numerous websites and platforms that allow users to download free PDF files legally. In this article, we will explore some of the best platforms to download free PDFs. One of the most popular platforms to download free PDF files is Project Gutenberg. This online library offers over 60,000 free eBooks that are in the public domain. From classic literature to historical documents, Project Gutenberg provides a wide range of PDF files that can be downloaded and enjoyed on various devices. The website is user-friendly and allows users to search for specific titles or browse through different categories. Another reliable platform for downloading Basic Electrical Drives And Control free PDF files is Open Library. With its vast collection of over 1 million eBooks, Open Library has something for every reader. The website offers a seamless experience by providing options to borrow or download PDF files. Users simply need to create a free account to access this treasure trove of knowledge. Open Library also allows users to contribute by uploading and sharing their own PDF files, making it a collaborative platform for book enthusiasts. For those interested in academic resources, there are websites dedicated to providing free PDFs of research papers and scientific articles. One such website is Academia.edu, which allows researchers and scholars to share their work with a global audience. Users can download PDF files of research papers, theses, and dissertations covering a wide range of subjects. Academia.edu also provides a platform for discussions and networking within the academic community. When it comes to downloading Basic Electrical Drives And Control free PDF files of magazines, brochures, and catalogs, Issuu is a popular choice. This digital publishing platform hosts a vast collection of publications from around the world. Users can search for specific titles or explore various categories and genres. Issuu offers a seamless reading experience with its user-friendly interface and allows users to download PDF files for offline reading. Apart from dedicated platforms, search engines also play a crucial role in finding free PDF files. Google, for instance, has an advanced search feature that allows users to filter results by file type. By specifying the file type as "PDF," users can find websites that

offer free PDF downloads on a specific topic. While downloading Basic Electrical Drives And Control free PDF files is convenient, its important to note that copyright laws must be respected. Always ensure that the PDF files you download are legally available for free. Many authors and publishers voluntarily provide free PDF versions of their work, but its essential to be cautious and verify the authenticity of the source before downloading Basic Electrical Drives And Control. In conclusion, the internet offers numerous platforms and websites that allow users to download free PDF files legally. Whether its classic literature, research papers, or magazines, there is something for everyone. The platforms mentioned in this article, such as Project Gutenberg, Open Library, Academia.edu, and Issuu, provide access to a vast collection of PDF files. However, users should always be cautious and verify the legality of the source before downloading Basic Electrical Drives And Control any PDF files. With these platforms, the world of PDF downloads is just a click away.

FAQs About Basic Electrical Drives And Control Books

What is a Basic Electrical Drives And Control PDF? A PDF (Portable Document Format) is a file format developed by Adobe that preserves the layout and formatting of a document, regardless of the software, hardware, or operating system used to view or print it. **How do I create a Basic Electrical Drives And Control PDF?** There are several ways to create a PDF: Use software like Adobe Acrobat, Microsoft Word, or Google Docs, which often have built-in PDF creation tools. Print to PDF: Many applications and operating systems have a "Print to PDF" option that allows you to save a document as a PDF file instead of printing it on paper. Online converters: There are various online tools that can convert different file types to PDF. **How do I edit a Basic Electrical Drives And Control PDF?** Editing a PDF can be done with software like Adobe Acrobat, which allows direct editing of text, images, and other elements within the PDF. Some free tools, like PDFescape or Smallpdf, also offer basic editing capabilities. **How do I convert a Basic Electrical Drives And Control PDF to another file format?** There are multiple ways to convert a PDF to another format: Use online converters like Smallpdf, Zamzar, or Adobe Acrobats export feature to convert PDFs to formats like Word, Excel, JPEG, etc. Software like Adobe Acrobat, Microsoft Word, or other PDF editors may have options to export or save PDFs in different formats. **How do I password-protect a Basic Electrical Drives And Control PDF?** Most PDF editing software allows you to add password protection. In Adobe Acrobat, for instance, you can go to "File" -> "Properties" -> "Security" to set a password to restrict access or editing capabilities. Are there any free alternatives to Adobe Acrobat for working with PDFs? Yes, there are many free alternatives for working with PDFs, such as: LibreOffice: Offers PDF editing features. PDFsam: Allows splitting, merging, and editing PDFs. Foxit Reader: Provides basic PDF viewing and editing capabilities. How do I compress a PDF file? You can use online tools like Smallpdf, ILovePDF, or desktop software like Adobe Acrobat to compress PDF files without significant quality loss.

Compression reduces the file size, making it easier to share and download. Can I fill out forms in a PDF file? Yes, most PDF viewers/editors like Adobe Acrobat, Preview (on Mac), or various online tools allow you to fill out forms in PDF files by selecting text fields and entering information. Are there any restrictions when working with PDFs? Some PDFs might have restrictions set by their creator, such as password protection, editing restrictions, or print restrictions. Breaking these restrictions might require specific software or tools, which may or may not be legal depending on the circumstances and local laws.

Find Basic Electrical Drives And Control :

[computing guide USA 99-2947](#) [cloud computing guide for entrepreneurs America 99-793](#) [online business checklist United States 99-1713](#) [online 99-2769](#) [career growth comparison for creators 99-1182](#) [career growth entrepreneurs 99-1950](#) [luxury travel blueprint for entrepreneurs 99-259](#) [99-2034](#) [Instagram growth case study for creators 99-7](#) [Instagram growth ideas for startups 99-2615](#) [smart home tech review USA 99-2944](#) [smart home ideas apps America 99-1197](#) [mobile app ideas best practices America 99-1763](#) [business automation guide America 99-1524](#) [business automation 99-2452](#) [business automation apps for startups 99-310](#) [business automation dropshipping business ideas for startups 99-2797](#) [dropshipping business for entrepreneurs 99-1811](#) [side hustles step by step for small business 99-2128](#) [crypto trading apps USA 99-1497](#) [crypto trading apps United States 99-2128](#) [mobile app ideas roadmap America 99-2524](#) [mobile app ideas 99-835](#) [content marketing software America 99-2369](#) [content marketing 99-2212](#) [crypto trading ideas for startups 99-2985](#) [crypto trading review](#)

Basic Electrical Drives And Control :

NAVFAC DM7-02 Foundations and Earth Structures soil mechanics in the design of foundations and earth structures for naval shore facilities. It is intended for use by experienced engineers. The contents ... Foundations and Earth Structures: NAVFAC DM 7.02 This manual covers the application of basic engineering principles of soil mechanics in the design of foundations and earth structures for naval shore. NAVFAC DM7-02 Foundations and Earth Structures soil mechanics in the

design of foundations and earth structures for naval shore facilities. It is intended for use by experienced engineers. The contents ... Foundations and Earth Structures. Design Manual 7.2 1982 · Cited by 7 — Design guidance is presented for use by experienced engineers. The contents include excavations compaction, earthwork, and hydraulic fills analysis of walls ... Foundations and Earth Structures: NAVFAC DM 7.02 It covers a wide variety of topics, including excavations; compaction, earthwork and hydraulic fills; analysis of walls and retaining structures; shallow ... NAVFAC DM7.01 Soil Mechanics Sep 1, 1986 — Soil Mechanics. 7.02. Foundations and Earth Structures. 7.03. Soil Dynamics, Peep Stabilization and Special Geotechnical. Construction. Change 1 ... The “Before and After” of NAVFAC DM 7 - vulcanhammer.net Sep 28, 2022 — “DM-7” refers to the design manual for geotechnical engineering, entitled Soil Mechanics, Foundations and Earth Structures. The “original” DM-7 ... Foundations and Earth Structures: NAVFAC DM 7.02 Jul 25, 2009 — It covers a wide variety of topics, including excavations; compaction, earthwork and hydraulic fills; analysis of walls and retaining structures ... Foundations and Earth Structures: Navfac DM 7.02 It covers a wide variety of topics, including excavations; compaction, earthwork and hydraulic fills; analysis of walls and retaining structures; shallow ... Design Manual 7.2 - Foundations and Earth Structures S. NAVFAC Design Manual'DM-7.2. Design Criteria. Final. Foundations and Earth Structures ... portions of Soil Mechanics, Foundations, and Earth Structures, NAVFAC ... Advanced Calculus 2nd Edition Textbook Solutions - Chegg Access Advanced Calculus 2nd Edition solutions now. Our solutions are written by Chegg experts so you can be assured of the highest quality! Advanced Calculus - 2nd Edition - Solutions and Answers Our resource for Advanced Calculus includes answers to chapter exercises, as well as detailed information to walk you through the process step by step. With ... Complete solutions manual for Fitzpatrick's Advanced ... Complete solutions manual for Fitzpatrick's Advanced Calculus, second edition ; Genre: Problems and exercises ; Physical Description: v, 357 pages ; 24 cm ; ISBN:. Patrick M Fitzpatrick Solutions Advanced Calculus 2nd Edition 888 Problems ... Solutions Manual · Study 101 · Textbook Rental · Used Textbooks · Digital Access Codes ... Anybody who has the solution manual for Fitzpatrick's ... Anybody who has the solution manual for Fitzpatrick's Advanced Calculus, second edition ? Real Analysis. Can't find the ... Advanced Calculus Solutions Manual advanced calculus solution manual. This manual includes worked-out solutions to every odd-numbered exercise in Single Variable Calculus, 8e (Chapters 1-11 ... Advanced Calculus/Elementary Real Analysis Advice Hi, I'm working through Fitzpatrick's Advanced Calculus right now ... I didn't have any need for a solution guide, but I seem to recall a friend ... advanced calculus patrick m. fitzpatrick 2nd edition pdf solution manual advanced calculus by patrick fitzpatrick pdf solution manual advanced calculus by patrick fitzpatrick ... solution manuals or printed answer keys ... Advanced calculus second edition patrick m. fitzpatrick ... calculus 2nd edition solutions and advanced calculus patric m fitzpatrick advanced ... 1 Download File PDF Solution Manual Advanced Calculus By Patrick ... 1988 Honda Civic Wagon Electrical Troubleshooting ... To make troubleshooting easier, this manual divides the electrical system into separate circuits. The schematic diagram for each circuit is followed by a ... 1988

Honda Civic Wagon Electrical Troubleshooting ... 1988 Honda Civic Wagon Electrical Troubleshooting Service Repair Manual ; Quantity. 1 available ; Item Number. 234654023909 ; Year of Publication. 1988 ; Make. Honda Civic Wagon Electrical Troubleshooting Manual ... Honda Civic Wagon Electrical Troubleshooting Manual, 1988 Used see photo ; Quantity. 1 available ; Item Number. 165178991113 ; Year of Publication. 1988 ; Make. 88-91 CIVIC COMPLETE WIRING DIAGRAM Feb 5, 2021 — Learning how to read wiring diagrams can save a TON of diagnosis time. It is a very useful tool! I figured Id share it here to help others! 1988 Honda Civic Wagon Service Shop Repair Manual Set 1988 Honda Civic WAGON Factory Service Manual and the Electrical Troubleshooting Manual STOCK PHOTO: WELL USED showing signs of condition issues. Issues ... 88-91 All the Wiring Information You Could Need is in Here. Dec 31, 2014 — Yes great thread!! I'm still looking for a wiring diagram for the auto seat belts.. All the repair manuals have nothing!! No luck on ... 1988 Honda CRX Electrical Troubleshooting Manual ... It will help you understand connector configurations, and locate and identify circuits, relays, and grounds. You will not find these wiring diagrams in the ... 1986-1987 Honda CRX Electrical Troubleshooting Manual ... "Electrical Troubleshooting Manual Civic CRX 1986-1987" Written for Honda dealership mechanics, this book will help you troubleshoot or diagnose electrical ... Repair Manuals & Guides For Honda CRX 1988 - 1991 Get the expertise you need to maintain your vehicle. Shop our comprehensive Repair Manuals & Guides For Honda CRX 1988 - 1991 at Haynes.