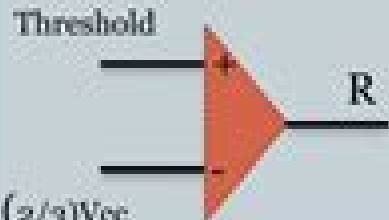
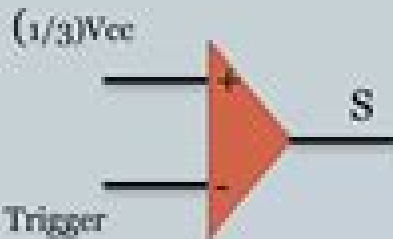


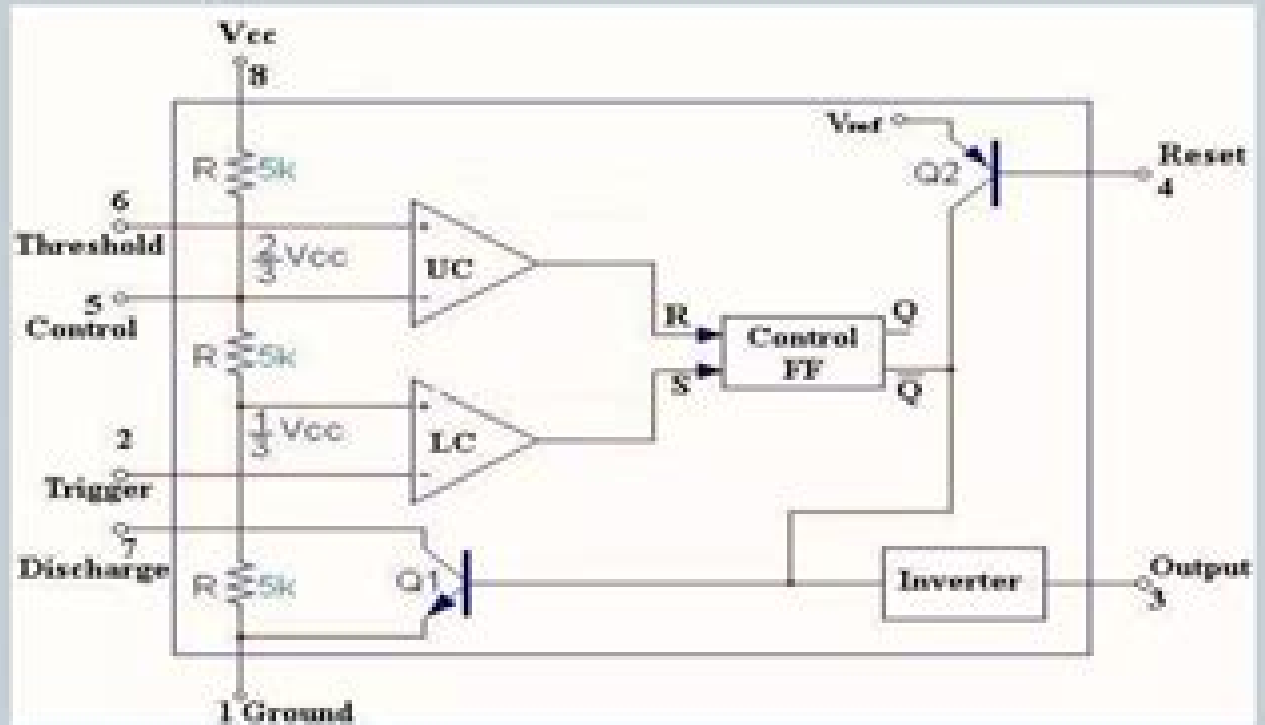
# Functional diagram of 555 timer



Threshold  $> (2/3)V_{cc} \Rightarrow R = \text{logic '1'}$   
Threshold  $< (2/3)V_{cc} \Rightarrow R = \text{logic '0'}$



Trigger  $< (1/3)V_{cc} \Rightarrow S = \text{logic '1'}$   
Trigger  $> (1/3)V_{cc} \Rightarrow S = \text{logic '0'}$



# 555 Timer And Its Applications

**Howard M. Berlin**



## **555 Timer And Its Applications:**

If you ally dependence such a referred **555 Timer And Its Applications** book that will meet the expense of you worth, get the utterly best seller from us currently from several preferred authors. If you want to witty books, lots of novels, tale, jokes, and more fictions collections are next launched, from best seller to one of the most current released.

You may not be perplexed to enjoy every ebook collections 555 Timer And Its Applications that we will very offer. It is not in this area the costs. Its practically what you compulsion currently. This 555 Timer And Its Applications, as one of the most dynamic sellers here will completely be among the best options to review.

[https://py.bijouxmedusa.com/public/publication/HomePages/cadence\\_orcad\\_pcb\\_designer\\_university\\_of.pdf](https://py.bijouxmedusa.com/public/publication/HomePages/cadence_orcad_pcb_designer_university_of.pdf)

## **Table of Contents 555 Timer And Its Applications**

1. Understanding the eBook 555 Timer And Its Applications
  - The Rise of Digital Reading 555 Timer And Its Applications
  - Advantages of eBooks Over Traditional Books
2. Identifying 555 Timer And Its Applications
  - Exploring Different Genres
  - Considering Fiction vs. Non-Fiction
  - Determining Your Reading Goals
3. Choosing the Right eBook Platform
  - Popular eBook Platforms
  - Features to Look for in an 555 Timer And Its Applications
  - User-Friendly Interface
4. Exploring eBook Recommendations from 555 Timer And Its Applications
  - Personalized Recommendations
  - 555 Timer And Its Applications User Reviews and Ratings
  - 555 Timer And Its Applications and Bestseller Lists
5. Accessing 555 Timer And Its Applications Free and Paid eBooks

- 555 Timer And Its Applications Public Domain eBooks
  - 555 Timer And Its Applications eBook Subscription Services
  - 555 Timer And Its Applications Budget-Friendly Options
6. Navigating 555 Timer And Its Applications eBook Formats
    - ePub, PDF, MOBI, and More
    - 555 Timer And Its Applications Compatibility with Devices
    - 555 Timer And Its Applications Enhanced eBook Features
  7. Enhancing Your Reading Experience
    - Adjustable Fonts and Text Sizes of 555 Timer And Its Applications
    - Highlighting and Note-Taking 555 Timer And Its Applications
    - Interactive Elements 555 Timer And Its Applications
  8. Staying Engaged with 555 Timer And Its Applications
    - Joining Online Reading Communities
    - Participating in Virtual Book Clubs
    - Following Authors and Publishers 555 Timer And Its Applications
  9. Balancing eBooks and Physical Books 555 Timer And Its Applications
    - Benefits of a Digital Library
    - Creating a Diverse Reading Collection 555 Timer And Its Applications
  10. Overcoming Reading Challenges
    - Dealing with Digital Eye Strain
    - Minimizing Distractions
    - Managing Screen Time
  11. Cultivating a Reading Routine 555 Timer And Its Applications
    - Setting Reading Goals 555 Timer And Its Applications
    - Carving Out Dedicated Reading Time
  12. Sourcing Reliable Information of 555 Timer And Its Applications
    - Fact-Checking eBook Content of 555 Timer And Its Applications
    - Distinguishing Credible Sources
  13. Promoting Lifelong Learning
    - Utilizing eBooks for Skill Development

- Exploring Educational eBooks
14. Embracing eBook Trends
- Integration of Multimedia Elements
  - Interactive and Gamified eBooks

### **555 Timer And Its Applications Introduction**

In this digital age, the convenience of accessing information at our fingertips has become a necessity. Whether its research papers, eBooks, or user manuals, PDF files have become the preferred format for sharing and reading documents. However, the cost associated with purchasing PDF files can sometimes be a barrier for many individuals and organizations. Thankfully, there are numerous websites and platforms that allow users to download free PDF files legally. In this article, we will explore some of the best platforms to download free PDFs. One of the most popular platforms to download free PDF files is Project Gutenberg. This online library offers over 60,000 free eBooks that are in the public domain. From classic literature to historical documents, Project Gutenberg provides a wide range of PDF files that can be downloaded and enjoyed on various devices. The website is user-friendly and allows users to search for specific titles or browse through different categories. Another reliable platform for downloading 555 Timer And Its Applications free PDF files is Open Library. With its vast collection of over 1 million eBooks, Open Library has something for every reader. The website offers a seamless experience by providing options to borrow or download PDF files. Users simply need to create a free account to access this treasure trove of knowledge. Open Library also allows users to contribute by uploading and sharing their own PDF files, making it a collaborative platform for book enthusiasts. For those interested in academic resources, there are websites dedicated to providing free PDFs of research papers and scientific articles. One such website is Academia.edu, which allows researchers and scholars to share their work with a global audience. Users can download PDF files of research papers, theses, and dissertations covering a wide range of subjects. Academia.edu also provides a platform for discussions and networking within the academic community. When it comes to downloading 555 Timer And Its Applications free PDF files of magazines, brochures, and catalogs, Issuu is a popular choice. This digital publishing platform hosts a vast collection of publications from around the world. Users can search for specific titles or explore various categories and genres. Issuu offers a seamless reading experience with its user-friendly interface and allows users to download PDF files for offline reading. Apart from dedicated platforms, search engines also play a crucial role in finding free PDF files. Google, for instance, has an advanced search feature that allows users to filter results by file type. By specifying the file type as "PDF," users can find websites that offer free PDF downloads on a specific topic. While downloading 555 Timer And Its Applications free PDF files is convenient, its important to note that copyright laws must be respected. Always ensure that the PDF files you download are legally

available for free. Many authors and publishers voluntarily provide free PDF versions of their work, but its essential to be cautious and verify the authenticity of the source before downloading 555 Timer And Its Applications. In conclusion, the internet offers numerous platforms and websites that allow users to download free PDF files legally. Whether its classic literature, research papers, or magazines, there is something for everyone. The platforms mentioned in this article, such as Project Gutenberg, Open Library, Academia.edu, and Issuu, provide access to a vast collection of PDF files. However, users should always be cautious and verify the legality of the source before downloading 555 Timer And Its Applications any PDF files. With these platforms, the world of PDF downloads is just a click away.

### FAQs About 555 Timer And Its Applications Books

**What is a 555 Timer And Its Applications PDF?** A PDF (Portable Document Format) is a file format developed by Adobe that preserves the layout and formatting of a document, regardless of the software, hardware, or operating system used to view or print it. **How do I create a 555 Timer And Its Applications PDF?** There are several ways to create a PDF: Use software like Adobe Acrobat, Microsoft Word, or Google Docs, which often have built-in PDF creation tools. Print to PDF: Many applications and operating systems have a "Print to PDF" option that allows you to save a document as a PDF file instead of printing it on paper. Online converters: There are various online tools that can convert different file types to PDF. **How do I edit a 555 Timer And Its Applications PDF?** Editing a PDF can be done with software like Adobe Acrobat, which allows direct editing of text, images, and other elements within the PDF. Some free tools, like PDFescape or Smallpdf, also offer basic editing capabilities. **How do I convert a 555 Timer And Its Applications PDF to another file format?** There are multiple ways to convert a PDF to another format: Use online converters like Smallpdf, Zamzar, or Adobe Acrobats export feature to convert PDFs to formats like Word, Excel, JPEG, etc. Software like Adobe Acrobat, Microsoft Word, or other PDF editors may have options to export or save PDFs in different formats. **How do I password-protect a 555 Timer And Its Applications PDF?** Most PDF editing software allows you to add password protection. In Adobe Acrobat, for instance, you can go to "File" -> "Properties" -> "Security" to set a password to restrict access or editing capabilities. Are there any free alternatives to Adobe Acrobat for working with PDFs? Yes, there are many free alternatives for working with PDFs, such as: LibreOffice: Offers PDF editing features. PDFsam: Allows splitting, merging, and editing PDFs. Foxit Reader: Provides basic PDF viewing and editing capabilities. How do I compress a PDF file? You can use online tools like Smallpdf, ILovePDF, or desktop software like Adobe Acrobat to compress PDF files without significant quality loss. Compression reduces the file size, making it easier to share and download. Can I fill out forms in a PDF file? Yes, most PDF viewers/editors like Adobe Acrobat, Preview (on Mac), or various online tools allow you to fill out forms in PDF files by selecting text fields and entering

information. Are there any restrictions when working with PDFs? Some PDFs might have restrictions set by their creator, such as password protection, editing restrictions, or print restrictions. Breaking these restrictions might require specific software or tools, which may or may not be legal depending on the circumstances and local laws.

**Find 555 Timer And Its Applications :**

**cadence orcad pcb designer university of**

*career objective civil engineer examples*

~~cafeteria ordering system document~~

cambridge ielts 4 set examination papers from university of cambridge esol examinations

**cambridge biology igcse revision cambridge igcse revision s**

campbell biology 9th edition chapter outlines

~~caia level 1 schweser study s~~

*by danica g hays developing multicultural counseling competence a systems approach merrill counseling 1st edition*

by james rachels problems from philosophy 3rd

campbell biology 9th edition ap

c the complete reference 4th ed

**calculus concepts and contexts solutions manual pdf**

cambridge advanced learners dictionary third edition

**calculus by howard anton 5th edition**

car parts guide

**555 Timer And Its Applications :**

**quiz worksheet quadratic equations study com** - Jun 10 2022

how to use the quadratic formula to solve a quadratic equation quiz how to solve quadratics that are not in standard form

quiz solving quadratic inequalities using two binomials quiz

section 2 quadratic functions uc santa barbara - May 21 2023

objective 1 students will learn to draw three parabolas and accurately on grid paper most or all students in algebra 2 have

seen analyzed and graphed quadratic functions in fact these are usually the first curves studied by high school math students

unit 8 test study guide quadratic equations answer key - Jun 22 2023

unit 8 test study guide quadratic equations answer key free download as pdf file pdf text file txt or read online for free algebra 1

[quadratic equations quiz flashcards quizlet](#) - Jan 17 2023

standard form  $y = ax^2 + bx + c$  vertical stretch and shrink how the value of  $a$  effects the shape of the graph  $a > 1$  get narrow  $a$  between 0 and 1 get wider study with quizlet and memorize flashcards containing terms like quadratic equation simplest form of a quadratic equation vertical translation and more

[quadratic vocabulary quiz mcq test proprofs quiz](#) - Feb 06 2022

mar 21 2022  $a$  an equation that has something raised to the second power  $b$  an equation that has  $2x$  as one of its terms  $c$  an equation that has no power that is greater than 2  $d$  an equation where  $x$  is raised to the second power and that is

[quadratic functions and equations college algebra math khan academy](#) - Dec 16 2022

unit 5 quadratic functions and equations unit 6 complex numbers unit 7 exponents and radicals unit 8 rational expressions and equations unit 9 relating algebra and geometry unit 10 polynomial arithmetic unit 11 advanced function types unit 12 transformations of functions unit 13 rational exponents and radicals

**quadratic equations functions algebra all content khan academy** - Apr 20 2023

test your understanding of quadratic equations functions with these numbers questions start test this topic covers solving quadratic equations graphing quadratic functions features of quadratic functions quadratic equations functions word problems systems of quadratic equations quadratic inequalities

**lesson 37 graphing quadratic equations literacy minnesota** - Mar 07 2022

an equation is a quadratic equation if the highest exponent of the variable is 2 some examples of quadratic equations are  $x^2 - 6x + 10 = 0$  and  $6x^2 - 8x + 22 = 0$  a quadratic equation can be written in the form  $ax^2 + bx + c = 0$  the  $a$  represents the coefficient the number in

**math 9 1st periodical test with key answers 2022 2023** - May 09 2022

it divides the graph of quadratic function into two parts such that one half of the graph is a reflection of the other half  $a$  axis of symmetry  $b$  range  $c$  domain  $d$  vertex 2 11 it is a polynomial equation of degree two that can be written in the form  $ax^2 + bx + c = 0$  where  $a$ ,  $b$  and  $c$  are real numbers and  $a \neq 0$

**9 solving quadratic equations big ideas learning** - Mar 19 2023

learn how to solve quadratic equations using different methods such as factoring completing the square and the quadratic formula this pdf is a chapter from the big ideas math algebra 1 textbook which provides clear explanations examples and exercises for students

**quiz solving quadratic equations cliffsnotes** - Aug 12 2022

quadratic equations solving quadratic equations quiz solving quadratic equations word problems solving technique key words and phrases simple interest compound interest ratio and proportion percent percent change number problems age problems motion problems coin problems mixture problems work problems number problems with

**quadratic equations questions quadratic equations questions** - Nov 15 2022

quadratic equation questions are provided here for class 10 students a quadratic equation is a second degree polynomial which is represented as  $ax^2 + bx + c = 0$  where  $a$  is not equal to 0 here  $a$ ,  $b$  and  $c$  are constants also called coefficients and  $x$  is an unknown variable also learn quadratic formula here

**unit 11 quadratics homework packet central bucks school district** - Sep 13 2022

use the quadratic formula to solve each quadratic equation no decimal answers 59 solve  $x^2 - 6x - 7 = 0$  60 solve  $x^2 - 2x - 15 = 0$  61 solve  $x^2 - 12x + 36 = 0$  62 solve  $4x^2 - 8x + 3 = 0$  63 solve  $3y^2 + y - 1 = 0$  64 solve  $x^2 - 6x + 3 = 0$   $a = b$ ,  $b = ac$ ,  $x = 2$ ,  $r = 2$ ,  $4 = a$ ,  $b = c$ ,  $a = b = c$

**quadratic equations practice test questions and answers** - Aug 24 2023

aug 29 2023  $a$  axis  $x = 4$  range 1 infinity explanation the given quadratic function is in the form of  $f(x) = x^2 - 8x + 15$  to find the axis of symmetry we can use the formula  $x = -b/2a$  where  $a$ ,  $b$  and  $c$  are coefficients of the quadratic equation in this case  $a = 1$  and  $b = 8$

answers a illustrations of quadratic equations pdf quadratic - Oct 14 2022

problem 1 find the sum and product of roots of the quadratic equation given below  $x^2 - 5x + 6 = 0$  solution comparing  $x^2 - 5x + 6 = 0$  and  $ax^2 + bx + c = 0$  we get  $a = 1$ ,  $b = 5$  and  $c = 6$  therefore sum of the roots  $b/a = 5/1 = 5$  product of the roots  $c/a = 6/1 = 6$  problem 2 find the sum and product of roots of the quadratic

*quadratics unit test quadratics khan academy* - Jul 23 2023

unit test learn for free about math art computer programming economics physics chemistry biology medicine finance history and more khan academy is a nonprofit with the mission of providing a free world class education for anyone anywhere

**8 1 additional practice flashcards quizlet** - Jul 11 2022

$y = 3x^2$ ,  $y = 5x^2$ ,  $y = 1x^2$ ,  $y = 5x^2$  which graph is the widest  $y = 3x^2$ ,  $y = 5x^2$ ,  $y = 1x^2$ ,  $y = x^2$  which graph is the narrowest  $y = 4x^2$ ,  $y = 2x^2$ ,  $y = 6x^2$ ,  $y = 6x^2$  key features of quadratic functions learn with flashcards games and more for free

quadratic quest answer key 2013 thecontemporaryaustin - Apr 08 2022

quadratic quest answer key downloaded from 2013 thecontemporaryaustin.org by guest choi haynes algebra 1 john wiley sons springboard mathematics is a highly engaging student centered instructional program this revised edition of springboard is based on the standards defined by the college and career

quadratic equation worksheets with answer keys free pdfs to - Sep 25 2023

each one has model problems worked out step by step practice problems as well as challenge questions at the sheets end plus each one comes with an answer key solve quadratic equations by factoring solve quadratic equations by completing the

square quadratic formula worksheets

**7 3 solve quadratic equations using the quadratic formula** - Feb 18 2023

feb 3 2021 key concepts quadratic formula the solutions to a quadratic equation of the form  $ax^2 + bx + c = 0$  are given by the formula  $x = \frac{-b \pm \sqrt{b^2 - 4ac}}{2a}$  how to solve a quadratic equation using the quadratic formula write the quadratic equation in standard form  $ax^2 + bx + c = 0$

**accounting cheat sheet studocu** - Jul 20 2023

web balance sheet statement of financial position shows the ending balances of assets liabilities and equity at the end of the accounting period mechanics assets always equal liabilities plus equity which forms the accounting equation  $1400 = 90 + 200 + 40 + 1300 + 405 + 705 + 1175 + 427 + 11$  accounting cheat sheet by john gillingham cpa all rights

**final exam cheat sheet acct 2301 cheat sheet chapter 1 studocu** - Aug 21 2023

web chp 1 practice accounting test prep acct 2301 cheat sheet four basic financial statements a balance sheet b income statement c statement of cash flows d statement of stockholders equity net income equation a revenues minus expenses

**financial accounting final exam cheat sheet studocu** - May 18 2023

web financial accounting ayb200 cheat sheet for final exam of sem 1 2019 based on final exam hints provided by lecturer change print layout to 8 pages per page to use in exam assets

*accounting final exam cheat sheet docx final exam cheat* - Jan 14 2023

web final exam cheat sheet emily hadfield december 2016 cash and cash equivalents cash on hand and in the banks including checks 1 extremely short term investments of three months or less very low risk marketable securities investments in stocks and securities of other companies 1

*financial accounting final exam cheat sheet flashcards quizlet* - Apr 17 2023

web distortions when using year end figures particularly in seasonal industries and when entities have different accounting dates distortions due to not being able to use most appropriate figures e g total sales revenue rather than credit sales when calculating receivables days

managerial accounting final formulas cheat sheet flashcards - Mar 04 2022

web breakeven p cm sales fixed residual income operating income return on asset asset required rate of return volume variance budgeted standard predetermined oh rate variances aqua apples play aqua space quickly square space

*acct final cheat sheet by cshortla cheatography com* - May 06 2022

web acct final cheat sheet draft by cshortla comprehensive exam this is a draft cheat sheet it is a work in progress and is not finished yet accounting review pg acc2001 download the acct final cheat sheet 1 page pdf recommended pdf 1 page alternative downloads pdf black and white latex comprehensive exam

[accounting cheat sheets accountingcoach pro](#) - Jun 19 2023

web our cheat sheets are designed to give you an efficient way for gaining an overview of important accounting and bookkeeping topics by reading the cheat sheets we hope that you will gain new insights connect some dots strengthen your understanding and recall prepare you for a job interview or exam etc the cheat sheets are not a substitute

[accounting cheat sheet financial accounting a journal](#) - Oct 11 2022

web accounting notes summary closing entries final final exam accounting a notes exam cheat sheet 2020 spring 22107 v5 standard city 20 7 20 week 2 tutorial accounting in the world of business homework

[accounting cheat sheet exam 1 account studocu](#) - Jun 07 2022

web acc 200 cheat sheet acct 200 exam 1 ch1 3 account the record of the changes that have occurred in a particular asset liability or stockholders equity during a period the basic summary device of accounting account format a balance sheet format that lists assets on the left and liabilities and stockholder s equity on the right

[how do i study for an accounting final exam accountingcoach](#) - Sep 22 2023

web here is a listing of the cheat sheets that are available for you to review list of cheat sheets take our quick tests our pro members can access 57 quick tests containing more than 1 600 practice questions with answers

**accounting cheat sheet cheat sheet accounting docsity** - Apr 05 2022

web oct 9 2020 download accounting cheat sheet and more accounting cheat sheet in pdf only on docsity

**cheat sheet accounting final exam studocu** - Feb 15 2023

web intermediate accounting 1 part a acct 200

**financial accounting final cheat sheet information** - Aug 09 2022

web financial accounting final cheat sheet information term 1 136 cash accounting click the card to flip definition 1 136 system of accounting where revenues and expenses are only recognized when cash is exchanged click the card to flip

**ultimate accounting cheat sheet ppt slideshare** - Mar 16 2023

web may 17 2014 economy finance our accounting professor permitted us to use one 8x11 sheet of paper during our comprehensive final exam within a short amount of time i laid out all the major concepts we covered along with my own notes examples i also recruited pac man to help out with making room for our final chapter topics

[accounting final exam cheat sheet docsity](#) - Jul 08 2022

web feb 9 2019 knowing t accounts will make it easy to answer many of the questions asked z multiple choice questions as in practice final 2 but they are still useful in clearing up concepts 4 practice exams z best practice exams for financial accounting section z midterm 1 z midterm 2 z best practice exams for managerial section z practice

**accounting cheat sheet** - Oct 23 2023

web apr 26 2015 balance sheet statement of financial position shows the ending balances of assets liabilities and equity at the end of the accounting period mechanics assets always equal liabilities plus equity which forms the accounting equation 1 497 400 90 200 40 1 967 300 405 705 1 010 175 427 1 262 1 967

**final exam cheat sheet is currentassratio retained ch2** - Sep 10 2022

web final exam cheat sheet is currentassratio retained ch2 financial statements generally accepted studocu skip to document ai questions institutions australian national university university of wollongong monash university royal melbourne institute of technology university of melbourne queensland university of technology macquarie

**accounting 101 final exam study guide flashcards quizlet** - Dec 13 2022

web amortization the process of allocating the cost of a limited life or intangible asset over its useful life depletion reduction in the number or quantity of something in order to calculate depreciation what three items need to be known cost estimated useful life estimated residual value figure gain loss

**61 accounting cheat sheets cheatography com** - Nov 12 2022

web 61 cheat sheets tagged with accounting sort magic filter language s rating 1 page 3 nature of business and accounting cheat sheet textbook summary of corporate financial accounting 10e ch 1 by warren reeve duchac

**ciencias y tecnología biología primer grado de secundaria libro** - Oct 05 2022

web ciencias y tecnología biología primer grado de secundaria grado 1 libro de secundaria ir a página ciencias y tecnología biología primer grado de secundaria libro de secundaria grado 1 catálogo de libros de educación básica ciclo escolar 2020 2021 biología primer grado de secundaria grado 1 libro de secundaria

**app castillo app castillo** - Sep 04 2022

web desde castillo digital puede acceder a nuestros libros y otros recursos aunque no tenga conexión a internet con múltiples recursos de acuerdo con la serie seleccionada usted puede acceder y descargar el libro digital del alumno para proyectar en el aula o utilizar en línea diferentes recursos complementarios

**biología 1 editorial castillo travesías gratis libros** - Dec 07 2022

web el libro de ciencias naturales y tecnología biología primer grado de la editorial castillo travesías es una excelente opción que han tomado muchos profesores para la enseñanza en primerio de secundaria en el área de biología lo cual es gracias a que es un libro muy didáctico y profesional

**descargar libros de secundaria para el nuevo ciclo escolar** - Aug 03 2022

web jun 16 2020 en nuestra web puedes descargar libros de secundaria para este ciclo escolar todas adecuadas a los planes y programas educativos necesarios para que tu trabajo sea de calidad primer año ciencias naturales y tecnología

**secundaria colegios crd ediciones castillo** - Jan 08 2023

web Éste es un espacio dirigido a nuestros maestros usuarios donde encuentran información y recursos digitales disponibles de todos los libros de las series de nuestro sello para los tres grados de secundaria y apegados a los programas oficiales vigentes

**infinita crd secundaria crd ediciones castillo** - Apr 11 2023

web infinita crd secundaria crd ediciones castillo centro de recursos digitales infinita es una propuesta editorial compuesta por materiales impresos y digitales concebidos de manera integral pero con una metodología de uso flexible

*biología 1 ciencias naturales y tecnología 1º de secundaria libro* - Nov 06 2022

web explora el fascinante mundo de las ciencias naturales y la tecnología con nuestros libros de biología 1 para primero de secundaria sumérgete en emocionantes descubrimientos experimentos y conceptos fundamentales sobre la vida y su entorno

**solucionarios castillo te acompaña ediciones castillo** - Jun 01 2022

web solucionarios castillo te acompaña gracias por permitirnos acompañarte en el fascinante viaje de la enseñanza si elegiste trabajar con los libros de ediciones castillo en el ciclo escolar 2021 2022 a partir del 2 de agosto podrás registrarte y tener acceso a todos los recursos digitales

**secundaria imagina ediciones castillo** - Feb 09 2023

web imagina secundaria ofrece a los alumnos libros de texto para cada una de las disciplinas del currículum acompañados de cuadernos de evidencias y un entorno digital con innovadores recursos multimedia y actividades interactivas que favorecen el aprendizaje lúdico y significativo

*biología 1 editorial castillo infinita gratis* - Mar 10 2023

web si buscas otro libro de biología 1 de secundaria haz clic en el enlace están todos los de primer grado este libro es un poco caro pero no pasa nada porque aquí lo puedes descargar en pdf o ver en línea gratis desde la página legal de editorial castillo infinita

**biología 1 primer grado secundaria libros conaliteg** - Jun 13 2023

web a continuación podrá visualizar y descargar el libro de ciencias naturales y tecnología biología de primer grado de secundaria de la editorial ediciones castillo nivel secundaria grado primer grado asignatura ciencias naturales y tecnología biología libro biología 1 editorial ediciones castillo descargar libro

*biologia 1 infinita secundaria librería ditesi* - Mar 30 2022

web nombre biologia 1 infinita secundaria isbn 1220180119814 editorial castillo autor josé aguilera ana angelica cervantes maldonado julio adrian garfias lópez saul limón orozco jorge malpica jesus mejía alejandro valero

**biologia 1 editorial castillo mercadolibre** - Feb 26 2022

web biologia 1 editorial castillo 244 resultados ordenar por más relevantes travesias secundaria biologia ciencias y

tecnología 1 de zamora omar editorial macmillan castillo tapa blanda edición 1a 2018 en español 2018 por el sotano 729

**libros de biología 1 de secundaria descargar pdf** - May 12 2023

web catalogo de libros de biología 1 de secundaria el siguiente listado corresponde al catálogo completo de libros de biología 1 de primer grado de secundaria ciencia y tecnología biología innova ediciones clave s00367 biología 1 ciencias y tecnología 1 ediciones castillo clave s00368 biología 1 ediciones castillo clave s00369

**biología 1 ediciones castillo** - Jan 28 2022

web biología 1 están organizados en tres bloques que corresponden a los periodos de evaluación del ciclo escolar fueron diseñados para trabajar a partir de proyectos didácticos actividades puntuales secuencias didácticas y actividades recurrentes

**ciencias 1 biología infinita ediciones castillo** - Aug 15 2023

web pages 100 101 pages 102 103 pages 104 105

biología 1 ciencias y tecnología travesías secundaria - Jul 02 2022

web biología 1 ciencias y tecnología travesías secundaria mi cuenta 0 escríbenos programa de puntos travesías secundaria editorial castillo editorial castillo materia biología secundaria isbn 978 607 540 132 4 titulo del libro el grufalo sa 3e ma editorial castillo en stock envío inmediato

*libros de editorial castillo librería libelli* - Apr 30 2022

web titulo del libro biología 1 ciencias y tecnología travesías secundaria editorial castillo en stock envío inmediato recíbelo de 1 a 5 días

**biología 1 ediciones castillo** - Dec 27 2021

web biología 1 se organizan en tres unidades que corresponden a los periodos de evaluación del ciclo escolar su diseño responde al trabajo de contenidos por lecciones a partir de una dosificación en la que se considera la carga horaria real de cada asignatura

**biología 1 ediciones castillo** - Jul 14 2023

web biología 1 propuesta flexible e integral que incluye libro de texto cuaderno de evidencias y entorno digital los contenidos se trabajan en lecciones a partir de una dosificación sustentada en la carga horaria real de cada asignatura