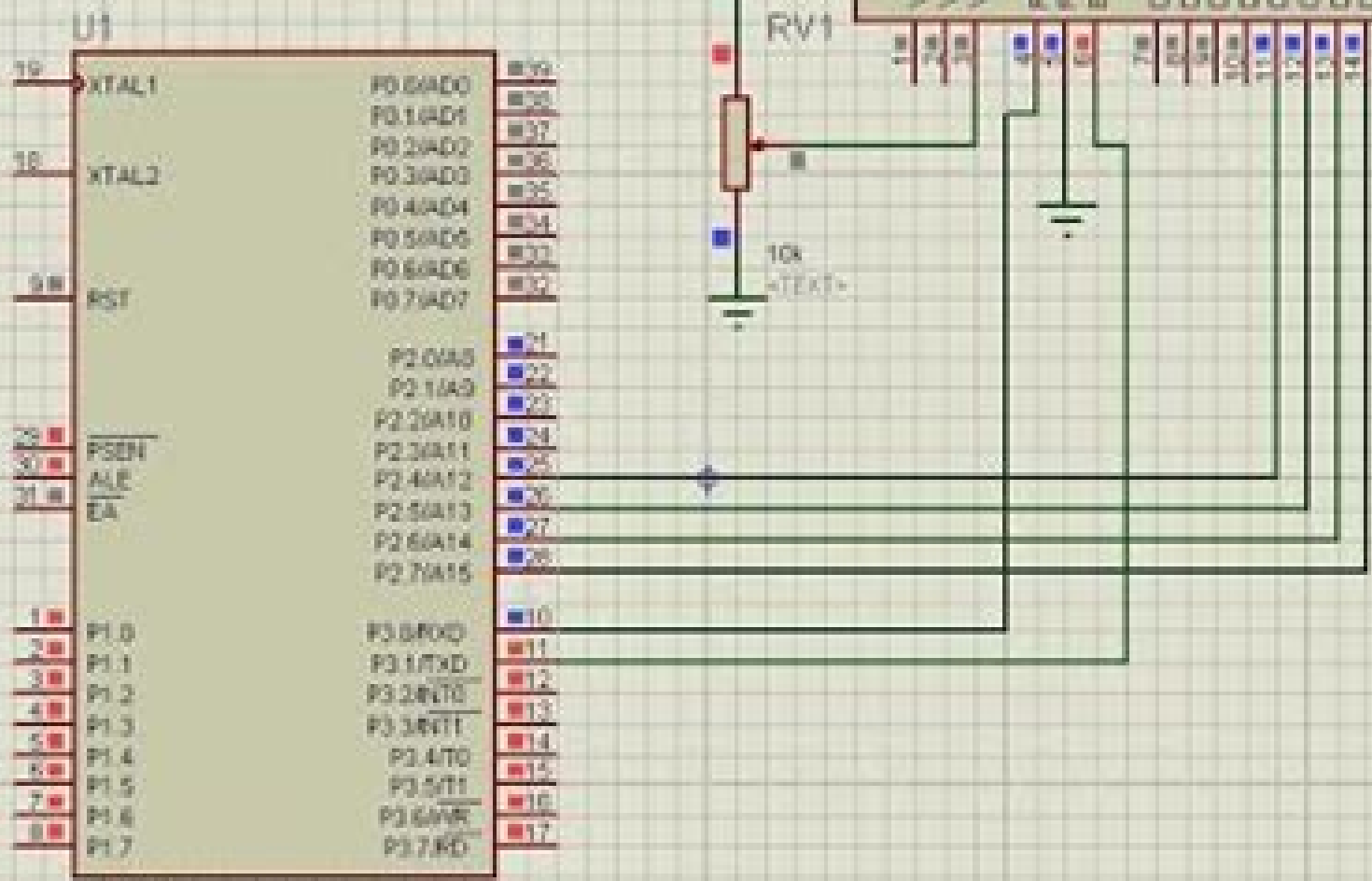
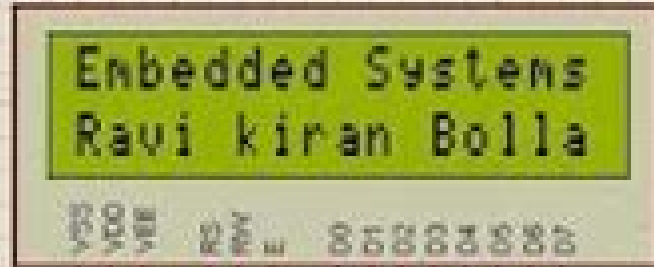


LCD1
 LM016L
 vTEXT-



AT89C51
 -TEXT-

Lcd Display C Programming

Christian G. Meyer



Lcd Display C Programming:

Advanced C Programming for Displays Marc J. Rochkind,1988 Programming the PIC Microcontroller with MBASIC Jack Smith,2005-07-19 The Microchip PIC family of microcontrollers is the most popular series of microcontrollers in the world However no microcontroller is of any use without software to make it perform useful functions This comprehensive reference focuses on designing with Microchip s mid range PIC line using MBASIC a powerful but easy to learn programming language It illustrates MBASIC s abilities through a series of design examples beginning with simple PIC based projects and proceeding through more advanced designs Unlike other references however it also covers essential hardware and software design fundamentals of the PIC microcontroller series including programming in assembly language when needed to supplement the capabilities of MBASIC Details of hardware software interfacing to the PIC are also provided

BENEFIT TO THE READER This book provides one of the most thorough introductions available to the world s most popular microcontroller with numerous hardware and software working design examples which engineers students and hobbyists can directly apply to their design work and studies Using MBASIC it is possible to develop working programs for the PIC in a much shorter time frame than when using assembly language Offers a complete introduction to programming the most popular microcontroller in the world using the MBASIC compiler from a company that is committed to supporting the book both through purchases and promotion Provides numerous real world design examples all carefully tested **PIC Projects**

Hassan Parchizadeh,Branislay Vuksanovic,2009-08-10 This book is a collection of projects based around various microcontrollers from the PIC family The reader is carefully guided through the book from very simple to more complex projects in order to gradually build their knowledge about PIC microcontrollers and digital electronics in general On completion of this book the reader should be able to design and build their own projects and solve other practical problems in digital electronics Many books in this area are theory based and can tend toward being overly explanatory in their approach to the subject Courses are moving towards being more practically oriented and this book provides the ideal companion to students completing projects with PIC microcontrollers *Innovations and Advanced Techniques in Systems, Computing Sciences and Software Engineering* Khaled Elleithy,2008-08-17 *Innovations and Advanced Techniques in Systems Computing Sciences and Software Engineering* includes a set of rigorously reviewed world class manuscripts addressing and detailing state of the art research projects in the areas of Computer Science Software Engineering Computer Engineering and Systems Engineering and Sciences *Innovations and Advanced Techniques in Systems Computing Sciences and Software Engineering* includes selected papers form the conference proceedings of the International Conference on Systems Computing Sciences and Software Engineering SCSS 2007 which was part of the International Joint Conferences on Computer Information and Systems Sciences and Engineering CISSE 2007 **Foundations and Frontiers in Computer, Communication and Electrical Engineering** Aritra Acharyya,2016-05-05 The 3rd International Conference on Foundations and Frontiers in

Computer Communication and Electrical Engineering is a notable event which brings together academia researchers engineers and students in the fields of Electronics and Communication Computer and Electrical Engineering making the conference a perfect platform to share experience f

Rapid Prototyping of Digital Systems James O. Hamblen, Tyson S. Hall, Michael D. Furman, 2007-09-26 New to this edition is an introduction to embedded operating systems for SOPC designs Featuring four accelerated tutorials on the Quartus II and Nios II design environments this edition progresses from introductory programmable logic to full scale SOPC design integrating hardware implementation software development operating system support state of the art I O and IP cores This edition features Altera s new 7 1 Quartus II CAD and Nios II SOPC tools and includes projects for Altera s DE1 DE2 UP3 UP2 and UP1 FPGA development boards *Programming Arduino: Getting Started with Sketches* Simon Monk, 2016-06-29 A fully updated guide to quickly and easily programming Arduino Thoroughly revised for the new Arduino Uno R3 this bestselling guide explains how to write well crafted sketches using Arduino s modified C language You will learn how to configure hardware and software develop your own sketches work with built in and custom Arduino libraries and explore the Internet of Things all with no prior programming experience required Electronics guru Simon Monk gets you up to speed quickly teaching all concepts and syntax through simple language and clear instruction designed for absolute beginners *Programming Arduino Getting Started with Sketches Second Edition* features dozens of easy to follow examples and high quality illustrations All of the sample sketches featured in the book can be used as is or modified to suit your needs An all new chapter teaches programming Arduino for Internet of Things projects Screenshots diagrams and source code illustrate each technique All sample programs in the book are available for download *Programming and Problem Solving with C++* Nell B. Dale, Chip Weems, Mark R. Headington, 2002 This book continues to reflect our experience that topics once considered too advanced can be taught in the first course The text addresses metalanguages explicitly as the formal means of specifying programming language syntax **Programming in C++** Nell Dale, Chip Weems, Mark R. Headington, 2001 Intended to continue to meet the need for a user friendly introduction to C computer program language this iteration incorporates conformance to the latest ISO ANSI standard C and an earlier introduction to classes data abstraction and object oriented concepts Includes Web link prompts prog **Control Engineering**, 1992 Instrumentation and automatic control systems **Programming and Customizing the PIC Microcontroller** Myke Predko, 2007-05-22 MASTER PIC MICROCONTROLLER TECHNOLOGY AND ADD POWER TO YOUR NEXT PROJECT Tap into the latest advancements in PIC technology with the fully revamped Third Edition of McGraw Hill s *Programming and Customizing the PIC Microcontroller* Long known as the subject s definitive text this indispensable volume comes packed with more than 600 illustrations and provides comprehensive easy to understand coverage of the PIC microcontroller s hardware and software schemes With 100 experiments projects and libraries you get a firm grasp of PICs how they work and the ins and outs of their most dynamic applications Written by renowned technology guru Myke Predko

this updated edition features a streamlined more accessible format and delivers Concentration on the three major PIC families to help you fully understand the synergy between the Assembly BASIC and C programming languages Coverage of the latest program development tools A refresher in electronics and programming as well as reference material to minimize the searching you will have to do WHAT S INSIDE Setting up your own PIC microcontroller development lab PIC MCU basics PIC microcontroller interfacing capabilities software development and applications Useful tables and data Basic electronics Digital electronics BASIC reference C reference 16 bit numbers Useful circuits and routines that will help you get your applications up and running quickly

Interfacing Techniques in Digital Design with Emphasis on Microprocessors R. L. Krutz,1988-03-03 Hardware Input Output and Data Communications

Embedded Core Design with FPGAs Zainalabedin Navabi,2007 This volume shows how a processor can be designed from scratch and by use of new EDA tools how it interfaces with its software It shows how a processor and its software can be used as an embedded core and used for the design of an embedded system

InCider ,1987 PC ,1985

The PC User's Essential Accessible Pocket Dictionary Peter Dyson,1995 Written by an industry expert who explains the terms in plain English this is the most complete most readable computer dictionary available Providing more than simple definitions this book offers tips cautions and warnings tables and figures lengthy encyclopedia entries for essential terms and icons to link related entries Updated with more than 1 000 new entries

Embedded Systems Design and Applications with the 68HC12 and HCS12 Steven Frank Barrett,Daniel J. Pack,2005 For a second microprocessor course for students enrolled in Electrical Computer Engineering Microcontroller courses Designed for a senior or graduate level embedded systems design course Embedded Systems Design and Applications with the 68HC12 introduces readers to unique issues associated with designing testing integrating and implementing microcontroller microprocessor based embedded systems

Jin Sato's Lego Mindstorms Jin Sato,2002 The creator of MIBO the Lego Hall of Fame s robotic dog offers programming tips parts lists and step by step instructions for building unique robots using LEGO toys

Programmable Microcontrollers with Applications Cem Unsalan,H. Deniz Gurhan,2013-09-17 Publisher s Note Products purchased from Third Party sellers are not guaranteed by the publisher for quality authenticity or access to any online entitlements included with the product

MASTER THE MSP430 MICROCONTROLLER AND DEVELOPMENT PLATFORM Expand your electronics design skills to include the MSP430 family of ultra low power microprocessors with help from this practical guide

Programmable Microcontrollers with Applications MSP430 LaunchPad with CCS and Grace thoroughly explains each concept and provides illustrated examples and projects Find out how to configure the MSP430 efficiently program custom functions process analog and digital signals and interface with external components Sample code and reference information are available on the companion website

COVERAGE INCLUDES Digital circuit and microcontroller fundamentals MSP430 architecture and CCS development environment LaunchPad platform and Grace configuration tool C and Assembly language programming and debugging Interrupts digital I

O and D A and A D converters Data storage and coding practices for flash memory Oscillators clocks low power modes and timers Digital and analog communication ports and protocols Schematics and assembly instructions for 12 projects

Electronics Now ,1999

The Top Books of the Year Lcd Display C Programming The year 2023 has witnessed a remarkable surge in literary brilliance, with numerous captivating novels enthralling the hearts of readers worldwide. Lets delve into the realm of bestselling books, exploring the fascinating narratives that have captivated audiences this year. Lcd Display C Programming : Colleen Hoovers "It Ends with Us" This poignant tale of love, loss, and resilience has gripped readers with its raw and emotional exploration of domestic abuse. Hoover masterfully weaves a story of hope and healing, reminding us that even in the darkest of times, the human spirit can prevail. Uncover the Best : Taylor Jenkins Reids "The Seven Husbands of Evelyn Hugo" This captivating historical fiction novel unravels the life of Evelyn Hugo, a Hollywood icon who defies expectations and societal norms to pursue her dreams. Reids compelling storytelling and compelling characters transport readers to a bygone era, immersing them in a world of glamour, ambition, and self-discovery. Discover the Magic : Delia Owens "Where the Crawdads Sing" This evocative coming-of-age story follows Kya Clark, a young woman who grows up alone in the marshes of North Carolina. Owens crafts a tale of resilience, survival, and the transformative power of nature, captivating readers with its evocative prose and mesmerizing setting. These bestselling novels represent just a fraction of the literary treasures that have emerged in 2023. Whether you seek tales of romance, adventure, or personal growth, the world of literature offers an abundance of compelling stories waiting to be discovered. The novel begins with Richard Papen, a bright but troubled young man, arriving at Hampden College. Richard is immediately drawn to the group of students who call themselves the Classics Club. The club is led by Henry Winter, a brilliant and charismatic young man. Henry is obsessed with Greek mythology and philosophy, and he quickly draws Richard into his world. The other members of the Classics Club are equally as fascinating. Bunny Corcoran is a wealthy and spoiled young man who is always looking for a good time. Charles Tavis is a quiet and reserved young man who is deeply in love with Henry. Camilla Macaulay is a beautiful and intelligent young woman who is drawn to the power and danger of the Classics Club. The students are all deeply in love with Morrow, and they are willing to do anything to please him. Morrow is a complex and mysterious figure, and he seems to be manipulating the students for his own purposes. As the students become more involved with Morrow, they begin to commit increasingly dangerous acts. The Secret History is a exceptional and gripping novel that will keep you guessing until the very end. The novel is a cautionary tale about the dangers of obsession and the power of evil.

<https://py.bijouxmedusa.com/files/scholarship/default.aspx/8051%20Microcontroller%20Scott%20Mackenzie.pdf>

Table of Contents Lcd Display C Programming

1. Understanding the eBook Lcd Display C Programming
 - The Rise of Digital Reading Lcd Display C Programming
 - Advantages of eBooks Over Traditional Books
2. Identifying Lcd Display C Programming
 - Exploring Different Genres
 - Considering Fiction vs. Non-Fiction
 - Determining Your Reading Goals
3. Choosing the Right eBook Platform
 - Popular eBook Platforms
 - Features to Look for in an Lcd Display C Programming
 - User-Friendly Interface
4. Exploring eBook Recommendations from Lcd Display C Programming
 - Personalized Recommendations
 - Lcd Display C Programming User Reviews and Ratings
 - Lcd Display C Programming and Bestseller Lists
5. Accessing Lcd Display C Programming Free and Paid eBooks
 - Lcd Display C Programming Public Domain eBooks
 - Lcd Display C Programming eBook Subscription Services
 - Lcd Display C Programming Budget-Friendly Options
6. Navigating Lcd Display C Programming eBook Formats
 - ePub, PDF, MOBI, and More
 - Lcd Display C Programming Compatibility with Devices
 - Lcd Display C Programming Enhanced eBook Features
7. Enhancing Your Reading Experience
 - Adjustable Fonts and Text Sizes of Lcd Display C Programming
 - Highlighting and Note-Taking Lcd Display C Programming
 - Interactive Elements Lcd Display C Programming
8. Staying Engaged with Lcd Display C Programming

- Joining Online Reading Communities
- Participating in Virtual Book Clubs
- Following Authors and Publishers Lcd Display C Programming
- 9. Balancing eBooks and Physical Books Lcd Display C Programming
 - Benefits of a Digital Library
 - Creating a Diverse Reading Collection Lcd Display C Programming
- 10. Overcoming Reading Challenges
 - Dealing with Digital Eye Strain
 - Minimizing Distractions
 - Managing Screen Time
- 11. Cultivating a Reading Routine Lcd Display C Programming
 - Setting Reading Goals Lcd Display C Programming
 - Carving Out Dedicated Reading Time
- 12. Sourcing Reliable Information of Lcd Display C Programming
 - Fact-Checking eBook Content of Lcd Display C Programming
 - Distinguishing Credible Sources
- 13. Promoting Lifelong Learning
 - Utilizing eBooks for Skill Development
 - Exploring Educational eBooks
- 14. Embracing eBook Trends
 - Integration of Multimedia Elements
 - Interactive and Gamified eBooks

Lcd Display C Programming Introduction

Lcd Display C Programming Offers over 60,000 free eBooks, including many classics that are in the public domain. Open Library: Provides access to over 1 million free eBooks, including classic literature and contemporary works. Lcd Display C Programming Offers a vast collection of books, some of which are available for free as PDF downloads, particularly older books in the public domain. Lcd Display C Programming : This website hosts a vast collection of scientific articles, books, and textbooks. While it operates in a legal gray area due to copyright issues, its a popular resource for finding various publications. Internet Archive for Lcd Display C Programming : Has an extensive collection of digital content, including

books, articles, videos, and more. It has a massive library of free downloadable books. Free-eBooks Lcd Display C Programming Offers a diverse range of free eBooks across various genres. Lcd Display C Programming Focuses mainly on educational books, textbooks, and business books. It offers free PDF downloads for educational purposes. Lcd Display C Programming Provides a large selection of free eBooks in different genres, which are available for download in various formats, including PDF. Finding specific Lcd Display C Programming, especially related to Lcd Display C Programming, might be challenging as they're often artistic creations rather than practical blueprints. However, you can explore the following steps to search for or create your own Online Searches: Look for websites, forums, or blogs dedicated to Lcd Display C Programming, Sometimes enthusiasts share their designs or concepts in PDF format. Books and Magazines Some Lcd Display C Programming books or magazines might include. Look for these in online stores or libraries. Remember that while Lcd Display C Programming, sharing copyrighted material without permission is not legal. Always ensure you're either creating your own or obtaining them from legitimate sources that allow sharing and downloading. Library Check if your local library offers eBook lending services. Many libraries have digital catalogs where you can borrow Lcd Display C Programming eBooks for free, including popular titles. Online Retailers: Websites like Amazon, Google Books, or Apple Books often sell eBooks. Sometimes, authors or publishers offer promotions or free periods for certain books. Authors Website Occasionally, authors provide excerpts or short stories for free on their websites. While this might not be the Lcd Display C Programming full book, it can give you a taste of the authors writing style. Subscription Services Platforms like Kindle Unlimited or Scribd offer subscription-based access to a wide range of Lcd Display C Programming eBooks, including some popular titles.

FAQs About Lcd Display C Programming Books

How do I know which eBook platform is the best for me? Finding the best eBook platform depends on your reading preferences and device compatibility. Research different platforms, read user reviews, and explore their features before making a choice. Are free eBooks of good quality? Yes, many reputable platforms offer high-quality free eBooks, including classics and public domain works. However, make sure to verify the source to ensure the eBook credibility. Can I read eBooks without an eReader? Absolutely! Most eBook platforms offer web-based readers or mobile apps that allow you to read eBooks on your computer, tablet, or smartphone. How do I avoid digital eye strain while reading eBooks? To prevent digital eye strain, take regular breaks, adjust the font size and background color, and ensure proper lighting while reading eBooks. What the advantage of interactive eBooks? Interactive eBooks incorporate multimedia elements, quizzes, and activities, enhancing the reader engagement and providing a more immersive learning experience. Lcd Display C Programming is one of the best book in our library for free trial. We provide copy of Lcd Display C Programming in digital format, so the

resources that you find are reliable. There are also many Ebooks of related with Lcd Display C Programming. Where to download Lcd Display C Programming online for free? Are you looking for Lcd Display C Programming PDF? This is definitely going to save you time and cash in something you should think about.

Find Lcd Display C Programming :

8051 microcontroller scott mackenzie

~~7 le cercle des 17 lultime etincelle 7 pdf svotz~~

a three phase induction motor problem

~~a brief history of time stephen hawking~~

a defense of the explanatory argument for physicalism

~~a french kiss with death feplus~~

~~a patch of blue book~~

a guide to efficient mro procurement management

aapc study guide

~~a flight test evaluation of the 16-6 meter ventus by~~

8th edition raven biology

8883713109 bit6

a modern approach to quantum mechanics townsend solutions

8 044 lecture notes chapter 5 thermodynamcs part 2

a case of red herrings solving mysteries through critical questioning book a2

Lcd Display C Programming :

Dell GN723 Vostro 400 LGA775 Motherboard No BP P/N: GN723. Socket Type: LGA775. For: Vostro 400. Motherboard Manufacturer: Dell. This is a used motherboard. International Orders. See full description ... Dell RN474 Vostro 400 Mini TOWER Motherboard Get original dell rn474 vostro 400 mini tower from eSai Tech. Best store to get motherboard. We offer the best in class prices, shipping and customer ... Vostro 400 Owner's Manual Dell™ Vostro™ 400. Owner's Manual - Mini Tower. Model DCMF. Page 2. Notes ... 3. Possible motherboard failure. Contact Dell. 4. RAM Read/Write failure. Ensure ... Dell 0RX390 System Board (Motherboard) for Vostro 400 Buy 0RX390 - Dell System Board (Motherboard) for Vostro 400 with fast shipping across U.S from harddiskdirect.com. Dell 0RN474 RN474 Vostro 400 Socket LGA775 ... Dell 0RN474 RN474

Vostro 400 Socket LGA775 Motherboard No BP Core 2 Duo @ 2.3GHz ; The CDE Outlet (7133) ; Approx. \$13.96. + \$25.64 shipping ; Est. delivery. Fri, ... Dell GN723 Vostro 400 SMT 775 Motherboard Get original dell gn723 vostro 400 smt 775 from eSai Tech. Best store to get motherboard. We offer the best in class prices, shipping and customer service! Dell Vostro 400 Dec 15, 2016 — I installed the new board and moved CPU and plugged everything back. Still have the amber lights in both places. The only thing difference is ... 0RN474 Dell System Board (Motherboard) For ... Dell. 0RN474 Dell System Board (Motherboard) For Vostro 400 Mid Tower Desktop (Refurbished). Part Number: 0RN474; Condition: Refurbished; Availability: In Stock. Dell 0GN723 Vostro 400 Motherboard Dell Vostro 400 Motherboard. Dell Part number: GN723. Featuring Intel Chipset LGA775. Dell Vostro desktops are built specifically for the unique needs of ... Gas Variables Pogil Apr 1, 2016 — No, in a non flexible container the volume cannot change to equalize internal and external pressure, so decreasing the external; pressure will ... POGIL Chemistry Activities In this activity, you will explore four variables that quantify gases—pressure (P), volume (V), temperature (T), and moles (n) of gas. These four variables can ... Gas Variables Pogil Gas Variables Pogil. Hailey Calkins at 7:11 PM. Share. 2 comments: BradenTheSlav March 6, 2021 at 8:52 AM. Number 24 is wrong, as the ideal gas law is $PV=nRT$. Pogil Experimental Variables Answer Key ... Answer Championsore Yeah, reviewing a books Gas Variables Pogil Activities ... , Pogil Activities For High School Chemistry Gas Variables Answers. Pogil Gas Variables Answer Key Pdf , Experimental Design Pogil Answer Key., Pogil Activities For High School Chemistry Gas Variables Answers., Pogil activities for ap chemistry answers free ... Pogil Gas Variables Answer Key Pdf Merely said, the Pogil Activities For High School Chemistry Gas Variables Answers Pdf is universally compatible with any devices to read gas variables pogil ... Pogil Gas Variables Answer Key ... Pogil High School Chemistry Gas Variables. Gas Variables Pogil Answer Key ... Chemistry Worksheet Answers 6 POGIL™ Activities Gas Variables Pogil Activities ... awd prop shaft (rear drive shaft) removal Apr 22, 2015 — I have an 03 s60 awd. My front cv joint on my prop shaft or rear drive shaft is bad and needs to be replaced. I have taken out all the hex ... AWD drive shaft removal. Feb 23, 2016 — I am trying to remove the drive shaft on my 05 AWD. The rear CV won't come loose from the differential. Is there a trick to this ? 2002 S60 AWD driveshaft removal help - Matthews Volvo Site Aug 12, 2015 — If exhaust does not allow center of the shaft to lower, remove all hangers and drop the exhaust. The rear one is reasonably accessible. AWD Prop Shaft Removal (Guide) Apr 1, 2013 — Jack up the drivers side of the car, so that both front and rear wheels are off the ground. Support with axle stands, as you'll be getting ... How to Maintain Your AWD Volvo's Driveshaft Remove the rear strap below driveshaft. (maybe XC90 only); Remove the 6 bolts at front CV joint and rear CV joint. On earliest in this series there may be ... Drive shaft removal advice please Apr 14, 2016 — Loosen both strut to hub/carrier bolts and remove the top one completely. Swing the lot round as if you were going hard lock left for NS, hard ... S/V/C - XC70 Haldex 3 AOC Driveshaft removal The exhaust is dropped and out of the way. All 6 bolts removed. Center driveshaft carrier housing is dropped. What is the secret to getting this driveshaft to ... Volvo S60: Offside

Driveshaft Replacement Jun 11, 2018 — This documentation details how to replace the offside (drivers side/Right hand side) driveshaft on a 2003 right hand drive Volvo S60.