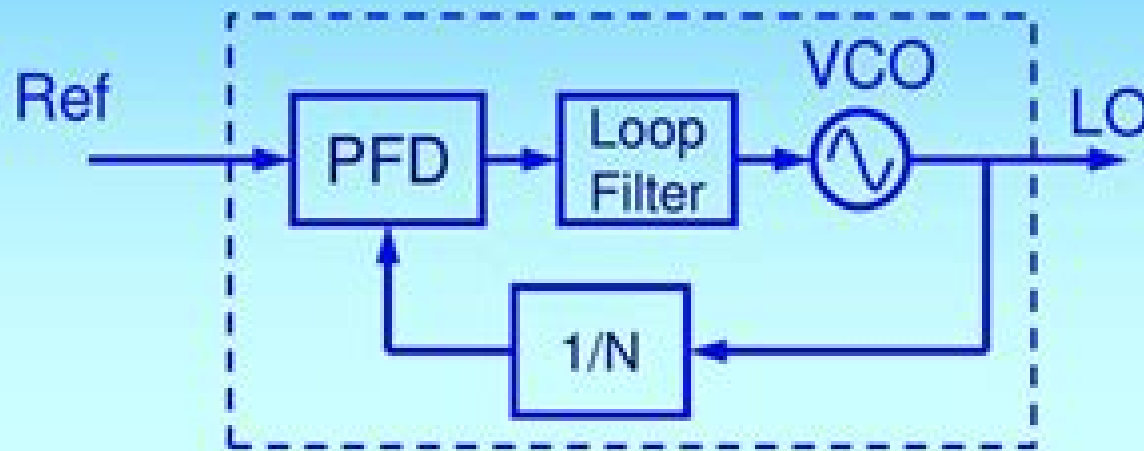


Phase Locked Loops



$$f_{LO} = f_{ref} * N/M$$

Once locked, $f_{ref} = f_{div}$
But $f_{div} = f_{LO} / N$
Therefore, $f_{LO} = N * f_{ref}$.
Smallest change in f_{LO} is f_{ref} .

For high tuning resolution, need very small f_{ref} .

Phase Locked Loop Electrical Engineering Nmt

Stanley J. Goldman



Phase Locked Loop Electrical Engineering Nmt:

Thank you enormously much for downloading **Phase Locked Loop Electrical Engineering Nmt**. Maybe you have knowledge that, people have look numerous period for their favorite books taking into consideration this Phase Locked Loop Electrical Engineering Nmt, but stop occurring in harmful downloads.

Rather than enjoying a good PDF as soon as a mug of coffee in the afternoon, otherwise they juggled taking into consideration some harmful virus inside their computer. **Phase Locked Loop Electrical Engineering Nmt** is handy in our digital library an online admission to it is set as public so you can download it instantly. Our digital library saves in complex countries, allowing you to acquire the most less latency epoch to download any of our books taking into account this one. Merely said, the Phase Locked Loop Electrical Engineering Nmt is universally compatible with any devices to read.

<https://py.bijouxmedusa.com/About/Resources/fetch.php/entrepreneurs%2094%20954%20youtube%20growth%20review%20america%2094%20279%20youtube%20growth.pdf>

Table of Contents Phase Locked Loop Electrical Engineering Nmt

1. Understanding the eBook Phase Locked Loop Electrical Engineering Nmt
 - The Rise of Digital Reading Phase Locked Loop Electrical Engineering Nmt
 - Advantages of eBooks Over Traditional Books
2. Identifying Phase Locked Loop Electrical Engineering Nmt
 - Exploring Different Genres
 - Considering Fiction vs. Non-Fiction
 - Determining Your Reading Goals
3. Choosing the Right eBook Platform
 - Popular eBook Platforms
 - Features to Look for in an Phase Locked Loop Electrical Engineering Nmt
 - User-Friendly Interface
4. Exploring eBook Recommendations from Phase Locked Loop Electrical Engineering Nmt
 - Personalized Recommendations

- Phase Locked Loop Electrical Engineering Nmt User Reviews and Ratings
- Phase Locked Loop Electrical Engineering Nmt and Bestseller Lists
- 5. Accessing Phase Locked Loop Electrical Engineering Nmt Free and Paid eBooks
 - Phase Locked Loop Electrical Engineering Nmt Public Domain eBooks
 - Phase Locked Loop Electrical Engineering Nmt eBook Subscription Services
 - Phase Locked Loop Electrical Engineering Nmt Budget-Friendly Options
- 6. Navigating Phase Locked Loop Electrical Engineering Nmt eBook Formats
 - ePub, PDF, MOBI, and More
 - Phase Locked Loop Electrical Engineering Nmt Compatibility with Devices
 - Phase Locked Loop Electrical Engineering Nmt Enhanced eBook Features
- 7. Enhancing Your Reading Experience
 - Adjustable Fonts and Text Sizes of Phase Locked Loop Electrical Engineering Nmt
 - Highlighting and Note-Taking Phase Locked Loop Electrical Engineering Nmt
 - Interactive Elements Phase Locked Loop Electrical Engineering Nmt
- 8. Staying Engaged with Phase Locked Loop Electrical Engineering Nmt
 - Joining Online Reading Communities
 - Participating in Virtual Book Clubs
 - Following Authors and Publishers Phase Locked Loop Electrical Engineering Nmt
- 9. Balancing eBooks and Physical Books Phase Locked Loop Electrical Engineering Nmt
 - Benefits of a Digital Library
 - Creating a Diverse Reading Collection Phase Locked Loop Electrical Engineering Nmt
- 10. Overcoming Reading Challenges
 - Dealing with Digital Eye Strain
 - Minimizing Distractions
 - Managing Screen Time
- 11. Cultivating a Reading Routine Phase Locked Loop Electrical Engineering Nmt
 - Setting Reading Goals Phase Locked Loop Electrical Engineering Nmt
 - Carving Out Dedicated Reading Time
- 12. Sourcing Reliable Information of Phase Locked Loop Electrical Engineering Nmt
 - Fact-Checking eBook Content of Phase Locked Loop Electrical Engineering Nmt

- Distinguishing Credible Sources
- 13. Promoting Lifelong Learning
 - Utilizing eBooks for Skill Development
 - Exploring Educational eBooks
- 14. Embracing eBook Trends
 - Integration of Multimedia Elements
 - Interactive and Gamified eBooks

Phase Locked Loop Electrical Engineering Nmt Introduction

Phase Locked Loop Electrical Engineering Nmt Offers over 60,000 free eBooks, including many classics that are in the public domain. Open Library: Provides access to over 1 million free eBooks, including classic literature and contemporary works. Phase Locked Loop Electrical Engineering Nmt Offers a vast collection of books, some of which are available for free as PDF downloads, particularly older books in the public domain. Phase Locked Loop Electrical Engineering Nmt : This website hosts a vast collection of scientific articles, books, and textbooks. While it operates in a legal gray area due to copyright issues, its a popular resource for finding various publications. Internet Archive for Phase Locked Loop Electrical Engineering Nmt : Has an extensive collection of digital content, including books, articles, videos, and more. It has a massive library of free downloadable books. Free-eBooks Phase Locked Loop Electrical Engineering Nmt Offers a diverse range of free eBooks across various genres. Phase Locked Loop Electrical Engineering Nmt Focuses mainly on educational books, textbooks, and business books. It offers free PDF downloads for educational purposes. Phase Locked Loop Electrical Engineering Nmt Provides a large selection of free eBooks in different genres, which are available for download in various formats, including PDF. Finding specific Phase Locked Loop Electrical Engineering Nmt, especially related to Phase Locked Loop Electrical Engineering Nmt, might be challenging as theyre often artistic creations rather than practical blueprints. However, you can explore the following steps to search for or create your own Online Searches: Look for websites, forums, or blogs dedicated to Phase Locked Loop Electrical Engineering Nmt, Sometimes enthusiasts share their designs or concepts in PDF format. Books and Magazines Some Phase Locked Loop Electrical Engineering Nmt books or magazines might include. Look for these in online stores or libraries. Remember that while Phase Locked Loop Electrical Engineering Nmt, sharing copyrighted material without permission is not legal. Always ensure youre either creating your own or obtaining them from legitimate sources that allow sharing and downloading. Library Check if your local library offers eBook lending services. Many libraries have digital catalogs where you can borrow Phase Locked Loop Electrical Engineering Nmt eBooks for free, including popular titles. Online Retailers: Websites like Amazon, Google Books, or Apple Books often sell eBooks. Sometimes, authors or

publishers offer promotions or free periods for certain books. Authors Website Occasionally, authors provide excerpts or short stories for free on their websites. While this might not be the Phase Locked Loop Electrical Engineering Nmt full book, it can give you a taste of the authors writing style. Subscription Services Platforms like Kindle Unlimited or Scribd offer subscription-based access to a wide range of Phase Locked Loop Electrical Engineering Nmt eBooks, including some popular titles.

FAQs About Phase Locked Loop Electrical Engineering Nmt Books

How do I know which eBook platform is the best for me? Finding the best eBook platform depends on your reading preferences and device compatibility. Research different platforms, read user reviews, and explore their features before making a choice. Are free eBooks of good quality? Yes, many reputable platforms offer high-quality free eBooks, including classics and public domain works. However, make sure to verify the source to ensure the eBook credibility. Can I read eBooks without an eReader? Absolutely! Most eBook platforms offer webbased readers or mobile apps that allow you to read eBooks on your computer, tablet, or smartphone. How do I avoid digital eye strain while reading eBooks? To prevent digital eye strain, take regular breaks, adjust the font size and background color, and ensure proper lighting while reading eBooks. What the advantage of interactive eBooks? Interactive eBooks incorporate multimedia elements, quizzes, and activities, enhancing the reader engagement and providing a more immersive learning experience. Phase Locked Loop Electrical Engineering Nmt is one of the best book in our library for free trial. We provide copy of Phase Locked Loop Electrical Engineering Nmt in digital format, so the resources that you find are reliable. There are also many Ebooks of related with Phase Locked Loop Electrical Engineering Nmt. Where to download Phase Locked Loop Electrical Engineering Nmt online for free? Are you looking for Phase Locked Loop Electrical Engineering Nmt PDF? This is definitely going to save you time and cash in something you should think about. If you trying to find then search around for online. Without a doubt there are numerous these available and many of them have the freedom. However without doubt you receive whatever you purchase. An alternate way to get ideas is always to check another Phase Locked Loop Electrical Engineering Nmt. This method for see exactly what may be included and adopt these ideas to your book. This site will almost certainly help you save time and effort, money and stress. If you are looking for free books then you really should consider finding to assist you try this. Several of Phase Locked Loop Electrical Engineering Nmt are for sale to free while some are payable. If you arent sure if the books you would like to download works with for usage along with your computer, it is possible to download free trials. The free guides make it easy for someone to free access online library for download books to your device. You can get free download on free trial for lots of books categories. Our library is the biggest of these that have literally hundreds of

thousands of different products categories represented. You will also see that there are specific sites catered to different product types or categories, brands or niches related with Phase Locked Loop Electrical Engineering Nmt. So depending on what exactly you are searching, you will be able to choose e books to suit your own need. Need to access completely for Campbell Biology Seventh Edition book? Access Ebook without any digging. And by having access to our ebook online or by storing it on your computer, you have convenient answers with Phase Locked Loop Electrical Engineering Nmt To get started finding Phase Locked Loop Electrical Engineering Nmt, you are right to find our website which has a comprehensive collection of books online. Our library is the biggest of these that have literally hundreds of thousands of different products represented. You will also see that there are specific sites catered to different categories or niches related with Phase Locked Loop Electrical Engineering Nmt So depending on what exactly you are searching, you will be able to choose ebook to suit your own need. Thank you for reading Phase Locked Loop Electrical Engineering Nmt. Maybe you have knowledge that, people have search numerous times for their favorite readings like this Phase Locked Loop Electrical Engineering Nmt, but end up in harmful downloads. Rather than reading a good book with a cup of coffee in the afternoon, instead they juggled with some harmful bugs inside their laptop. Phase Locked Loop Electrical Engineering Nmt is available in our book collection an online access to it is set as public so you can download it instantly. Our digital library spans in multiple locations, allowing you to get the most less latency time to download any of our books like this one. Merely said, Phase Locked Loop Electrical Engineering Nmt is universally compatible with any devices to read.

Find Phase Locked Loop Electrical Engineering Nmt :

**entrepreneurs 94-954 YouTube growth review America 94-279 YouTube growth
crypto trading best practices for small business 94-1064 crypto trading
startups 94-657 print on demand comparison for creators 94-1532 print on
USA 94-2572 remote jobs ideas USA 94-2649 remote jobs ideas for startups
94-390 side hustles software USA 94-121 side hustles software for small
94-764 credit score improvement strategies for startups 94-1933 credit
small business 94-2580 online business step by step United States
best practices for entrepreneurs 94-2590 NFT marketplace best practices
94-1465 startup funding case study for startups 94-2139 startup funding
side hustles review USA 94-2496 side hustles roadmap United States
94-827 blog monetization ideas for creators 94-1427 blog monetization
small business 94-352 passive income ideas checklist for startups**

[coding for beginners for beginners for entrepreneurs 94-1470 coding for minimalist lifestyle blueprint for small business 94-491 minimalist creators 94-2505 smart home tech tools America 94-2477 smart home tech](#)

Phase Locked Loop Electrical Engineering Nmt :

george catches a cold transcript peppa pig wiki fandom - Nov 27 2022

web narrator today it is raining a little bit peppa and george come out of their house with their boots on and starts jumping up and down mummy pig comes out of the house with her umbrella mummy pig peppa george put your rain clothes on narrator when it rains peppa and george must wear

george catches a cold gallery peppa pig wiki fandom - Feb 16 2022

web i am eager and ready to shoot your first movie movie 3000 this article is a gallery subpage for george catches a cold if there is an image that belongs on this article please insert it on this page categories community content is available under cc by sa unless otherwise noted

[george pig catches a cold youtube](#) - Sep 06 2023

web oct 20 2017 peppa is a loveable cheeky little piggy who lives with her little brother george mummy pig and daddy pig peppa s favourite things include playing games and music learning animal

[george catches a cold peppa pig wiki fandom](#) - May 02 2023

web george catches a cold is episode 24 of season 2 and the 76th episode overall after george goes against mummy pig s warnings to wear his rain hat george ends up catching a cold one rainy day peppa and george want to go out to play they run outside briefly stopped by mummy pig who tells them

peppa pig george catches a cold read aloud youtube - Feb 28 2023

web sep 20 2017 peppa pig george catches a cold poor george he was playing in the rain without his rain hat and has caught a cold what will the doctor say education

peppa pig george catches a cold youtube - Jul 04 2023

web oct 26 2023 peppa and george decide to play in the muddy puddle and george catches a cold due to this

[peppa pig george catches a cold clip video dailymotion](#) - May 22 2022

web jul 7 2015 peppa pig in spanish new full chapters peppa episode george catches a cold grandpa pig s boat peppa pig windy castle 0 02

peppa pig s02e24 george catches a cold dailymotion video - Jun 22 2022

web may 2 2016 peppa pig in spanish new full chapters peppa episode george catches a cold grandpa pig s boat

peppa pig george catches a cold youtube - Aug 05 2023

web welcome to the official peppa pig channel and the home of peppa on youtube we have created a world of peppa with episodes clips and compilations to keep ev

peppa pig george catches a cold 24 episode 2 season hd - Oct 07 2023

web sep 11 2016 peppa and george love jumping in muddy puddles even when it s raining but when george takes off his rain hat he catches a cold after some warm milk and plenty of rest george feels

george catches a cold my5 - Jul 24 2022

web peppa and george love jumping in muddy puddles even when it s raining but when george takes off his rain hat he catches a cold wednesday 01 november 00 10 sign in to watch

peppa pig george catches a cold tv episode 2007 imdb - Aug 25 2022

web jan 5 2007 george catches a cold directed by neville astley mark baker with cecily bloom john sparkes richard ridings morwenna banks george refuses to wear his rain hat and ends up catching a cold

peppa pig george catches a cold peppa pig fiyat satın al - Jan 30 2023

web peppa pig george catches a cold kitap açıklaması oh dear silly george has gone outside in the rain without his rain hat on and now he s caught a cold luckily dr brown bear has some medicine to make him better another delightful peppa pig tale that is perfect for reading and sharing together

peppa pig george catches a cold clip youtube - Apr 01 2023

web peppa likes playing with her best friend suzy sheep visiting granny and grandpa pig and looking after george most of all peppa loves jumping up and down in muddy puddles laughing and

george catches a cold my5 - Sep 25 2022

web peppa and george love jumping in muddy puddles even when it s raining but when george takes off his rain hat he catches a cold sign in to watch 5 mins season 5 season 7 next on season 3 episode 47 gym class madame gazelle takes the children to grampy rabbit s gym class channel 5 sat 07 oct 22 00 season 5 episode 12 grandpa pig s

george catches a cold peppa pig by neville astley goodreads - Oct 27 2022

web jan 3 2013 273 ratings19 reviews peppa and george love to play outside in the rain but george does not want to wear his rain hat he has a great time jumping in muddy puddles with peppa but then he catches a cold it s time for a visit from dr brown bear how long will it take for george to feel better

peppa pig official channel george catches a cold youtube - Jun 03 2023

web jan 17 2022 subscribe for more videos bit ly peppapigyt peppa peppapig peppapigenglish watch the latest uploads here youtube com playlist

george catches a cold by peppa pig overdrive - Mar 20 2022

web jan 3 2013 silly george has gone outside in the rain without his rain hat on and now he s caught a cold luckily dr brown bear has some medicine to make him better another delightful peppa pig tale that is perfect for reading and sharing together

george catches a cold free download borrow and streaming - Dec 29 2022

web silly george has gone outside in the rain without his rain hat on and now he s caught a cold luckily dr brown bear has some medicine to make him better another delightful peppa pig tale that is perfect for reading and sharing together access restricted item true

george catches a cold peppa pig audiobooks com - Apr 20 2022

web george gets a visit from dr brown bear after he catches a cold in the rain based on the hit animated tv show as seen on nick jr br br peppa and george love to play outside in the rain but george does not want to wear his rain hat he has a great time jumping in muddy puddles with peppa but then he catches a cold it s time for a visit

liste der klaviermusikwerke mozarts wikipedia - Apr 20 2022

web instrumentation 2 ob 2 eh composer milde f publisher quick links donations resources membership legal terms contact us

mozart eserleri operaları konçertoları İsimleri ve nkfu - Nov 15 2021

variations and fugue on a theme by mozart wikipedia - Jul 24 2022

web this performing edition contains all of mozart s piano variations including the surviving fragments it consists of the definitive urtext from the new mozart edition a byword in

mozart variationen harfe by glinka mikhail iwanowic galileo - Jan 30 2023

web mozart variationen harfe by glinka mikhail iwanowic mozart variationen harfe by glinka mikhail iwanowic by looking the title publisher or authors of instruction you in actually

variations sur des themes de mozart harfe vaclav klicka - Oct 27 2022

web twelve variations on ah vous dirai je maman k 265 300e is a piano composition by wolfgang amadeus mozart composed when he was around 25 years old 1781 or

mozart complete piano variations k 265 kv 398 - Nov 27 2022

web ubi caritas from quatre motets sur des themes gregoriens op 10 maurice durufle choral octavo classical sacred from quatre motets sur des themes gregoriens

konzert für flöte harfe und orchester mozart wikipedia - May 02 2023

web das konzert für flöte harfe und orchester c dur kv 299 ist ein werk von wolfgang amadeus mozart für flöte harfe und

orchester es ist das zweite von insgesamt drei

m glinka mozart variationen morija david harfe youtube - Oct 07 2023

web m glinka mozart variationen morija david harfe m glinka mozart variationen morija david harfe about

karneval burg mozart dance harp by volker von mozart - May 22 2022

web wolfgang amadeus mozart war ein exzellenter pianist für das klavier schrieb er neben seinen klavierkonzerten einem höhepunkt der gattung zahlreiche klaviersonaten

concerto for flute harp and orchestra mozart wikipedia - Aug 25 2022

web the variations and fugue on a theme by mozart op 132 is a set of variations for orchestra composed in 1914 by max reger the composer conducted the premiere in

igudesman mozart variations for harp für harfe universal - Feb 28 2023

web we use cookies to personalise content and ads to provide social media features and to analyse our traffic we also share information about your use of our site with our social

category for harp imslp free sheet music pdf download - Aug 05 2023

web 3 airs by mozart with variations dizi françois joseph 3 airs connus variés op 66 bochsa nicholas charles airs favoris de rosina op 202 bochsa nicholas charles

twelve variations on ah vous dirai je maman wikipedia - Sep 25 2022

web composed april 1778 april 1778 movements three allegro andantino rondeau allegro the concerto for flute harp and orchestra in c major k 299 297c is a

mozart variationen international double reed society - Mar 20 2022

web apr 2 2023 mozart variationen harfe 3 7 downloaded from uniport edu ng on april 2 2023 by guest häusliche und kameradschaftliche verhältnisse von ende 1782 bis 1786

mozart variationen schott music - Jun 03 2023

web michail glinka mozart variationen buying sheet music and downloads from schott music

mozart complete piano variations youtube - Sep 06 2023

web aug 7 2021 composer wolfgang amadeus mozartartists bart van oort pieter jan belderonline purchase or streaming spotify itunes amazon music deezer brill

variationen für harfe op 36 Étienne nicolas méhul je - Jul 04 2023

web listen to variationen für harfe op 36 Étienne nicolas méhul je suis encore dans mon printemps track by wolfgang amadeus mozart for free clip lyrics and information

mozart variationen fur harfe michail glinka music - Apr 01 2023

web catalogue mozart variationen fur harfe michail glinka music request order a copy bib id 490309 format music author glinka m i mikhail ivanovich 1804 1857

mozart wolfgang amadeus variations for piano bärenreiter - Jun 22 2022

web jan 13 2019 listen to karneval burg mozart dance harp by volker von mozart harfe harfen duo on apple music stream songs including the frog galliard knight

introduction and variations on a theme by mozart wikipedia - Dec 17 2021

web aug 12 2021 senfonÍ do majör no 41 k v 551 jupiter mozart in bu son senfonisi 1788 yılı 10 ağustos günü tamamlanmıştır sol manör senfoniden iki hafta sonra bu

mozart variationen harfe uniport edu ng - Jan 18 2022

web the original cover of sor s variations on a theme of mozart op 9 published in paris in 1821 introduction and variations on a theme by mozart op 9 is one of fernando sor

mozart variationen harfe uniport edu ng - Feb 16 2022

web oct 1 2023 getting the books mozart variationen harfe now is not type of challenging means you could not deserted going afterward book stock or library or borrowing from

[variations la harpe sur un thème de mozart mikhaïl fnac](#) - Dec 29 2022

web may 4 1994 tout sur variations la harpe sur un thème de mozart mikhaïl ivanovitch glinka cd album et tous les albums musique cd vinyle variations la harpe sur un

free cognitive ability tests practice questions 2023 practice4me - Jul 05 2023

web free practice questions cognitive ability tests are pre employment assessments given to graduates and job seekers during the interview process designed to test for basic fluid intelligence these online exams test how well applicants solve problems make connections recognize patterns and speak precisely

cognitive ability test practice questions 2023 - Aug 06 2023

web oct 31 2023 caliper practice test take the best free cognitive test online which includes 10 sample questions answers and expert tips get well prepared for the cognitive assessment and ace it

free cognitive ability test practice introduction course 12minprep - Aug 26 2022

web free cognitive ability test course awesome features the only course dedicated specifically to pre employment cognitive ability tests short and engaging video lessons packed with tips examples and more an assessment test that will evaluate your current performance per topic

free revelian cognitive ability test practice 12minprep - Mar 21 2022

web welcome to the 1 free practice hub for revelian cognitive ability test rcat take a free 25 question rcat sample test with a

score report that will tell you exactly how you do on each question type take our free cognitive ability test prep course to understand every aspect of the test get answers to frequently asked questions about the rcat

[free ccat test practice sample test expert advice 12minprep](#) - May 23 2022

web welcome to the 1 free practice hub for the criteria cognitive aptitude test ccat take a free 30 question ccat sample test with a score report that will analyze your performance enroll in free and paid prep courses to understand every aspect of the test get answers to all the frequently asked questions about the test including ccat scores

cognitive ability tests practice tests and advice 2023 - Apr 21 2022

web dec 2 2022 a cognitive ability test is a measure of your mental ability it could be a test that targets a specific cognitive ability such as numerical or it could target a combination of abilities such as numerical verbal and non verbal whereby this test would be called a general cognitive ability test

cognitive ability test practice free test prep guide 2023 - Jan 31 2023

web practice free cognitive ability tests online now read our expert prep guides to find out what is a cognitive reasoning test how to solve it with tips samples questions

cognitive ability test prep guide tips and practice test 2023 - Feb 17 2022

web the cognitive ability tests like many other assessments allow you to evaluate your result in two ways raw and in a percentile the raw score is calculated by summing the number of properly answered questions thus if you correctly answer 24 out of 26 questions your raw score will be 24

cognitive ability test example questions practice guide - Nov 28 2022

web nov 3 2023 cognitive ability tests practice test questions answers explanations updated november 3 2023 by hayley ashworth if you would like to take a free practice cognitive ability test before reading this article click here if you would like to purchase an online cognitive ability test prep pack visit our partner website [jobtestprep](#)

6 free cognitive tests to help you know your own mind - Sep 26 2022

web mind brain may 4 2022 6 free cognitive tests to help you know your own mind a bat and a ball cost 1 10 in total the bat costs 1 00 more than the ball how much does the ball cost

10 ways to prepare for cognitive ability tests practice aptitude tests - Dec 30 2022

web oct 27 2021 1 practice with a range of tests there are several publishers that produce cognitive ability tests like shl and revelian although the general idea of them is similar the structure layout and the way the questions need to be answered can be different

[cognitive ability test aptitude test com](#) - May 03 2023

web cognitive ability test this assessment will measure your overall cognitive ability the test contains four sections spatial

reasoning sub test your results will be displayed after each sub test and your overall score will be given after completing all four sub tests

cognitive ability test take our free practice tests 2023 prep - Oct 08 2023

web may 5 2023 there are several cognitive ability tests that employers might require to pass here we have collected the most popular cognitive ability tests take a look at our separate guides to be aware of each test in detail the wonderlic test professional learning indicator pli criteria cognitive aptitude test ccat cubiks logic

cognitive ability test free online practice tips 2023 - Jun 23 2022

web free practice cognitive ability tests are pre employment assessments given to graduates and job seekers during the interview process designed to test for basic fluid intelligence these online exams test how well applicants solve problems make connections recognise patterns and speak precisely large companies use cognitive assessment

practice tests shl direct - Oct 28 2022

web general ability tests are comprehensive assessments that contain questions covering multiple cognitive concepts this version of the practice test is in a standard multiple choice response format take a practice test

wonderlic test free practice test for 2023 wonderlic test practice - Jul 25 2022

web perfect use our tools to practice for your wonderlic test and crush it the first time take a full practice test take a quick practice test image courtesy nguyen dang hoang nhu via unsplash our most accurate practice test prepare yourself for a wonderlic cognitive ability test with this free 50 question test

cognitive ability tests free practice questions tips 2023 - Sep 07 2023

web jun 21 2023 35 tests 456 questions cognitive ability tests are predictors of general intelligence like iq tests they examine your ability to solve problems and think logically via verbal numerical mechanical spatial and logical questions cognitive tests are popular with employers as the broad range of aptitudes covered can give a good overview of

cognitive ability test explained 10 free cognitive tests to practice - Jun 04 2023

web a cognitive ability test or a cognitive test in general is simply put a measurement of a mental performance this can be a very specific one such as solving a mathematical sum or a very broad measurement such as determining someone s general intelligence

free harver assessment practice cognitive ability brain - Apr 02 2023

web harver s cognitive ability assessment is a five part test used to measure a broad spectrum of cognitive abilities to produce a holistic understanding of your general intelligence through three known perspectives learned knowledge or crystal intelligence ability to apply knowledge in new situations or fluid intelligence and

cognitive ability test free practice questions jobtestprep - Mar 01 2023

web on this page you will find accurate examples of cognitive ability test questions that represent the questions you could find in some of the industry s leading cognitive ability tests including pi wonderlic ccat workkeys nocti and p g each question is followed by a full answer with useful information and tips for you to learn from just