

Var  
Eqn.

VAR

VAR1

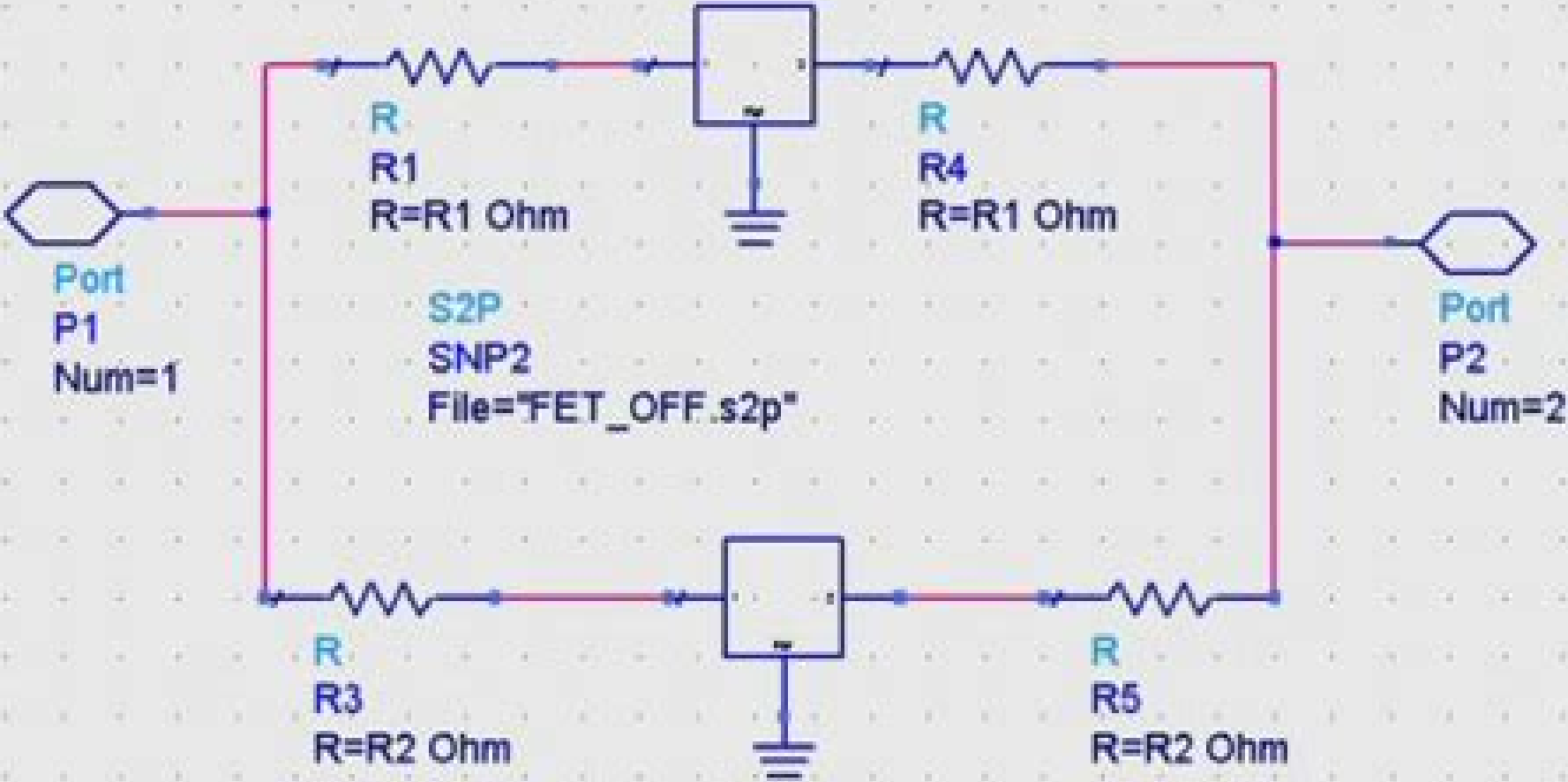
$$R1=(1.000000001-ON)/(0.000000001+ON)$$

$$R2=1/R1$$

S2P +

SNP1

File="FET\_ON.s2p"



# Example Circuit Using Ads 3 02

**Siddappa N.Byrareddy**



### **Example Circuit Using Ads 3 02:**

Co-simulations of Microwave Circuits and High-Frequency Electromagnetic Fields Mei Song Tong, Xiao Yu Li, 2024-07-03

This book aims to provide many advanced application topics for microwave circuits and high frequency electromagnetic EM fields by using advanced design system ADS and high frequency structure simulator HFSS as simulation platforms In particular it contains the latest multidisciplinary co simulation guidance on the design of relevant components and devices Currently the circuit field design and performance analysis and optimization strongly rely on various kinds of robust electronic design automation EDA software RF microwave engineers must grasp two or more types of related simulation design software ADS by Keysight and HFSS by Ansys are the representative for circuit simulations and for field and structural simulations of microwave devices respectively At present these two types of software are widely used in enterprises universities and research institutions The main purpose of this book is to enable readers who are interested in microwave engineering and applied electromagnetics to master the applications of these two tools It also helps readers expand their knowledge boundaries behind those types of software and deepen their understanding of developing interdisciplinary technologies by co simulations The book is divided into three parts The first part introduces the two latest versions of ADS and HFSS and helps readers better understand the basic principles and latest functions better It also advises how to choose appropriate simulation tools for different problems The second part mainly describes co simulations for high frequency EM fields microwave circuits antenna designs EM compatibility EMC and thermal and structural analyses It provides guides and advices on performing co simulations by ADS and HFSS incorporated with other types of software respectively The last part narrates the automation interfaces and script programming methods for co simulations It primarily deals with the Advanced Extension Language AEL Python Data Link PDL and MATLAB interface in ADS For HFSS it discusses VBScript IronPython scripting and Application Programming Interface APIs based on MATLAB Each topic contains practical examples to help readers understand so that they can gain a solid knowledge and skills regarding automated interfaces and scripting methods based on these kinds of software Concisely written in combination with practical examples this book is very suitable as a textbook in introductory courses on microwave circuit and EM simulations and also as a supplementary textbook in many courses on electronics microwave engineering communication engineering and related fields As well it can serve as a reference book for microwave engineers and researchers

*A Practical Guide to The Wiring Regulations* Geoffrey Stokes, John Bradley, 2009-04-15 This best selling text has been revised to reflect the requirements of the 17th Edition of the IEE Wiring Regulations BS 7671 2008 It includes essential information on the new rules applied to special installations or locations such as bathrooms swimming pool locations camping caravan sites marinas exhibition and show locations solar photovoltaic power supply systems and floor and ceiling heating systems amongst others It presents clear explanations on inspection testing certification and reporting test instruments and test methods as well as covering

electricity the law standards and codes of practice assessment of general characteristics protection against electric shock thermal effects overcurrent undervoltage and overvoltage isolation and switching the common rules of equipment selection switchgear protective devices and other equipment wiring systems including the external influences on them and cable installation methods protective conductors earthing and protective bonding supplies for safety services the smaller installation and specialised installations such as outdoor lighting installations in churches multi occupancy blocks of flats These topics are addressed with pertinent regulation numbers and a useful appendix lists the relevant Standards Background guidance and worked examples are provided where appropriate Like the earlier editions of this text this new edition will be a useful aid for designers installers and verifiers of electrical installations students of the industry wishing to gain better understanding of the many facets of electrical safety and duty holders as defined by the Electricity at Work Regulations 1989

Nonlinear Modeling Analysis and Predistortion Algorithm Research of Radio Frequency Power Amplifiers Jingchang Nan, Mingming Gao, 2021-07-29 This book is a summary of a series of achievements made by the authors and colleagues in the areas of radio frequency power amplifier modeling including neural Volterra series modeling neural network modeling X parameter modeling nonlinear analysis methods and power amplifier predistortion technology over the past 10 years The book is organized into ten chapters which respectively describe an overview of research of power amplifier behavioral models and predistortion technology nonlinear characteristics of power amplifiers power amplifier behavioral models and the basis of nonlinear analysis an overview of power amplifier predistortion Volterra series modeling of power amplifiers power amplifier modeling based on neural networks power amplifier modeling with X parameters the modeling of other power amplifiers nonlinear circuit analysis methods and predistortion algorithms and applications Blending theory with analysis this book will provide researchers and RF microwave engineering students with a valuable resource **Complex Digital**

**Hardware Design** Istvan Nagy, 2024-05-09 This book is about how to design the most complex types of digital circuit boards used inside servers routers and other equipment from high level system architecture down to the low level signal integrity concepts It explains common structures and subsystems that can be expanded into new designs in different markets The book is targeted at all levels of hardware engineers There are shorter lower level introductions to every topic while the book also takes the reader all the way to the most complex and most advanced topics of digital circuit design layout design analysis and hardware architecture Frontiers in Physics - Rising Stars Asia Wenxiang Xu, Jinjin Li, Gang Zhang, Xinming Li, Rajarshi Chakrabarti, Kimiko Sekiguchi, Liang Hong, 2022-03-07

Persuasive Advertising J. Armstrong, 2010-05-26 Written by a leading authority this book is a comprehensive and definitive guide to advertising that incorporates a vast amount of research and expert opinion It draws upon the evidence to establish principles that can be applied to achieve successful and effective advertising and evaluates all of the relevant attributes and aspects of this IEICE Transactions on Electronics, 2005 **IEEE Transactions on Circuits and Systems**, 2006 Proceedings National Electric Light

Association,1930    QST ,1925    **The Electrical World** ,1893    **Proceedings of the Cambridge Philosophical Society** Cambridge Philosophical Society,1929    Billboard Music Week ,1929    *Electrical World* ,1893    **The New York Times Index** ,1929    Radio Age ,1926    **Electrical Merchandising** ,1924    **The Electric Journal** ,1919  
    **The Electronics Journal** ,1918    *Electrical Merchandising Week* ,1924 Includes annually 1961 Home goods data book

Thank you very much for downloading **Example Circuit Using Ads 3 02**. Most likely you have knowledge that, people have look numerous time for their favorite books with this Example Circuit Using Ads 3 02, but stop up in harmful downloads.

Rather than enjoying a fine book afterward a mug of coffee in the afternoon, on the other hand they juggled taking into account some harmful virus inside their computer. **Example Circuit Using Ads 3 02** is easy to use in our digital library an online entrance to it is set as public as a result you can download it instantly. Our digital library saves in complex countries, allowing you to acquire the most less latency times to download any of our books taking into account this one. Merely said, the Example Circuit Using Ads 3 02 is universally compatible subsequent to any devices to read.

[https://py.bijouxmedusa.com/files/Resources/Download\\_PDFS/small\\_business\\_ideas\\_ideas\\_usa\\_55\\_510\\_small\\_business\\_ideas\\_ideas\\_united.pdf](https://py.bijouxmedusa.com/files/Resources/Download_PDFS/small_business_ideas_ideas_usa_55_510_small_business_ideas_ideas_united.pdf)

## **Table of Contents Example Circuit Using Ads 3 02**

1. Understanding the eBook Example Circuit Using Ads 3 02
  - The Rise of Digital Reading Example Circuit Using Ads 3 02
  - Advantages of eBooks Over Traditional Books
2. Identifying Example Circuit Using Ads 3 02
  - Exploring Different Genres
  - Considering Fiction vs. Non-Fiction
  - Determining Your Reading Goals
3. Choosing the Right eBook Platform
  - Popular eBook Platforms
  - Features to Look for in an Example Circuit Using Ads 3 02
  - User-Friendly Interface
4. Exploring eBook Recommendations from Example Circuit Using Ads 3 02
  - Personalized Recommendations
  - Example Circuit Using Ads 3 02 User Reviews and Ratings

- Example Circuit Using Ads 3 02 and Bestseller Lists
- 5. Accessing Example Circuit Using Ads 3 02 Free and Paid eBooks
  - Example Circuit Using Ads 3 02 Public Domain eBooks
  - Example Circuit Using Ads 3 02 eBook Subscription Services
  - Example Circuit Using Ads 3 02 Budget-Friendly Options
- 6. Navigating Example Circuit Using Ads 3 02 eBook Formats
  - ePub, PDF, MOBI, and More
  - Example Circuit Using Ads 3 02 Compatibility with Devices
  - Example Circuit Using Ads 3 02 Enhanced eBook Features
- 7. Enhancing Your Reading Experience
  - Adjustable Fonts and Text Sizes of Example Circuit Using Ads 3 02
  - Highlighting and Note-Taking Example Circuit Using Ads 3 02
  - Interactive Elements Example Circuit Using Ads 3 02
- 8. Staying Engaged with Example Circuit Using Ads 3 02
  - Joining Online Reading Communities
  - Participating in Virtual Book Clubs
  - Following Authors and Publishers Example Circuit Using Ads 3 02
- 9. Balancing eBooks and Physical Books Example Circuit Using Ads 3 02
  - Benefits of a Digital Library
  - Creating a Diverse Reading Collection Example Circuit Using Ads 3 02
- 10. Overcoming Reading Challenges
  - Dealing with Digital Eye Strain
  - Minimizing Distractions
  - Managing Screen Time
- 11. Cultivating a Reading Routine Example Circuit Using Ads 3 02
  - Setting Reading Goals Example Circuit Using Ads 3 02
  - Carving Out Dedicated Reading Time
- 12. Sourcing Reliable Information of Example Circuit Using Ads 3 02
  - Fact-Checking eBook Content of Example Circuit Using Ads 3 02
  - Distinguishing Credible Sources

13. Promoting Lifelong Learning
  - Utilizing eBooks for Skill Development
  - Exploring Educational eBooks
14. Embracing eBook Trends
  - Integration of Multimedia Elements
  - Interactive and Gamified eBooks

### **Example Circuit Using Ads 3 02 Introduction**

Example Circuit Using Ads 3 02 Offers over 60,000 free eBooks, including many classics that are in the public domain. Open Library: Provides access to over 1 million free eBooks, including classic literature and contemporary works. Example Circuit Using Ads 3 02 Offers a vast collection of books, some of which are available for free as PDF downloads, particularly older books in the public domain. Example Circuit Using Ads 3 02 : This website hosts a vast collection of scientific articles, books, and textbooks. While it operates in a legal gray area due to copyright issues, its a popular resource for finding various publications. Internet Archive for Example Circuit Using Ads 3 02 : Has an extensive collection of digital content, including books, articles, videos, and more. It has a massive library of free downloadable books. Free-eBooks Example Circuit Using Ads 3 02 Offers a diverse range of free eBooks across various genres. Example Circuit Using Ads 3 02 Focuses mainly on educational books, textbooks, and business books. It offers free PDF downloads for educational purposes. Example Circuit Using Ads 3 02 Provides a large selection of free eBooks in different genres, which are available for download in various formats, including PDF. Finding specific Example Circuit Using Ads 3 02, especially related to Example Circuit Using Ads 3 02, might be challenging as theyre often artistic creations rather than practical blueprints. However, you can explore the following steps to search for or create your own Online Searches: Look for websites, forums, or blogs dedicated to Example Circuit Using Ads 3 02, Sometimes enthusiasts share their designs or concepts in PDF format. Books and Magazines Some Example Circuit Using Ads 3 02 books or magazines might include. Look for these in online stores or libraries. Remember that while Example Circuit Using Ads 3 02, sharing copyrighted material without permission is not legal. Always ensure youre either creating your own or obtaining them from legitimate sources that allow sharing and downloading. Library Check if your local library offers eBook lending services. Many libraries have digital catalogs where you can borrow Example Circuit Using Ads 3 02 eBooks for free, including popular titles. Online Retailers: Websites like Amazon, Google Books, or Apple Books often sell eBooks. Sometimes, authors or publishers offer promotions or free periods for certain books. Authors Website Occasionally, authors provide excerpts or short stories for free on their websites. While this might not be the Example Circuit Using Ads 3 02 full book , it can give you a taste of the authors writing style. Subscription Services Platforms like Kindle

Unlimited or Scribd offer subscription-based access to a wide range of Example Circuit Using Ads 3 02 eBooks, including some popular titles.

### **FAQs About Example Circuit Using Ads 3 02 Books**

How do I know which eBook platform is the best for me? Finding the best eBook platform depends on your reading preferences and device compatibility. Research different platforms, read user reviews, and explore their features before making a choice. Are free eBooks of good quality? Yes, many reputable platforms offer high-quality free eBooks, including classics and public domain works. However, make sure to verify the source to ensure the eBook credibility. Can I read eBooks without an eReader? Absolutely! Most eBook platforms offer web-based readers or mobile apps that allow you to read eBooks on your computer, tablet, or smartphone. How do I avoid digital eye strain while reading eBooks? To prevent digital eye strain, take regular breaks, adjust the font size and background color, and ensure proper lighting while reading eBooks. What the advantage of interactive eBooks? Interactive eBooks incorporate multimedia elements, quizzes, and activities, enhancing the reader engagement and providing a more immersive learning experience. Example Circuit Using Ads 3 02 is one of the best book in our library for free trial. We provide copy of Example Circuit Using Ads 3 02 in digital format, so the resources that you find are reliable. There are also many Ebooks of related with Example Circuit Using Ads 3 02. Where to download Example Circuit Using Ads 3 02 online for free? Are you looking for Example Circuit Using Ads 3 02 PDF? This is definitely going to save you time and cash in something you should think about.

### **Find Example Circuit Using Ads 3 02 :**

~~small business ideas ideas USA 55-510 small business ideas ideas United~~  
~~parenting tips step by step United States 55-770 parenting tips step by~~  
~~America 55-2887 data science careers tools for entrepreneurs 55-773 data~~  
**55-1308 digital marketing tips United States 55-2837 digital marketing**  
**checklist USA 55-2021 minimalist lifestyle checklist for creators**  
**remote jobs blueprint for entrepreneurs 55-497 remote jobs blueprint for**  
~~science careers for beginners USA 55-2035 data science careers for~~  
~~business software America 55-1641 dropshipping business software USA~~  
**app ideas case study for small business 55-2909 mobile app ideas**

**United States 55-781 machine learning basics roadmap for creators**  
**business 55-1635 budget travel roadmap for startups 55-2415 budget**  
freelancing online tips for creators 55-2100 freelancing online tips for  
**USA 55-454 machine learning basics apps for small business 55-1835**  
**healthy recipes explained for entrepreneurs 55-2236 healthy recipes for**  
affiliate marketing checklist United States 55-2588 affiliate marketing

### **Example Circuit Using Ads 3 02 :**

**collection of examination flavius mareka tvet college** - Sep 05 2023

web mar 15 2022 collection of examination results registration 15 march 2022 n4 n6 all engineering courses both part time full time 16 march 2022 n1 n3 all

**2024 applications open at flavius mareka tvet college** - Feb 15 2022

web nov 6 2023 flavius mareka has opened their applications for returning students wanting to study at the college in the 2024 academic year they have also announced details on registration and results advertisement 2024 applications for returning students are now open at flavius mareka tvet college this application period will close on 30 november

**collection of examination flavius mareka tvet college** - Jul 03 2023

web mar 17 2022 collection of examination results registration mphohadi campus n3 n6 to register on the 16th 17th march 2022 from 07 25 until 16 30 all left to register on the 18th march 2022 from 07 25 until 13 00 students results are available from the registrar on the 16th march from 07 25

flavius mareka tvet college matric exams result 2024 - Jun 21 2022

web flavius mareka tvet college matric exams result 2024 kenrry michael no comments the flavius mareka tvet college student result portal was created to make it simple for existing and prospective students of the institution to sign up sign in for an account log in and complete specific academic duties

**flavius mareka tvet college student portal login edurelated** - Dec 28 2022

web aug 10 2023 the flavius mareka tvet college has enabled the student portal for fresh and returning students of the institution to easily access some academic findings such as course registrations checking results academic calendar payment of fees admission status admission list transcripts extra credit hour exam timetable deferment of

**flavius mareka tvet college exams results 2023 2024** - Jan 29 2023

web jan 10 2023 the flavius mareka tvet college exams results 2023 2024 check your exams results the flavius mareka tvet college exams results for the 2023 2024 academic session is been released concurrently flavius mareka tvet college exams

results visit the student portal site [flaviusmareka net](#) check semester exams

**flavius mareka fet college wikipedia** - May 21 2022

web [flavius mareka fet college coordinates 26 81695 s 27 83974 e](#) flavius mareka fet college is situated in the fezile dabi district of the free state province south africa the flavius mareka fet college includes the following former institutions kroonstad mphohadi and sasolburg campus

*flavius mareka tvet college exams instruction 2020 2021 papers result* - Oct 26 2022

web 1 a student is admitted to an examination in a module only if he or she has prepared him or herself satisfactorily through the proper execution of the work and subject to other faculty stipulations 2 in the calculation of the year mark performance in tests and assignments tasks are taken into consideration 3

flavius mareka tvet college exams results 2023 2024 - Feb 27 2023

web the flavius mareka tvet college exams results for the 2023 2024 academic session is been released concurrently flavius mareka tvet college exams results visit the student portal site [flaviusmareka net](#)

flavius mareka tvet college exam result 2023 south africa - Nov 26 2022

web apr 28 2022 flavius mareka tvet college online result checker portal is created for prospective students to check their exam result semester result test result as well as viewing admission list application status aps calculator transcript admission letter etc

*flavius mareka tvet college result portal flaviusmareka net* - Mar 31 2023

web feb 28 2022 on this note flavius mareka tvet college students are advised to follow the procedures below to check their first semester results and also how to calculate their gp p cg grades score you can view your flavius mareka tvet college result online via the institution s portal see also [flavius mareka tvet college student portal](#)

flavius mareka tvet college exams results 2021 2022 - Jun 02 2023

web feb 12 2022 flavius mareka tvet college exams results 2021 2022 check your semester results the management of the flavius mareka tvet college has released the 2021 and 2022 examinations results online students who were finding it hard to check their results can now do so at ease

**flavius mareka further education and training college** - Mar 19 2022

web sep 16 2021 flavius mareka college results info flavius mareka college sasolburg courses flavius mareka fet college exam results info flavius mareka fet college kroonstad campus info flavius mareka college sasolburg info flavius mareka fet college bursaries info flavius mareka fet college brochure flavius mareka fet

flavius mareka tvet college embrace your future - Aug 04 2023

web become a student at the flavius mareka tvet college please contact our admission office on 016 976 0829 who will be

happy to arrange this for you apply for admission

[flavius mareka college results out academic results exam results](#) - Sep 24 2022

web flavius mareka college is education institution in africa and here we have discussed about flavius mareka college results here in this article we have provided all the direct links to download the flavius mareka college results flavius mareka college results 2022 2023 academic year

**flavius mareka tvet college examination results 2023** - Aug 24 2022

web jan 24 2023 the authority of the flavius mareka tvet college has released the academic exams results and results dates for the 2023 2024 session do you want to check flavius mareka tvet college exam results this post will guide you on how to check the test and exam results online via the student portal school website for the

*examination information flavius mareka tvet college* - Oct 06 2023

web examination information flavius mareka tvet college examination information examination time table november 2022 supplementary examination a student must obtain a final exam mark of at least 30 or more to be allowed to enroll for a supplementary examination if less than 30 is obtained the subject must be repeated

**academic board flavius mareka tvet college** - May 01 2023

web committee for quality of service delivery that is responsible to oversee assessments moderations examinations retention rates results and through put rates ms gift ngubeni is the chairperson of the committee

**flavius mareka fet college mabumbe** - Jul 23 2022

web flavius mareka fet college fees structure courses offered prospectus bursaries contacts find flavius mareka fet college application form online selected candidates results joining instruction diploma courses certificate courses undergraduate courses eligibility criteria admission procedure

**flavius mareka tvet college result date 2024 result portal** - Apr 19 2022

web the flavius mareka tvet college fmc examination results for 2024 has been released this is to inform all that candidates that participated in the flavius mareka tvet college fmc examination 2024 that they can now check their results you can now access your 2024 flavius mareka tvet college result via sms or online

**afrikaans handbook and study guide an english student s guide** - Jul 20 2023

web afrikaans handbook and study guide an english student s guide to afrikaans notes rules and useful vocabulary written in english and colour coded for easy understanding and learning

**afrikaans handbook and study guide an english student s guide** - Aug 09 2022

web afrikaans handbook study guide a comprehensive reference book and set of notes that cover everything in one book covers the basics and fills in the gaps practical and user friendly simple visual and logical colour coded

*free downloads via afrika* - Mar 04 2022

web free downloads via afrika expand your learning and career opportunities with up to date comprehensive study guides for all major grade 10 to 12 subjects tvet students access additional data files to enhance your printed books

[the afrikaans handbook study guide journal for language](#) - Oct 11 2022

web dec 1 2001 journal for language teaching 35 no 4 330 the afrikaans handbook study guide a comprehensive set of notes rules and useful vocabulary works all the way from senior primary to matric explanations in english pupils understand retain and apply knowledge colour coded aids understanding and memorising

**formats and editions of afrikaans handbook study guide an** - Mar 16 2023

web showing all editions for afrikaans handbook study guide an english student s guide to afrikaans sort by date edition newest first date edition oldest first updating results

**afrikaans handbook study guide google books** - May 18 2023

web afrikaans handbook study guide beryl lutrin berlut books 2013 afrikaans language 133 pages 0 reviews reviews aren t verified but google checks for and removes fake content when it s identified

**afrikaans study guide pdf download pdfseva com** - Feb 03 2022

web all explanations are in english with examples in afrikaans students want and need an afrikaans handbook and study guide everything is explained simply and concisely in one book learning afrikaans afrikaans should have a practical and useful outcome

*the afrikaans handbook study guide grade 4 12* - Feb 15 2023

web lutrin beryl pdf a comprehensive afrikaans fal reference book and set of notes that covers everything in one book covers the basics of afrikaans and fills in the gaps practical and user friendly simple visual and logical colour coded for easy understanding recall and application r 236 00

**afrikaans handbook and study guide tests krazykrayon co za** - May 06 2022

web feb 7 2018 so i got a hold of the afrikaans handbook and study guide which is a compilation of rules to understand speak read and write the afrikaans language easily the afrikaans handbook and study guide covers language taal comprehension begrip writing skryfwerk literature letterkunde oral communication mondeling

**afrikaans handbook and study guide eduwiz** - Jan 02 2022

web afrikaans handbook and study guide r 340 00 availability 4 in stock can be backordered add to cart sku 9780620325844 categories elkanah grade 10 elkanah grade 7 elkanah grade 8 elkanah grade 9 mps grade 10 mps grade 11 mps grade 9 rallim grade 10 rallim grade 7 rallim grade 8 rallim grade 9 sagan as a level

[the afrikaans handbook and study guide isbn 9780620325844](#) - Apr 05 2022

web includes three books in one a teacher s handbook a student s text book and a home reference book english explanations afrikaans examples colour coded for easy understanding and learning simple and user friendly suitable for remedial students  
*the afrikaans handbook study guide grades 5 to* - Apr 17 2023

web a comprehensive reference book and set of notes that covers everything in one book covers the basics and fills in the gaps practical and user friendly simple visual and logical colour coded for easy understanding recall and application all explanations are in english with afrikaans examples

*the afrikaans handbook and study guide goodreads* - Jul 08 2022

web the afrikaans handbook and study guide an english student s guide to afrikaans paperback

**afrikaans handbook study guide an english student s guide to** - Nov 12 2022

web afrikaans handbook study guide an english student s guide to afrikaans author beryl lutrin summary english reference book for english first language second language foreign language and remedial students primary secondary and tertiary levels

the afrikaans handbook and study guide isbn 9780620325844 - Jun 07 2022

web the afrikaans handbook and study guide berlut books r320 00 write a review sku isbn 9780620325844 availability this title ships within 7 10 days dependent on stock availability shipping cost to your door is based on your total order volume and calculated at checkout quantity add to wish list description

pdf afrikaans handbook study guide book full download - Aug 21 2023

web afrikaans handbook study guide download afrikaans handbook study guide full books in pdf epub and kindle read online afrikaans handbook study guide ebook anywhere anytime directly on your device fast download speed and no annoying ads we cannot guarantee that every ebooks is available

**afrikaans handbook and study guide revised** - Jun 19 2023

web afrikaans handbook and study guide revised edition lutrin b isbn 9780620325844 estimated delivery within 3 5 business day r305 50 add to basket added 08600 study 78839 international 27 0 12 366 5400 we accept the following safe electronics transactions by powered by realm digital cpa

afrikaans handbook and study guide revised - Dec 13 2022

web afrikaans handbook and study guide revised edition lutrin b isbn 9780620325844 estimated delivery within 3 5 business day r357 00 add to basket added 08600 study 78839 international 27 0 12 366 5400 we accept the following safe electronics transactions by powered by realm digital cpa

**afrikaans handbook and study guide an english student s guide** - Jan 14 2023

web jan 1 2017 afrikaans handbook and study guide an english student s guide to afrikaans lutrin beryl 9780620325844

amazon com books books

**afrikaans handbook study guide e book exclusive books** - Sep 10 2022

web a comprehensive afrikaans reference book and set of notes that covers all areas of afrikaans in one book covers the basics and fills in the gaps simple visual and logical format which makes it very practical and user friendly colour coded for easy understanding recall and application

**abseits ist wenn der schiedsrichter pfeift die sc files climagic** - Feb 23 2022

web 4 abseits ist wenn der schiedsrichter pfeift die sc 2020 08 15 das endergebnis notiert werden aber auch ganz andere dinge ausserhalb des spielfeldes für abseits ist

**zitate online de abseits ist wenn der schiedsrichter** - Apr 08 2023

web bücher bei weltbild jetzt abseits ist wenn der schiedsrichter pfeift versandkostenfrei online kaufen bei weltbild ihrem bücher spezialisten

**abseits ist wenn der schiedsrichter pfeift die sc ai classmonitor** - Jun 29 2022

web abseits ist wenn der schiedsrichter pfeift die sc eulenspiegel fußballregeln für fortgeschrittene 50 jahre bundesliga wie ich sie erlebte der schiedsrichter ettlinger

**abseits ist wenn der schiedsrichter pfeift die sc** - Jan 05 2023

web oct 12 2023 abseits ist wenn der schiedsrichter pfeift die sc bearplane deborah underwood 2022 05 31 buckle up for a little bear s first flight in this adorable light as air

**pdf abseits ist wenn der schiedsrichter pfeift die sc** - Mar 07 2023

web abseits ist wenn der schiedsrichter pfeift die sc mitteilungen der sternwarte jul 31 2020 revue roumaine de mathématiques pures et appliquées jan 17 2022

**abseits ist wenn der schiedsrichter pfeift die sc copy** - Jan 25 2022

web mittendrin im abseits abseits ist wenn der schiedsrichter pfeift die sc downloaded from fronteraresources com by guest huerta gill abseits ist wenn der

**read free abseits ist wenn der schiedsrichter pfeift die sc** - Sep 01 2022

web abseits ist wenn der schiedsrichter pfeift die sc 5 5 capitano der deutschen fußballnationalmannschaft das finale verpasste mit seiner autobiografie bietet urs

abseits ist wenn der schiedsrichter pfeift die sc 2023 - Nov 03 2022

web abseits ist wenn der schiedsrichter pfeift die sc der lutheraner aug 24 2020 volkstümliche astronomie im islamischen mittelalter jun 26 2023 this source book

**abseits ist wenn der schiedsrichter pfeift die sc download only** - Jul 31 2022

web abseits ist wenn der schiedsrichter pfeift delius klasing verlag drauen hngt die welt in fetzen lass uns drinnen speck ansetzen hie die erste sammlung von fritz

**abseits ist wenn der schiedsrichter pfeift bersetzung** - Oct 02 2022

web abseits ist wenn der schiedsrichter pfeift die sc wrterbuch der deutschen sprache feb 15 2023 lese schreib und rechnungsbchl fr die deutschen feyertags schulen

**abseits ist wenn der schiedsrichter pfeift diva** - Jun 10 2023

web jun 3 2008 zitate online de sprueche sportler 16351 abseits ist wenn der schiedsrichter pfeift html abseits ist wenn der schiedsrichter pfeift zitat aus

*abseits ist wenn der schiedsrichter pfeift die sc copy* - Mar 27 2022

web 4 abseits ist wenn der schiedsrichter pfeift die sc 2022 01 10 liebe leserinnen unter den 17 unser typen das buch gibt auch wichtige tipps im umang mit beleidigungen

*abseits ist wenn der schiedsrichter pfeift die sc book* - Jul 11 2023

web abseits ist wenn der schiedsrichter pfeift probleme beim bersetzen der fuballterminologie eines deutschen regeltextes ins schwedische frfattare sara

**abseits ist wenn der schiedsrichter pfeift die sc pdf staging** - Apr 27 2022

web abseits ist wenn der schiedsrichter pfeift die sc wissens rtsel profifuball 50 jahre bundesliga wie ich sie erlebte danke linke satzperipherie und wh asymmetrie

**abseits ist wenn der schiedsrichter pfeift die sc 2022** - Nov 22 2021

abseits ist wenn der schiedsrichter pfeift dfb - Oct 14 2023

web wie in allen fllen ist es nmlich der schiedsrichter der die endgltige entscheidung trifft und wenn er aufgrund seiner position zu der berzeugung gelangt dass keine strafbare

*abseits ist wenn der schiedsrichter pfeift buch weltbild* - Feb 06 2023

web this abseits ist wenn der schiedsrichter pfeift die sc but stop up in harmful downloads rather than enjoying a fine ebook with a mug of coffee in the afternoon then again they

**abseits ist wenn der schiedsrichter pfeift die sc 2023** - Aug 12 2023

web abseits ist wenn der schiedsrichter pfeift die sc lehrbuch fr kursusleiter und schiedsrichter feb 07 2021 ich pfeife oct 06 2020 was ein

**abseits ist wenn der schiedsrichter pfeift die sc pdf** - Dec 24 2021

*download free abseits ist wenn der schiedsrichter pfeift die sc* - Dec 04 2022

web abseits ist wenn der schiedsrichter pfeift nz franz beckenbauer ehemaliger fußballspieler trainer und manager englische kennen sie schon die Übersetzungen

abseits ist wenn der schiedsrichter pfeift dfb - Sep 13 2023

web mit seiner aussage abseits ist wenn der schiedsrichter pfeift die enorme macht der unparteiischen schiedsrichterinnen und schiedsrichter schaffen mit ihren

**abseits ist wenn der schiedsrichter pfeift die sc copy dotnbnm** - May 29 2022

web abseits ist wenn der schiedsrichter pfeift die sc raus aus der abseitsfalle die freizeitskicker rammler und alte herren der ball spricht wissens rätsel lehrbuch für

*abseits ist wenn der schiedsrichter pfeift gute zitate* - May 09 2023

web lachen bis der schiri pfeift jetzt als ebook lachen bis der schiri pfeift von joe g hirschhagel dotbooks der ebook verlag

abseits ist wenn der schiri pfeift jul 22