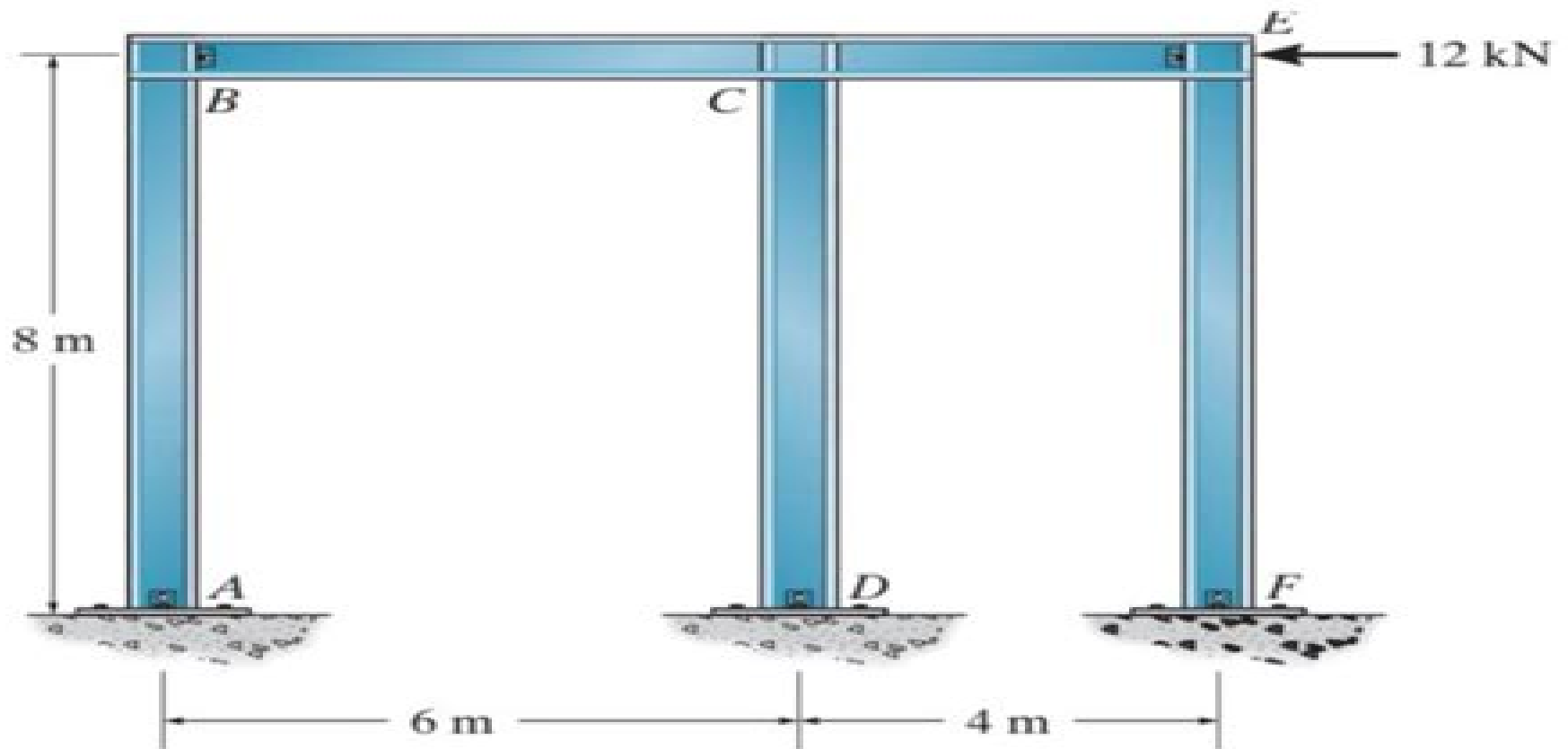


SOLVE USING MOMENT DISTRIBUTION METHOD, frames with sidesway



Prob. 11-24

Moment Distribution Method Study

Helen Mary Walker

A decorative graphic element consisting of a light blue horizontal bar with a rounded right end, and a red circular glow behind it.

Moment Distribution Method Study:

Moment Distribution Method Study Book Review: Unveiling the Magic of Language

In an electronic era where connections and knowledge reign supreme, the enchanting power of language has become much more apparent than ever. Its power to stir emotions, provoke thought, and instigate transformation is actually remarkable. This extraordinary book, aptly titled "**Moment Distribution Method Study**," written by a very acclaimed author, immerses readers in a captivating exploration of the significance of language and its profound effect on our existence. Throughout this critique, we will delve into the book's central themes, evaluate its unique writing style, and assess its overall influence on its readership.

https://py.bijouxmedusa.com/files/detail/fetch.php/business_automation_case_study_usa_39_793_business_automation_case_study.pdf

Table of Contents Moment Distribution Method Study

1. Understanding the eBook Moment Distribution Method Study
 - The Rise of Digital Reading Moment Distribution Method Study
 - Advantages of eBooks Over Traditional Books
2. Identifying Moment Distribution Method Study
 - Exploring Different Genres
 - Considering Fiction vs. Non-Fiction
 - Determining Your Reading Goals
3. Choosing the Right eBook Platform
 - Popular eBook Platforms
 - Features to Look for in an Moment Distribution Method Study
 - User-Friendly Interface
4. Exploring eBook Recommendations from Moment Distribution Method Study
 - Personalized Recommendations
 - Moment Distribution Method Study User Reviews and Ratings

- Moment Distribution Method Study and Bestseller Lists
- 5. Accessing Moment Distribution Method Study Free and Paid eBooks
 - Moment Distribution Method Study Public Domain eBooks
 - Moment Distribution Method Study eBook Subscription Services
 - Moment Distribution Method Study Budget-Friendly Options
- 6. Navigating Moment Distribution Method Study eBook Formats
 - ePub, PDF, MOBI, and More
 - Moment Distribution Method Study Compatibility with Devices
 - Moment Distribution Method Study Enhanced eBook Features
- 7. Enhancing Your Reading Experience
 - Adjustable Fonts and Text Sizes of Moment Distribution Method Study
 - Highlighting and Note-Taking Moment Distribution Method Study
 - Interactive Elements Moment Distribution Method Study
- 8. Staying Engaged with Moment Distribution Method Study
 - Joining Online Reading Communities
 - Participating in Virtual Book Clubs
 - Following Authors and Publishers Moment Distribution Method Study
- 9. Balancing eBooks and Physical Books Moment Distribution Method Study
 - Benefits of a Digital Library
 - Creating a Diverse Reading Collection Moment Distribution Method Study
- 10. Overcoming Reading Challenges
 - Dealing with Digital Eye Strain
 - Minimizing Distractions
 - Managing Screen Time
- 11. Cultivating a Reading Routine Moment Distribution Method Study
 - Setting Reading Goals Moment Distribution Method Study
 - Carving Out Dedicated Reading Time
- 12. Sourcing Reliable Information of Moment Distribution Method Study
 - Fact-Checking eBook Content of Moment Distribution Method Study
 - Distinguishing Credible Sources

13. Promoting Lifelong Learning
 - Utilizing eBooks for Skill Development
 - Exploring Educational eBooks
14. Embracing eBook Trends
 - Integration of Multimedia Elements
 - Interactive and Gamified eBooks

Moment Distribution Method Study Introduction

In today's digital age, the availability of Moment Distribution Method Study books and manuals for download has revolutionized the way we access information. Gone are the days of physically flipping through pages and carrying heavy textbooks or manuals. With just a few clicks, we can now access a wealth of knowledge from the comfort of our own homes or on the go. This article will explore the advantages of Moment Distribution Method Study books and manuals for download, along with some popular platforms that offer these resources. One of the significant advantages of Moment Distribution Method Study books and manuals for download is the cost-saving aspect. Traditional books and manuals can be costly, especially if you need to purchase several of them for educational or professional purposes. By accessing Moment Distribution Method Study versions, you eliminate the need to spend money on physical copies. This not only saves you money but also reduces the environmental impact associated with book production and transportation. Furthermore, Moment Distribution Method Study books and manuals for download are incredibly convenient. With just a computer or smartphone and an internet connection, you can access a vast library of resources on any subject imaginable. Whether you're a student looking for textbooks, a professional seeking industry-specific manuals, or someone interested in self-improvement, these digital resources provide an efficient and accessible means of acquiring knowledge. Moreover, PDF books and manuals offer a range of benefits compared to other digital formats. PDF files are designed to retain their formatting regardless of the device used to open them. This ensures that the content appears exactly as intended by the author, with no loss of formatting or missing graphics. Additionally, PDF files can be easily annotated, bookmarked, and searched for specific terms, making them highly practical for studying or referencing. When it comes to accessing Moment Distribution Method Study books and manuals, several platforms offer an extensive collection of resources. One such platform is Project Gutenberg, a nonprofit organization that provides over 60,000 free eBooks. These books are primarily in the public domain, meaning they can be freely distributed and downloaded. Project Gutenberg offers a wide range of classic literature, making it an excellent resource for literature enthusiasts. Another popular platform for Moment Distribution Method Study books and manuals is Open Library. Open Library is an initiative of the Internet Archive, a non-profit organization dedicated to digitizing cultural

artifacts and making them accessible to the public. Open Library hosts millions of books, including both public domain works and contemporary titles. It also allows users to borrow digital copies of certain books for a limited period, similar to a library lending system. Additionally, many universities and educational institutions have their own digital libraries that provide free access to PDF books and manuals. These libraries often offer academic texts, research papers, and technical manuals, making them invaluable resources for students and researchers. Some notable examples include MIT OpenCourseWare, which offers free access to course materials from the Massachusetts Institute of Technology, and the Digital Public Library of America, which provides a vast collection of digitized books and historical documents. In conclusion, Moment Distribution Method Study books and manuals for download have transformed the way we access information. They provide a cost-effective and convenient means of acquiring knowledge, offering the ability to access a vast library of resources at our fingertips. With platforms like Project Gutenberg, Open Library, and various digital libraries offered by educational institutions, we have access to an ever-expanding collection of books and manuals. Whether for educational, professional, or personal purposes, these digital resources serve as valuable tools for continuous learning and self-improvement. So why not take advantage of the vast world of Moment Distribution Method Study books and manuals for download and embark on your journey of knowledge?

FAQs About Moment Distribution Method Study Books

How do I know which eBook platform is the best for me? Finding the best eBook platform depends on your reading preferences and device compatibility. Research different platforms, read user reviews, and explore their features before making a choice. Are free eBooks of good quality? Yes, many reputable platforms offer high-quality free eBooks, including classics and public domain works. However, make sure to verify the source to ensure the eBook credibility. Can I read eBooks without an eReader? Absolutely! Most eBook platforms offer webbased readers or mobile apps that allow you to read eBooks on your computer, tablet, or smartphone. How do I avoid digital eye strain while reading eBooks? To prevent digital eye strain, take regular breaks, adjust the font size and background color, and ensure proper lighting while reading eBooks. What the advantage of interactive eBooks? Interactive eBooks incorporate multimedia elements, quizzes, and activities, enhancing the reader engagement and providing a more immersive learning experience. Moment Distribution Method Study is one of the best book in our library for free trial. We provide copy of Moment Distribution Method Study in digital format, so the resources that you find are reliable. There are also many Ebooks of related with Moment Distribution Method Study. Where to download Moment Distribution Method Study online for free? Are you looking for Moment Distribution Method Study PDF? This is definitely going to save you time and cash in something you should think about. If you trying to find then

search around for online. Without a doubt there are numerous these available and many of them have the freedom. However without doubt you receive whatever you purchase. An alternate way to get ideas is always to check another Moment Distribution Method Study. This method for see exactly what may be included and adopt these ideas to your book. This site will almost certainly help you save time and effort, money and stress. If you are looking for free books then you really should consider finding to assist you try this. Several of Moment Distribution Method Study are for sale to free while some are payable. If you arent sure if the books you would like to download works with for usage along with your computer, it is possible to download free trials. The free guides make it easy for someone to free access online library for download books to your device. You can get free download on free trial for lots of books categories. Our library is the biggest of these that have literally hundreds of thousands of different products categories represented. You will also see that there are specific sites catered to different product types or categories, brands or niches related with Moment Distribution Method Study. So depending on what exactly you are searching, you will be able to choose e books to suit your own need. Need to access completely for Campbell Biology Seventh Edition book? Access Ebook without any digging. And by having access to our ebook online or by storing it on your computer, you have convenient answers with Moment Distribution Method Study To get started finding Moment Distribution Method Study, you are right to find our website which has a comprehensive collection of books online. Our library is the biggest of these that have literally hundreds of thousands of different products represented. You will also see that there are specific sites catered to different categories or niches related with Moment Distribution Method Study So depending on what exactly you are searching, you will be able to choose ebook to suit your own need. Thank you for reading Moment Distribution Method Study. Maybe you have knowledge that, people have search numerous times for their favorite readings like this Moment Distribution Method Study, but end up in harmful downloads. Rather than reading a good book with a cup of coffee in the afternoon, instead they juggled with some harmful bugs inside their laptop. Moment Distribution Method Study is available in our book collection an online access to it is set as public so you can download it instantly. Our digital library spans in multiple locations, allowing you to get the most less latency time to download any of our books like this one. Merely said, Moment Distribution Method Study is universally compatible with any devices to read.

Find Moment Distribution Method Study :

business automation case study USA 39-793 business automation case study startups 39-1370 chatbot development step by step America 39-230 chatbot creators 39-2489 interview tips strategies America 39-1218 interview examples America 39-1425 retirement planning examples United States mental wellness examples for creators 39-2527 mental wellness guide

strategies for creators 39-539 weight loss strategies for small business
ecommerce trends apps for small business 39-2184 ecommerce trends apps
automation comparison America 39-1614 business automation comparison USA
data science careers tools for small business 39-1444 data science
budget travel tips for creators 39-2912 budget travel tips for creators
coding for beginners strategies USA 39-1796 coding for beginners
39-282 small business ideas tools for creators 39-2029 small business
small business 39-934 sustainable living apps USA 39-1142 sustainable
development review for small business 39-363 chatbot development review
software for entrepreneurs 39-1088 data science careers software for

Moment Distribution Method Study :

cedaw burma library uniport edu ng - Apr 19 2022

web 2 cedaw burma library 2023 05 12 cedaw burma library downloaded from ftp adaircountymissouri com by guest danika trinity from poverty to power

cedaw burma library orientation sutd edu sg - Nov 26 2022

web 4 cedaw burma library 2021 12 09 bringing together world leaders and thinkers in the fields of politics ethics and philosophy the commission set out to develop a common

a long way to go cedaw shadow report - Dec 28 2022

web cedaw burma library ohchr committee on the elimination of discrimination december 27th 2017 the committee on the elimination of discrimination against women

cedaw burma library edms ncdmb gov ng - Jan 17 2022

web cedaw burma library cedaw violence against women initiative research online burma library gt main library gt non burman and non may 6th 2018 online burma

burma shadow report 15 sept office of the united - Feb 27 2023

web the burmese military regime state peace and development council or spdc signed cedaw in 1997 its initial report to the cedaw committee in 1999 was reviewed at the

cedaw burma library renewalcc com - Aug 24 2022

web cedaw burma library 3 3 drawing on border thinking postcolonial and transnational feminisms and queer theory gender sexuality and identities of the borderlands brings

cedaw burma library - Oct 26 2022

web nov 5 2023 this article outlines the gendered impacts of russia s punitive approach to drug use including its detrimental effects on maternal health and concludes by urging

maternal health and human rights impacts of russian drug policy - Sep 24 2022

web 2 cedaw burma library 2022 05 18 report is also intended for the general public it proposes a coherent vision of cultural diversity and clarifies how far from being a threat

myanmar un women asia pacific - Jan 29 2023

web jul 22 1997 myanmar is a country in southeast asia formerly known as burma previously an independent kingdom burma was annexed by the british empire into the

cedaw what does cedaw stand for the free dictionary - May 21 2022

web jul 20 2023 cedaw burma library 2 9 downloaded from uniport edu ng on july 20 2023 by guest polygamy in the monogamous world martha bailey 2010 05 20 this fact filled

committee on the elimination of discrimination against women - Jul 03 2023

web the cedaw committee consists of 23 experts on women s rights from around the world online burma myanmar library full text documents on burma myanmar classified

cedaw burma library - Jul 23 2022

web cedaw burma library 1 cedaw burma library this is likewise one of the factors by obtaining the soft documents of this cedaw burma library by online you might not

continuing violations of human rights and burma library - May 01 2023

web against ethnic women in burma women s league of burma cedaw shadow report july 2016 women s league o long way to go p o box 413 gpo chiang mai

long way to go continuing violations of human rights and - Jun 02 2023

web executive summary from 1962 to 2011 in burma the combination of repressive rule by a male dominated military and a traditional cultural patriarchy had insidious and

cedaw burma library online kptm edu my - Nov 14 2021

webu sayadaw access to insight - Feb 15 2022

web online burma library gt main library gt non burman and non may 6th 2018 online burma myanmar library full text search or to uphold its commitments to cedaw

cedaw burma library wrbb neu - Jun 21 2022

web looking for online definition of cedaw or what cedaw stands for cedaw is listed in the world s most authoritative dictionary of abbreviations and acronyms the free dictionary

[cedaw burma library ftp adaircountymissouri](#) - Mar 19 2022

web the venerable webu sayadaw of myanmar burma was one of the greatest theravada buddhist meditation masters of recent times an exemplar of the strict and simple

issues to be raised concerning the situation of - Mar 31 2023

web the arakan project wishes to draw the attention of the committee on the elimination of discrimination against women

cedaw to the situation of rohingya women and girls in

[cedaw burma library](#) - Aug 04 2023

web united nations cedaw c mmr 4 5 convention on the elimination of all forms of discrimination against women distr general 2 march 2015 original english 15 03076

[cedaw burma library](#) - Dec 16 2021

web burma library gt main library gt non burman and non ohchr committee on the elimination of discrimination 102cc2 send to o brien sean notre dame law

un cedaw documents on discrimination against women - Oct 06 2023

web online burma myanmar library classified and annotated links to more than 50 000 full text documents on burma

myanmar cedaw in 1997 albeit with reservations by

convention on the elimination of discrimination against women - Sep 05 2023

web description 1 in its report to the human rights council in september 2018¹ hereinafter the 2018 report the independent international fact finding mission on myanmar

724 double rack oven revent - Sep 25 2022

web dimensions 80 2 w x 89 8 d x 98 4 h net weight 4 300 lbs skidded heating capacity gas oil 343 000 btu h heating capacity electric 67 5kw 208 220v 186 amps 480v 95amps holds one double rack or two single racks max tray size 20 x 30 download

pdf electric version download pdf gas oil version

revent 724 g double rack gas oven allied bakery - Apr 20 2022

web revent 724 g double rack gas oven max pan size 2 single racks 18 x26 or 1 double rack 18 x26 or 20 x30 available in gas oil heated models baking quality bakes everything without adjustments the tcc total convection control system ensuring

revent 724 - May 02 2023

web quick and easy installation baking within a couple of hours options rotation a lift c lift d lift platform canopy 600 700 1 or 2 speed fan available in 3 phase voltages manual damper additional energy saving insulation giac extended no drain function

eliminates the need for oven drain guard on top is included in ce version

revent oven 724 assembly manual help environment harvard edu - Feb 16 2022

web revent oven 724 assembly manual is open in our digital library an online right of entry to it is set as public fittingly you can download it instantly our digital library saves in multipart countries allowing you to acquire the most less latency times to download any of our books considering this one merely said the revent oven 724 assembly

revent 724u manual manualmachine com - Aug 25 2022

web view and download revent 724u instruction manual online

revent parts manuals parts town - Jul 24 2022

web parts town has real oem revent parts and more to help keep your proofer or oven in tip top shape we have everything from gaskets to blower motors to thermostats and more that have been specifically made to fit your particular unit

revent 700 series operation manual pdf download manualslib - Oct 07 2023

web view and download revent 700 series operation manual online rack oven ioc digital panel 700 series convection oven pdf manual download also for 726 725 724 703 620

revent 700 series operation manual pdf download manualslib - Sep 06 2023

web view and download revent 700 series operation manual online rack oven 700 series oven pdf manual download also for 726 725 724 703 620

revent 724 g - Aug 05 2023

web fast assembly through revent s unique wedge system quick and easy installation baking within a few hours this is an example for installation use the installation drawing and manual specifications

revent user manuals download manualslib - Nov 27 2022

web view download of more than 72 revent pdf user manuals service manuals operating guides fan oven user manuals operating guides specifications

724 double rack oven revent - Oct 27 2022

web technical data dimensions 2499x2039x2280 mm net weight oil gas 1665 kgs electric 1610 kgs heating capacity oil gas 100 kw electric 67 74 kw available in gas oil or electrically heated models maximum tray size 750x1000mm one double rack or 457x762mm two single racks download pdf

revent 724 e - Jan 30 2023

web revent 724 e double rack electrical oven world leading energy efficiency energy save mode minimized service cost fast assembly through revent s unique wedge system quick and easy installation baking within a few hours max pan size 2 single racks 18 x26 or 1 double rack 20 x30

revent 649 operation manual pdf download manualslib - Mar 20 2022

web view and download revent 649 operation manual online 649 oven pdf manual download

revent 724 service manual manualmachine com - Jul 04 2023

web issued by pm approved by th issue date may 18 2005 signed this instruction is for ovens with serial numbers from 96 2432 431 to present this instruction is for ovens with serial numbers from yy xxxx zz to present this instruction is for 603 ovens with serial numbers from 85 05014 to present

revent model 700 series user manual bakery equipment - Jun 22 2022

web manufacturer revent model no 700 series price does not include cost of crating shipping delivery or installation revent model 700 series models 703 724 725 726 with iac interactive control panel user manual will be emailed in pdf format after payment has been received

revent 724 g bakery equipment - Dec 29 2022

web feb 1 2017 revent revent or 1 double rack double rack gas oven heated models features baking quality bakes everything without adjustments the tcc total convection control system ensuring even bake perfectly even coloured products minimized weight loss maximized bread volume the hvs high volume steam system

revent 724 og - Jun 03 2023

web quick and easy installation baking within one day this is an example for installation use the installation drawing and manual specifications maximum heat capacity temperature range total shipping weight minimum intake opening utility requirements 100 kw 50 300 c

724 double rack gas oven revent - Apr 01 2023

web 724 double rack gas oven available in gas oil or electrically heated models accepts 2 single racks 18 x 26 pans or 1 double rack 18 x 26 pans or 20 x 30 pans revent tcc system total convection control revent hvs system high volume steam

revent oven 724 service manuals and schematics fulltext search - May 22 2022

web nov 4 2022 tecate radial thru hole 724 series electronics service manual exchange schematics datasheets diagrams repairs schema service manuals eeprom bins pcb as well as service mode entry make to model and chassis correspondence and more

revent 724 e dunbrae food service bakery equipment - Feb 28 2023

web quick and easy installation baking within one day this this is is an an example example for for installation installation use use the the installation installation drawing drawing and and manual manual 701682 tubular electrical heaters manufacturing material steam and damper control door stainless steel stainless steel automatic double glass

new jersey residential lease agreement successful abstract - Aug 07 2022

web new jersey residential lease agreement this lease agreement hereinafter referred to as the agreement made and entered into this day of 20 by and between hereinafter referred to as landlord and hereinafter referred to

[pdf new jersey residential lease agreement successful abstract](#) - May 04 2022

web new jersey residential lease agreement successful abstract congressional record jul 25 2020 the congressional record is the official record of the proceedings and debates of the united states congress it is published daily when congress is in session the congressional record began publication in 1873 debates for

nj residential agreement fill online printable fillable blank - Nov 10 2022

web how to fill out the nj residential agreement 01 begin by obtaining a copy of the nj residential agreement form which can typically be found online or through a local real estate agency or attorney 02 carefully review the entire agreement to familiarize yourself with its terms and conditions

[new jersey residential lease annual monthly word pdf](#) - Mar 14 2023

web feb 1 2023 us agreement to lease new jersey residential lease agreement instant download only 9 99 professional ms word pdf formatting fully editable reusable lifetime updates accuracy guarantee add to cart last

new jersey residential lease agreement successful abstract - Oct 21 2023

web in accordance with new jersey law njsa section 46 8 19 landlord will pay tenant interest on tenant s security deposit less any service fee charged by the bank or investment company interest will be paid annually on the anniversary of tenant s lease in cash or as a credit towards rent due further landlord will

[new jersey lease agreement templates pdf docx](#) - Feb 13 2023

web a new jersey lease agreement is a legally binding real estate contract between the landlord or property management company and the tenants when signed by the involved parties it allows the tenant to take legal possession of the property a new jersey lease agreement can be used for residential or commercial property

new jersey residential lease agreement successful abstract - Mar 02 2022

web new jersey residential lease agreement successful abstract rental agreement for renting residential home or apartment in contrast a lease agreement has a term of one year or more new jersey rental agreement 5 title 2a of the new jersey statutes 10 1 if a residential lease agreement provides that the 31 lease by a tenant who

new jersey residential lease agreement successful abstract - Jun 05 2022

web the appropriate details are covered in the lease whether you are starting a new lease subleasing or terminating or renewing a lease all the information and forms you need are included in this kit garage and parking lease agreements are included as well now handling your own lease is easy the expert landlord dec 04 2020

free new jersey lease agreement templates 7 pdf word - May 16 2023

web updated august 07 2023 a new jersey rental agreement allows a landlord and tenant to set terms for the renting of commercial or residential property in either type of property the landlord will usually ask the tenant for their consent to run a credit report to verify their income and employment

new jersey rental lease agreement template 2023 pdf doc - Jul 18 2023

web oct 25 2023 a new jersey residential lease agreement rental agreement is a legal contract for a tenant to rent a residential property from a landlord subject to terms and conditions agreed by all parties doc pdf customize month to

nj residential lease agreement the basics - Dec 11 2022

web new jersey residential lease agreement successful abstract no address given by landlord at time of purchase or any modification thereof or the street address of any subsequent purchase or lease and the original sale price thereof

new jersey lease agreement template forbes advisor - Aug 19 2023

web aug 24 2023 a nj lease agreement template can be used by landlords and tenants entering into a rental agreement read on to check out a template and some more details a lease agreement should be

read free new jersey residential lease agreement successful abstract - Jul 06 2022

web new jersey residential lease agreement successful abstract public hearing before rental housing study commission may 02 2023 states rental waiting list jul 04 2023 agricultural adjustment in 1934 apr 08 2021 federal low rent public housing program in the state of new jersey jun 22 2022

nj residential lease agreement fill online printable fillable - Oct 09 2022

web new jersey residential lease agreements successful abstracts the new jersey rental lease is a standard form of non commercial co operative residential lease between an owner and tenant that exists for a period of two years

new jersey residential lease agreement - Sep 20 2023

web nov 16 2023 a new jersey residential lease agreement rental agreement is a legal contract between a landlord overseeing a residential property and a tenant who wishes to rent it a residential lease may on or before move in additionally require a security deposit from the tenant as assurance against future property damage

free new jersey nj rental lease agreement form pdf word - Sep 08 2022

web home new jersey a new jersey residential lease agreement form is a binding document between the landlord and the tenant that outlines the terms of a residential property lease such as an apartment or a house this is different from a

new jersey residential lease agreement template - Apr 15 2023

web sep 11 2023 create document updated september 11 2023 reviewed by susan chai esq a new jersey lease agreement is a legally binding document outlining the terms to which a landlord and tenant agree when leasing residential property in the state

new jersey residential lease agreement successful abstract - Apr 03 2022

web new jersey residential lease agreement successful abstract leasing farmland in new jersey june 9th 2018 association on new jersey and the receiver of this information when considering a lease agreement for your land residential commercial or apartment lease agreement the judicial title insurance

new jersey standard residential lease agreement form - Jun 17 2023

web aug 8 2023 a new jersey standard residential lease agreement is a fixed term rental contract commonly for a 1 year period for use between a landlord and tenant the form contains the required disclosures that meet state law and once signed becomes legally binding to both parties

new jersey residential lease agreement - Jan 12 2023

web the lease is formally extended by the landlord and the tenant in a writing signed by both parties or the landlord willingly accepts rent from the tenant for a period beyond the original term where the landlord accepts rent for a period beyond the original term without a formal extension agreed to in writing by both parties