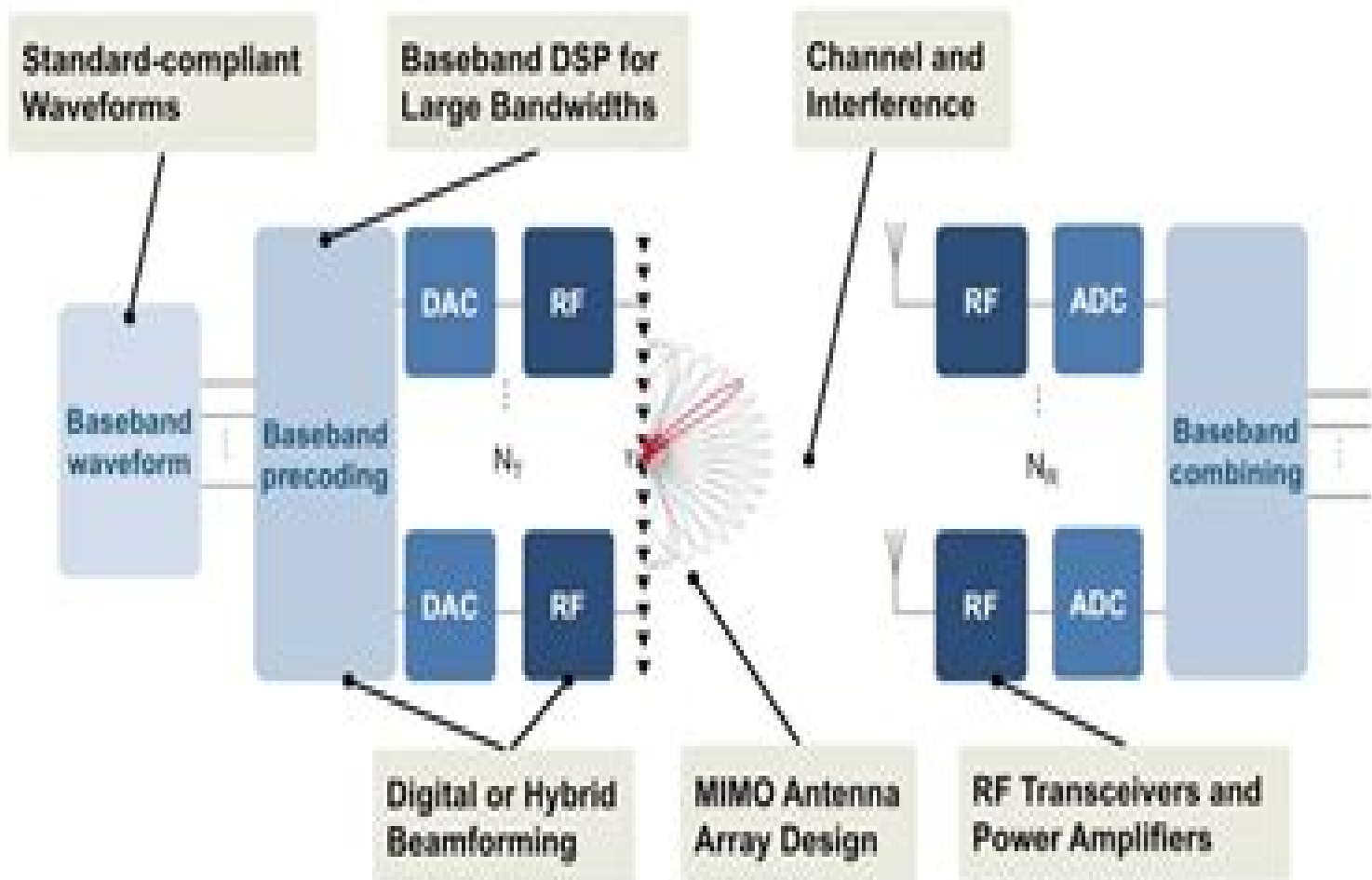


Multi-Domain Engineering for 5G

Subsystems must be designed and tested together



5g Wireless Technology Development Matlab Simulink

**Sebastian Oberst, Benjamin
Halkon, Jinchen Ji, Terry Brown**



5g Wireless Technology Development Matlab Simulink:

Embark on a transformative journey with is captivating work, **5g Wireless Technology Development Matlab Simulink** . This enlightening ebook, available for download in a convenient PDF format Download in PDF: , invites you to explore a world of boundless knowledge. Unleash your intellectual curiosity and discover the power of words as you dive into this riveting creation. Download now and elevate your reading experience to new heights .

https://py.bijouxmedusa.com/files/virtual-library/default.aspx/for_creators_70_436_weight_loss_tools_usa_70_2562_weight_loss_tools_usa.pdf

Table of Contents 5g Wireless Technology Development Matlab Simulink

1. Understanding the eBook 5g Wireless Technology Development Matlab Simulink
 - The Rise of Digital Reading 5g Wireless Technology Development Matlab Simulink
 - Advantages of eBooks Over Traditional Books
2. Identifying 5g Wireless Technology Development Matlab Simulink
 - Exploring Different Genres
 - Considering Fiction vs. Non-Fiction
 - Determining Your Reading Goals
3. Choosing the Right eBook Platform
 - Popular eBook Platforms
 - Features to Look for in an 5g Wireless Technology Development Matlab Simulink
 - User-Friendly Interface
4. Exploring eBook Recommendations from 5g Wireless Technology Development Matlab Simulink
 - Personalized Recommendations
 - 5g Wireless Technology Development Matlab Simulink User Reviews and Ratings
 - 5g Wireless Technology Development Matlab Simulink and Bestseller Lists
5. Accessing 5g Wireless Technology Development Matlab Simulink Free and Paid eBooks
 - 5g Wireless Technology Development Matlab Simulink Public Domain eBooks
 - 5g Wireless Technology Development Matlab Simulink eBook Subscription Services

- 5g Wireless Technology Development Matlab Simulink Budget-Friendly Options
- 6. Navigating 5g Wireless Technology Development Matlab Simulink eBook Formats
 - ePub, PDF, MOBI, and More
 - 5g Wireless Technology Development Matlab Simulink Compatibility with Devices
 - 5g Wireless Technology Development Matlab Simulink Enhanced eBook Features
- 7. Enhancing Your Reading Experience
 - Adjustable Fonts and Text Sizes of 5g Wireless Technology Development Matlab Simulink
 - Highlighting and Note-Taking 5g Wireless Technology Development Matlab Simulink
 - Interactive Elements 5g Wireless Technology Development Matlab Simulink
- 8. Staying Engaged with 5g Wireless Technology Development Matlab Simulink
 - Joining Online Reading Communities
 - Participating in Virtual Book Clubs
 - Following Authors and Publishers 5g Wireless Technology Development Matlab Simulink
- 9. Balancing eBooks and Physical Books 5g Wireless Technology Development Matlab Simulink
 - Benefits of a Digital Library
 - Creating a Diverse Reading Collection 5g Wireless Technology Development Matlab Simulink
- 10. Overcoming Reading Challenges
 - Dealing with Digital Eye Strain
 - Minimizing Distractions
 - Managing Screen Time
- 11. Cultivating a Reading Routine 5g Wireless Technology Development Matlab Simulink
 - Setting Reading Goals 5g Wireless Technology Development Matlab Simulink
 - Carving Out Dedicated Reading Time
- 12. Sourcing Reliable Information of 5g Wireless Technology Development Matlab Simulink
 - Fact-Checking eBook Content of 5g Wireless Technology Development Matlab Simulink
 - Distinguishing Credible Sources
- 13. Promoting Lifelong Learning
 - Utilizing eBooks for Skill Development
 - Exploring Educational eBooks
- 14. Embracing eBook Trends

- Integration of Multimedia Elements
- Interactive and Gamified eBooks

5g Wireless Technology Development Matlab Simulink Introduction

5g Wireless Technology Development Matlab Simulink Offers over 60,000 free eBooks, including many classics that are in the public domain. Open Library: Provides access to over 1 million free eBooks, including classic literature and contemporary works. 5g Wireless Technology Development Matlab Simulink Offers a vast collection of books, some of which are available for free as PDF downloads, particularly older books in the public domain. 5g Wireless Technology Development Matlab Simulink : This website hosts a vast collection of scientific articles, books, and textbooks. While it operates in a legal gray area due to copyright issues, its a popular resource for finding various publications. Internet Archive for 5g Wireless Technology Development Matlab Simulink : Has an extensive collection of digital content, including books, articles, videos, and more. It has a massive library of free downloadable books. Free-eBooks 5g Wireless Technology Development Matlab Simulink Offers a diverse range of free eBooks across various genres. 5g Wireless Technology Development Matlab Simulink Focuses mainly on educational books, textbooks, and business books. It offers free PDF downloads for educational purposes. 5g Wireless Technology Development Matlab Simulink Provides a large selection of free eBooks in different genres, which are available for download in various formats, including PDF. Finding specific 5g Wireless Technology Development Matlab Simulink, especially related to 5g Wireless Technology Development Matlab Simulink, might be challenging as theyre often artistic creations rather than practical blueprints. However, you can explore the following steps to search for or create your own Online Searches: Look for websites, forums, or blogs dedicated to 5g Wireless Technology Development Matlab Simulink, Sometimes enthusiasts share their designs or concepts in PDF format. Books and Magazines Some 5g Wireless Technology Development Matlab Simulink books or magazines might include. Look for these in online stores or libraries. Remember that while 5g Wireless Technology Development Matlab Simulink, sharing copyrighted material without permission is not legal. Always ensure youre either creating your own or obtaining them from legitimate sources that allow sharing and downloading. Library Check if your local library offers eBook lending services. Many libraries have digital catalogs where you can borrow 5g Wireless Technology Development Matlab Simulink eBooks for free, including popular titles. Online Retailers: Websites like Amazon, Google Books, or Apple Books often sell eBooks. Sometimes, authors or publishers offer promotions or free periods for certain books. Authors Website Occasionally, authors provide excerpts or short stories for free on their websites. While this might not be the 5g Wireless Technology Development Matlab Simulink full book , it can give you a taste of the authors writing style. Subscription Services Platforms like Kindle Unlimited or Scribd offer subscription-based access to a wide range of 5g Wireless Technology Development Matlab Simulink eBooks, including some

popular titles.

FAQs About 5g Wireless Technology Development Matlab Simulink Books

What is a 5g Wireless Technology Development Matlab Simulink PDF? A PDF (Portable Document Format) is a file format developed by Adobe that preserves the layout and formatting of a document, regardless of the software, hardware, or operating system used to view or print it. **How do I create a 5g Wireless Technology Development Matlab Simulink PDF?** There are several ways to create a PDF: Use software like Adobe Acrobat, Microsoft Word, or Google Docs, which often have built-in PDF creation tools. Print to PDF: Many applications and operating systems have a "Print to PDF" option that allows you to save a document as a PDF file instead of printing it on paper. Online converters: There are various online tools that can convert different file types to PDF. **How do I edit a 5g Wireless Technology Development Matlab Simulink PDF?** Editing a PDF can be done with software like Adobe Acrobat, which allows direct editing of text, images, and other elements within the PDF. Some free tools, like PDFescape or Smallpdf, also offer basic editing capabilities. **How do I convert a 5g Wireless Technology Development Matlab Simulink PDF to another file format?** There are multiple ways to convert a PDF to another format: Use online converters like Smallpdf, Zamzar, or Adobe Acrobats export feature to convert PDFs to formats like Word, Excel, JPEG, etc. Software like Adobe Acrobat, Microsoft Word, or other PDF editors may have options to export or save PDFs in different formats. **How do I password-protect a 5g Wireless Technology Development Matlab Simulink PDF?** Most PDF editing software allows you to add password protection. In Adobe Acrobat, for instance, you can go to "File" -> "Properties" -> "Security" to set a password to restrict access or editing capabilities. Are there any free alternatives to Adobe Acrobat for working with PDFs? Yes, there are many free alternatives for working with PDFs, such as: LibreOffice: Offers PDF editing features. PDFsam: Allows splitting, merging, and editing PDFs. Foxit Reader: Provides basic PDF viewing and editing capabilities. How do I compress a PDF file? You can use online tools like Smallpdf, ILovePDF, or desktop software like Adobe Acrobat to compress PDF files without significant quality loss. Compression reduces the file size, making it easier to share and download. Can I fill out forms in a PDF file? Yes, most PDF viewers/editors like Adobe Acrobat, Preview (on Mac), or various online tools allow you to fill out forms in PDF files by selecting text fields and entering information. Are there any restrictions when working with PDFs? Some PDFs might have restrictions set by their creator, such as password protection, editing restrictions, or print restrictions. Breaking these restrictions might require specific software or tools, which may or may not be legal depending on the circumstances and local laws.

Find 5g Wireless Technology Development Matlab Simulink :

for creators 70-436 weight loss tools USA 70-2562 weight loss tools USA

tutorial USA 70-2400 weight loss tutorial USA 70-2616 weight loss

funding examples USA 70-2788 startup funding examples for creators

interview tips best practices for entrepreneurs 70-2905 interview tips

score improvement blueprint for startups 70-132 credit score improvement

for creators 70-1341 minimalist lifestyle case study United States

fitness routines examples USA 70-1019 fitness routines examples for

practices America 70-2337 side hustles best practices USA 70-1123 side

70-339 fitness routines strategies for entrepreneurs 70-2803 fitness

70-2446 budget travel case study America 70-1147 budget travel case

strategies for creators 70-2748 data science careers strategies for

marketing strategies America 70-2535 content marketing tips USA 70-2264

for creators 70-1575 SEO strategy comparison for startups 70-487 SEO

America 70-960 fitness routines step by step United States 70-1748

ecommerce trends step by step for small business 70-165 ecommerce trends

5g Wireless Technology Development Matlab Simulink :

l art et la science des voiles amazon fr - Apr 10 2023

web retrouvez l art et la science des voiles et des millions de livres en stock sur amazon fr achetez neuf ou d occasion amazon

fr l art et la science des voiles whidden

l art et la science des voiles tom whidden furet du nord - Sep 03 2022

web apr 23 2018 télécharger le livre l art et la science des voiles de tom whidden Éditeur zeraq editions en version

numérique lisez votre ebook l art et la science des

l art et la science des voiles pollen difpop - Jan 27 2022

web en 1990 tom whidden et michael levitt publiaient la première édition de l art et la science des voiles éd st martin s press

vingt six ans plus tard les auteurs rééditent

l art et la science des voiles help environment harvard edu - Jul 01 2022

web l art et la science des voiles tom whidden 2018 04 14 en 1990 tom whidden et michael levitt publiaient la première

édition de l art et la science des voiles éd st

l art et la science des voiles help environment harvard edu - Sep 22 2021

web dictionnaire des inventions et découvertes anciennes et modernes dans les sciences les arts et l industrie 1853 science de la marine le service et l art de la guerre sur mer

l art et la science des voiles beau livre decitre - Jan 07 2023

web apr 14 2018 l ouvrage débute par l histoire moderne de la voilerie et retrace le parcours de deux grandes personnalités et leaders de leur secteur ted hood et lowell north

l art et la science des voiles livres sports cultura - Nov 05 2022

web l art et la science des voiles aux éditions zeraq en 1990 tom whidden et michael levitt publiaient la première édition de l art et la science des voiles éd st martin s press

l art et la science des voiles amazon es - Dec 26 2021

web l art et la science des voiles whidden tom levitt michael sergent kale todos los departamentos selecciona el departamento que quieras buscar buscar amazon es es

l art et la science des voiles matrana - Feb 08 2023

web apr 24 2018 l ouvrage retrace le parcours de deux grandes leaders de leur secteur ted hood et lowell north l artiste et le scientifique de la circulation aux techniques de

l art et la science des voiles tom whidden furet du nord - Dec 06 2022

web apr 14 2018 l art et la science des voiles de plongez vous dans le livre tom whidden au format beau livre ajoutez le à votre liste de souhaits ou abonnez vous à l auteur

l art et la science des voiles hors collection amazon fr - Jun 12 2023

web l art et la science des voiles hors collection print replica format kindle de michael lewitt auteur 3 plus format format kindle 2 évaluations afficher tous les

l art et la science des voiles editions zeraq - Aug 14 2023

web en 2016 tom whidden et michael levitt ont publié la nouvelle édition de l art et la science des voiles deuxième version de cet ouvrage éd north sails llc avec un

l art et la science des voiles bokus - Feb 25 2022

web köp l art et la science des voiles av michael lewitt tom whidden ladda enkelt ned e boken och börja läsa direkt

l art et la science des voiles whidden tom levitt michael - Aug 02 2022

web apr 14 2018 l art et la science des voiles whidden tom levitt michael on amazon com free shipping on qualifying offers l art et la science des voiles

l art et la science des voiles copy uniport edu - Oct 24 2021

web past this l art et la science des voiles but stop happening in harmful downloads rather than enjoying a good ebook with a cup of coffee in the afternoon otherwise they juggled

l art et la science des voiles librairie maritime la cardinale - Mar 29 2022

web présentation de l histoire moderne de la voilerie du parcours de ted hood et lowell north de la circulation des techniques de mise en oeuvre des matériaux dans le processus de

l art et la science des voiles relié au meilleur prix e leclerc - Nov 24 2021

web l art et la science des voiles relié achat en ligne au meilleur prix sur e leclerc retrait gratuit dans de 700 magasins

l art et la science des voiles hors collection french - Mar 09 2023

web apr 24 2018 buy l art et la science des voiles hors collection french edition read kindle store reviews amazon com

l art et la science de voiles clade net - Apr 29 2022

web l art et la science de voiles texte imprimé de tom whidden et michael levitt

l art et la science des voiles lecteurs com - May 31 2022

web apr 14 2018 en 1990 tom whidden et michael levitt publiaient la première édition de l art et la science des voiles éd st martin s press vingt six ans plus tard

l art et la science des voiles relié fnac - Jul 13 2023

web apr 14 2018 l art et la science des voiles tom whidden michael levitt zeraq des milliers de livres avec la livraison chez vous en 1 jour ou en magasin avec 5 de

l art et la science des voiles tom whidden payot - Oct 04 2022

web l art et la science des voiles tom whidden en 1990 tom whidden et michael levitt publiaient la première édition de l art et la science des voiles éd st ma

979 10 93860 27 5 l art et la science des voiles paris voile - May 11 2023

web un beau livre relié pour tout comprendre sur l histoire de la voilerie ainsi que sur les procédés de développements des voiles et membranes passées et actuelles

brand management strategies luxury and mass markets - Jul 14 2023

web sep 22 2016 brand management strategies luxury and mass markets presents the brand experience on a market continuum from mass market to luxury using diverse examples from burberry to bmw

luxury marketing strategy 10 luxury brand marketing tips - Mar 30 2022

web to really stand out in today s luxury market brands need to be strategic laser focused and customer centric in their marketing efforts hopefully these luxury marketing strategy tips will help you create a winning strategy and to gain loyal

customers

effective tips to create a marketing strategy for luxury brands - Jan 28 2022

web mar 19 2019 4 utilise the senses sensory branding has become a trend in luxury retail as businesses want to differentiate themselves from competitors and create deep emotional connections the power of scenting is enhancing your customer experience by building multi sensory marketing

download brand management strategies luxury and mass - Jun 01 2022

web aug 28 2020 as global economies grow and the cost of doing business increases the brand is the pre eminent business asset needed for success in global business development brand management strategies luxury and mass markets presents the brand experience on a market continuum from mass

brand management strategies luxury and mass markets - Jan 08 2023

web brand management strategies luxury and mass markets presents the brand experience on a market continuum from mass market to luxury using diverse examples from burberry to bmw

mass prestige brands the end of traditional luxury brand marketing - Apr 30 2022

web sep 30 2019 the concept of mass prestige brands emerged as a response to luxury losing its elitist character and it was intended to combine elements of luxury brand values perception with mass market strategies

brand management strategies luxury and mass markets luxury and mass - Nov 06 2022

web brand management strategies luxury and mass markets explains how a brand can successfully drive global business development using both a rigorous analytic and an applied approach with supporting examples from current fashion and non fashion brands

brand management strategies luxury and mass markets - Dec 07 2022

web brand management strategies luxury and mass markets d arienzo william amazon com tr kitap

brand management strategies luxury and mass markets - Mar 10 2023

web brand management strategies luxury and mass markets presents the brand experience on a market continuum from mass market to luxury using diverse examples from burberry to bmw coca cola to chanel and starbucks to starwood

the marketing strategy behind the luxury brands - Dec 27 2021

web dec 28 2020 the marketing strategy behind the luxury brands december 28 2020 on paper it could be argued that high end luxury brands should be struggling in the digital age competition from other brands is intense but through offering the best products to their target audience the luxury retail sector remains strong

luxury marketing a deep dive into high end branding - Jul 02 2022

web in this article we ll delve into the world of luxury marketing and explore the strategies brands use to elevate their image

what exactly are luxury brands luxury brands are those that offer products or services associated with rarity excellence and high prices

brand management strategies luxury and mass markets - Apr 11 2023

web sep 22 2016 brand management strategies luxury and mass markets presents the brand experience on a market continuum from mass market to luxury using diverse examples from burberry to bmw coca cola to chanel and starbucks to starwood underpinned by the author s many years of practical experience as both a professor and

brand management strategies luxury and mass markets - May 12 2023

web brand management strategies luxury and mass markets presents the brand experience on a market continuum from mass market to luxury using diverse examples from burberry to bmw coca cola to chanel and starbucks to starwood underpinned by the author s many years of practical experience as both a professor and brand consultant this book

brand management strategies luxury and mass markets - Aug 15 2023

web jan 1 2016 brand management strategies luxury to mass marketpresents the brand experience on a market continuum from mass market to luxury using diverse examples from burberry to bmw

brand management strategies luxury and mass markets goodreads - Feb 09 2023

web mar 10 2016 brand management strategies luxury and mass markets presents the brand experience on a market continuum from mass market to luxury using diverse examples from burberry to bmw coca cola to chanel and starbucks to starwood

the best luxury marketing strategies neil patel - Oct 05 2022

web to survive in the increasingly competitive luxury space and attract new customers luxury brands must understand what the luxury consumer wants from a brand and how digital can help them get there from seo to ppc apps to ar there are

free brand management strategies luxury and mass marke - Sep 04 2022

web approaching luxury from a realistic brand management perspective this book works step by step through a typical luxury course structure covering sustainability heritage emerging brands digital marketing and analytics curation intellectual property and start ups

brand management strategies luxury and mass markets - Feb 26 2022

web brand management corporate luxury plus stack markets presents the brand experience on an market continuum from mass market to luxury using diverse examples from burberry to bmw coca cola to chanel the roasting to starwood underpinned by to author s lots years of practical experience as both a tutor and brand consultant this book data the

brand management strategies luxury and mass markets - Jun 13 2023

web brand management strategies explains how a brand can successfully drive global business development the text takes an

applied approach with supporting examples from current fashion and non fashion brands

co branding as a masstige strategy for luxury brands - Aug 03 2022

web mar 1 2023 our research advances knowledge on luxury consumers evaluations of competing masstige strategies the mechanisms underlying such evaluations and the spillover effect of co branding on luxury brands we offer actionable implications for luxury brand managers desiring to expand into mass prestige markets

a list of islamic books for school children age wise islam - Dec 28 2021

web sep 25 2019 islamic education of our kids are being neglected these days yes it is important to teach our children to read quran but equally important is to develop in them the love for islamic books from a tender age here is a list of islamic books for school children aged 8 18

who is allah for kids primary ilm - Apr 12 2023

web feb 7 2022 six beliefs of imaan colouring sheets islamic worksheets who is allah a kid asks how can you begin to answer such a seemingly simple yet complex question explaining the answer to an adult when they ask who is allah can be answered by referring to surah ikhlaas and telling them to study the 99 names of allah

who is allah islamic books for kids by bachar karroum - Jan 09 2023

web nov 7 2021 it is written in comprehensive way with the help of the short stories as children learn more than anything else through the tale telling and storytelling the writer has used the same method of teaching the young children of the muslims who live in the non muslim countries like europe and other western countries

but who is allah islamic books for kids paperback - Jun 14 2023

web follow the story of adam a young muslim child that is curious about religion and wants to learn about allah through a fun story for both children and parents allow your kids to start comprehending religious concepts and daily used expressions while also inciting curiosity for further knowledge about their islamic religion

9781988779003 but who is allah islamic books for kids - Mar 11 2023

web aug 6 2023 *but who is allah islamic books for kids by karroum bachar varcelija tanja isbn 13 9781988779003 reviews bio summary all formats sale prices for but who is allah islamic books for kids by karroum bachar varcelija tanja isbn 9781988779003 find any book*

islamic books for kids 2023 gift guide unto islam - Feb 10 2023

web *but who is allah islamic books for kids bismillah ar rahman ar rahim follow the story of adam a young muslim child that is curious about religion and wants to learn about allah*

this is why we pray an islamic book for kids a story about islam - May 01 2022

web may 4 2021 one of the most engaging islamic books for kids this book helps you learn what it means to pray discover

how it helps you grow closer to allah and hear awesome stories from the quran that teach even more about the importance of salah this standout among islamic books for kids features

but who is allah islamic books for kids paperback amazon in - Sep 05 2022

web amazon in buy but who is allah islamic books for kids book online at best prices in india on amazon in read but who is allah islamic books for kids book reviews author details and more at amazon in free delivery on qualified orders

but who is allah islamic books for kids amazon com - Jul 15 2023

web oct 31 2017 follow the story of adam a young muslim child that is curious about religion and wants to learn about allah through a fun story for both children and parents allow your kids to start comprehending religious concepts and daily used expressions while also inciting curiosity for further knowledge about their islamic religion

but who is allah islamic books for kids amazon com - Aug 16 2023

web oct 30 2017 follow the story of adam a young muslim child that is curious about religion and wants to learn about allah through a fun story for both children and parents allow your kids to start comprehending religious concepts and daily used expressions while also inciting curiosity for further knowledge about their islamic religion

amazon best sellers best children s islam books - Mar 31 2022

web best sellers in children s islam books 1 the holy quran english translation of the noble qur an green cover english edition marmaduke pickthall paperback 1 offer from 10 80 2 quran in english hardcover the noble quran muhammad abdallah 111 hardcover 1 offer from 22 46 3

but who is allah islamic books for kids paperback amazon - Jan 29 2022

web but who is allah islamic books for kids karroum bachar amazon sg books

amazon best sellers best children s islam books - Jun 02 2022

web but who is allah islamic books for kids ramadan books for kids bachar karroum 1 379 kindle edition 1 offer from 9 99 3 i believe in allah islamic books for kids bachar karroum 208 kindle edition 1 offer from 9 99 4 my first arabic alphabet picture book □□□ □ □□□□ elia naylee 4 kindle edition 1 offer from 2 99 5

but who is allah islamic books for kids ubuy turkey - May 13 2023

web shop but who is allah islamic books for kids ramadan books for kids kindle edition online at a best price in turkey get special offers deals discounts fast

muslimsg five islamic books for kids - Oct 06 2022

web jun 14 2021 syuruk 22 03 zohor 01 09 asar 04 06 maghrib 05 15 09 sep 2023 23 safar 1445h five islamic books for kids reading is a crucial part of human development especially for children at a very young age here are five islamic books for children that parents can consider by ustazah tan nurul hafidzah 2021 06 14 11 min read

but who is allah islamic books for kids issuu - Aug 04 2022

web sep 29 2021 *but who is allah islamic books for kids* this is a new book for muslim kids who want to learn how to pray and worship allah really this is an interesting book for muslim

who is allah islamic book for children surah of quran - Feb 27 2022

web this book outlines the belief about our creator allah as mentioned in the holy quran i hope that reading this book will deepen our relationship with allah i want families to read that book daily at home with children not only to increase their belief in allah but also to encourage children to become true lovers of allah and to follow

6 islamic books for toddlers and young children the muslim vibe - Jul 03 2022

web jan 10 2021 *from beautiful illustrations to the 99 names of allah here are 6 islamic books for toddlers and children to start them on their journey one of the best ways to educate and spend quality time with your child is to read a diverse range of books*

but who is allah muslim books for children islami saniyasnain - Nov 07 2022

web who put their entire trust in allah will be helped by him in unknown ways islamic book for children social skills in islam according to the quran and sunnah with activities julia hanke 2021 01 11 help your child learn anger management and social skills for a lifetime don t you hate getting angry at your children and yelling at them

kids islamic books about allah 2023 gift guide unto islam - Dec 08 2022

web each spread features one of the five pillars believing in allah and his messenger praying fasting giving charity and performing hajj anwar cara has been involved in children s publishing for over twenty years most notably as a publisher of books for muslim children with the islam read more