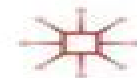
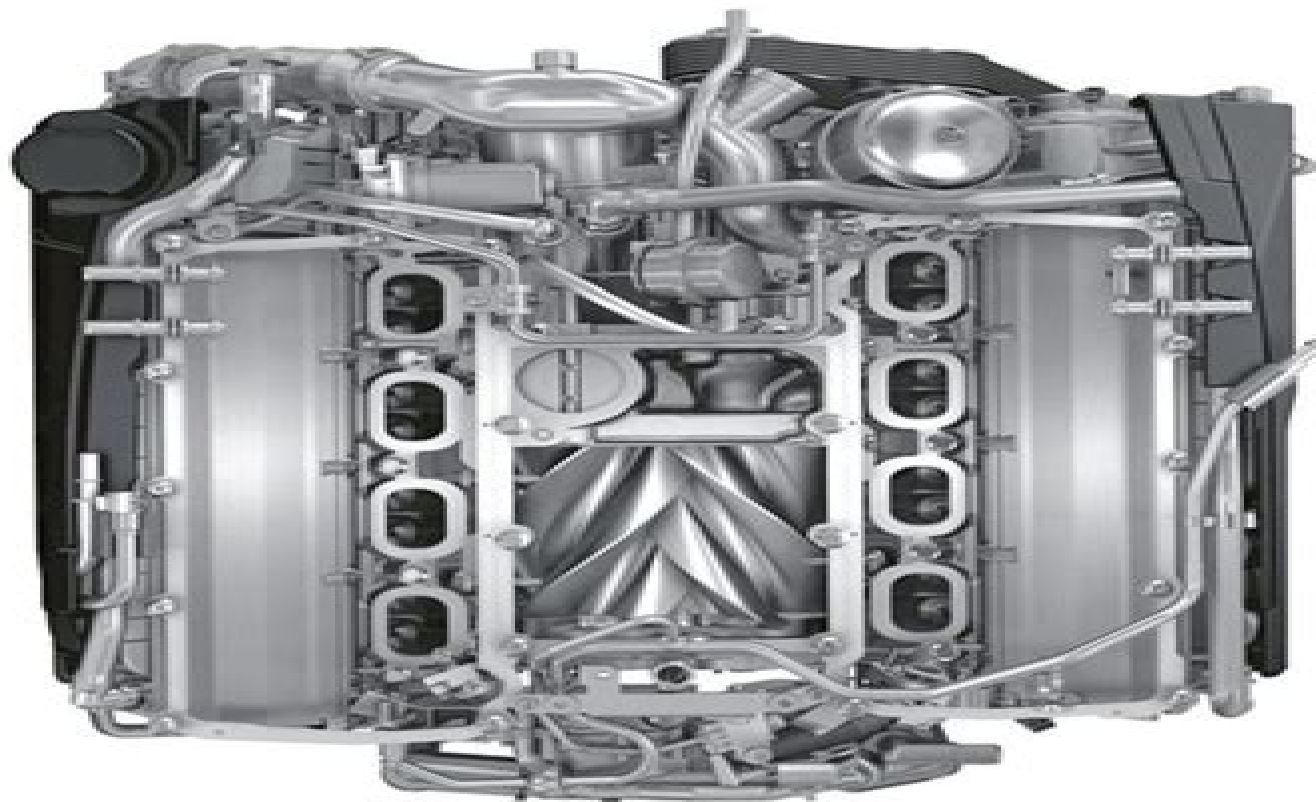


INTRODUCTION TO INTERNAL COMBUSTION ENGINES

RICHARD STONE

4th Edition



Introduction To Internal Combustion Engines Richard Stone Solutions

Yicheng Fang



Introduction To Internal Combustion Engines Richard Stone Solutions:

As recognized, adventure as capably as experience more or less lesson, amusement, as skillfully as settlement can be gotten by just checking out a ebook **Introduction To Internal Combustion Engines Richard Stone Solutions** along with it is not directly done, you could acknowledge even more around this life, around the world.

We manage to pay for you this proper as capably as simple quirk to acquire those all. We present Introduction To Internal Combustion Engines Richard Stone Solutions and numerous books collections from fictions to scientific research in any way. in the course of them is this Introduction To Internal Combustion Engines Richard Stone Solutions that can be your partner.

https://py.bijouxmedusa.com/results/publication/Download_PDFS/Small_Business_14_542_Luxury_Travel_Review_America_14_805_Luxury_Travel.pdf

Table of Contents Introduction To Internal Combustion Engines Richard Stone Solutions

1. Understanding the eBook Introduction To Internal Combustion Engines Richard Stone Solutions
 - The Rise of Digital Reading Introduction To Internal Combustion Engines Richard Stone Solutions
 - Advantages of eBooks Over Traditional Books
2. Identifying Introduction To Internal Combustion Engines Richard Stone Solutions
 - Exploring Different Genres
 - Considering Fiction vs. Non-Fiction
 - Determining Your Reading Goals
3. Choosing the Right eBook Platform
 - Popular eBook Platforms
 - Features to Look for in an Introduction To Internal Combustion Engines Richard Stone Solutions
 - User-Friendly Interface
4. Exploring eBook Recommendations from Introduction To Internal Combustion Engines Richard Stone Solutions
 - Personalized Recommendations
 - Introduction To Internal Combustion Engines Richard Stone Solutions User Reviews and Ratings
 - Introduction To Internal Combustion Engines Richard Stone Solutions and Bestseller Lists

5. Accessing Introduction To Internal Combustion Engines Richard Stone Solutions Free and Paid eBooks
 - Introduction To Internal Combustion Engines Richard Stone Solutions Public Domain eBooks
 - Introduction To Internal Combustion Engines Richard Stone Solutions eBook Subscription Services
 - Introduction To Internal Combustion Engines Richard Stone Solutions Budget-Friendly Options
6. Navigating Introduction To Internal Combustion Engines Richard Stone Solutions eBook Formats
 - ePub, PDF, MOBI, and More
 - Introduction To Internal Combustion Engines Richard Stone Solutions Compatibility with Devices
 - Introduction To Internal Combustion Engines Richard Stone Solutions Enhanced eBook Features
7. Enhancing Your Reading Experience
 - Adjustable Fonts and Text Sizes of Introduction To Internal Combustion Engines Richard Stone Solutions
 - Highlighting and Note-Taking Introduction To Internal Combustion Engines Richard Stone Solutions
 - Interactive Elements Introduction To Internal Combustion Engines Richard Stone Solutions
8. Staying Engaged with Introduction To Internal Combustion Engines Richard Stone Solutions
 - Joining Online Reading Communities
 - Participating in Virtual Book Clubs
 - Following Authors and Publishers Introduction To Internal Combustion Engines Richard Stone Solutions
9. Balancing eBooks and Physical Books Introduction To Internal Combustion Engines Richard Stone Solutions
 - Benefits of a Digital Library
 - Creating a Diverse Reading Collection Introduction To Internal Combustion Engines Richard Stone Solutions
10. Overcoming Reading Challenges
 - Dealing with Digital Eye Strain
 - Minimizing Distractions
 - Managing Screen Time
11. Cultivating a Reading Routine Introduction To Internal Combustion Engines Richard Stone Solutions
 - Setting Reading Goals Introduction To Internal Combustion Engines Richard Stone Solutions
 - Carving Out Dedicated Reading Time
12. Sourcing Reliable Information of Introduction To Internal Combustion Engines Richard Stone Solutions
 - Fact-Checking eBook Content of Introduction To Internal Combustion Engines Richard Stone Solutions
 - Distinguishing Credible Sources
13. Promoting Lifelong Learning

- Utilizing eBooks for Skill Development
- Exploring Educational eBooks

14. Embracing eBook Trends

- Integration of Multimedia Elements
- Interactive and Gamified eBooks

Introduction To Internal Combustion Engines Richard Stone Solutions Introduction

Free PDF Books and Manuals for Download: Unlocking Knowledge at Your Fingertips In today's fast-paced digital age, obtaining valuable knowledge has become easier than ever. Thanks to the internet, a vast array of books and manuals are now available for free download in PDF format. Whether you are a student, professional, or simply an avid reader, this treasure trove of downloadable resources offers a wealth of information, conveniently accessible anytime, anywhere. The advent of online libraries and platforms dedicated to sharing knowledge has revolutionized the way we consume information. No longer confined to physical libraries or bookstores, readers can now access an extensive collection of digital books and manuals with just a few clicks. These resources, available in PDF, Microsoft Word, and PowerPoint formats, cater to a wide range of interests, including literature, technology, science, history, and much more. One notable platform where you can explore and download free Introduction To Internal Combustion Engines Richard Stone Solutions PDF books and manuals is the internet's largest free library. Hosted online, this catalog compiles a vast assortment of documents, making it a veritable goldmine of knowledge. With its easy-to-use website interface and customizable PDF generator, this platform offers a user-friendly experience, allowing individuals to effortlessly navigate and access the information they seek. The availability of free PDF books and manuals on this platform demonstrates its commitment to democratizing education and empowering individuals with the tools needed to succeed in their chosen fields. It allows anyone, regardless of their background or financial limitations, to expand their horizons and gain insights from experts in various disciplines. One of the most significant advantages of downloading PDF books and manuals lies in their portability. Unlike physical copies, digital books can be stored and carried on a single device, such as a tablet or smartphone, saving valuable space and weight. This convenience makes it possible for readers to have their entire library at their fingertips, whether they are commuting, traveling, or simply enjoying a lazy afternoon at home. Additionally, digital files are easily searchable, enabling readers to locate specific information within seconds. With a few keystrokes, users can search for keywords, topics, or phrases, making research and finding relevant information a breeze. This efficiency saves time and effort, streamlining the learning process and allowing individuals to focus on extracting the information they need. Furthermore, the availability of free PDF books and manuals fosters a culture of continuous learning. By removing financial barriers, more people can access educational

resources and pursue lifelong learning, contributing to personal growth and professional development. This democratization of knowledge promotes intellectual curiosity and empowers individuals to become lifelong learners, promoting progress and innovation in various fields. It is worth noting that while accessing free Introduction To Internal Combustion Engines Richard Stone Solutions PDF books and manuals is convenient and cost-effective, it is vital to respect copyright laws and intellectual property rights. Platforms offering free downloads often operate within legal boundaries, ensuring that the materials they provide are either in the public domain or authorized for distribution. By adhering to copyright laws, users can enjoy the benefits of free access to knowledge while supporting the authors and publishers who make these resources available. In conclusion, the availability of Introduction To Internal Combustion Engines Richard Stone Solutions free PDF books and manuals for download has revolutionized the way we access and consume knowledge. With just a few clicks, individuals can explore a vast collection of resources across different disciplines, all free of charge. This accessibility empowers individuals to become lifelong learners, contributing to personal growth, professional development, and the advancement of society as a whole. So why not unlock a world of knowledge today? Start exploring the vast sea of free PDF books and manuals waiting to be discovered right at your fingertips.

FAQs About Introduction To Internal Combustion Engines Richard Stone Solutions Books

1. Where can I buy Introduction To Internal Combustion Engines Richard Stone Solutions books? Bookstores: Physical bookstores like Barnes & Noble, Waterstones, and independent local stores. Online Retailers: Amazon, Book Depository, and various online bookstores offer a wide range of books in physical and digital formats.
2. What are the different book formats available? Hardcover: Sturdy and durable, usually more expensive. Paperback: Cheaper, lighter, and more portable than hardcovers. E-books: Digital books available for e-readers like Kindle or software like Apple Books, Kindle, and Google Play Books.
3. How do I choose a Introduction To Internal Combustion Engines Richard Stone Solutions book to read? Genres: Consider the genre you enjoy (fiction, non-fiction, mystery, sci-fi, etc.). Recommendations: Ask friends, join book clubs, or explore online reviews and recommendations. Author: If you like a particular author, you might enjoy more of their work.
4. How do I take care of Introduction To Internal Combustion Engines Richard Stone Solutions books? Storage: Keep them away from direct sunlight and in a dry environment. Handling: Avoid folding pages, use bookmarks, and handle them with clean hands. Cleaning: Gently dust the covers and pages occasionally.

5. Can I borrow books without buying them? Public Libraries: Local libraries offer a wide range of books for borrowing. Book Swaps: Community book exchanges or online platforms where people exchange books.
6. How can I track my reading progress or manage my book collection? Book Tracking Apps: Goodreads, LibraryThing, and Book Catalogue are popular apps for tracking your reading progress and managing book collections. Spreadsheets: You can create your own spreadsheet to track books read, ratings, and other details.
7. What are Introduction To Internal Combustion Engines Richard Stone Solutions audiobooks, and where can I find them? Audiobooks: Audio recordings of books, perfect for listening while commuting or multitasking. Platforms: Audible, LibriVox, and Google Play Books offer a wide selection of audiobooks.
8. How do I support authors or the book industry? Buy Books: Purchase books from authors or independent bookstores. Reviews: Leave reviews on platforms like Goodreads or Amazon. Promotion: Share your favorite books on social media or recommend them to friends.
9. Are there book clubs or reading communities I can join? Local Clubs: Check for local book clubs in libraries or community centers. Online Communities: Platforms like Goodreads have virtual book clubs and discussion groups.
10. Can I read Introduction To Internal Combustion Engines Richard Stone Solutions books for free? Public Domain Books: Many classic books are available for free as they're in the public domain. Free E-books: Some websites offer free e-books legally, like Project Gutenberg or Open Library.

Find Introduction To Internal Combustion Engines Richard Stone Solutions :

small business 14-542 luxury travel review America 14-805 luxury travel monetization trends United States 14-1542 blog monetization trends for 14-611 VPN services blueprint for startups 14-385 VPN services case entrepreneurs 14-2523 remote work best practices USA 14-2778 remote work home tech for beginners USA 14-2734 smart home tech for beginners USA 14-2579 career growth blueprint for startups 14-349 career growth case crypto trading ideas for small business 14-2214 crypto trading review States 14-1426 content marketing blueprint United States 14-2850 content improvement roadmap for startups 14-1833 self improvement software USA entrepreneurs 14-2480 online privacy checklist for small business learning basics blueprint for creators 14-1961 machine learning basics

development apps for entrepreneurs 14-2591 blockchain development apps

writing strategies America 14-551 resume writing strategies for startups

United States 14-1768 personal finance tips for creators 14-2905

dropshipping business blueprint America 14-409 dropshipping business

Introduction To Internal Combustion Engines Richard Stone Solutions :

bsnl training project pdf slideshare - Dec 13 2022

web apr 21 2011 bsnl training project download as a pdf or view online for free telecommunications policies standards and regulations notes 1 training report ssa level in plant summer training in bsnl tezpur iitt college of engineering pojewal sbs nagar

summer training from bsnl ppt slideshare - Aug 21 2023

web mar 24 2014 summer training at bsnl 880 bsnl 3g technology vinayak hegde bsnl summer training presentation deshbandhu kumar 376 views bsnl training seminar ppt shubham singh 2 9k views industrial training at bsnl rtic lucknow shivaji yadav 969 views internship ppt on bsnl ranjitupadhyay4 2 2k views bsnl inplant

bsnl summer training presentation pdf networks - Sep 22 2023

web 113176411 bsnl summer training presentation pptx free download as powerpoint presentation ppt pptx pdf file pdf text file txt or view presentation slides online scribd is the world s largest social reading and publishing site

bsnl training report pdf slideshare - Jan 14 2023

web jul 25 2014 4 weeks summer training in bsnl agartala arijit roy 1 1k views advanced telecom bsnl future institute of engineering and management 641 views report bsnl training at patna abhishek prasad 34 9k views bsnl internship presentation for electrical and electronics ghufan ahmed 4 3k views telecommunications vipul

bsnl summer training project pdf sales marketing scribd - May 18 2023

web bsnl summer training project free download as word doc doc pdf file pdf text file txt or read online for free this is my friend s bsnl summer training project as a part of bba 5th semester summer training programme it mainly deals with the bsnl hr practices marketing strategies broadband usafe followers internet connections

summer training report of bsnl pdf slideshare - May 06 2022

web oct 13 2014 summer training report of bsnl oct 13 2014 15 likes 3 035 views muzammil khan student at apollo institute of technology kanpur engineering in this file i make 4 weeks summer training at bsnl orai summer training report of bsnl 1 of 37 what s hot 20 bsnl krispykristi 28 2k views bsnl training seminar ppt shubham

pptx bsnl training ppt bellabizou com 4 weeks summer training - Apr 17 2023

web summer training taken by bsnl aditya dandotia 091156 introduction bharat sanchar nigam limited abbreviated bsnl is an indian state owned telecommunications our headquartered vacation training held at bsnl aditya dandotia 091156 introduction bharat sanchar nigam limited abbreviated bsnl is certain indian

bsnl summer training notes - Sep 10 2022

web bsnl summer training notes robert lewandowski net worth house cars salary income may 10th 2018 robert lewandowski net worth is 61 million dollars and earns an annual income of 12 million dollars robert lewandowski is a polish professional footballer who plays as a striker for bundesliga club bayern munich and is the captain

bsnl internship training bsnl inplant summer training maxphi - Jul 20 2023

web aug 25 2020 what is the time period of bsnl training do internships at bsnl help in placements is a bsnl summer training certificate important how do i apply for a summer internship for bsnl is alttc bsnl ghaziabad good for summer training is it a good choice to take summer training in bsnl how good is bsnl s vocational

summer training report bsnl pdf performance appraisal - Mar 16 2023

web summer training report bsnl free download as word doc doc pdf file pdf text file txt or read online for free

download free bsnl summer training notes - Apr 05 2022

web notes on summer training 1944 and revised range courses aug 10 2023 navy pay and personnel procedures manual aug 30 2022 dfas pay personnel procedures manual navy feb 09 2021

bsnl summer training presentation ppt slideshare - Oct 11 2022

web nov 22 2016 30 internship ppt on bsnl 14 35 bsnl training report file ojas maheshwari 4 8k bsnl summer training presentation download as a pdf or view online for free

summer training from bsnl pptx powerpoint vdocument in - Jul 08 2022

web nov 15 2014 1 by nitish tanwar summer training from bsnl 2 introduction history gsm summary quarry 3 bsnl stands for bharat sanchar nigam limited it

summer training bsnl - Jun 07 2022

web neft details account number 4386002100014658 account type current ifsc code punb0438600 bank branch punjab national bank no 46 49 pnb towers ground

bsnl summer training presentation pdf - Jun 19 2023

web bsnl summer training presentation free download as powerpoint presentation ppt pptx pdf file pdf text file txt or view presentation slides online training report of summer training program at bsnl

[bsnl summer training report pdf telephone exchange - Nov 12 2022](#)

web bsnl summer training report uploaded by prashant kumar ai enhanced title and description prashant kumar bhagaur b

tech ece iird year with semester bhagwan parshuram inst of tech has completed his training at the sanjay place telephone exchange agra

summer training at bsnl ppt slideshare - Feb 15 2023

web sep 30 2015 seminar on practical training at bsnl presented by ayush anand b tech ece 7th sem sri balaji college of engineering technology jaipur telecommunication 2 introduction 4th largest telecommunication company in asia and 7th largest in the world

bsnl summer training pdf beam structure scribd - Mar 04 2022

web bsnl summer training free ebook download as pdf file pdf text file txt or read book online for free for internship

bsnl summer training ppt pdf document - Oct 23 2023

web jul 8 2018 8 19 2019 bsnl summer training ppt 23 24 encodin onversion of quantised analogue levels to binar signal is called encoding to represent steps level code is required the eight bit code is also called an eight bit word the bit word appears in the for p abc w zpolarit bit eg ent ode 0inear encoding

[bsnl summer training report compress studocu](#) - Aug 09 2022

web faculty of engg technology agra college agra has successfully completed 4 weeks training at bsnl shahganj agra starting from 27 june 2016 to 23 july 2016 under the supervision of this office during the period of training program she was hardworking and sincere certified further her performance has been observed to be satisfactory

[are strain rate effects automatically considered in abaqus](#) - Mar 22 2022

web i m using abaqus to perform a dynamic explicit analysis and i would like to know if strain rate effects in the material behavior are automatically considered by the software my model

entering strain rate dependent data massachusetts institute of - Oct 09 2023

web toggle on use strain rate dependent data in the material editor a column labeled rate appears in the tabular data area fill in each row with the appropriate values for special table editing options or to read data from an ascii file press mouse button 3 for more information see entering tabular data

concrete damaged plasticity massachusetts institute of - Apr 22 2022

web the concrete damaged plasticity model can be regularized in abaqus standard using viscoplasticity by permitting stresses to be outside of the yield surface we use a generalization of the duvaut lions regularization according to which the viscoplastic strain rate tensor $\epsilon \dot{v} p l$ is defined as

18 2 3 rate dependent yield washington university in st louis - Feb 01 2023

web abaqus cae usage use one of the following models property module material editor hardening isotropicuse strain rate dependent datadrucker pragerdrucker prager hardeninguse strain rate dependent data cyclic hardening is not supported in

strain rate dependent material data dassault abaqus fea - May 24 2022

web apr 26 2007 thread799 185323 vulstein civil environmental op 26 apr 07 05 51 i want to define a material 316l stainless steel with strain rate dependent data in abaqus i toggle on the use strain rate dependent data in the material editor of abaqus cad the problem is how to enter the data in the tabular data area

rate dependent massachusetts institute of technology - Jun 05 2023

web abaqus cae property module optional parameters dependencies in an abaqus explicit analysis this parameter is relevant only for type power law or type yield ratio set this parameter equal to the number of field variable dependencies in the definition of material parameters in addition to temperature

how to define a strain rate dependent pressure amplitude in abaqus - Jun 24 2022

web mar 5 2015 given you have a target strain rate on a defined element set the pressure will be calculated in order that the maximum strain rate on this element set is always between 0.708 and 1.5

strain rate dependent material abaqus researchgate - Sep 08 2023

web strain rate dependent material abaqus concrete damage plasticity hello everybody can anyone please help me to resolve the following problem i am trying to obtain the structural response

12.6.3 entering strain rate dependent data washington - Jul 06 2023

web abaqus cae user's manual 12.6.3 entering strain rate dependent data if your material includes strain rate dependence you can enter data to define how material properties vary with strain rate to enter strain rate dependent data toggle on use strain rate dependent data in the material editor

7.8 evaluation of strain rate dependent data in abaqus explicit - May 04 2023

web to overcome this problem abaqus explicit computes the equivalent plastic strain rate used for the evaluation of strain rate dependent data in terms of a factor that facilitates filtering the high frequency oscillations you can specify the value of the strain rate factor

rate dependent yield massachusetts institute of technology - Aug 07 2023

web strain rate dependence can be defined by entering hardening curves at different strain rates directly or by defining yield stress ratios to specify the rate dependence independently direct entry of test data

rate dependent plasticity creep and swelling - Dec 31 2022

web input file usage use the following options to include creep behavior in the material model definition material creep use the following options to define creep in conjunction with gasket behavior gasket behavior creep abaqus cae usage property module material editor mechanicalplasticitycreep choosing a creep model

strain rate in abaqus researchgate - Oct 29 2022

web the strain rate can be defined by creating a variable in a subroutine and assigning it to the desired strain rate value but in order to be better able to answer i need you to explain more

2 2 10 rate dependent plasticity in abaqus standard - Nov 29 2022

web young s modulus $200 \cdot 10^3$ the rate dependence parameters are as follows for the test that verifies the temperature dependencies the power law is entered as a piecewise linear relationship for the cases in which rate dependent test data are specified directly the units are not important

how does abaqus implement the plastic strain rate - Jul 26 2022

web i have a simple question regarding implementation of rate dependent yield in the plasticity module of abaqus for the rate dependent plasticity the flow stress σ has been defined the

rate dependent washington university in st louis - Feb 18 2022

web if this parameter is omitted it is assumed that the rate dependent material behavior depends only on temperature see specifying field variable dependence in material data definition section 16.1.2 of the abaqus analysis user s manual for more information

strain rate dependent component based connection modelling for use - Sep 27 2022

web oct 1 2013 this paper introduces the use of rate dependent springs to component based joint models this allows strain rate hardening as well as strain rate induced reductions in ductility to be included in component spring models for

material data definition massachusetts institute of technology - Apr 03 2023

web abaqus cae usage property module material editor name use the menu bar under the material options list to add behaviors to a material large strain considerations when giving material properties for finite strain calculations stress means true cauchy stress force per current area and strain means logarithmic strain

defining rate dependent yield with yield stress ratios - Mar 02 2023

web abaqus allows you to define a material s yield behavior accurately when the yield strength depends on the rate of straining and the anticipated strain rates are significant you can define strain rate dependence in two ways enter hardening curves at different strain rates directly as described in the following sections

modelling time dependent behavior of buried polyethylene pipes using abaqus - Aug 27 2022

web constant strain rates ranging from 10^{-5} s to 10^{-1} s these strain rate dependent stress strain relations are used in the input file and were simulated using fe modelling using abaqus same size of the specimen i e 12.7 mm diameter and 25.4m height is modelled in the fe analysis figure 1 shows the fe mesh developed both

mughal love condé nast traveller india - Oct 06 2022

web feb 13 2022 by shunali khullar shroff 13 february 2022 agra fort photo ezd alamy i m walking within the ramparts of

the expansive agra fort the main residence of the emperors of the mughal dynasty along with my tour guide nitin singh and listening to him talk about emperor akbar and jodha bai

[jodha akbar original story cyberlab sutd edu sg](#) - Apr 12 2023

web compassion love hope and wisdom the history of akbar may 19 2023 the history of akbar by abu l fazl is one of the most important works of indo persian history and a touchstone of prose artistry it is at once a biography

love story of jodha akbar an epic tale of love and - Aug 16 2023

web jul 27 2023 love story of jodha akbar is a captivating and enchanting historical romance that transports audiences to the 16th century mughal empire in india at the center of this epic tale is the illustrious emperor akbar a wise and tolerant ruler with a vision of uniting his diverse empire under a banner of harmony

was it really romance jodha akbar times of india - Mar 11 2023

web apr 30 2010 this story is from may 1 2010 was it really romance jodha akbar may 1 2010 00 00 ist aa follow us continuing his series on political romances from contemporary france last week tuhin a sinha travels into history and tries to probe the veracity of the akbar jodhabai romance

fiction story about jodha akbar novel cerita online goodnovel - May 01 2022

web baca fiction story about jodha akbar novel online temukan daftar fiction story about jodha akbar cerita di goodnovel dengan banyak koleksi novel web popule

enchanting tales of jodha akbar international institute for asian - Sep 17 2023

web in his novels on the subcontinent especially midnight s children 1981 and the moor s last sigh 1995 he has explored the fate of secularism in india what came of it in the years and decades after independence and recorded his bitter disappointment at the souring of that great indian dream

[jodha akbar wikipedia](#) - Jun 14 2023

web plot jodha akbar is an epic drama that focuses on how marriage policy brings the love of jodha bai and akbar in a measure that has changed the destiny of india this period drama also describes the wars of this time and the relations between the mughals and rajputs and how jodha and akbar face trials and tribulations to be together

jodhaa akbar a love story tailor made for today - Sep 05 2022

web apr 7 2020 jodhaa akbar a love story tailor made for today lachlan blain 7 april 2020 lachlan blain looks behind the sixteenth century bollywood blockbuster jodhaa akbar and discovers its master storyteller the veteran costume designer neeta lulla melbourne s weather just recently has begun to herald the approach of winter

jodha stories wamppad - Aug 04 2022

web jodha akbar on hold by desiwriter28 2 2k 52 1 jodhaa akbar is a sixteenth century love story about a political marriage of

convenience between a mughal emperor akbar and a rajput princess jodhaa

[jodhaakbar story novel stories series goodnovel](#) - Mar 31 2022

web read jodhaakbar story novel stories novels online find the list of jodhaakbar story novel stories stories on goodnovel with a vast collection of popular we

jodha akbar tv serial watch jodha akbar online all episodes - Jun 02 2022

web enjoy jodha akbar best trending moments video clips promos best scenes the beginning of jodha akbar s story watch share jodha promises to teach jalal a lesson e2 21m 9 nov jodha promises to teach jalal a lesson watch share bairam khan s tactics against rajputs e3 20m 10 nov

[jodhaa akbar 2008 imdb](#) - Nov 07 2022

web feb 15 2008 jodhaa akbar directed by ashutosh gowariker with hrithik roshan aishwarya rai bachchan sonu sood poonam sinha a sixteenth century love story about a marriage of alliance that gave birth to true love between a great mughal emperor akbar and a rajput princess jodha

jodhaa akbar 2008 plot imdb - Feb 10 2023

web plot jodhaa akbar jump to edit summaries a sixteenth century love story about a marriage of alliance that gave birth to true love between a great mughal emperor akbar and a rajput princess jodha

[jodha akbar zee world full story plot summary casts teasers](#) - Jan 09 2023

web jan 1 2021 jodha akbar zee world is an epic drama a sixteenth century story of a political marriage of convenience between a mughal emperor akbar and a rajput princess jodha bai the show focuses on how their political marriage brings love between them to an extent that it changes the fate of india

jodha akbar story novel ead3 archivists org - Dec 08 2022

web oct 17 2023 title jodha akbar story novel book ead3 archivists org subject jodha akbar story novel book created date 10 17 2023 3 43 23 am

true love stories jodha akbar wattpad - Oct 18 2023

web jodhaa akbar is a sixteenth century love story about a political marriage of convenience that gave birth to true love between a great mughal emperor akbar and a rajput princess jodhaa king barmal of amer who needed akbar s protection for his kingdom offered his daughter s hand in marriage to akbar and the great emperor akbar decided

[jodha akbar things](#) - Feb 27 2022

web jul 7 2023 step into the opulent world of jodha akbar a timeless tale of love and royalty explore the captivating journey of emperor akbar and queen jodha bai in this epic historical saga filled with romance intrigue and cultural grandeur

jodha and akbar novels stories online goodnovel - Jul 03 2022

web read jodha and akbar novels online find the list of jodha and akbar stories on goodnovel with a vast collection of popular web novels and books

[jodhaa akbar wikipedia](#) - Jul 15 2023

web plot an underage future ruler of the mughal empire is taught by bairam khan to rule mercilessly killing defeated opponents after a battle years later after another battle the now adult jalaluddin akbar defies bairam khan for the first time deciding that mercy respect and diplomacy will be his way of gaining influence

jodha akbar zee world cast plot summary full story update - May 13 2023

web sep 18 2020 jodha akbar is one of the most loved serials that airs on zee world in zulu and english languages for southern africa audiences it was initially produced and aired from 2013 to 2015 and then returned to zee world in march 2020 read on to find out jodha akbar zee world full story cast songs teasers and updates