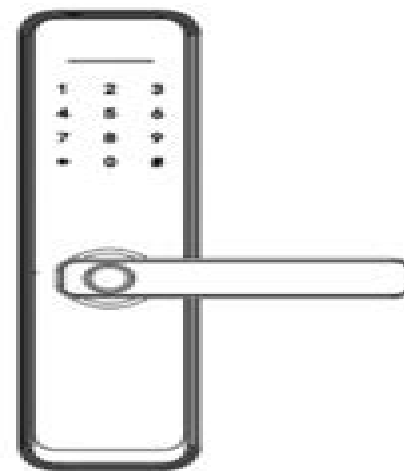


10. Technical Parameters

Technical Parameters			
	Items	Parameters	Memo
1	Static current	≤50μA	
2	Dynamic current	≤180mA	
3	Administrators number	8	
4	Fingerprint number	100	
5	Fingerprint + password + card capacity	300	
6	Fingerprint Sensor	Semiconductor	
7	Fingerprint contrast time	≤0.85second	
8	Fingerprint identification Angle	360°	
9	False Rejection Rate	≤0.1%	
10	False Recognition Rate	≤0.0001%	
11	Reaction time	≤0.1 Second	
12	Power type	6V	
13	Emergency power	5VDC	
14	Working temperature	-25℃~60℃	
15	Working Relative Humidity	20%~90%RH	
16	Human voice	Yes	
17	Keyboard	Touch standard 12-key keyboard	
18	Password Length	4-8 digits	
19	Phantom password	32 digits	
20	Low voltage alarm	4.5±0.2V	
21	Unlock time	≤1 Second	

Instruction of smart lock



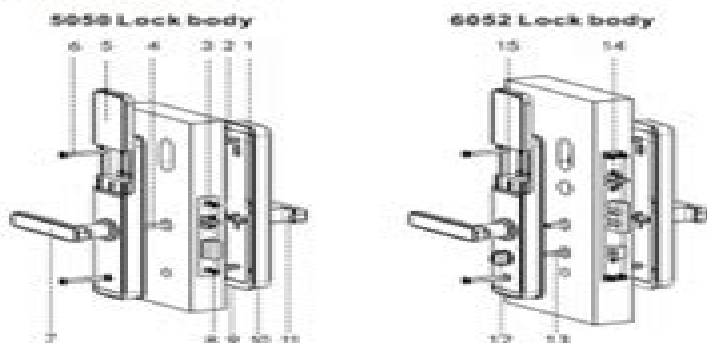
NOTICE:

1. Please read this instruction sheet before used.
2. Please take key with you or put it outside the room.

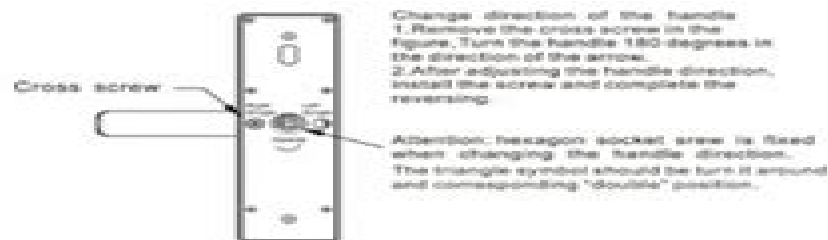
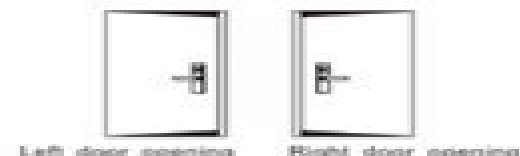
1. Installation

- a. Professional installation recommended.
- b. Pay attention to the connecting cable during installation.
- c. Please adjust the handle direction according to the instructions.
- d. It is necessary to keep the door half open during installation.
- e. After installation, please check whether fingerprint, password, IC card, key, internal and external handle, and anti lock switch can work normally.
- f. If it can't be used normally check for improper installation.

2. Installation diagram



3. Confirm the direction of the handle



4. Cutout

Refer to the hole drawing and the lock body model.

5. Install the lock body:

- 5.1 Support lock body model: 5050,4585,6085,5572,6072, 6052,ball lock, etc.
- 5.2 Adjust the direction of the diagonal tongue according

Manual E Lock

John Duncan Hilarius DALE

Manual E Lock:

Reviewing **Manual E Lock**: Unlocking the Spellbinding Force of Linguistics

In a fast-paced world fueled by information and interconnectivity, the spellbinding force of linguistics has acquired newfound prominence. Its capacity to evoke emotions, stimulate contemplation, and stimulate metamorphosis is actually astonishing. Within the pages of "**Manual E Lock**," an enthralling opus penned by a highly acclaimed wordsmith, readers set about an immersive expedition to unravel the intricate significance of language and its indelible imprint on our lives. Throughout this assessment, we shall delve into the book's central motifs, appraise its distinctive narrative style, and gauge its overarching influence on the minds of its readers.

https://py.bijouxmedusa.com/results/scholarship/HomePages/coaching_the_attacking_4_4_2_football_gold_coast_homepage.pdf

Table of Contents Manual E Lock

1. Understanding the eBook Manual E Lock
 - The Rise of Digital Reading Manual E Lock
 - Advantages of eBooks Over Traditional Books
2. Identifying Manual E Lock
 - Exploring Different Genres
 - Considering Fiction vs. Non-Fiction
 - Determining Your Reading Goals
3. Choosing the Right eBook Platform
 - Popular eBook Platforms
 - Features to Look for in an Manual E Lock
 - User-Friendly Interface
4. Exploring eBook Recommendations from Manual E Lock
 - Personalized Recommendations
 - Manual E Lock User Reviews and Ratings

- Manual E Lock and Bestseller Lists
- 5. Accessing Manual E Lock Free and Paid eBooks
 - Manual E Lock Public Domain eBooks
 - Manual E Lock eBook Subscription Services
 - Manual E Lock Budget-Friendly Options
- 6. Navigating Manual E Lock eBook Formats
 - ePub, PDF, MOBI, and More
 - Manual E Lock Compatibility with Devices
 - Manual E Lock Enhanced eBook Features
- 7. Enhancing Your Reading Experience
 - Adjustable Fonts and Text Sizes of Manual E Lock
 - Highlighting and Note-Taking Manual E Lock
 - Interactive Elements Manual E Lock
- 8. Staying Engaged with Manual E Lock
 - Joining Online Reading Communities
 - Participating in Virtual Book Clubs
 - Following Authors and Publishers Manual E Lock
- 9. Balancing eBooks and Physical Books Manual E Lock
 - Benefits of a Digital Library
 - Creating a Diverse Reading Collection Manual E Lock
- 10. Overcoming Reading Challenges
 - Dealing with Digital Eye Strain
 - Minimizing Distractions
 - Managing Screen Time
- 11. Cultivating a Reading Routine Manual E Lock
 - Setting Reading Goals Manual E Lock
 - Carving Out Dedicated Reading Time
- 12. Sourcing Reliable Information of Manual E Lock
 - Fact-Checking eBook Content of Manual E Lock
 - Distinguishing Credible Sources

13. Promoting Lifelong Learning
 - Utilizing eBooks for Skill Development
 - Exploring Educational eBooks
14. Embracing eBook Trends
 - Integration of Multimedia Elements
 - Interactive and Gamified eBooks

Manual E Lock Introduction

In today's digital age, the availability of Manual E Lock books and manuals for download has revolutionized the way we access information. Gone are the days of physically flipping through pages and carrying heavy textbooks or manuals. With just a few clicks, we can now access a wealth of knowledge from the comfort of our own homes or on the go. This article will explore the advantages of Manual E Lock books and manuals for download, along with some popular platforms that offer these resources. One of the significant advantages of Manual E Lock books and manuals for download is the cost-saving aspect. Traditional books and manuals can be costly, especially if you need to purchase several of them for educational or professional purposes. By accessing Manual E Lock versions, you eliminate the need to spend money on physical copies. This not only saves you money but also reduces the environmental impact associated with book production and transportation. Furthermore, Manual E Lock books and manuals for download are incredibly convenient. With just a computer or smartphone and an internet connection, you can access a vast library of resources on any subject imaginable. Whether you're a student looking for textbooks, a professional seeking industry-specific manuals, or someone interested in self-improvement, these digital resources provide an efficient and accessible means of acquiring knowledge. Moreover, PDF books and manuals offer a range of benefits compared to other digital formats. PDF files are designed to retain their formatting regardless of the device used to open them. This ensures that the content appears exactly as intended by the author, with no loss of formatting or missing graphics. Additionally, PDF files can be easily annotated, bookmarked, and searched for specific terms, making them highly practical for studying or referencing. When it comes to accessing Manual E Lock books and manuals, several platforms offer an extensive collection of resources. One such platform is Project Gutenberg, a nonprofit organization that provides over 60,000 free eBooks. These books are primarily in the public domain, meaning they can be freely distributed and downloaded. Project Gutenberg offers a wide range of classic literature, making it an excellent resource for literature enthusiasts. Another popular platform for Manual E Lock books and manuals is Open Library. Open Library is an initiative of the Internet Archive, a non-profit organization dedicated to digitizing cultural artifacts and making them accessible to the public. Open Library hosts millions of books, including both public domain works and contemporary titles. It also allows users

to borrow digital copies of certain books for a limited period, similar to a library lending system. Additionally, many universities and educational institutions have their own digital libraries that provide free access to PDF books and manuals. These libraries often offer academic texts, research papers, and technical manuals, making them invaluable resources for students and researchers. Some notable examples include MIT OpenCourseWare, which offers free access to course materials from the Massachusetts Institute of Technology, and the Digital Public Library of America, which provides a vast collection of digitized books and historical documents. In conclusion, Manual E Lock books and manuals for download have transformed the way we access information. They provide a cost-effective and convenient means of acquiring knowledge, offering the ability to access a vast library of resources at our fingertips. With platforms like Project Gutenberg, Open Library, and various digital libraries offered by educational institutions, we have access to an ever-expanding collection of books and manuals. Whether for educational, professional, or personal purposes, these digital resources serve as valuable tools for continuous learning and self-improvement. So why not take advantage of the vast world of Manual E Lock books and manuals for download and embark on your journey of knowledge?

FAQs About Manual E Lock Books

1. Where can I buy Manual E Lock books? Bookstores: Physical bookstores like Barnes & Noble, Waterstones, and independent local stores. Online Retailers: Amazon, Book Depository, and various online bookstores offer a wide range of books in physical and digital formats.
2. What are the different book formats available? Hardcover: Sturdy and durable, usually more expensive. Paperback: Cheaper, lighter, and more portable than hardcovers. E-books: Digital books available for e-readers like Kindle or software like Apple Books, Kindle, and Google Play Books.
3. How do I choose a Manual E Lock book to read? Genres: Consider the genre you enjoy (fiction, non-fiction, mystery, sci-fi, etc.). Recommendations: Ask friends, join book clubs, or explore online reviews and recommendations. Author: If you like a particular author, you might enjoy more of their work.
4. How do I take care of Manual E Lock books? Storage: Keep them away from direct sunlight and in a dry environment. Handling: Avoid folding pages, use bookmarks, and handle them with clean hands. Cleaning: Gently dust the covers and pages occasionally.
5. Can I borrow books without buying them? Public Libraries: Local libraries offer a wide range of books for borrowing. Book Swaps: Community book exchanges or online platforms where people exchange books.

6. How can I track my reading progress or manage my book collection? Book Tracking Apps: Goodreads, LibraryThing, and Book Catalogue are popular apps for tracking your reading progress and managing book collections. Spreadsheets: You can create your own spreadsheet to track books read, ratings, and other details.
7. What are Manual E Lock audiobooks, and where can I find them? Audiobooks: Audio recordings of books, perfect for listening while commuting or multitasking. Platforms: Audible, LibriVox, and Google Play Books offer a wide selection of audiobooks.
8. How do I support authors or the book industry? Buy Books: Purchase books from authors or independent bookstores. Reviews: Leave reviews on platforms like Goodreads or Amazon. Promotion: Share your favorite books on social media or recommend them to friends.
9. Are there book clubs or reading communities I can join? Local Clubs: Check for local book clubs in libraries or community centers. Online Communities: Platforms like Goodreads have virtual book clubs and discussion groups.
10. Can I read Manual E Lock books for free? Public Domain Books: Many classic books are available for free as they're in the public domain. Free E-books: Some websites offer free e-books legally, like Project Gutenberg or Open Library.

Find Manual E Lock :

coaching the attacking 4 4 2 football gold coast homepage

[cisco ccna questions and answers](#)

citroen saxo

clinical cases pearls in medicine pdf

cisco ip phone 7911 quick start guide

[clinical hematology theory and procedures test bank](#)

[collins gcse revision and practice new 2015 curriculum edition aeur aqa gcse maths foundation tier all in one revision and practice](#)

clinical laboratory hematology mckenzie pdf

[clinical review of vascular trauma](#)

[class 7th syllabus english](#)

classical mechanics david morin solutions manual

[civil engineering hydraulics nalluri featherstone](#)

[classical and statistical thermodynamics solution](#)

college accounting mini practice set 1 answers

chronicles of carlingford the rector and the doctor apos s family

Manual E Lock :

disney songs classical guitar standard notation t pdf 2023 - Dec 28 2021

web this disney songs classical guitar standard notation t pdf but end up in malicious downloads rather than enjoying a good book with a cup of coffee in the afternoon instead they cope with some malicious bugs inside their desktop computer disney songs classical guitar standard notation t pdf is available in our book collection an online

disney songs for classical guitar standard notation tab - Jul 03 2022

web guitar solo 20 songs carefully arranged for solo guitar in standard notation and tablature including baby mine beauty and the beast can you feel the love tonight chim chim cher ee colors of the wind a dream is a wish your heart makes god help the outcasts i m wishing it s a small world little april shower mickey mouse

disney songs for classical guitar standard notation tab guitar - May 13 2023

web view the product disney songs for classical guitar standard notation tab series guitar solo medium format softcover contributors various

disney songs for classical guitar sheet music plus - Apr 12 2023

web standard notation tab composed by various guitar solo children disney movies softcover with guitar tablature 56 pages published by hal leonard hl 701753 item number hl 701753 isbn 9781423497929 9 0x12 0x0 195 inches

amazon com disney songs for fingerstyle guitar 15 classic songs - May 01 2022

web jul 1 2018 disney songs for fingerstyle guitar 15 classic songs arranged by solo guitar in standard notation and tablature paperback jul 1 2018 by bill piburn arranger 4 0 4 0 out of 5 stars 20 ratings

disney songs classical guitar standard notation t pdf - Jan 29 2022

web classical guitar music for the solo performer 20 popular songs superbly arranged in standard notation and tab by david jaggs disney goes classical disney songs for easy classical piano

colors of the wind disney songs for classical guitar standard - Oct 06 2022

web jul 1 2011 guitar solo 20 songs carefully arranged for solo guitar in standard notation and tablature including beauty and the beast can you feel the love tonight colors of the wind it s a small world so this is love the cinderella waltz some day my prince will come when you wish upon a star a whole new world you ll be in my

disney songs for classical guitar standard notation tab - Jul 15 2023

web jul 1 2011 guitar solo 20 songs carefully arranged for solo guitar in standard notation and tablature including beauty

and the beast can you feel the love tonight colors of the wind it s a small world so this is love the cinderella waltz some day my prince will come when you wish upon a star a whole new world you ll be in my

disney songs for classical guitar standard notation tab pdf - Aug 16 2023

web jul 1 2011 summary guitar solo 20 songs carefully arranged for solo guitar in standard notation and tablature including beauty and the beast can you feel the love tonight colors of the wind it s a small world so this is love the cinderella waltz some day my prince will come when you wish upon a star a whole new world

disney songs for classical guitar songbook google books - Feb 10 2023

web guitar solo 20 songs carefully arranged for solo guitar in standard notation and tablature including beauty and the beast can you feel the love tonight colors of the wind it s a small world so this is love the cinderella waltz some day my prince will come when you wish upon a star a whole new world you ll be in my heart

disney songs for classical guitar standard notation tab - Dec 08 2022

web jul 1 2011 disney songs for classical guitar standard notation tab guitare kindle edition by hal leonard corporation download it once and read it on your kindle device pc phones or tablets use features like bookmarks note taking and highlighting while reading disney songs for classical guitar standard notation tab guitare

disney songs disney songs for classical guitar guitar solo - Jun 02 2022

web 20 songs carefully arranged for solo guitar in standard notation and tablature for full functionality of this site it is necessary to enable javascript here are the

disney songs for classical guitar songbook standard notation - Mar 11 2023

web disney songs for classical guitar songbook standard notation tab ebook written by hal leonard corp read this book using google play books app on your pc android ios devices download for offline reading highlight bookmark or take notes while you read disney songs for classical guitar songbook standard notation tab

disney songs for classical guitar songbook apple books - Sep 05 2022

web 20 songs carefully arranged for solo guitar in standard notation and tablature including beauty and the beast can you feel the love tonight colors of the wind it s a small world so this is love the cinderella waltz some day my prince will come when you wish upon a star a whole new

disney songs for classical guitar standard notation tab - Nov 07 2022

web jul 1 2011 abebooks com disney songs for classical guitar standard notation tab 9781423497929 and a great selection of similar new used and collectible books available now at great prices disney songs for classical guitar standard notation tab 9781423497929 abebooks

disney songs for classical guitar google books - Jan 09 2023

web guitar solo 20 songs carefully arranged for solo guitar in standard notation and tablature including beauty and the beast can you feel the love tonight colors of the wind it s a small world so this is love the cinderella waltz some day my prince will come when you wish upon a star a whole new world you ll be in my heart

disneysongsclassicalguitarstandardnotationt download only - Mar 31 2022

web classic rock for classical guitar first 50 disney songs you should play on the piano the illustrated treasury of disney songs classical guitar music for the solo performer 20 popular songs superbly arranged in standard notation and tab by david jaggs catalog of copyright entries the disney fake book classical guitar music in print

disneysongsclassicalguitarstandardnotationt 2022 - Feb 27 2022

web standard notation and tablature including beauty and the beast can you feel the love tonight colors of the wind it s a small disneysongsclassicalguitarstandardnotationt 3

disney songs for classical guitar standard notation - Aug 04 2022

web aug 9 2004 guitar solo 20 songs carefully arranged for solo guitar in standard notation and tablature including beauty and the beast can you feel the love tonight colors of the wind it s a small world so this is love the cinderella waltz some day my prince will come when you wish upon a star a whole new world you ll be in

disney songs for classical guitar standard notation tab scribd - Jun 14 2023

web jul 1 2011 guitar solo 20 songs carefully arranged for solo guitar in standard notation and tablature including beauty and the beast can you feel the love tonight colors of the wind it s a small world so this is love the cinderella waltz some day my prince will come when you wish upon a star a whole new world you ll be in my

rhs botany for gardeners the art and science of gardening - Oct 09 2023

web rhs botany for gardeners is more than just a useful reference book on the science of botany and the language of horticulture it is a practical hands on guide that will help gardeners understand how plants grow what affects their

rhs botany for gardeners by royal horticultural society - Nov 29 2022

web oct 7 2013 rhs botany for gardeners is more than just a useful reference book on the science of botany and the language of horticulture it is a practical hands on guide that will help gardeners understand how plants grow what

rhs botany for gardeners the art and science of gardening - Jun 05 2023

web oct 7 2013 rhs botany for gardeners the art and science of gardening explained and explored royal horticultural society geoff hodge octopus publishing group oct 7 2013 gardening 224

rhs botany for gardeners geoff hodge 9781845338336 - Feb 01 2023

web rhs botany for gardeners hardcover geoff hodge 4 4 avg rating 201 ratings by goodreads hardcover isbn 10 1845338332 isbn 13 9781845338336 publisher mitchell beazley 2013 this specific isbn edition is currently not available view all copies of

this isbn edition synopsis about this title about this edition

rhs botany for gardeners the art and science of gardening - Apr 22 2022

web geoff hodge rhs botany for gardeners the art and science of gardening explained explored unknown binding 4 8 839 ratings part of rhs 18 books see all formats and editions kindle edition 4 99 read with our free app hardcover 13 74 5 used from 11 13 20 new from 12 99 3 collectible from 18 90 part of series rhs see all details

[rhs botany for gardeners the art and science of gardening](#) - Sep 27 2022

web in the same series as the bestselling rhs latin for gardeners rhs botany for gardeners is more than just a useful reference book on the science of botany and the language of horticulture it is a practical hands on guide that will help gardeners understand how plants grow how this affects how they perform in the garden and so

[rhs botany for gardeners the art and science of gardening explained](#) - May 04 2023

web gardeners illustrated rhs botany for gardeners is more than just a useful reference book on the science of botany and the language of horticulture it is a practical hands on guide that will help gardeners understand how plants grow what affects their performance and how to get better results

rhs botany for gardeners the art and science of gardening - Aug 27 2022

web rhs botany for gardeners is more than just a useful reference book on the science of botany and the language of horticulture it is a practical hands on guide that will help gardeners understand how plants grow what affects their

[rhs botany for gardeners the art and science of gardening explained](#) - Mar 22 2022

web in the same series as the bestselling rhs latin for gardeners rhs botany for gardeners is more than just a useful reference book on the science of botany and the language of horticulture it is a practical hands on guide that will help gardeners understand how plants grow how this affects how they perform in the garden and so

[rhs botany for gardeners the art and science of gardening](#) - Oct 29 2022

web rhs botany for gardeners the art and science of gardening explained explored royal horticultural society published by mitchell beazley 2013 isbn 10 1845338332 isbn 13 9781845338336 seller worldofbooks goring by sea ws united kingdom seller rating contact seller book used softcover condition fair us 9 92

rhs botany for gardeners the art and science of gardening explained - Jul 26 2022

web oct 7 2013 from the publisher of the bestselling rhs latin for gardeners rhs botany for gardeners is an accessible informative and beautifully illustrated guide to the mysteries of botanical terms and the science of plants part of series rhs print length 224 pages language english publisher mitchell beazley publication date 7 october 2013

rhs botany for gardeners the art and science of gardening - Jun 24 2022

web rhs botany for gardeners is more than just a useful reference book on the science of botany and the language of

horticulture it is a practical hands on guide that will help gardeners understand how plants grow how this affects how they perform in the garden and so help them get better results illustrated throughout with beautiful botanical prints

rhs botany for gardeners the art and science of gardening explained - Mar 02 2023

web rhs botany for gardeners the art and science of gardening explained explored by royal horticultural society at abebooks co uk isbn 10 1845338332 isbn 13 9781845338336 mitchell beazley 2013 hardcover

rhs botany for gardeners the art and science of gardening - Aug 07 2023

web gardeners illustrated rhs botany for gardeners is more than just a useful reference book on the science of botany and the language of horticulture it is a practical hands on guide that will help gardeners understand how plants grow what affects their performance and how to get better results

rhs botany for gardeners the art and science of garden - Jul 06 2023

web oct 7 2013 rhs botany for gardeners is more than just a useful reference book on the science of botany and the language of horticulture it is a practical hands on guide that will help gardeners understand how plants grow how this affects how they perform in the garden and so help them get better results

buy rhs botany for gardeners the art and science of gardening - Feb 18 2022

web buy rhs botany for gardeners the art and science of gardening explained explored book online at low prices in india rhs botany for gardeners the art and science of gardening explained explored reviews ratings amazon in books crafts hobbies home gardening landscape design buy new 1 692 50

[rhs botany for gardeners the art and science of gardening](#) - Sep 08 2023

web feb 15 2018 rhs botany for gardeners is more than just a useful reference book on the science of botany and the language of horticulture it is a practical hands on guide that will help gardeners

[rhs botany for gardeners the art and science of gardening](#) - Apr 03 2023

web feb 21 2023 rhs botany for gardeners is more than just a useful reference book on the science of botany and the language of horticulture it is a practical hands on guide that will help gardeners understand how plants grow what

rhs botany for gardeners the art and science of gardening - May 24 2022

web rhs botany for gardeners the art and science of gardening explained explored by royal horticultural society amazon ae books science nature math biological sciences buy new aed 86 93 list price aed 103 00 save aed 16 07 16 free returns free delivery tomorrow 6 november on your first order order within 9 hrs 21

rhs botany for gardeners the art and science of gardening - Dec 31 2022

web feb 15 2018 rhs botany for gardeners is more than just a useful reference book on the science of botany and the language of horticulture it is a practical hands on guide that will help gardeners understand how plants grow what

navigation for masters d j house google books - Aug 14 2023

web navigation for masters in this third edition david j house discusses the latest methods of navigation including the topics of satellite navigation gmdss communications and

[navigation for masters amazon co uk house david j](#) - Apr 10 2023

web oct 1 2006 navigation for masters oct 01 2006 witherbys pub witherby co ltd in undetermined 3rd ed 1856092712 9781856092715 aaaa not in library

[navigation for masters by david j house goodreads](#) - Jan 07 2023

web select the department you want to search in

[navigation for masters 9781856094030 amazon com books](#) - Jun 12 2023

web jun 18 2012 david j house discusses the latest methods of navigation including the topics of satellite navigation gmdss communications and traffic reporting systems

navigation masters by house d j abebooks - Mar 29 2022

web this latest edition of navigation for masters has been issued to ensure that current and future master mariners are kept up to date with the modern concepts and innovations

[navigation for masters fourth edition witherbys](#) - Feb 25 2022

web this latest edition of navigation for masters has been issued to ensure that current and future master mariners are kept upto date with the modern concepts and innovations

master golf master course detailed maps and yardage charts - Dec 26 2021

web david j house discusses the latest methods of navigation including the topics of satellite navigation gmdss communications and traffic reporting systems

[navigation for masters house d j 9781856091473](#) - Sep 22 2021

navigation for masters house david j amazon co uk books - Dec 06 2022

web oct 21 2009 navigation for masters by david j house 426 pages 24 16 cm witherby co ltd london 1995 35 00 volume 48 issue 3

navigation for masters d j house 2006 pdf - Jul 13 2023

web jan 1 2012 this publication enables current and future master mariners to keep up to date with modern concepts and innovations affecting safe passage throughout the maritime

[navigation for masters d j house google books](#) - Nov 24 2021

web buy navigation for masters by d j house online at alibris we have new and used copies available in 1 editions starting at

shop now

navigation for masters house d j amazon in books - Jul 01 2022

web navigation for masters by david j house filter results shipping eligible for free shipping expedited shipping available item condition seller rating all editions of

navigation for masters by david j house alibris - May 31 2022

web media hardcopy sku 9781856094030 publisher witherby seamanship international isbn 9781856094030

navigation for masters 4th ed maryland nautical - Jan 27 2022

web the mobile planner is a gps enabled planner designed for smartphones and tablets the scorecard is based on the tee pin and target positions shown on the map click on 2d

navigation for masters house d j 9781856091473 abebooks - Sep 03 2022

web 4th ed in addition to the basics this edition incorporates chapters devoted to electronic navigation systems including digital plotting systems electronic chart display and

navigation for masters by d j house hardback 1998 ebay - Oct 04 2022

web abebooks com navigation for masters 9781856091473 by house d j and a great selection of similar new used and collectible books available now at great prices

navigation for masters by d j house alibris - Oct 24 2021

web apr 1 1998 buy navigation for masters on amazon com free shipping on qualified orders navigation for masters house d j 9781856091473 amazon com books skip

navigation for masters by d j house waterstones - Feb 08 2023

web 513 pages hardcover published april 1 1998 book details editions

navigation for masters 4th edition dj house morbai - Apr 29 2022

web navigation for masters 4th edition by house d j and a great selection of related books art and collectibles available now at abebooks com

navigation for masters d j house blackwell s - May 11 2023

web buy navigation for masters 3 by house david j isbn 9781856092715 from amazon s book store everyday low prices and free delivery on eligible orders

navigation for masters by d j house open library - Mar 09 2023

web apr 1 1998 buy navigation for masters by d j house from waterstones today click and collect from your local waterstones or get free uk delivery on orders over 25

navigation for masters by house david j the nautical mind - Aug 02 2022

web 978 1856091473 see all details product details publisher witherby co ltd 2nd edition 1 april 1998 language english
hardcover 513 pages isbn 10 1856091473

navigation for masters by david j house 426 pages 24 16 - Nov 05 2022

web find many great new used options and get the best deals for navigation for masters by d j house hardback 1998 at the
best online prices at ebay free delivery for many