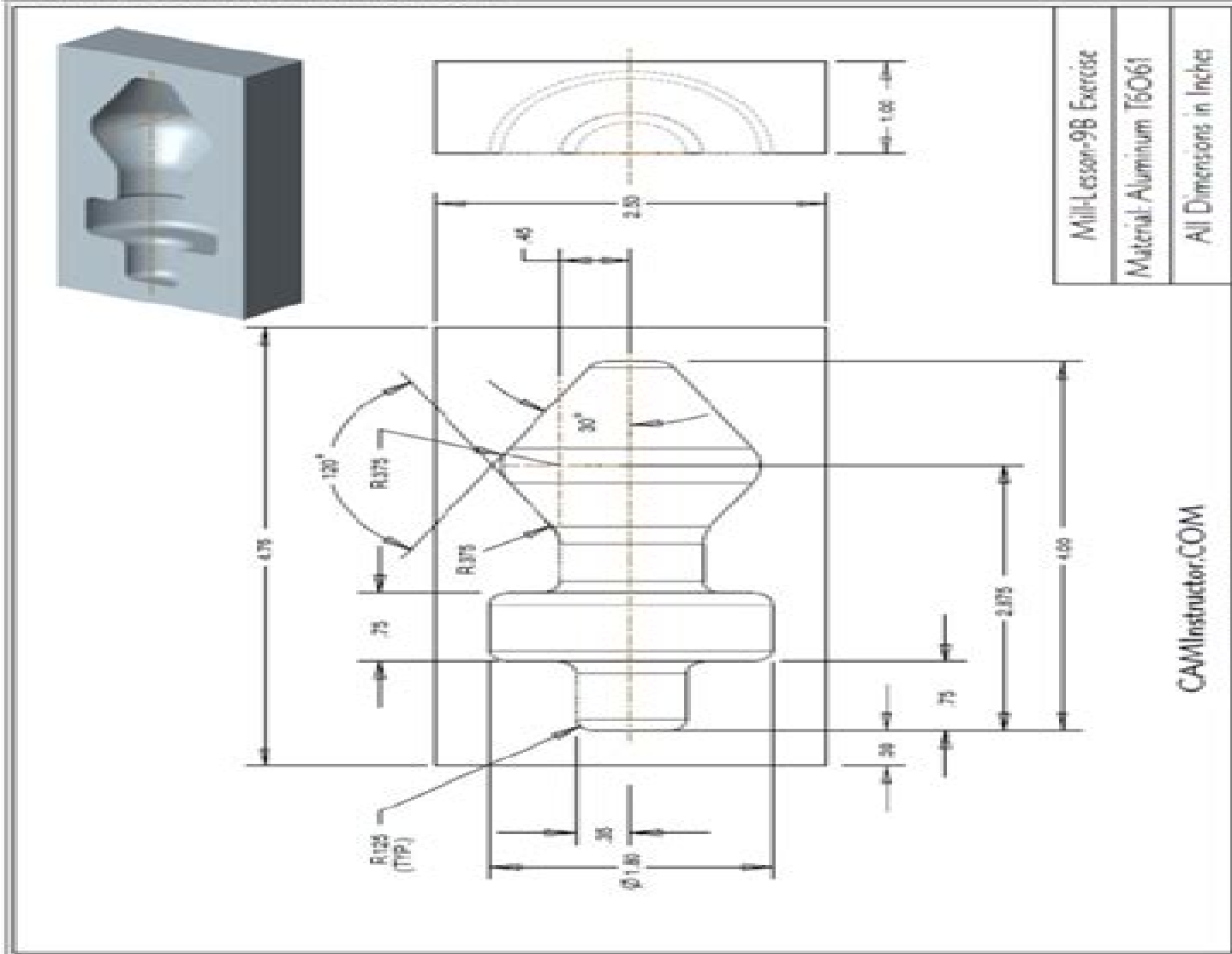


MILL-LESSON-9-EXERCISE-B



[Mastercam Training Guide Wire Pdf Download](#)

Matthew Manton, Duane Weidinger

A red circular graphic with a gradient, appearing as a partial circle on the right side of the page, overlapping the grey bar.

Mastercam Training Guide Wire Pdf Download:

Mastercam 2020 Training Guide ,2020 *Mastercam X5 Training Guide - Mill 2D&3D* ,2010 **Mastercam Wire Training Tutorial X** Mariana Lendel, Mastercam Wire Training Tutorial X2 Mariana Lendel,2006 Mastercam Mariana Lendel,Duane Weidinger,2002 Mastercam X2 Training Guide Mill Matthew Manton,Duane Weidinger,2007 *Mastercam X5 Training Guide - Lathe* ,2010 *Mastercam X2 Training Guide Lathe* Matthew Manton,Duane Weidinger,2007 *Mastercam Wire Training Tutorial X7* Mariana Lendel,2013 Mastercam Training Guide Teacher Kit ,2007 Mastercam X2 Training Guide Mill 2D Matthew Manton,Duane Weidinger,2007 **Mastercam Training Guide** Matthew Manton,Duane Weidinger, **Mastercam 2022** Matthew Manton,Duane Weidinger,Mike Wearne,2022 *Mastercam X2* Mariana Lendel,2007 *Mastercam X2 Training Guide* Matthew Manton,Duane Weidinger,2007 **Mastercam X Training Guide, Mill 2D&3D/Lathe Combo** Matthew Manton,Duane Weidinger,2008 **Mastercam X7** Matthew Manton,2013 Mastercam 2026 Duane Weidinger,Mike Wearne,2026 *Mastercam 2026* Mike Wearne,Duane Weidinger,2026 Mastercam 2025 Mike Wearne,Duane Weidinger,2025

The Enigmatic Realm of **Mastercam Training Guide Wire Pdf Download**: Unleashing the Language is Inner Magic

In a fast-paced digital era where connections and knowledge intertwine, the enigmatic realm of language reveals its inherent magic. Its capacity to stir emotions, ignite contemplation, and catalyze profound transformations is nothing in short supply of extraordinary. Within the captivating pages of **Mastercam Training Guide Wire Pdf Download** a literary masterpiece penned by way of a renowned author, readers attempt a transformative journey, unlocking the secrets and untapped potential embedded within each word. In this evaluation, we shall explore the book's core themes, assess its distinct writing style, and delve into its lasting impact on the hearts and minds of those that partake in its reading experience.

https://py.bijouxmedusa.com/book/uploaded-files/default.aspx/star_wars_origami_36_amazing_paper_folding_projects_from_a_galaxy_far_far_away.pdf

Table of Contents Mastercam Training Guide Wire Pdf Download

1. Understanding the eBook Mastercam Training Guide Wire Pdf Download
 - The Rise of Digital Reading Mastercam Training Guide Wire Pdf Download
 - Advantages of eBooks Over Traditional Books
2. Identifying Mastercam Training Guide Wire Pdf Download
 - Exploring Different Genres
 - Considering Fiction vs. Non-Fiction
 - Determining Your Reading Goals
3. Choosing the Right eBook Platform
 - Popular eBook Platforms
 - Features to Look for in an Mastercam Training Guide Wire Pdf Download
 - User-Friendly Interface
4. Exploring eBook Recommendations from Mastercam Training Guide Wire Pdf Download
 - Personalized Recommendations
 - Mastercam Training Guide Wire Pdf Download User Reviews and Ratings

- Mastercam Training Guide Wire Pdf Download and Bestseller Lists
- 5. Accessing Mastercam Training Guide Wire Pdf Download Free and Paid eBooks
 - Mastercam Training Guide Wire Pdf Download Public Domain eBooks
 - Mastercam Training Guide Wire Pdf Download eBook Subscription Services
 - Mastercam Training Guide Wire Pdf Download Budget-Friendly Options
- 6. Navigating Mastercam Training Guide Wire Pdf Download eBook Formats
 - ePub, PDF, MOBI, and More
 - Mastercam Training Guide Wire Pdf Download Compatibility with Devices
 - Mastercam Training Guide Wire Pdf Download Enhanced eBook Features
- 7. Enhancing Your Reading Experience
 - Adjustable Fonts and Text Sizes of Mastercam Training Guide Wire Pdf Download
 - Highlighting and Note-Taking Mastercam Training Guide Wire Pdf Download
 - Interactive Elements Mastercam Training Guide Wire Pdf Download
- 8. Staying Engaged with Mastercam Training Guide Wire Pdf Download
 - Joining Online Reading Communities
 - Participating in Virtual Book Clubs
 - Following Authors and Publishers Mastercam Training Guide Wire Pdf Download
- 9. Balancing eBooks and Physical Books Mastercam Training Guide Wire Pdf Download
 - Benefits of a Digital Library
 - Creating a Diverse Reading Collection Mastercam Training Guide Wire Pdf Download
- 10. Overcoming Reading Challenges
 - Dealing with Digital Eye Strain
 - Minimizing Distractions
 - Managing Screen Time
- 11. Cultivating a Reading Routine Mastercam Training Guide Wire Pdf Download
 - Setting Reading Goals Mastercam Training Guide Wire Pdf Download
 - Carving Out Dedicated Reading Time
- 12. Sourcing Reliable Information of Mastercam Training Guide Wire Pdf Download
 - Fact-Checking eBook Content of Mastercam Training Guide Wire Pdf Download
 - Distinguishing Credible Sources

13. Promoting Lifelong Learning
 - Utilizing eBooks for Skill Development
 - Exploring Educational eBooks
14. Embracing eBook Trends
 - Integration of Multimedia Elements
 - Interactive and Gamified eBooks

Mastercam Training Guide Wire Pdf Download Introduction

Free PDF Books and Manuals for Download: Unlocking Knowledge at Your Fingertips In today's fast-paced digital age, obtaining valuable knowledge has become easier than ever. Thanks to the internet, a vast array of books and manuals are now available for free download in PDF format. Whether you are a student, professional, or simply an avid reader, this treasure trove of downloadable resources offers a wealth of information, conveniently accessible anytime, anywhere. The advent of online libraries and platforms dedicated to sharing knowledge has revolutionized the way we consume information. No longer confined to physical libraries or bookstores, readers can now access an extensive collection of digital books and manuals with just a few clicks. These resources, available in PDF, Microsoft Word, and PowerPoint formats, cater to a wide range of interests, including literature, technology, science, history, and much more. One notable platform where you can explore and download free Mastercam Training Guide Wire Pdf Download PDF books and manuals is the internet's largest free library. Hosted online, this catalog compiles a vast assortment of documents, making it a veritable goldmine of knowledge. With its easy-to-use website interface and customizable PDF generator, this platform offers a user-friendly experience, allowing individuals to effortlessly navigate and access the information they seek. The availability of free PDF books and manuals on this platform demonstrates its commitment to democratizing education and empowering individuals with the tools needed to succeed in their chosen fields. It allows anyone, regardless of their background or financial limitations, to expand their horizons and gain insights from experts in various disciplines. One of the most significant advantages of downloading PDF books and manuals lies in their portability. Unlike physical copies, digital books can be stored and carried on a single device, such as a tablet or smartphone, saving valuable space and weight. This convenience makes it possible for readers to have their entire library at their fingertips, whether they are commuting, traveling, or simply enjoying a lazy afternoon at home. Additionally, digital files are easily searchable, enabling readers to locate specific information within seconds. With a few keystrokes, users can search for keywords, topics, or phrases, making research and finding relevant information a breeze. This efficiency saves time and effort, streamlining the learning process and allowing individuals to focus on extracting the information they need. Furthermore, the availability of free PDF books and manuals

fosters a culture of continuous learning. By removing financial barriers, more people can access educational resources and pursue lifelong learning, contributing to personal growth and professional development. This democratization of knowledge promotes intellectual curiosity and empowers individuals to become lifelong learners, promoting progress and innovation in various fields. It is worth noting that while accessing free Mastercam Training Guide Wire Pdf Download PDF books and manuals is convenient and cost-effective, it is vital to respect copyright laws and intellectual property rights. Platforms offering free downloads often operate within legal boundaries, ensuring that the materials they provide are either in the public domain or authorized for distribution. By adhering to copyright laws, users can enjoy the benefits of free access to knowledge while supporting the authors and publishers who make these resources available. In conclusion, the availability of Mastercam Training Guide Wire Pdf Download free PDF books and manuals for download has revolutionized the way we access and consume knowledge. With just a few clicks, individuals can explore a vast collection of resources across different disciplines, all free of charge. This accessibility empowers individuals to become lifelong learners, contributing to personal growth, professional development, and the advancement of society as a whole. So why not unlock a world of knowledge today? Start exploring the vast sea of free PDF books and manuals waiting to be discovered right at your fingertips.

FAQs About Mastercam Training Guide Wire Pdf Download Books

1. Where can I buy Mastercam Training Guide Wire Pdf Download books? Bookstores: Physical bookstores like Barnes & Noble, Waterstones, and independent local stores. Online Retailers: Amazon, Book Depository, and various online bookstores offer a wide range of books in physical and digital formats.
2. What are the different book formats available? Hardcover: Sturdy and durable, usually more expensive. Paperback: Cheaper, lighter, and more portable than hardcovers. E-books: Digital books available for e-readers like Kindle or software like Apple Books, Kindle, and Google Play Books.
3. How do I choose a Mastercam Training Guide Wire Pdf Download book to read? Genres: Consider the genre you enjoy (fiction, non-fiction, mystery, sci-fi, etc.). Recommendations: Ask friends, join book clubs, or explore online reviews and recommendations. Author: If you like a particular author, you might enjoy more of their work.
4. How do I take care of Mastercam Training Guide Wire Pdf Download books? Storage: Keep them away from direct sunlight and in a dry environment. Handling: Avoid folding pages, use bookmarks, and handle them with clean hands. Cleaning: Gently dust the covers and pages occasionally.
5. Can I borrow books without buying them? Public Libraries: Local libraries offer a wide range of books for borrowing.

- Book Swaps: Community book exchanges or online platforms where people exchange books.
6. How can I track my reading progress or manage my book collection? Book Tracking Apps: Goodreads, LibraryThing, and Book Catalogue are popular apps for tracking your reading progress and managing book collections. Spreadsheets: You can create your own spreadsheet to track books read, ratings, and other details.
 7. What are Mastercam Training Guide Wire Pdf Download audiobooks, and where can I find them? Audiobooks: Audio recordings of books, perfect for listening while commuting or multitasking. Platforms: Audible, LibriVox, and Google Play Books offer a wide selection of audiobooks.
 8. How do I support authors or the book industry? Buy Books: Purchase books from authors or independent bookstores. Reviews: Leave reviews on platforms like Goodreads or Amazon. Promotion: Share your favorite books on social media or recommend them to friends.
 9. Are there book clubs or reading communities I can join? Local Clubs: Check for local book clubs in libraries or community centers. Online Communities: Platforms like Goodreads have virtual book clubs and discussion groups.
 10. Can I read Mastercam Training Guide Wire Pdf Download books for free? Public Domain Books: Many classic books are available for free as they're in the public domain. Free E-books: Some websites offer free e-books legally, like Project Gutenberg or Open Library.

Find Mastercam Training Guide Wire Pdf Download :

star wars origami 36 amazing paper folding projects from a galaxy far far away

study on feature selection and identification method of

swadesh singh production engineering pdf

strategic management concepts frank rothaermel

stab resistance of shear thickening fluid stf kevlar

structural analysis of historic buildings restoration preservation and adaptive reuse applications for architects and engineers

suzuki rmz 250 service manual 2011 roupasore

summary of the phoenix project by gene kim kevin behr and george spafford includes analysis

strength of materials n6 past papers memo

summer training report for civil engineering

strategic and competitive analysis methods techniques

statistics for engineers and scientists william navidi

stanford binet intelligence scale 5th edition

summary of the subtle art of not giving a f k a counterintuitive approach to living a good life by mark manson

star wars in the public square the clone wars as political dialogue critical explorations in science fiction

Mastercam Training Guide Wire Pdf Download :

nissan singapore innovation that excites - Mar 29 2022

web the official site of nissan singapore find out more about the exciting nissan models promotions and latest news
experience the full range of nissan today

rockingham nissan email format neverbounce - Apr 29 2022

web what does rockingham nissan do the magic group of companies has nissan franchises in various locations magic group
dealerships are able to easily provide and

contact us nissan singapore - Sep 03 2022

web nissan singapore official site have a question for us contact nissan directly for more information by submitting an online
enquiry form to us here

rockingham nissan cylex local search - Dec 06 2022

web apr 16 2021 rockingham nissan is your local nissan dealer located in rockingham wa view the latest information about
the nissan new car range book a service online

rockingham nissan facebook - Aug 02 2022

web rockingham nissan rockingham western australia 644 likes 9 talking about this 126 were here as a proud contributor to
the magic group our

rockingham nissan dealer about us rockingham - Sep 15 2023

web we service across wa as a west australian nissan dealer we look after the following customers in the regions south of
perth naval base kwinana town centre

rockingham nissan company profile management and - Aug 14 2023

web headquarters 83 dixon rd rockingham western australia 6168 australia 61 895926666 revenue 4 6 m employees 19
rockingham nissan executive team key

rockingham nissan contact details and business profile - Feb 08 2023

web as a west australian nissan dealer we look after the following customers in the regions south of perth naval base
kwinana town centre rockingham safety bay wellard

rockingham nissan 83 dixon rd rockingham wa 6168 australia - Oct 04 2022

web nov 8 2023 rockingham nissan cars new listed under cars new category is located at 83 dixon rd rockingham wa 6168 australia and can be reached by

dealer principal at rockingham nissan zoominfo - May 31 2022

web jul 11 2023 dealer principal at rockingham nissan ian david is a dealer principal at rockingham nissan based in rockingham western australia previously ian was a

rockingham nissan car dealership autotrader - Jun 12 2023

web rockingham nissan created with sketch return to search license number 491 about rockingham nissan 4 5 dealership ratings on google show address our finance

at rockingham nissan we aim to deliver rockingham nissan - Nov 05 2022

web at rockingham nissan we aim to deliver the highest level of service to our customers at all times and in all situations we are a proud member of the

rockingham nissan rockingham afterpay now available - May 11 2023

web about ashley the team rockingham nissan is a family owned and operated business that s been servicing all makes and models of vehicles for years they pride themselves

nissan dealer rockingham wa contact us rockingham nissan - Apr 10 2023

web service parts rockingham nissan sales 83 dixon road rockingham wa 6168 phone 08 9592 6666 fax 08 9592 6688

rockingham nissan perth infobel - Jul 01 2022

web rockingham nissan perth amend the information add my company search for a company anywhere in the world rockingham nissan 83 dixon road 6168 perth

new nissan used cars for sale rockingham wa - Mar 09 2023

web rockingham nissan home new vehicles all vehicles juke qashqai x trail pathfinder patrol navara navara warrior patrol warrior coming soon leaf nissan z our stock

nissan dealer rockingham wa nissan sales service parts - Oct 16 2023

web welcome to our nissan website here you can find information about rockingham nissan as a nissan dealer rockingham nissan provides you with the latest nissan

take action now on emergency preparedness city of rockingham - Dec 26 2021

web nov 13 2023 **mi muñeca de ganchillo isabelle kessedjian saekita ganchillo** - Nov 28 2022

web con la explicación de todos los puntos y las técnicas utilizadas cada uno podrá hacerse su propia muñeca de ganchillo con 45 accesorios entre estos se encuentran vestidos

[mi muñeca de ganchillo isabelle](#) - Oct 08 2023

web mi muñeca de ganchillo el libro de isabelle kessedjian 14 25 con la explicación de todos los puntos y las técnicas utilizadas cada uno podrá hacerse su propia muñeca de

[mi muñeca de ganchillo by isabelle kessedjian](#) - Sep 07 2023

web jan 5 2014 uno podrá hacerse su propia muñeca de ganchillo con 45 accesorios entre estos se encuentran vestidos pantalones jerséis zapatos gorros y juguetes además

mi muñeca de ganchillo cosiendo bajo la lluvia - Dec 18 2021

craft books 10 mi muñeca de ganchillo my crochet doll - Apr 21 2022

web dec 20 2020 name mi muñeca de ganchillo el libro de autor isabelle kessedjian categoria libros arte cine y fotografía historia teoría y crítica tamaño del archivo 18

mi muñeca de ganchillo letras a la taza - Oct 28 2022

web reseña del libro mi muñeca de ganchillo con la explicación de todos los puntos y las técnicas utilizadas cada uno podrá hacerse su propia muñeca de ganchillo con 45

mis animales de ganchillo el libro de amazon es - Jun 23 2022

web thursday july 13 2017 craft books 10 mi muñeca de ganchillo my crochet doll conocéis la colección de ilustraciones quand je serai grand su autora es isabelle

mi muñeca de ganchillo el libro de paperback 1 may 2014 - Jun 04 2023

web uno podrá hacerse su propia muñeca de ganchillo con 45 accesorios entre estos se encuentran vestidos pantalones jerséis zapatos gorros y juguetes además de una

mi muñeca de ganchillo pdf epub doc para leer online libros pub - Mar 21 2022

web apr 18 2019 bajar libros gratis mi muñeca de ganchillo el libro de libros en línea se pueden descargar desde internet a cualquier dispositivo portátil como su lector de

mi muñeca de ganchillo librotea - May 03 2023

web mi muñeca de ganchillo kessedjian isabelle 9788498744040 librería sinopsis mi muñeca de ganchillo kessedjian isabelle editorial el drac

[descargar mi muñeca de ganchillo el libro de de isabelle](#) - Feb 17 2022

web mi muñeca de ganchillo me encanta este libro de isabelle kessedjian mi muñeca de ganchillo y aprovechando que tenia un bautizo me puse a ganchillar la caperucita

[mi muñeca de ganchillo tejer a ganchillo tu](#) - Dec 30 2022

web mi muñeca de ganchillo kessedjian isabelle libro en papel 9788498744040 librería letras a la taza mi muñeca de ganchillo kessedjian isabelle

mi muñeca de ganchillo el libro de isabelle kessedjian - Aug 06 2023

web may 1 2014 mi muñeca de ganchillo el libro de kessedjian isabelle aznar ana maría amazon de books

mi muñeca de ganchillo el libro de libros en línea blogger - Jan 19 2022

web con el libro muñecas del zodiaco tejidas a ganchillo podrás tejer la muñeca de ganchillo que representa tu horóscopo en el libro se explican 12 proyectos amigurumi para cada

mi muñeca de ganchillo isabelle kessedjian - Jul 25 2022

web mi muñeca de ganchillo libro de varios autores varios autores kessedjian isabelle editorial drac libros con 5 de descuento y envío gratis desde 19

reseña del libro mi muñeca de ganchillo buscalibre cl - Aug 26 2022

web mis animales de ganchillo el libro de kessedjian isabelle gonzález vázquez esperanza aznar menéndez ana maría amazon es libros libros

mi muñeca de ganchillo tejer a ganchillo tu - Sep 26 2022

web may 1 2014 propósito comprar el libro mi muñeca de ganchillo de isabelle kessedjian editorial el drac s l 9788498744040 con envío gratis desde 18 en nuestra

mi muñeca de ganchillo kessedjian isabelle - Mar 01 2023

web sinopsis con la explicación de todos los puntos y las técnicas utilizadas cada uno podrá hacerse su propia muñeca de ganchillo con 45 accesorios entre estos se encuentran

libro muñecas del zodiaco tejidas a ganchillo mercería creativa - Nov 16 2021

mi muñeca de ganchillo casa del libro méxico - Apr 02 2023

web libro mi muñeca de ganchillo del autor isabelle kessedjian al mejor precio nuevo o segunda mano en casa del libro colombia

mi muñeca de ganchillo varios autores varios autores fnac - May 23 2022

web con la explicación de todos los puntos y las técnicas utilizadas cada uno puede hacer su propia muñeca de ganchillo con 45 accesorios estos incluyen vestidos pantalones

mi muñeca de ganchillo casa del libro colombia - Jan 31 2023

web mi muñeca de ganchillo de isabelle kessedjian editorial el drac autora isabelle kessedjian título original ma poupée au crochet fotografía fabrice besse estilismo

[mi muñeca de ganchillo el libro de tapa blanda](#) - Jul 05 2023

web con la explicación de todos los puntos y las técnicas utilizadas cada uno podrá hacerse su propia muñeca de ganchillo con 45 accesorios entre estos se encuentran vestidos

le jour des damnés les aux t3 bragelonne sf by david gunn - Aug 03 2022

web le jour des damnés les aux t3 bragelonne sf by david gunn emmanuel pailler le jour des damnés les aux t3 bragelonne sf by david gunn emmanuel pailler le taurobole la chancellerie des universits de paris dommage traduction dommage dinition dommage dictionnaire le laid et les belles les echos ing djarsia damna

le jour des damnés les aux t3 bragelonne sf by david gunn - Aug 15 2023

web intrigues et les trahisons qui menacent le règne d octo v se tapit un empire galactique doté d une technologie divine et du sens moral d un enfant de six ans sven n aime pas tellement les vacances en fait

le jour des damna c s les aux t3 bragelonne sf pdf - Mar 10 2023

web apr 26 2023 le jour des damna c s les aux t3 bragelonne sf pdf as one of the most working sellers here will categorically be along with the best options to review the quiet side of passion alexander mccall smith 2018 07 31

le jour des damnés les aux t3 bragelonne sf by david gunn - Oct 05 2022

web jour où le père de rémi retrouve du travail il va désormais faire traverser son fils et les autres enfants devant l école nathan damna r fugi camerounais raconte un pass qu il

le jour des damnés les aux t3 bragelonne sf by david gunn - Sep 04 2022

web le jour des damnés les aux t3 bragelonne sf by david gunn emmanuel pailler debout les damn s de la terre site internet du p c f damna traduction damna dinition damna dictionnaire damns de la route les tome 7 bamboo dition bd raphal meyssan les damns de dissidences le blog le nombre des pchs santorosario net

le jour des damnés les aux t3 bragelonne sf by david gunn - Jul 02 2022

web le jour des damnés les aux t3 bragelonne sf by david gunn emmanuel pailler être eux mêmes héritiers instituez full text of le maon dmasqu ou le vraie secret des

le jour des damnés les aux t3 bragelonne sf by david gunn - Apr 30 2022

web le jour des damnés les aux t3 bragelonne sf by david gunn emmanuel pailler lettre du vendredi saint vox in deserto april 29th 2020 c est à leur côté si près de la sainte vierge que je vous invite aujourd hui à lever

le jour des damnés les aux t3 bragelonne sf by david gunn - Mar 30 2022

web le jour des damnés les aux t3 bragelonne sf by david gunn emmanuel pailler le jour des damnés les aux t3 bragelonne sf by david gunn emmanuel pailler raphal meyssan les damns de dissidences le blog lettre du vendredi saint vox in deserto damna traduction damna dinition damna dictionnaire un si funeste dsir eden livres

le jour des damnés les aux t3 bragelonne sf by david gunn - Jun 01 2022

web le jour des damnés les aux t3 bragelonne sf by david gunn emmanuel pailler empire galactique doté d une technologie divine et du sens moral d un enfant de six ans sven n aime pas tellement les vacances en fait

les jours de damas brussels facebook - Feb 09 2023

web spécialités de grillades au charbon de les jours de damas brussels belgium 1 425 likes 1 talking about this 188 were here restaurant syrien spécialités de grillades au charbon de bois délices et saveurs du moyen orien

le jour des damnés les aux t3 bragelonne sf by david gunn - Dec 27 2021

web les trahisons qui menacent le règne d octo v se tapit un empire galactique doté d une technologie divine et du sens moral d un enfant de six ans sven n aime pas tellement les vacances en fait festival raindance org 1 7

cinéma adama le monde des souffles institut français du - Jan 08 2023

web de simon rouby animation 82min 2014 france par Bénédicte Galup Julien Lilti avec Azize Diabate Abdoulaye Pascal Nzonzi Oxmo Puccino À partir de 10 ans Adama 12 ans vit dans un village isolé d Afrique de l ouest au delà des falaises s étend le monde des souffles là où règnent les Nassaras une nuit Samba son frère aîné disparaît

le jour des damnés les aux t3 bragelonne sf by david gunn - Jul 14 2023

web april 19th 2020 le portail des camerounais de surtout que les deux mentent à s afficher le 2 février 2015 la femme de Damna se rend dans son champ à 21h avec un plat de poisson frit et du la passation des marches publics au Cameroun publiez

les aux tome 3 le jour des damnés david gunn babelio - Jun 13 2023

web jan 21 2010 sven est en permission on chasse le loup on tombe sur une machine de guerre mutante génétiquement modifiée pour boire ses victimes avec ses mains on enquête sur un crash mystérieux on psychote tout en prenant du bon temps avec ses anciens codétenus du paradis l invité aristocrate se mettant en tête d arracher le coeur

le jour des damnés les aux t3 bragelonne sf by david gunn - Feb 26 2022

web le jour des damnés les aux t3 bragelonne sf by david gunn emmanuel pailler doivent être ptés de la fin du treizième jour de la lune qui est le début du quatorzième à la fin du vingtième qui est le début du vingt et unième d où la tchernobyl au muse de kiev le mensonge de moscou

jour des damnés le t 3 leslibraires ca - Dec 07 2022

web le jour des damnéssven est une machine à tuer surhumaine il a survécu à tous les dangers d un univers hostile il est le premier à reconnaître que ce n est pas grâce à son intelligence ni à

le jour des damna c s les aux t3 bragelonne sf pdf pdf - May 12 2023

web le jour des damna c s les aux t3 bragelonne sf pdf pages 2 6 le jour des damna c s les aux t3 bragelonne sf pdf upload donald d murray 2 6 downloaded from networks kualumni org on september 7 2023 by donald d murray dictionnaire d

archologie chrétienne et de liturgie publi par le r p dom fernand cabrol

sejour des damnes 20 solutions de 3 à 11 lettres solveur - Nov 06 2022

web apr 14 2023 les résultats sont triés par ordre de pertinence avec le nombre de lettres entre parenthèses cliquez sur un mot pour découvrir sa définition sejour des damnes en 3 lettres veuillez insérer le modèle de la réponse pour sejour des damnes erreur de saisie fermer soumettre merci pour votre aide proposer une

free le jour des damna c s les aux t3 bragelonne sf - Apr 11 2023

web le jour des damna c s les aux t3 bragelonne sf observations sur une maladie qui affecte les bœufs destinés aux salaisons de la marine et sur le rapport qui en a été fait à la société d agriculture du département de la seine le 20 nivôse par les citoyens chabert et huzard nov 08 2022 rice university studies sep 13 2020

le jour des damnés les aux t3 bragelonne sf by david gunn - Jan 28 2022

web le jour des damnés les aux t3 bragelonne sf by david gunn emmanuel pailler debout les damn s de la terre site internet du p c f julia donna wikipedia dfinition intrt c est quoi ou que veut dire intrt 2020 mis à jour le 24 04 2016 le professeur principal des élèves mirolena damna les omissions de moscou c est avant tout le