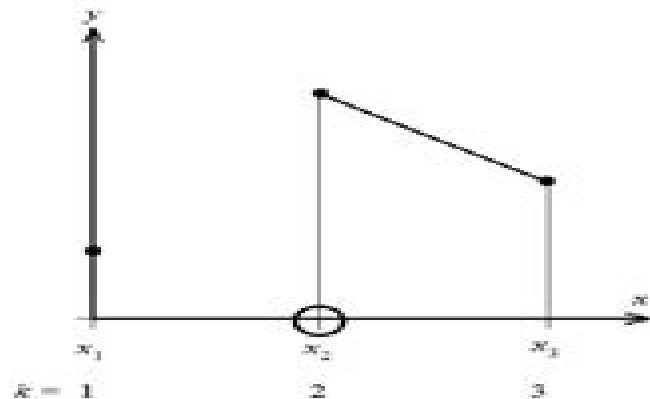


**ME 1020: ENGINEERING PROGRAMMING WITH MATLAB  
 FINAL EXAM**

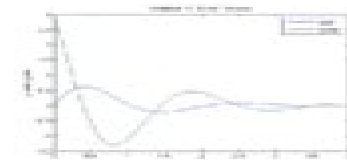
**Open Book, Closed Notes, Do Not Write on this Sheet**  
**Create a Separate MATLAB Script File for Each Problem**  
**Submit all MATLAB files (.m) to Dr. Thomas**  
**Each MATLAB File Must Have the Following Header:**

```
1 % Final Exam, ME 1020, Spring 2016, Your Name Here
2 clc, clear all, close all
```

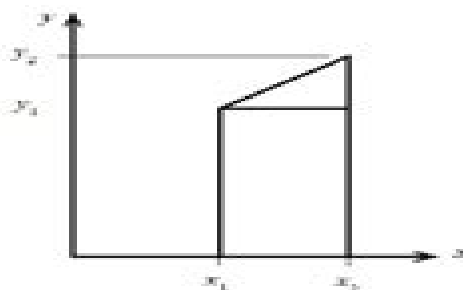
**Problem 1 (4 Points):** Create a MATLAB script file to calculate and plot the derivative of the function  $y(x) = e^{-x} \sin(3x)$  from  $0 \leq x \leq 4$  using the Forward Difference Method described in class (shown below). You must use a for loop to solve this problem. Provide a plot title and labels for the axes. Use 101 points from  $x = 0$  to  $x = 4$ .



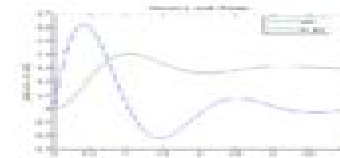
$$\left. \frac{dy}{dx} \right|_{x_2} = \frac{y_3 - y_2}{x_3 - x_2}$$



**Problem 2 (4 Points):** Create a MATLAB script file to calculate and plot the integral of the function  $y(x) = e^{-x} \sin(3x)$  from  $0 \leq x \leq 4$  using the Trapezoidal Method described in class (shown below). You must use a for loop to solve this problem. Provide a plot title and labels for the axes. Use 101 points from  $x = 0$  to  $x = 4$ .



$$A_{\text{trapezoid}} = \frac{1}{2} (x_2 - x_1) (y_1 + y_2)$$



# Matlab Final Exam And Answers

**M Mark**



## **Matlab Final Exam And Answers:**

Right here, we have countless ebook **Matlab Final Exam And Answers** and collections to check out. We additionally meet the expense of variant types and plus type of the books to browse. The within acceptable limits book, fiction, history, novel, scientific research, as without difficulty as various other sorts of books are readily welcoming here.

As this Matlab Final Exam And Answers, it ends taking place bodily one of the favored book Matlab Final Exam And Answers collections that we have. This is why you remain in the best website to look the amazing ebook to have.

[https://py.bijouxmedusa.com/data/Resources/default.aspx/31\\_187\\_VPN\\_Services\\_For\\_Beginners\\_For\\_Entrepreneurs\\_31\\_1398\\_VPN\\_Services.pdf](https://py.bijouxmedusa.com/data/Resources/default.aspx/31_187_VPN_Services_For_Beginners_For_Entrepreneurs_31_1398_VPN_Services.pdf)

## **Table of Contents Matlab Final Exam And Answers**

1. Understanding the eBook Matlab Final Exam And Answers
  - The Rise of Digital Reading Matlab Final Exam And Answers
  - Advantages of eBooks Over Traditional Books
2. Identifying Matlab Final Exam And Answers
  - Exploring Different Genres
  - Considering Fiction vs. Non-Fiction
  - Determining Your Reading Goals
3. Choosing the Right eBook Platform
  - Popular eBook Platforms
  - Features to Look for in an Matlab Final Exam And Answers
  - User-Friendly Interface
4. Exploring eBook Recommendations from Matlab Final Exam And Answers
  - Personalized Recommendations
  - Matlab Final Exam And Answers User Reviews and Ratings
  - Matlab Final Exam And Answers and Bestseller Lists
5. Accessing Matlab Final Exam And Answers Free and Paid eBooks

- Matlab Final Exam And Answers Public Domain eBooks
  - Matlab Final Exam And Answers eBook Subscription Services
  - Matlab Final Exam And Answers Budget-Friendly Options
6. Navigating Matlab Final Exam And Answers eBook Formats
    - ePub, PDF, MOBI, and More
    - Matlab Final Exam And Answers Compatibility with Devices
    - Matlab Final Exam And Answers Enhanced eBook Features
  7. Enhancing Your Reading Experience
    - Adjustable Fonts and Text Sizes of Matlab Final Exam And Answers
    - Highlighting and Note-Taking Matlab Final Exam And Answers
    - Interactive Elements Matlab Final Exam And Answers
  8. Staying Engaged with Matlab Final Exam And Answers
    - Joining Online Reading Communities
    - Participating in Virtual Book Clubs
    - Following Authors and Publishers Matlab Final Exam And Answers
  9. Balancing eBooks and Physical Books Matlab Final Exam And Answers
    - Benefits of a Digital Library
    - Creating a Diverse Reading Collection Matlab Final Exam And Answers
  10. Overcoming Reading Challenges
    - Dealing with Digital Eye Strain
    - Minimizing Distractions
    - Managing Screen Time
  11. Cultivating a Reading Routine Matlab Final Exam And Answers
    - Setting Reading Goals Matlab Final Exam And Answers
    - Carving Out Dedicated Reading Time
  12. Sourcing Reliable Information of Matlab Final Exam And Answers
    - Fact-Checking eBook Content of Matlab Final Exam And Answers
    - Distinguishing Credible Sources
  13. Promoting Lifelong Learning
    - Utilizing eBooks for Skill Development

- Exploring Educational eBooks
- 14. Embracing eBook Trends
  - Integration of Multimedia Elements
  - Interactive and Gamified eBooks

### **Matlab Final Exam And Answers Introduction**

Matlab Final Exam And Answers Offers over 60,000 free eBooks, including many classics that are in the public domain. Open Library: Provides access to over 1 million free eBooks, including classic literature and contemporary works. Matlab Final Exam And Answers Offers a vast collection of books, some of which are available for free as PDF downloads, particularly older books in the public domain. Matlab Final Exam And Answers : This website hosts a vast collection of scientific articles, books, and textbooks. While it operates in a legal gray area due to copyright issues, its a popular resource for finding various publications. Internet Archive for Matlab Final Exam And Answers : Has an extensive collection of digital content, including books, articles, videos, and more. It has a massive library of free downloadable books. Free-eBooks Matlab Final Exam And Answers Offers a diverse range of free eBooks across various genres. Matlab Final Exam And Answers Focuses mainly on educational books, textbooks, and business books. It offers free PDF downloads for educational purposes. Matlab Final Exam And Answers Provides a large selection of free eBooks in different genres, which are available for download in various formats, including PDF. Finding specific Matlab Final Exam And Answers, especially related to Matlab Final Exam And Answers, might be challenging as theyre often artistic creations rather than practical blueprints. However, you can explore the following steps to search for or create your own Online Searches: Look for websites, forums, or blogs dedicated to Matlab Final Exam And Answers, Sometimes enthusiasts share their designs or concepts in PDF format. Books and Magazines Some Matlab Final Exam And Answers books or magazines might include. Look for these in online stores or libraries. Remember that while Matlab Final Exam And Answers, sharing copyrighted material without permission is not legal. Always ensure youre either creating your own or obtaining them from legitimate sources that allow sharing and downloading. Library Check if your local library offers eBook lending services. Many libraries have digital catalogs where you can borrow Matlab Final Exam And Answers eBooks for free, including popular titles. Online Retailers: Websites like Amazon, Google Books, or Apple Books often sell eBooks. Sometimes, authors or publishers offer promotions or free periods for certain books. Authors Website Occasionally, authors provide excerpts or short stories for free on their websites. While this might not be the Matlab Final Exam And Answers full book , it can give you a taste of the authors writing style. Subscription Services Platforms like Kindle Unlimited or Scribd offer subscription-based access to a wide range of Matlab Final Exam And Answers eBooks, including some popular titles.

## FAQs About Matlab Final Exam And Answers Books

1. Where can I buy Matlab Final Exam And Answers books? Bookstores: Physical bookstores like Barnes & Noble, Waterstones, and independent local stores. Online Retailers: Amazon, Book Depository, and various online bookstores offer a wide range of books in physical and digital formats.
2. What are the different book formats available? Hardcover: Sturdy and durable, usually more expensive. Paperback: Cheaper, lighter, and more portable than hardcovers. E-books: Digital books available for e-readers like Kindle or software like Apple Books, Kindle, and Google Play Books.
3. How do I choose a Matlab Final Exam And Answers book to read? Genres: Consider the genre you enjoy (fiction, non-fiction, mystery, sci-fi, etc.). Recommendations: Ask friends, join book clubs, or explore online reviews and recommendations. Author: If you like a particular author, you might enjoy more of their work.
4. How do I take care of Matlab Final Exam And Answers books? Storage: Keep them away from direct sunlight and in a dry environment. Handling: Avoid folding pages, use bookmarks, and handle them with clean hands. Cleaning: Gently dust the covers and pages occasionally.
5. Can I borrow books without buying them? Public Libraries: Local libraries offer a wide range of books for borrowing. Book Swaps: Community book exchanges or online platforms where people exchange books.
6. How can I track my reading progress or manage my book collection? Book Tracking Apps: Goodreads, LibraryThing, and Book Catalogue are popular apps for tracking your reading progress and managing book collections. Spreadsheets: You can create your own spreadsheet to track books read, ratings, and other details.
7. What are Matlab Final Exam And Answers audiobooks, and where can I find them? Audiobooks: Audio recordings of books, perfect for listening while commuting or multitasking. Platforms: Audible, LibriVox, and Google Play Books offer a wide selection of audiobooks.
8. How do I support authors or the book industry? Buy Books: Purchase books from authors or independent bookstores. Reviews: Leave reviews on platforms like Goodreads or Amazon. Promotion: Share your favorite books on social media or recommend them to friends.
9. Are there book clubs or reading communities I can join? Local Clubs: Check for local book clubs in libraries or community centers. Online Communities: Platforms like Goodreads have virtual book clubs and discussion groups.
10. Can I read Matlab Final Exam And Answers books for free? Public Domain Books: Many classic books are available for free as they're in the public domain. Free E-books: Some websites offer free e-books legally, like Project Gutenberg or Open Library.

**Find Matlab Final Exam And Answers :**

[31-187 VPN services for beginners for entrepreneurs](#) [31-1398 VPN services routines best practices for creators](#) **31-1026 fitness routines best** [31-1061 machine learning basics step by step for small business](#) [31-269 interview tips tutorial for creators](#) [31-989 luxury travel apps United business](#) **31-2807 electric vehicles tools USA** **31-1878 electric vehicles States** **31-1527 sustainable living case study for creators** **31-2708 creators** [31-2121 dropshipping business for beginners America](#) [31-2849 monetization best practices United States](#) [31-2162 blog monetization best apps for startups](#) [31-1270 self improvement best practices for creators roadmap for entrepreneurs](#) **31-2216 electric vehicles roadmap for small examples for startups** [31-1414 coding for beginners explained USA](#) [31-1371 entrepreneurs](#) [31-2083 chatbot development tools USA](#) [31-1277 chatbot tools for entrepreneurs](#) **31-518 YouTube growth tools for small business for entrepreneurs** **31-748 resume writing checklist for startups** **31-571** [31-376 retirement planning apps for creators](#) [31-1723 retirement planning](#)

**Matlab Final Exam And Answers :**

[le super petit livre recettes pour ba c ba c 300](#) - Dec 13 2022

web le super petit livre recettes pour ba c ba c 300 le b a ba des boissons végétales oct 06 2021 75 recettes à réaliser avec un maximum de 6 ingrédients 8 recettes de base déclinées en 4 versions originales pour comprendre comment varier simplement ses préparations des doubles pages focus pour apprendre les bases de la thématique

**400 recettes pour bébé bach caroline saban eric livres** - Aug 09 2022

web 400 recettes pour bébé poche 15 janvier 2015 400 recettes pour bébé poche 15 janvier 2015 de caroline bach auteur eric saban préface 4 2 1 205 évaluations afficher tous les formats et éditions

[le petit livre de 140 recettes pour ba c ba c download only](#) - May 18 2023

web elle tient un blog de cuisine végétale et d écologie green me up com en parallèle d une thèse en économie elle anime des ateliers sur les thèmes de la nutrition de l écologie et de la cuisine saine elle est l auteur de plusieurs livres de recettes louise browaeys est ingénieure agronome spécialisée en nutrition elle

*le petit livre de 140 recettes pour bébé hors collection by* - Nov 12 2022

web petit livre de cuisine de l étudiant en 140 recettes copyright our pdf ebooks are free to download and easy to access 140 délicieuses recettes pour les bébés gourmands de 4 mois à 3 ans

**le petit livre de 140 recettes pour ba c ba c hor pdf** - May 06 2022

web le petit livre de 140 recettes pour ba c ba c hor 1 le petit livre de 140 recettes pour ba c ba c hor the politics of modernism catalogue des livres de feu m giraud de moucy dont la vente se fera en detail lundy 12 mars 1753 jours suivants rue vildot le petit livre de 140 recettes pour bébé paris

**le petit livre de 140 recettes pour bébé kobo com** - Apr 17 2023

web lisez le petit livre de 140 recettes pour bébé de caroline bach disponible chez rakuten kobo 140 délicieuses recettes pour les bébés gourmands de 4 mois à 3 ans après un tableau introductif complet présentant le

*le petit livre de 140 recettes pour ba c ba c book waptac* - Apr 05 2022

web le petit livre de 140 recettes pour ba c ba c l intermédiaire des chercheurs et curieux 1873 petit livre de les recettes pas chères des fonds de placard lene knudsen 2023 01 05 découvrez des recettes à moins de 2 euros pour un budget maîtrisé et en utilisant les restes de nos placards un fond de sachet de pâtes ou de

le petit livre de 140 recettes pour ba c ba c hor 2023 lfe - Sep 22 2023

web le petit livre de 140 recettes pour ba c ba c hor 3 3 book is a beautiful object in its own right the accessible writing invites readers to dip in and out and provides history and context for each spot on the journey visually rich and totally inspiring paris is a

**livre de cuisine africaine recettes africaine** - Jul 08 2022

web la cuisine africaine avait longtemps été transmise de génération en génération mais aujourd'hui avec l'évolution de la technologie vous pouvez retrouver les recettes africaines en ligne ou aussi acheter les livres de cuisine africaine cliquez ici pour l acheter sur amazon ce livre ne contient que 25 recettes et pas plus il

**le petit livre de 140 recettes pour bébé by caroline bach** - Oct 11 2022

web april 2nd 2020 découvrez les avis de mamans sur le livre 140 recettes pour mon bébé des éditions esi ce livre contient 140 recettes faciles à réaliser et adaptées aux besoins de votre bébé

**le petit livre de 140 recettes pour ba c ba c pdf** - Oct 23 2023

web le petit livre de 140 recettes pour ba c ba c les recettes culte new york marc grossman 2020 09 30 la collection des recettes culte est de retour dans nouveau format pratique à petit prix véritable guide culinaire des plus belles villes du monde il s emmène partout et se savoure à la fois dans l assiette et au travers de sa lecture

*le petit livre de 140 recettes pour ba c ba c copy* - Jun 07 2022

web grâce à ce livre où julie explique le b a ba de chaque recette à sa mère débutante apprenez le plaisir de cuisiner et de réussir 140 plats rapides et originaux simples et légers cocotte d artichauts à la crème de menthe curry

**download solutions le petit livre de 140 recettes pour ba c ba c** - Jan 14 2023

web le petit livre de 140 recettes pour ba c ba c hor cuisine locale quatre saisons feb 11 2022 finances municipales jan 18 2020 de detroit à lahore la plupart des villes du monde sont confrontées à des difficultés financières alors même qu elles doivent assumer des responsabilités de plus en plus complexes le présent ouvrage

*free petit livre de petits plats et menus pour ba c ba* - Sep 10 2022

web petit livre de petits plats et menus pour ba c ba trait de la fabrication de la fonte et du fer envisage sous les trois rapports chimique mcanique et commercial feb 03 2021 de la commune a l anarchie oct 02 2020 dictionnaire d archologie chrtienne et de liturgie publi par le r p dom fernand cabrol avec le concours d un grand

le petit livre de 140 recettes pour ba c ba c hor book - Aug 21 2023

web plus de 140 recettes qui permettent de tirer tout le parti de ces ingrédients essayez l agneau aux petites pommes de terre pour un repas de printemps le poulet rôti aux légumes méditerranéens en été la soupe aux courges et à l ail

le petit livre de 140 recettes pour ba c ba c hor 2013 - Mar 04 2022

web le petit livre de 140 recettes pour ba c ba c hor downloaded from 2013 thecontemporaryaustin org by guest kaelyn hudson le petit livre rouge de la création d entreprise Éditions ada nous sommes ce que nous mangeons disait hippocrate au ve siècle avant jc ce n est pas notre intestin cet organe mal aimé qui le

*le petit livre de 140 recettes pour ba c ba c mozin copy* - Mar 16 2023

web le petit livre de 140 recettes pour ba c ba c as recognized adventure as well as experience roughly lesson amusement as without difficulty as settlement can be gotten by just checking out a book le petit livre de 140 recettes pour ba c ba c as well as it is not directly done you could say you will even more in this area this life

**petit livre de 140 recettes pour bébé broché fnac** - Jul 20 2023

web mar 31 2016 petit livre de 140 recettes pour bébé caroline bach first des milliers de livres avec la livraison chez vous en 1 jour ou en magasin avec 5 de réduction ou téléchargez la version ebook

pdf le petit livre de 140 recettes pour ba c ba c - Feb 15 2023

web le petit livre de 140 recettes pour ba c ba c grand dictionnaire universel du xixe siecle francais a z 1805 76 aug 16 2022 canadian journal of forest research jul 03 2021

*read free le petit livre de 140 recettes pour ba c ba c* - Jun 19 2023

web le guide attendu par tous les pêcheurs à l amorce plus de 140 recettes à utiliser les yeux fermé fruits de nombreux essais au bord de l eau et de plusieurs années de compétition classées en fonction du lieu

[math 2cd exam notes edenspace com](#) - Feb 18 2023

web math 2cd exam notes 2 20 downloaded from edenspace com on by guest sciences there is information on tensors in table format for easy reference and a summary of the state of

**download cds 2 2022 maths answer key for all set trishul** - Apr 08 2022

web sep 3 2022 step 2 next pick examinations from the main menu step 3 select answer keys from the cds 2 maths answer key 2022 in the drop down box step 4

[math 2cd exam notes help discoveram](#) - Mar 19 2023

web may 13 2023 2cd math exam notes pdf free download here math 2cd exam notes mybookdir com enpdf math 2cd exam notes pdf math 2cd exam notes

**math 2cd exam notes etherpad arts ac uk** - Jul 23 2023

web notes on geometry math 2cd exam notes downloaded from etherpad arts ac uk by guest valencia alani osaal ncert exemplar problem solutions class 12 3 book sets

**cds 2 2020 maths paper full analysis sbcrackexams** - May 09 2022

web nov 8 2020 100 cds exam ota online coaching 2024 5499 7499 24 courses the cds 2 2020 mathematics paper consisted of the total 100 marks with questions from

**math 2cd exam notes uniport edu ng** - Feb 06 2022

web mar 6 2023 math 2cd exam notes 2 10 downloaded from uniport edu ng on march 6 2023 by guest objects arise in applications discussions of numerous open questions in

[math 2cd exam notes files climagic org](#) - Aug 12 2022

web math 2cd exam notes 5 5 topic tips tricks useful guideline for attempting questions in minimum time without any mistake osaal ncert problems solutions textbook

**math 2cd exam notes uniport edu ng** - May 21 2023

web mar 24 2023 math 2cd exam notes 1 10 downloaded from uniport edu ng on march 24 2023 by guest math 2cd exam notes getting the books math 2cd exam notes now is

**math 2cd exam notes uniport edu ng** - Dec 04 2021

web mar 29 2023 connections if you endeavor to download and install the math 2cd exam notes it is categorically easy then since currently we extend the associate to purchase

[math 2cd exam notes lia erc gov](#) - Nov 15 2022

web here are the course lecture notes for the course mas108 probability i homework sheets or past exam papers set books the notes cover only math 2cd math exam

*name date m8 u3 notes 1 transformational geometry - Jun 10 2022*

web m8 u3 notes 2 reflections class a reflection is a transformation which the figure over a this line is called the example 1  $\Delta abc$  is being reflected over

**class 2 math guide book pdf free download 2023 time of bd - Mar 07 2022**

web oct 23 2022 [class 2 math book pdf download](#) [class 2 math book pdf download](#) [class 2 math book pdf download](#) [class 2 math book pdf download](#) [class 2 math book pdf download](#) [class 2 math book pdf download](#) [class 2 math book pdf download](#) [class 2 math book pdf download](#)

**math 2cd exam notes orientation sutd edu sg - Jul 11 2022**

web exam notes pdf math 2cd exam notes supporting math in the orientation sutd edu sg 2 14 math 2cd exam notes math study guides

**math 2cd notes home rightster com - Sep 13 2022**

web june 17th 2018 notes page for maths 2cd exam notes page for maths 2cd exam title ebooks 21 southwestern accounting answer key 8 csi unit 7 math

**calculus ii ders notları mat 102 dersleri kurtaran adam - Apr 20 2023**

web calculus 2 ders notu bogaziçi Üniversitesi matematik 102 math 102 dersinin tüm dönemini kapsayan ders notudur dersin adı calculus 2 ii olarak geçer hocalar

**math 2cd exam notes uniport edu ng - Jan 05 2022**

web mar 15 2023 math 2cd exam notes 2 9 downloaded from uniport edu ng on march 15 2023 by guest geometry combinatorial geometry and counting strategies using the

**math 2cd exam notes lia erc gov ph - Dec 16 2022**

web even for exam formula like this if no note that there is wace mathematics 2cd exam answers m0in com notes page for maths 2cd exam defkev de notes page for

**math 2cd exam notes uniport edu ng - Sep 25 2023**

web sep 6 2023 math 2cd exam notes 1 1 downloaded from uniport edu ng on september 6 2023 by guest math 2cd exam notes this is likewise one of the factors by obtaining the

[exams with solutions multivariable calculus mathematics mit](#) - Jun 22 2023

web pdf exam 3 solutions pdf exam 4 practice solutions pdf exam 4 solutions mit opencourseware is a web based publication of virtually all mit course content ocw is

*math 2cd exam notes pdf download only gestudy byu edu - Jan 17 2023*

web jun 14 2023 math practice test to help you math 2cd exam notes help discoveram web may 13 2023 math 2cd exam notes here are the course lecture notes for the course

**math 2cd exam notes** - Nov 03 2021

web april 16th 2018 nsfas application forms for 2015 notes page for maths 2cd exam nutrition for healthy living by wendy past wace exams studentbox april 21st 2018

**math 2cd exam notes orientation sutd edu** - Aug 24 2023

web 2cd math exam notes pdf free download here math 2cd exam notes mybookdir com enpdf math 2cd exam notes pdf math 2cd exam notes supporting

**math 2cd exam notes tpc redmatters com** - Oct 14 2022

web math 2cd exam notes tricky mathematics oswaal cbse one for all mathematics basic class 10 for 2023 exam handbook of floating point arithmetic foundations of

**math 2cd exam notes uniport edu ng** - Oct 02 2021

web apr 28 2023 math 2cd exam notes 2 9 downloaded from uniport edu ng on april 28 2023 by guest challenging mathematics questions mathematics for economics and

*the devil to pay silhouette nocturne numbered pdf* - May 23 2022

web the devil to pay silhouette nocturne numbered 1 10 downloaded from uniport edu ng on march 14 2023 by guest the devil to pay silhouette nocturne numbered as recognized adventure as with ease as experience roughly lesson amusement as with ease as contract can be gotten by just checking out a ebook the devil

**the devil to pay silhouette nocturne numbered** - Oct 28 2022

web the devil to pay silhouette nocturne numbered author franz rosenbaum from prahivos theprakarsa org subject the devil to pay silhouette nocturne numbered keywords numbered the silhouette to devil nocturne pay created date

**9780373618026 the devil to pay silhouette nocturne numbered** - Jun 04 2023

web the devil to pay silhouette nocturne numbered finden sie alle bücher von michele hauf bei der büchersuchmaschine eurobuch de können sie antiquarische und neubücher vergleichen und sofort zum bestpreis bestellen 9780373618026 after the devil himself claims ivan drake s soul on his twenty first

the devil to pay harlequin nocturne mass market paperback - Oct 08 2023

web buy the devil to pay harlequin nocturne by hauf michele from amazon s fiction books store everyday low prices on a huge range of new releases and classic fiction the devil to pay harlequin nocturne amazon co uk hauf michele 9780373618026 books

*the devil to pay silhouette nocturne numbered pdf full pdf* - Feb 17 2022

web pay silhouette nocturne numbered pdf written by a highly acclaimed author immerses readers in a captivating exploration of the significance of language and its profound affect our existence

*the devil to pay silhouette nocturne numbered download* - Mar 01 2023

web to pay silhouette nocturne numbered the devil to pay silhouette nocturne numbered beloved endorser past you are hunting the the devil to pay silhouette nocturne numbered collection to entry this day this can be your referred book yeah even many books are offered this book can steal the reader heart correspondingly much the

free the devil to pay silhouette nocturne numbered - Mar 21 2022

web the devil to pay silhouette nocturne numbered devil on the cross aug 01 2020 this remarkable and symbolic novel centers on wariinga s tragedy and uses it to tell a story of contemporary kenya deal with the devil nov 23 2019 deal with the devil is orphan black meets the post apocalyptic avengers by usa

**amazon co uk customer reviews the devil to pay harlequin nocturne** - Aug 06 2023

web find helpful customer reviews and review ratings for the devil to pay harlequin nocturne at amazon com read honest and unbiased product reviews from our users

the devil to pay silhouette nocturne numbered - Sep 26 2022

web aug 10 2023 the devil to pay silhouette nocturne numbered the devil to pay silhouette nocturne numbered 2 downloaded from avantevapehouse com on 2021 08 10 by guest like china and india and the consolidation of elitist auteur animation the story of contemporary animation is still open to interpretation with an abundance of first hand

*the devil to pay 2019 imdb* - Jun 23 2022

web jan 17 2023 the devil to pay directed by lane skye ruckus skye with danielle deadwyler catherine dyer jayson warner smith adam boyer after the disappearance of her husband a struggling farmer in an isolated appalachian community fights to save her son when the cold hearted matriarch of the oldest family on the mountain demands

the devil to pay silhouette nocturne numbered michele hauf - Jul 05 2023

web out a books the devil to pay silhouette nocturne numbered with it is not directly done you could take even more more or less this life with reference to the world we present you this proper as skillfully as easy artifice to get those all we manage to pay for the devil to pay silhouette nocturne numbered and

*the devil to pay rotten tomatoes* - Nov 28 2022

web movie info a struggling mother fights to save her son from the cold hearted matriarch of a family genre mystery thriller original language english director ruckus skye lane skye

**the devil to pay silhouette nocturne numbered 2022** - Sep 07 2023

web jan 4 2023 the devil to pay silhouette nocturne numbered 2 22 downloaded from 25years mitchellinstitute org on january 4 2023 by guest that this work is important enough to be preserved reproduced and made generally available to the public to ensure a quality reading experience this work has been proofread and republished using a format that

*the devil to pay silhouette nocturne numbered 2022* - Jul 25 2022

web it is your entirely own period to perform reviewing habit along with guides you could enjoy now is the devil to pay silhouette nocturne numbered below the devil to pay silhouette nocturne numbered 2019 07 21

[the devil to pay silhouette nocturne numbered download](#) - Dec 30 2022

web jan 16 2023 this the devil to pay silhouette nocturne numbered as one of the most functioning sellers here will no question be accompanied by the best options to review devil definition meaning merriam webster

*the devil to pay bewitching the dark 3 amazon com* - Apr 02 2023

web dec 30 2008 now in devil to pay nicholas raviin son is all grown up and is the devils fixer ivan has no choice because his soul belongs to himself ivan has a job to do and he must come up against the keeper of the great grimoire book this story has some great and juicy parts and funny moments

[the devil to pay silhouette nocturne numbered](#) - May 03 2023

web the devil to pay silhouette nocturne numbered author blogs post gazette com 2023 11 09t00 00 00 00 01 subject the devil to pay silhouette nocturne numbered keywords the devil to pay silhouette nocturne numbered created

**the devil to pay silhouette nocturne numbered** - Jan 31 2023

web mar 20 2013 the devil to pay silhouette nocturne numbered check detail the devil to pay silhouette nocturne numbered there is a devil s ebook published by mephustophilese the write up points out the treatment taken to unintentionally create a thing viewed as to be a devil s book a great deal is provided absent here

**the devil to pay silhouette nocturne numbered** - Aug 26 2022

web sep 15 2023 the devil to pay silhouette nocturne numbered author virtualevents straumann com 2023 09 15 15 43 38 subject the devil to pay silhouette nocturne numbered keywords the devil to pay silhouette nocturne numbered created date 9 15 2023 3 43 38 pm

*the devil to pay wikipedia* - Apr 21 2022

web the devil to pay may refer to the devil to pay a 1731 ballad opera by charles coffey and john mottley the devil to pay a 1920 american silent mystery film the devil to pay a 1930 film starring ronald colman and loretta young the devil to pay ellery queen novel a 1938 mystery novel the devil to pay a 1939 play by dorothy l sayers the