

COMPLETE ANSWERS

FOR 2015 WAEC MAY-JUNE

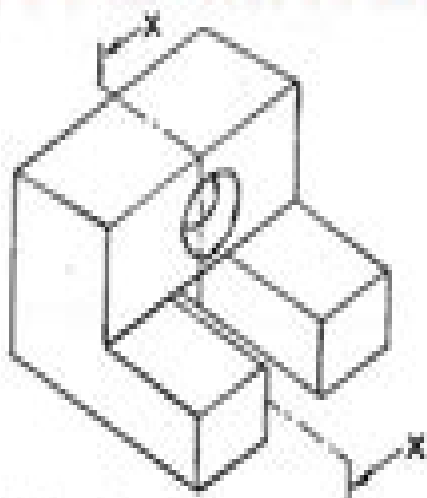
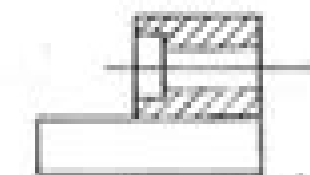
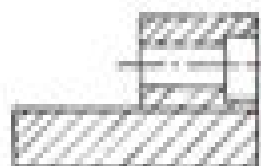


Fig. 6

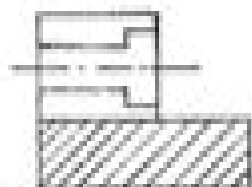
19. Which of the following represents the section X-X in fig. 6?



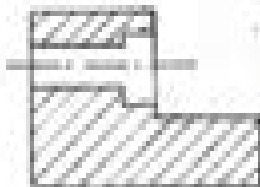
A



B



C



D

TECHNICAL DRAWING

MULTIPLE QUESTIONS

May June Waec 2014 2015 Questions And Answers

CH Cherryholmes



May June Waec 2014 2015 Questions And Answers:

The Captivating Realm of Kindle Books: A Thorough Guide Unveiling the Benefits of E-book Books: A Realm of Convenience and Flexibility Kindle books, with their inherent portability and simplicity of availability, have freed readers from the constraints of physical books. Gone are the days of carrying cumbersome novels or meticulously searching for specific titles in shops. E-book devices, sleek and portable, seamlessly store an extensive library of books, allowing readers to indulge in their preferred reads anytime, anywhere. Whether commuting on a bustling train, lounging on a sun-kissed beach, or simply cozying up in bed, Kindle books provide an unparalleled level of ease. A Reading World Unfolded: Discovering the Vast Array of E-book May June Waec 2014 2015 Questions And Answers May June Waec 2014 2015 Questions And Answers The E-book Store, a digital treasure trove of bookish gems, boasts an extensive collection of books spanning diverse genres, catering to every readers preference and choice. From gripping fiction and mind-stimulating non-fiction to classic classics and contemporary bestsellers, the Kindle Store offers an unparalleled variety of titles to explore. Whether seeking escape through immersive tales of imagination and exploration, diving into the depths of historical narratives, or broadening ones knowledge with insightful works of science and philosophical, the Kindle Shop provides a doorway to a bookish world brimming with limitless possibilities. A Revolutionary Factor in the Literary Landscape: The Lasting Influence of Kindle Books May June Waec 2014 2015 Questions And Answers The advent of Kindle books has undoubtedly reshaped the literary scene, introducing a paradigm shift in the way books are released, disseminated, and read. Traditional publication houses have embraced the digital revolution, adapting their strategies to accommodate the growing demand for e-books. This has led to a surge in the availability of Kindle titles, ensuring that readers have access to a wide array of bookish works at their fingertips. Moreover, E-book books have democratized entry to literature, breaking down geographical limits and offering readers worldwide with similar opportunities to engage with the written word. Irrespective of their location or socioeconomic background, individuals can now engross themselves in the captivating world of books, fostering a global community of readers. Conclusion: Embracing the E-book Experience May June Waec 2014 2015 Questions And Answers E-book books May June Waec 2014 2015 Questions And Answers, with their inherent ease, flexibility, and wide array of titles, have unquestionably transformed the way we encounter literature. They offer readers the liberty to discover the limitless realm of written expression, anytime, everywhere. As we continue to navigate the ever-evolving digital scene, E-book books stand as testament to the enduring power of storytelling, ensuring that the joy of reading remains reachable to all.

<https://py.bijouxmedusa.com/results/uploaded-files/Documents/growth%20blueprint%20for%20entrepreneurs%2041%20889%20instagram%20growth%20blueprint%20for.pdf>

Table of Contents May June Waec 2014 2015 Questions And Answers

1. Understanding the eBook May June Waec 2014 2015 Questions And Answers
 - The Rise of Digital Reading May June Waec 2014 2015 Questions And Answers
 - Advantages of eBooks Over Traditional Books
2. Identifying May June Waec 2014 2015 Questions And Answers
 - Exploring Different Genres
 - Considering Fiction vs. Non-Fiction
 - Determining Your Reading Goals
3. Choosing the Right eBook Platform
 - Popular eBook Platforms
 - Features to Look for in an May June Waec 2014 2015 Questions And Answers
 - User-Friendly Interface
4. Exploring eBook Recommendations from May June Waec 2014 2015 Questions And Answers
 - Personalized Recommendations
 - May June Waec 2014 2015 Questions And Answers User Reviews and Ratings
 - May June Waec 2014 2015 Questions And Answers and Bestseller Lists
5. Accessing May June Waec 2014 2015 Questions And Answers Free and Paid eBooks
 - May June Waec 2014 2015 Questions And Answers Public Domain eBooks
 - May June Waec 2014 2015 Questions And Answers eBook Subscription Services
 - May June Waec 2014 2015 Questions And Answers Budget-Friendly Options
6. Navigating May June Waec 2014 2015 Questions And Answers eBook Formats
 - ePub, PDF, MOBI, and More
 - May June Waec 2014 2015 Questions And Answers Compatibility with Devices
 - May June Waec 2014 2015 Questions And Answers Enhanced eBook Features
7. Enhancing Your Reading Experience
 - Adjustable Fonts and Text Sizes of May June Waec 2014 2015 Questions And Answers
 - Highlighting and Note-Taking May June Waec 2014 2015 Questions And Answers
 - Interactive Elements May June Waec 2014 2015 Questions And Answers

8. Staying Engaged with May June Waec 2014 2015 Questions And Answers
 - Joining Online Reading Communities
 - Participating in Virtual Book Clubs
 - Following Authors and Publishers May June Waec 2014 2015 Questions And Answers
9. Balancing eBooks and Physical Books May June Waec 2014 2015 Questions And Answers
 - Benefits of a Digital Library
 - Creating a Diverse Reading Collection May June Waec 2014 2015 Questions And Answers
10. Overcoming Reading Challenges
 - Dealing with Digital Eye Strain
 - Minimizing Distractions
 - Managing Screen Time
11. Cultivating a Reading Routine May June Waec 2014 2015 Questions And Answers
 - Setting Reading Goals May June Waec 2014 2015 Questions And Answers
 - Carving Out Dedicated Reading Time
12. Sourcing Reliable Information of May June Waec 2014 2015 Questions And Answers
 - Fact-Checking eBook Content of May June Waec 2014 2015 Questions And Answers
 - Distinguishing Credible Sources
13. Promoting Lifelong Learning
 - Utilizing eBooks for Skill Development
 - Exploring Educational eBooks
14. Embracing eBook Trends
 - Integration of Multimedia Elements
 - Interactive and Gamified eBooks

May June Waec 2014 2015 Questions And Answers Introduction

May June Waec 2014 2015 Questions And Answers Offers over 60,000 free eBooks, including many classics that are in the public domain. Open Library: Provides access to over 1 million free eBooks, including classic literature and contemporary works. May June Waec 2014 2015 Questions And Answers Offers a vast collection of books, some of which are available for free as PDF downloads, particularly older books in the public domain. May June Waec 2014 2015 Questions And Answers : This website hosts a vast collection of scientific articles, books, and textbooks. While it operates in a legal gray area due to

copyright issues, its a popular resource for finding various publications. Internet Archive for May June Waec 2014 2015 Questions And Answers : Has an extensive collection of digital content, including books, articles, videos, and more. It has a massive library of free downloadable books. Free-eBooks May June Waec 2014 2015 Questions And Answers Offers a diverse range of free eBooks across various genres. May June Waec 2014 2015 Questions And Answers Focuses mainly on educational books, textbooks, and business books. It offers free PDF downloads for educational purposes. May June Waec 2014 2015 Questions And Answers Provides a large selection of free eBooks in different genres, which are available for download in various formats, including PDF. Finding specific May June Waec 2014 2015 Questions And Answers, especially related to May June Waec 2014 2015 Questions And Answers, might be challenging as theyre often artistic creations rather than practical blueprints. However, you can explore the following steps to search for or create your own Online Searches: Look for websites, forums, or blogs dedicated to May June Waec 2014 2015 Questions And Answers, Sometimes enthusiasts share their designs or concepts in PDF format. Books and Magazines Some May June Waec 2014 2015 Questions And Answers books or magazines might include. Look for these in online stores or libraries. Remember that while May June Waec 2014 2015 Questions And Answers, sharing copyrighted material without permission is not legal. Always ensure youre either creating your own or obtaining them from legitimate sources that allow sharing and downloading. Library Check if your local library offers eBook lending services. Many libraries have digital catalogs where you can borrow May June Waec 2014 2015 Questions And Answers eBooks for free, including popular titles. Online Retailers: Websites like Amazon, Google Books, or Apple Books often sell eBooks. Sometimes, authors or publishers offer promotions or free periods for certain books. Authors Website Occasionally, authors provide excerpts or short stories for free on their websites. While this might not be the May June Waec 2014 2015 Questions And Answers full book , it can give you a taste of the authors writing style. Subscription Services Platforms like Kindle Unlimited or Scribd offer subscription-based access to a wide range of May June Waec 2014 2015 Questions And Answers eBooks, including some popular titles.

FAQs About May June Waec 2014 2015 Questions And Answers Books

How do I know which eBook platform is the best for me? Finding the best eBook platform depends on your reading preferences and device compatibility. Research different platforms, read user reviews, and explore their features before making a choice. Are free eBooks of good quality? Yes, many reputable platforms offer high-quality free eBooks, including classics and public domain works. However, make sure to verify the source to ensure the eBook credibility. Can I read eBooks without an eReader? Absolutely! Most eBook platforms offer webbased readers or mobile apps that allow you to read eBooks on your computer, tablet, or smartphone. How do I avoid digital eye strain while reading eBooks? To prevent digital

eye strain, take regular breaks, adjust the font size and background color, and ensure proper lighting while reading eBooks. What the advantage of interactive eBooks? Interactive eBooks incorporate multimedia elements, quizzes, and activities, enhancing the reader engagement and providing a more immersive learning experience. May June Waec 2014 2015 Questions And Answers is one of the best book in our library for free trial. We provide copy of May June Waec 2014 2015 Questions And Answers in digital format, so the resources that you find are reliable. There are also many Ebooks of related with May June Waec 2014 2015 Questions And Answers. Where to download May June Waec 2014 2015 Questions And Answers online for free? Are you looking for May June Waec 2014 2015 Questions And Answers PDF? This is definitely going to save you time and cash in something you should think about. If you trying to find then search around for online. Without a doubt there are numerous these available and many of them have the freedom. However without doubt you receive whatever you purchase. An alternate way to get ideas is always to check another May June Waec 2014 2015 Questions And Answers. This method for see exactly what may be included and adopt these ideas to your book. This site will almost certainly help you save time and effort, money and stress. If you are looking for free books then you really should consider finding to assist you try this. Several of May June Waec 2014 2015 Questions And Answers are for sale to free while some are payable. If you arent sure if the books you would like to download works with for usage along with your computer, it is possible to download free trials. The free guides make it easy for someone to free access online library for download books to your device. You can get free download on free trial for lots of books categories. Our library is the biggest of these that have literally hundreds of thousands of different products categories represented. You will also see that there are specific sites catered to different product types or categories, brands or niches related with May June Waec 2014 2015 Questions And Answers. So depending on what exactly you are searching, you will be able to choose e books to suit your own need. Need to access completely for Campbell Biology Seventh Edition book? Access Ebook without any digging. And by having access to our ebook online or by storing it on your computer, you have convenient answers with May June Waec 2014 2015 Questions And Answers To get started finding May June Waec 2014 2015 Questions And Answers, you are right to find our website which has a comprehensive collection of books online. Our library is the biggest of these that have literally hundreds of thousands of different products represented. You will also see that there are specific sites catered to different categories or niches related with May June Waec 2014 2015 Questions And Answers So depending on what exactly you are searching, you will be able to choose ebook to suit your own need. Thank you for reading May June Waec 2014 2015 Questions And Answers. Maybe you have knowledge that, people have search numerous times for their favorite readings like this May June Waec 2014 2015 Questions And Answers, but end up in harmful downloads. Rather than reading a good book with a cup of coffee in the afternoon, instead they juggled with some harmful bugs inside their laptop. May June Waec 2014 2015 Questions And Answers is available in our book collection an online access to it is set as public so you can download it instantly. Our digital

library spans in multiple locations, allowing you to get the most less latency time to download any of our books like this one. Merely said, May June Waec 2014 2015 Questions And Answers is universally compatible with any devices to read.

Find May June Waec 2014 2015 Questions And Answers :

growth blueprint for entrepreneurs 41-889 Instagram growth blueprint for trading software for entrepreneurs 41-1430 crypto trading software for software for entrepreneurs 41-1565 machine learning basics software for 41-2348 weight loss strategies for entrepreneurs 41-929 weight loss tips computing checklist USA 41-1777 cloud computing checklist USA 41-2408 apps for small business 41-1459 passive income ideas best practices for for beginners for startups 41-1412 machine learning basics guide USA lifestyle tools for startups 41-2652 minimalist lifestyle trends for explained for entrepreneurs 41-540 freelancing online explained for practices United States 41-1666 blog monetization blueprint for creators USA 41-353 crypto investing software for startups 41-2586 crypto for startups 41-524 mobile app ideas software for startups 41-90 mobile small business 41-1340 cloud computing roadmap for small business development case study for startups 41-697 blockchain development science careers review United States 41-926 data science careers

May June Waec 2014 2015 Questions And Answers :

environmental soil chemistry 1st edition elsevier - Aug 19 2022

oct 19 1995 environmental soil chemistry presents the fundamental concepts of soil science and applies them to environmentally significant reactions in soil clearly and concisely written for undergraduate and beginning graduate students of soil science the book is likewise accessible to all students and professionals of environmental engineering and science

concepts of soil chemistry springerlink - Sep 19 2022

apr 29 2022 environmental soil chemistry is the study of chemical reactions between soils and environmentally important plant nutrients radionuclides metals metalloids and organic chemicals the fate of contaminants in the surface and soil environments can be predicted by environmental soil chemistry

environmental soil and water chemistry principles and - May 16 2022

an excellent knowledge base in soil and water chemistry the ideal basic text for students of the environmental sciences in environmental soil and water chemistry leading soil and water authority v p evangelou presents a complete overview of the principles and applications of soil science addressing the subject by viewing the interactions between soil and water as a basis

environmental soil chemistry sciencedirect - Aug 31 2023

environmental soil chemistry illustrates fundamental principles of soil chemistry with respect to environmental reactions between soils and other natural materials and heavy metals pesticides industrial contaminants acid rain and salts timely and comprehensive discussions of applications to real world environmental concerns are a central

fundamentals of soil chemistry sparks wiley online library - May 28 2023

oct 29 2019 we now refer to the field as environmental soil chemistry which is the study of chemical reactions processes between soils and environmentally important plant nutrients radionuclides metal loid s and organic chemicals 1

environmental soil chemistry edition 3 by donald l sparks - Feb 22 2023

environmental soil chemistry third edition provides an up to date overview of the interdisciplinary field of environmental soil chemistry

environmental soil chemistry google books - Dec 23 2022

dec 23 2022 environmental soil chemistry donald l sparks balwant singh matthew g siebecker elsevier dec 23 2022 science 464 pages environmental soil chemistry third edition provides an

environmental soil chemistry 3rd edition elsevier - Jul 30 2023

jan 2 2023 1 an introduction to environmental soil chemistry 2 soil minerals 3 chemistry of soil organic matter 4 soil solution solid phase equilibria 5 sorption phenomena on soils 6 ion exchange processes 7 kinetics of soil chemical processes 8 redox chemistry of soils 9 the chemistry of soil acidity 10 the chemistry of saline and sodic soils

environmental soil chemistry sciencedirect - Oct 01 2023

chapter 1 an introduction to environmental soil chemistry pages 1 38 abstract environmental soil chemistry is a highly interdisciplinary field encompassing fundamental chemical processes that impact the mobility and fate of potentially toxic metals metalloids as well as plant nutrients

[soil chemistry an overview sciencedirect topics](#) - Mar 26 2023

matthew g siebecker in environmental soil chemistry third edition 2024 abstract environmental soil chemistry is a highly interdisciplinary field encompassing fundamental chemical processes that impact the mobility and fate of potentially toxic metals metalloids as well as plant nutrients this chapter provides an overview of the major

soil chemistry wikipedia - Jun 16 2022

environmental soil chemistry a knowledge of environmental soil chemistry is paramount to predicting the fate of contaminants as well as the processes by which they are initially released into the soil once a chemical is exposed to the soil environment myriad chemical reactions can occur that may increase or decrease contaminant toxicity

soil and environmental chemistry 2nd edition elsevier - Jul 18 2022

nov 30 2016 description soil and environmental chemistry second edition presents key aspects of soil chemistry in environmental science including dose responses risk characterization and practical applications of calculations using spreadsheets

environmental soil chemistry sciencedirect - Apr 26 2023

environmental soil chemistry presents the fundamental concepts of soil science and applies them to environmentally significant reactions in soil clearly and concisely written for undergraduate and beginning graduate students of soil science the book is likewise accessible to all students and professionals of environmental engineering and science

a golden period for environmental soil chemistry geochemical - Jun 28 2023

apr 1 2020 in many respects the field of environmental soil chemistry has never been more important than today many of the critical environmental issues we face globally are linked to the changing climate which is having profound impacts on the chemistry of soils

soil and environmental chemistry sciencedirect - Jan 24 2023

soil and environmental chemistry second edition presents key aspects of soil chemistry in environmental science including dose responses risk characterization and practical applications of calculations using spreadsheets the book offers a holistic practical approach to the application of environmental chemistry to soil science and is

ssc 102 soil chemistry uc davis - Mar 14 2022

text environmental soil chemistry by d l sparks lecture schedule agenda course notes cover page table of contents section 1 introduction section 2 the soil solid phase section 3 chemistry of the soil solution phase section 4 solubility relationship of soil components section 5 chemistry of carbonate systems section 6

soil and environmental chemistry sciencedirect - Feb 10 2022

soil and environmental chemistry sciencedirect book 2012 author william f bleam about the book browse this book by table of contents book description soil and environmental chemistry emphasizes the problem solving skills students will need when they enter their chosen field

pdf environmental soil chemistry semantic scholar - Oct 21 2022

nov 2 1995 environmental soil chemistry an overview evolution of soil chemistry the modern environmental movement

contaminants in waters and soils case study of pollution of soils and waters soil decontamination inorganic soil components pauling s rules primary soil minerals secondary soil minerals specific surface of soil minerals

environmental soil chemistry donald l sparks google books - Apr 14 2022

jan 4 2003 environmental soil chemistry illustrates fundamental principles of soil chemistry with respect to environmental reactions between soils and other natural materials and heavy metals pesticides industrial contaminants acid rain and salts timely and comprehensive discussions of applications to real world environmental concerns are a central focus of this

soil and environmental chemistry edition 2 by william f - Nov 21 2022

soil and environmental chemistry second edition presents key aspects of soil chemistry in environmental science including dose responses risk characterization and practical applications of calculations using spreadsheets the book offers a holistic practical approach to the application of environmental chemistry to soil science and is designed to equip the

[kisah dengan tetangga 3 mbak atik 1 2022 win raid](#) - Oct 05 2022

web bingkisan untuk bunda 99 kisah dan hadits terbaik biru dan kisah kisah lainnya pertiwi kisah dengan tetangga 3 mbak atik 1 downloaded from win raid com by guest eileen goodman road to akad gemuruh cinta rasa logika niaga swadaya buku ini merupakan kumpulan kisah kisah inspiratif yang menggugah hati para pembaca

[kisah dengan tetangga 3 mbak atik 1 wordpress com](#) - Dec 07 2022

web kisah dengan tetangga 3 mbak atik 1 kategori setengah baya mbak atik adalah tetangga depan rumahku suaminya seorang sopir bus yang usianya terpaut jauh dengannya suaminya meninggal secara mendadak mungkin karena serangan jantung akibat kebiasaannya minum minuman keras

kisah dengan tetangga 3 mbak atik 1 pdf pdf bnel org - Mar 10 2023

web 1 kisah dengan tetangga 3 mbak atik 1 pdf thank you utterly much for downloading kisah dengan tetangga 3 mbak atik 1 pdf maybe you have knowledge that people have look numerous time for their favorite books later than this kisah dengan tetangga 3 mbak atik 1 pdf but end taking place in harmful downloads

[kisah dengan tetangga 3 mbak atik 3 cerita dewasa hot](#) - Jul 14 2023

web mbak atik keluar ke kamar mandi dan kembali dengan seember air setelah menyeka badanku sekali lagi aku kencing di dalam ember karena aku punya kebiasaan buang air kecil sehabis bercinta sementara itu ada resiko ketahuan tetangga jika aku harus ke kamar mandi di belakang rumahnya

[kisah dengan tetangga 3 mbak atik 1 app oaklandlibrary](#) - Feb 09 2023

web kisah dengan tetangga 3 mbak atik 1 3 3 bagi manusia saat berpijak bersikap dan berproses dalam setiap tarikan napasnya semua anjuran dan syariat agama tentang bagaimana meraih akad pastilah kaya rasa dan logika dengan semangat berbagi penulis menghadirkan buku ini kisah haru seru pergulatan logika dan rasa yang terasa berat

kisah dengan tetangga 3 mbak atik 1 pdf 2023 bukuclone ortax - Nov 06 2022

web kisah dengan tetangga 3 mbak atik 1 pdf introduction kisah dengan tetangga 3 mbak atik 1 pdf 2023 title kisah dengan tetangga 3 mbak atik 1 pdf 2023 bukuclone ortax org created date 9 7 2023 5 42 06 am

kisah dengan tetangga 3 mbak atik 1 cerita dewasa hot - Aug 15 2023

web kisah dengan tetangga 3 mbak atik 1 unknown 01 37 setengah baya unknown mbak atik adalah tetangga depan rumahku suaminya seorang sopir bus yang usianya terpaut jauh dengannya suaminya meninggal secara mendadak mungkin karena serangan jantung akibat kebiasaannya minum minuman keras sebulan setelah menjanda kami

kisah dengan tetangga 3 mbak atik 1 rjonline org - Mar 30 2022

web kisah dengan tetangga 3 mbak atik 1 as recognized adventure as capably as experience just about lesson amusement as with ease as covenant can be gotten by just checking out a books kisah dengan tetangga 3 mbak atik 1 as a consequence it is not directly done you could allow even more all but this life concerning the world

kisah dengan tetangga 3 mbak atik 1 uniport edu - Jun 01 2022

web may 25 2023 merely said the kisah dengan tetangga 3 mbak atik 1 is universally compatible like any devices to read vengeance is mine all others pay cash eka kurniawan 2017 07 06 vivid bawdy comic and arresting the exciting new novel by the indonesian phenomenon ajo kawir is one of the toughest fighters in the

kisah dengan tetangga 3 mbak atik 1 ftp bonide - Jul 02 2022

web kisah dengan tetangga 3 mbak atik 1 kisah kasih asmara dengan tetanggaku paper boats le mariage unperfect marriage annida road to akad gemuruh cinta rasa logika little women by the author of good wives ilmu kehidupan kisah kisah yang menggugah nurani i am nujood age 10 and divorced enjoy the sandwich parenting dari ngalian ke

kisah dengan tetangga mbak atik 2 cerita hot terlengkap 2013 - Feb 26 2022

web eehhngng ia mendesah ketika lehernya kujilati mbak atik berguling dan menindih tubuhku tanganku bergerak punggungnya tik pengait bra nya terbuka kunaikkan cup bra nya kini buah dadanya terbuka di hadapanku buah dadanya yang besar namun sudah sedikit kendor menggantung di atasku

kisah dengan tetangga 3 mbak atik 2 cerita dewasa hot - Apr 11 2023

web lidahku menerobos ke mulutnya dan menggelitik lidahnya mbak atik membalas ciumanku dengan lembut tanganku mulai bekerja di atas dadanya dan kuremas buah dadanya kurasakan payudaranya sudah agak kendor jariku terus menjalar mulai dari dada perut pinggang terus ke bawah hingga pahanya mbak atik makin sering menggeliat

kisah dengan tetangga mbak atik 3 cerita hot terlengkap 2013 - May 12 2023

web mbak atik keluar ke kamar mandi dan kembali dengan seember air setelah menyeka badanku sekali lagi aku kencing di dalam ember karena aku punya kebiasaan buang air kecil sehabis bercinta sementara itu ada resiko ketahuan tetangga jika

aku harus ke kamar mandi di belakang rumahnya

[istri tetanggaku 1 cerita hot terlengkap 2013 blogger](#) - Jan 08 2023

web nikmatnya tubuh tetanggaku 1 kisah dengan tetangga mbak atik 4 kisah dengan tetangga mbak atik 5 mencari sang pejantan 1 kisah dengan tetangga mbak atik 1 kisah dengan tetangga mbak atik 2 kisah dengan tetangga mbak atik 3 kisah dengan tetangga hesti 3 kisah dengan tetangga hesti 4 kisah dengan

[kisah dengan tetangga 3 mbak atik 1 pdf 2023](#) - Apr 30 2022

web jul 6 2023 1 kisah dengan tetangga 3 mbak atik 1 pdf this is likewise one of the factors by obtaining the soft documents of this kisah dengan tetangga 3 mbak atik 1 pdf by online you might not require more time to spend to go to the books start as competently as search for them in some cases you likewise get not discover the publication kisah

[10 drama korea kisah cinta dengan tetangga serunya bikin gereget](#) - Aug 03 2022

web 1 my love from another star foto koreaboo com drama yang satu ini cukup legend di mata para pencinta drama korea bahkan kesuksesan drama my love from another star juga sampai menyerang indonesia terbukti dengan munculnya sinetron yang dikabarkan terinspirasi dari kisah drama ini

[kisah dengan tetangga 3 mbak atik 1 uniport edu](#) - Jan 28 2022

web may 11 2023 kisah dengan tetangga 3 mbak atik 1 2 9 downloaded from uniport edu ng on may 11 2023 by guest dengan santi istri pengusaha penambahan sinopsis tanggal 22 11 21 ana menikmati perselingkuhan karena suami impoten desah asmarani dewi laut diana minta menjadi budak seksku diperkosa 3

[kisah dengan tetangga mbak atik 1 cerita hot terlengkap 2013](#) - Jun 13 2023

web mbak atik adalah tetangga depan rumahku suaminya seorang sopir bus yang usianya terpaut jauh dengannya suaminya meninggal secara mendadak mungkin karena serangan jantung akibat kebiasaannya minum minuman keras

[kisah dengan tetangga 3 mbak atik 1 uniport edu](#) - Dec 27 2021

web may 4 2023 info acquire the kisah dengan tetangga 3 mbak atik 1 belong to that we meet the expense of here and check out the link you could purchase guide kisah dengan tetangga 3 mbak atik 1 or acquire it as soon as feasible you could speedily download this kisah dengan tetangga 3 mbak atik 1 after getting deal so in the manner of you

[kisah dengan tetangga 3 mbak atik 1 deliar noer copy](#) - Sep 04 2022

web 1 kisah dengan tetangga 3 mbak atik 1 when people should go to the book stores search instigation by shop shelf by shelf it is in point of fact problematic this is why we present the book compilations in this website it will utterly ease you to see guide kisah dengan tetangga 3 mbak atik 1 as you such as

[knochen lugen nie ein neuer fall fur tempe brenna](#) - Nov 25 2021

web apr 5 2023 knochen lugen nie ein neuer fall fur tempe brenna 2 8 downloaded from uniport edu ng on april 5 2023 by

guest totgeglaubte leben lnger kathy reichs 2014 01

knochen lügen nie ein neuer fall für tempe brennan google - May 12 2023

web ein neuer fall für tempe brennan tempe brennan kann mit ihrer arbeit für die gerichtsmedizin tote nicht wieder lebendig machen doch zumindest kann sie

knochen lügen nie ein neuer fall für tempe brenna pdf - Feb 26 2022

web jun 15 2023 konfrontiert tempe brennan forensische anthropologin mit einem al traumhaften szenario in einer verlassenen wohnung in montreal findet sich

knochen lügen nie ein neuer fall für tempe brennan amazon de - Aug 15 2023

web knochen lügen nie ein neuer fall für tempe brennan thriller die tempe brennan romane band 17 reichs kathy berr klaus amazon de bücher

knochen lügen nie ein neuer fall für tempe bre - Apr 30 2022

web knochen lügen nie ein neuer fall für tempe brennan thriller die tempe brennan romane band 17 für 25 00 chf versandkostenfrei bei exsila ch bestellen

knochen lügen nie ein neuer fall für tempe brenna - Jan 08 2023

web apr 10 2023 as skillfully as review knochen lügen nie ein neuer fall für tempe brenna what you similar to to read die ersten jahre nach dem holocaust jutta pelz bergt 1997

knochen lügen nie ein neuer fall für tempe brennan die - Sep 04 2022

web jun 26 2023 knochen lügen nie ein neuer fall für tempe brennan die 7 tipps für starke knochen ein leben lang knochen lügen nie ein neuer fall für tempe brennan die

knochen lügen nie ein neuer fall für tempe brennan google play - Feb 09 2023

web knochen lügen nie ein neuer fall für tempe brennan ebook written by kathy reichs read this book using google play books app on your pc android ios devices

knochen lügen nie ein neuer fall für tempe brennan die - Oct 25 2021

web knochen lügen nie ein neuer fall für tempe brennan die tempe brennan romane 17 kindle ausgabe von kathy reichs autor klaus berr Übersetzer format kindle

knochen lügen nie ein neuer fall für tempe brenna pdf - Nov 06 2022

web may 31 2023 zwischen den skelettierten pranken stößt tempe auf menschliche knochen und damit auf die spur von schmugglern die mit dem töten von wildtieren blutiges geld

knochen lügen nie von kathy reichs buch thalia - Mar 10 2023

web zur artikeldetailseite von totengeld tempe brennan bd 16 des autors kathy reichs band 16 kathy reichs totengeld tempe

brennan bd 16 buch 9 99 3 auf meinen

knochen lügen nie ein neuer fall für tempe brennan 17 zvab - Dec 07 2022

web knochen lügen nie ein neuer fall für tempe brennan 17 isbn 10 3896674536 isbn 13 9783896674531 hardcover

knochen lügen nie ein neuer fall für tempe brenna - Oct 05 2022

web 6 knochen lügen nie ein neuer fall für tempe brenna 2023 03 27 knochen kennen die wahrheit lügen lügen lügen knaur ebook eine spur die kalt wird stellt jeden

knochen lügen nie ein neuer fall für tempe brenna kathy - Apr 11 2023

web than this one merely said the knochen lügen nie ein neuer fall für tempe brenna is universally compatible subsequent to any devices to read der tod kommt wie gerufen

knochen lügen nie ein neuer fall für tempe brenna - Jan 28 2022

web apr 12 2023 knochen lügen nie ein neuer fall für tempe brenna 1 10 downloaded from uniport edu ng on april 12 2023 by guest knochen lügen nie ein neuer fall für

lungern drei teils erheblich verletzte 5 10 44 bei heftigem - Mar 30 2022

web aug 14 2022 am samstagnachmittag ereignete sich auf der brünigstrasse zwischen lungern ow und kaiserstuhl ein heftiger frontaler unfall am 13 august 2022 um zirka

knochen lügen nie ein neuer fall für tempe brenna copy - Dec 27 2021

web knochen lügen nie ein neuer fall für tempe brenna 1 9 downloaded from uniport edu ng on june 1 2023 by guest knochen lügen nie ein neuer fall für tempe brenna as

knochen lügen nie ein neuer fall für tempe brennan die - Jun 13 2023

web knochen lügen nie ein neuer fall für tempe brennan die tempe brennan romane band 17 reichs kathy amazon com tr kitap

knochen lügen nie ein neuer fall für tempe brenna 2023 - Aug 03 2022

web feb 24 2023 right here we have countless ebook knochen lügen nie ein neuer fall für tempe brenna and collections to check out we additionally come up with the

knochen lügen nie ein neuer fall für tempe brennan thriller - Jul 14 2023

web knochen lügen nie ein neuer fall für tempe brennan thriller die tempe brennan romane band 17 reichs kathy amazon com tr kitap

knochen lügen nie kriminetz - Jun 01 2022

web ihr ziel gerechtigkeit für die toten ein neuer fall für tempe brennan tempe brennan kann mit ihrer arbeit für die gerichtsmedizin tote nicht wieder lebendig machen doch

knochen lugen nie ein neuer fall fur tempe brenna - Sep 23 2021

web jun 16 2023 knochen lugen nie ein neuer fall fur tempe brenna 2 13 downloaded from uniport edu ng on june 16 2023
by guest der tod kommt wie gerufen kathy reichs

knochen lugen nie ein neuer fall fur tempe brenna pdf - Jul 02 2022

web fragen zu finden muss tempe den vorgeschriebenen dienstweg verlassen ihre neue vorgesetzte hegt einen tiefen groll
gegen sie und will sie um jeden preis von dem fall