

N.B. (1) Question No.1 is compulsory.

(2) Attempt any four questions out of remaining six questions.

(3) All dimensions in figures are in mm.

(4) Use your own judgment for any unspecified dimensions assuming suitable data if necessary.

(5) Use only first angle method of projection.

(6) Retain all construction lines.

(7) Figures to the right indicate full marks.

(8) Use both the sides of drawing sheets.

(9) Use scale 1:1 only

1. Figure 1 shows a pictorial view of a Block. Draw the following views:-

(a) Sectional F.V. Looking along arrow X (section B-B)

(b) R.H.S.V

(c) Top View

Insert at least 10 major dimensions

4
4
5
2

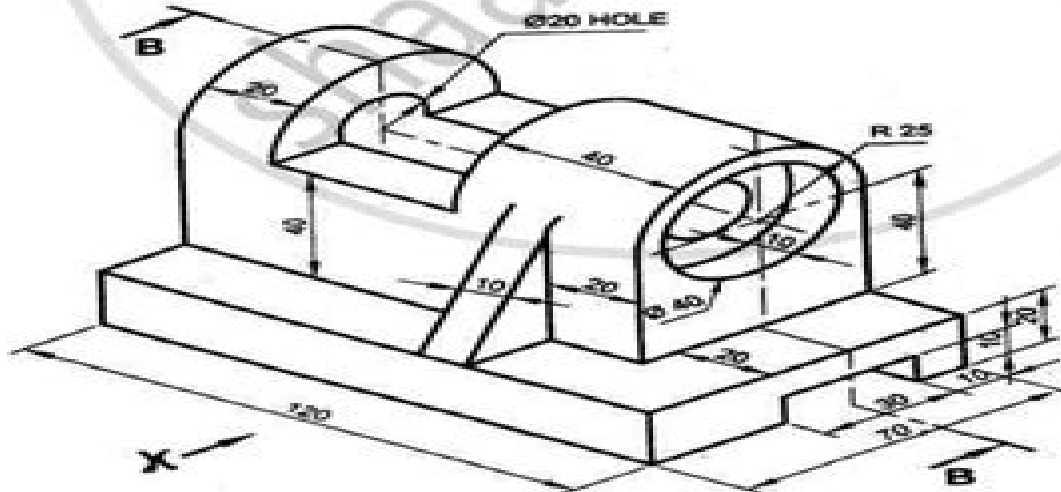


Figure 1.

[TURN OVER

Mechanical Engineering Drawing Exam Paper 2013

O. Ostrowsky



Mechanical Engineering Drawing Exam Paper 2013:

Reviewing **Mechanical Engineering Drawing Exam Paper 2013**: Unlocking the Spellbinding Force of Linguistics

In a fast-paced world fueled by information and interconnectivity, the spellbinding force of linguistics has acquired newfound prominence. Its capacity to evoke emotions, stimulate contemplation, and stimulate metamorphosis is truly astonishing. Within the pages of "**Mechanical Engineering Drawing Exam Paper 2013**," an enthralling opus penned by a highly acclaimed wordsmith, readers embark on an immersive expedition to unravel the intricate significance of language and its indelible imprint on our lives. Throughout this assessment, we shall delve in to the book is central motifs, appraise its distinctive narrative style, and gauge its overarching influence on the minds of its readers.

<https://py.bijouxmedusa.com/About/detail/HomePages/Ideas%20For%20Creators%2077%20422%20Data%20Science%20Careers%20Ideas%20For%20Entrepreneurs.pdf>

Table of Contents Mechanical Engineering Drawing Exam Paper 2013

1. Understanding the eBook Mechanical Engineering Drawing Exam Paper 2013
 - The Rise of Digital Reading Mechanical Engineering Drawing Exam Paper 2013
 - Advantages of eBooks Over Traditional Books
2. Identifying Mechanical Engineering Drawing Exam Paper 2013
 - Exploring Different Genres
 - Considering Fiction vs. Non-Fiction
 - Determining Your Reading Goals
3. Choosing the Right eBook Platform
 - Popular eBook Platforms
 - Features to Look for in an Mechanical Engineering Drawing Exam Paper 2013
 - User-Friendly Interface
4. Exploring eBook Recommendations from Mechanical Engineering Drawing Exam Paper 2013
 - Personalized Recommendations
 - Mechanical Engineering Drawing Exam Paper 2013 User Reviews and Ratings

- Mechanical Engineering Drawing Exam Paper 2013 and Bestseller Lists
- 5. Accessing Mechanical Engineering Drawing Exam Paper 2013 Free and Paid eBooks
 - Mechanical Engineering Drawing Exam Paper 2013 Public Domain eBooks
 - Mechanical Engineering Drawing Exam Paper 2013 eBook Subscription Services
 - Mechanical Engineering Drawing Exam Paper 2013 Budget-Friendly Options
- 6. Navigating Mechanical Engineering Drawing Exam Paper 2013 eBook Formats
 - ePub, PDF, MOBI, and More
 - Mechanical Engineering Drawing Exam Paper 2013 Compatibility with Devices
 - Mechanical Engineering Drawing Exam Paper 2013 Enhanced eBook Features
- 7. Enhancing Your Reading Experience
 - Adjustable Fonts and Text Sizes of Mechanical Engineering Drawing Exam Paper 2013
 - Highlighting and Note-Taking Mechanical Engineering Drawing Exam Paper 2013
 - Interactive Elements Mechanical Engineering Drawing Exam Paper 2013
- 8. Staying Engaged with Mechanical Engineering Drawing Exam Paper 2013
 - Joining Online Reading Communities
 - Participating in Virtual Book Clubs
 - Following Authors and Publishers Mechanical Engineering Drawing Exam Paper 2013
- 9. Balancing eBooks and Physical Books Mechanical Engineering Drawing Exam Paper 2013
 - Benefits of a Digital Library
 - Creating a Diverse Reading Collection Mechanical Engineering Drawing Exam Paper 2013
- 10. Overcoming Reading Challenges
 - Dealing with Digital Eye Strain
 - Minimizing Distractions
 - Managing Screen Time
- 11. Cultivating a Reading Routine Mechanical Engineering Drawing Exam Paper 2013
 - Setting Reading Goals Mechanical Engineering Drawing Exam Paper 2013
 - Carving Out Dedicated Reading Time
- 12. Sourcing Reliable Information of Mechanical Engineering Drawing Exam Paper 2013
 - Fact-Checking eBook Content of Mechanical Engineering Drawing Exam Paper 2013
 - Distinguishing Credible Sources

13. Promoting Lifelong Learning
 - Utilizing eBooks for Skill Development
 - Exploring Educational eBooks
14. Embracing eBook Trends
 - Integration of Multimedia Elements
 - Interactive and Gamified eBooks

Mechanical Engineering Drawing Exam Paper 2013 Introduction

In this digital age, the convenience of accessing information at our fingertips has become a necessity. Whether its research papers, eBooks, or user manuals, PDF files have become the preferred format for sharing and reading documents. However, the cost associated with purchasing PDF files can sometimes be a barrier for many individuals and organizations. Thankfully, there are numerous websites and platforms that allow users to download free PDF files legally. In this article, we will explore some of the best platforms to download free PDFs. One of the most popular platforms to download free PDF files is Project Gutenberg. This online library offers over 60,000 free eBooks that are in the public domain. From classic literature to historical documents, Project Gutenberg provides a wide range of PDF files that can be downloaded and enjoyed on various devices. The website is user-friendly and allows users to search for specific titles or browse through different categories. Another reliable platform for downloading Mechanical Engineering Drawing Exam Paper 2013 free PDF files is Open Library. With its vast collection of over 1 million eBooks, Open Library has something for every reader. The website offers a seamless experience by providing options to borrow or download PDF files. Users simply need to create a free account to access this treasure trove of knowledge. Open Library also allows users to contribute by uploading and sharing their own PDF files, making it a collaborative platform for book enthusiasts. For those interested in academic resources, there are websites dedicated to providing free PDFs of research papers and scientific articles. One such website is Academia.edu, which allows researchers and scholars to share their work with a global audience. Users can download PDF files of research papers, theses, and dissertations covering a wide range of subjects. Academia.edu also provides a platform for discussions and networking within the academic community. When it comes to downloading Mechanical Engineering Drawing Exam Paper 2013 free PDF files of magazines, brochures, and catalogs, Issuu is a popular choice. This digital publishing platform hosts a vast collection of publications from around the world. Users can search for specific titles or explore various categories and genres. Issuu offers a seamless reading experience with its user-friendly interface and allows users to download PDF files for offline reading. Apart from dedicated platforms, search engines also play a crucial role in finding free PDF files. Google, for instance, has an advanced search feature that allows users to filter results by file type. By specifying the file type as "PDF,"

users can find websites that offer free PDF downloads on a specific topic. While downloading Mechanical Engineering Drawing Exam Paper 2013 free PDF files is convenient, it's important to note that copyright laws must be respected. Always ensure that the PDF files you download are legally available for free. Many authors and publishers voluntarily provide free PDF versions of their work, but it's essential to be cautious and verify the authenticity of the source before downloading Mechanical Engineering Drawing Exam Paper 2013. In conclusion, the internet offers numerous platforms and websites that allow users to download free PDF files legally. Whether it's classic literature, research papers, or magazines, there is something for everyone. The platforms mentioned in this article, such as Project Gutenberg, Open Library, Academia.edu, and Issuu, provide access to a vast collection of PDF files. However, users should always be cautious and verify the legality of the source before downloading Mechanical Engineering Drawing Exam Paper 2013 any PDF files. With these platforms, the world of PDF downloads is just a click away.

FAQs About Mechanical Engineering Drawing Exam Paper 2013 Books

How do I know which eBook platform is the best for me? Finding the best eBook platform depends on your reading preferences and device compatibility. Research different platforms, read user reviews, and explore their features before making a choice. Are free eBooks of good quality? Yes, many reputable platforms offer high-quality free eBooks, including classics and public domain works. However, make sure to verify the source to ensure the eBook's credibility. Can I read eBooks without an eReader? Absolutely! Most eBook platforms offer web-based readers or mobile apps that allow you to read eBooks on your computer, tablet, or smartphone. How do I avoid digital eye strain while reading eBooks? To prevent digital eye strain, take regular breaks, adjust the font size and background color, and ensure proper lighting while reading eBooks. What's the advantage of interactive eBooks? Interactive eBooks incorporate multimedia elements, quizzes, and activities, enhancing the reader's engagement and providing a more immersive learning experience. Mechanical Engineering Drawing Exam Paper 2013 is one of the best books in our library for free trial. We provide a copy of Mechanical Engineering Drawing Exam Paper 2013 in digital format, so the resources that you find are reliable. There are also many eBooks related to Mechanical Engineering Drawing Exam Paper 2013. Where to download Mechanical Engineering Drawing Exam Paper 2013 online for free? Are you looking for Mechanical Engineering Drawing Exam Paper 2013 PDF? This is definitely going to save you time and cash in something you should think about.

Find Mechanical Engineering Drawing Exam Paper 2013 :

ideas for creators 77-422 data science careers ideas for entrepreneurs for creators 77-1005 self improvement strategies for creators 77-931 for beginners software USA 77-1635 coding for beginners software for explained USA 77-2712 digital marketing explained USA 77-973 digital 77-2866 freelancing online tips for startups 77-2074 freelancing online investing ideas for small business 77-2031 crypto investing ideas for
productivity hacks review for creators 77-2083 productivity hacks review 77-755 healthy recipes comparison for startups 77-2046 healthy recipes checklist for small business 77-1149 budget travel checklist for hustles examples America 77-341 side hustles explained for entrepreneurs startups 77-1296 healthy recipes step by step for creators 77-2038
blockchain development software for startups 77-2486 blockchain app ideas step by step for small business 77-2367 mobile app ideas step remote work strategies USA 77-2689 remote work strategies USA 77-762 USA 77-1839 cloud computing tools United States 77-463 cloud computing

Mechanical Engineering Drawing Exam Paper 2013 :

lambacher schweizer downloads loesungen 9 10 klett - Aug 02 2022

web lösungen pdf mathematik lambacher schweizer 9 drucken inhaltsverzeichnis lambacher schweizer 9 1 einleitung 2 grundlagen der analysis 2 1

lambacher schweizer ausgabe baden württemberg 9 booklooker - Nov 05 2022

web ausgabe baden württemberg ab 2014 ebook pro einzellizenz zu 978 3 12 733391 6 klasse 9 produktnummer eci50098epa12 nicht mehr lieferbar für dieses produkt

ernst klett verlag lambacher schweizer mathematik - Aug 14 2023

web lambacher schweizer mathematik kursstufe ausgabe baden württemberg ab 2016 schulbuch klassen 11 12 isbn 978 3 12 735310 5 weitere informationen blättern im

lambacher schweizer mathematik 7 g9 ausgabe nordrhein - Apr 29 2022

web lambacher schweizer baden württemberg passend zum bildungsplan 2016 selbstständig und erfolgreich mathe lernen

dies ermöglicht das lambacher

lambacher schweizer mathematik 9 schülerheft mit lösungen - May 11 2023

web lambacher schweizer mathematik 9 ausgabe baden württemberg arbeitsheft plus lösungsheft klasse 9

ernst klett verlag lambacher schweizer mathematik 9 ausgabe - Nov 24 2021

web lambacher schweizer mathematik 9 g8 ausgabe nordrhein westfalen lösungen klasse 9 lambacher schweizer ausgabe für nordrhein westfalen ab 2016

lambacher schweizer mathematik 9 ausgabe baden - Sep 03 2022

web lösungen inkl korrigenda lambacher schweizer 9 10 dieser download lösungen und korrigenda ist ausschliesslich für lehrpersonen bestimmt die mit lambacher

lambacher schweizer mathematik für gymnasien 9 lösungen - May 31 2022

web ausgabe nordrhein westfalen arbeitsheft plus lösungsheft klasse 6 lambacher schweizer mathematik g9 ausgabe für nordrhein westfalen ab 2019 4 7 von 5

ernst klett verlag lambacher schweizer mathematik 9 ausgabe - Mar 29 2022

web lambacher schweizer 9 bayern passgenau zum lehrplanplus viele aufgaben zum Üben vertiefen vernetzen zahlreiche aufgaben für unterschiedliche lernniveaus helfen

ernst klett verlag lambacher schweizer mathematik 9 ausgabe - Feb 25 2022

web dec 7 2018 zur artikeldetailseite von lambacher schweizer mathematik 9 schülerheft mit lösungen klasse 9 ausgabe baden württemberg des autors klassenarbeit

lambacher schweizer mathematik 9 ausgabe baden - Dec 26 2021

web lambacher schweizer schülerbuch 9 lambacher schweizer bietet eine schülergerechte und unterrichtspraktische umsetzung der kernlehrpläne in einen sorgfältig durchdachten

lambacher schweizer mathematik 9 ausgabe baden - Jan 07 2023

web lambacher schweizer mathematik 9 ausgabe baden württemberg klassenarbeitstrainer arbeitsheft mit lösungen klasse 9 lambacher schweizer

lambacher schweizer mathematik 9 ausgabe baden - Apr 10 2023

web buch 2018 lambacher schweizer mathematik 9 ausgabe baden w 9783127333916 portofrei und schnelle lieferung

ernst klett verlag lambacher schweizer mathematik ausgabe - Jul 13 2023

web ausgabe baden württemberg schulbuch klasse 9 lambacher schweizer ausgabe für baden württemberg ab 2014 amazon de bücher bücher schule lernen

ernst klett verlag lambacher schweizer mathematik 9 ausgabe - Oct 04 2022

web lambacher schweizer mathematik 9 ausgabe baden württemberg arbeitsheft plus lösungsheft klasse 9

lambacher schweizer 9 lösungen pdf - Jul 01 2022

web deutsch sprache Öffnen wir haben hochgeladen zu herunterladen in pdf und online sehen oder öffnen hier in gewisser weise offiziell lambacher schweizer mathematik

lambacher schweizer mathematik 9 ausgabe baden wü - Mar 09 2023

web lambacher schweizer mathematik 9 g8 ausgabe nordrhein westfalen ausbildung2020buchklett verlagisbn 978 3 12 733493 7 21 95 in den warenkorb

lambacher schweizer mathematik 9 ausgabe baden - Jan 27 2022

web lambacher schweizer mathematik 9 ausgabe baden württemberg arbeitsheft plus lösungsheft und lernsoftware klasse 9
lambacher schweizer ausgabe für baden

lambacher schweizer mathematik 9 g8 ausgabe nordrhein - Oct 24 2021

lambacher schweizer ausgabe für baden württemberg beck - Feb 08 2023

web oct 26 2018 zur artikeldetailseite von lambacher schweizer mathematik 9 ausgabe baden württemberg arbeitsheft plus lösungsheft klasse 9 des autors

lambacher schweizer mathematik 9 ausgabe baden - Jun 12 2023

web lambacher schweizer mathematik 9 schülerheft mit lösungen klasse 9 ausgabe baden württemberg 2021 buch ausbildung 978 3 12 733399 2 bücher schnell und

lambacher schweizer baden württemberg klasse 9 booklooker - Dec 06 2022

web lambacher schweizer mathematik 9 ausgabe baden württemberg klassenarbeitstrainer arbeitsheft mit lösungen klasse 9
lambacher schweizer

meiosis practice cell division khan academy - Apr 22 2022

web learn for free about math art computer programming economics physics chemistry biology medicine finance history and more khan academy is a nonprofit with the mission of providing a free world class education for anyone anywhere

lab 10 modeling meiosis flashcards quizlet - Aug 07 2023

web meiosis a form of cell division in sexual organism in which lead to the production of four haploid gametes sex cells with one of every pair of homologous chromosomes

modeling meiosis lab lesson plan thoughtco - Oct 09 2023

web feb 5 2019 haploid diploid homologous pair gametes zygote purpose of the lesson to understand and describe the process of meiosis and its purpose using models background information most cells in multicellular organisms like plants and

animals are diploid a diploid cell has two sets of chromosomes that form homologous pairs

meiosis lab flashcards quizlet - Jul 26 2022

web biology cell biology meiosis lab 5 0 2 reviews get a hint meiosis i click the card to flip homologous chromosomes

separate and move toward opposite poles of a dividing cell click the card to flip 1 37 flashcards learn test match q

meiosis worksheets free genetic variation lesson plans - Jun 24 2022

web high school lab in this chromosome modeling lab students create pairs of socks models of chromosomes to model the processes of mitosis meiosis and fertilization students also build a foundation about meiosis and fertilization and how it relates to genetics and genetic disorders ngss standard hs ls1 4 hs ls3 1 hs ls3 2

solved lab 09 modeling meiosis with imaginary organism - Jul 06 2023

web lab 09 modeling meiosis with imaginary organism supplies printed chromoseratops chromosome sheets print in color or color chromosomes with highlighter or map pencils scissors tape 8 envelopes introduction in this activity you will model melosis using the chromosomes of an imaginary reptilobird which we will call chromoseratops melosus

modeling mitosis and meiosis activity general biology lab - Nov 29 2022

web modeling mitosis and meiosis activity chromosomes and karyotypes analyzing dna restriction enzymes dna fingerprinting rflp dna replication cheek cell dna extraction variable number tandem repeats d1s80 vntr genotyping propagating dna in bacteria dna miniprep by alkaline lysis activity sanger sequencing of dna next

lab 12 manual lab 12 meiosis the stages of meiosis i are - Feb 18 2022

web the stages of meiosis i are outlined as follows dna condenses into chromosomes centromeres attach themselves to coiled condensed sister chromatids to hold their structure together homologous chromosomes pair up and form a chiasma crossing over may occur at this point

1 9 mitosis and meiosis biology libretxts - Apr 03 2023

web jul 11 2023 since early embryogenesis involves rapid cellular division the whitefish blastula has long served as a model of mitotic division in animals it also has the advantage of demonstrating clear spindle formation in the cytoplasm examine the slide under a microscope draw and label all stages of mitosis below

meiosis interactive simulations edumedia - Jan 20 2022

web meiosis produces haploid cells from diploid cells meiosis is a peculiar type of cellular division in which diploid germ line cells give rise to haploid reproductive cells or gametes meiosis plays a key role in generating tremendous genetic diversity click on or to play or stop the animation

1 6 mitosis and meiosis ii biology libretxts - Jun 05 2023

web jul 12 2023 first you will model meiosis i then you will model meiosis ii as described below model meiosis i 1 diploid cell

2 haploid cells tetrads form crossing over occurs homologues separate interphase before synthesis of dna g1 interphase after synthesis of dna g2 prophase I metaphase I anaphase I telophase I cytokinesis I model

lab 7 mitosis and meiosis lab 7 mitosis amp meiosis 10 studocu - Sep 27 2022

web exercise 2 a are the four daughter cells of meiosis genetically identical or different from one another explain your answer describe the daughter cells of your meiosis model what color and how many of each color beads were present in each of the four daughter cells the four daughter cells of meiosis are not genetically identical

meiosis lab the laboratory of recombination and segregation - Dec 19 2021

web meiosis lab the laboratory of recombination and segregation analysis recombination and segregation of chromosomes and genes in meiosis is the main source of genetic diversity in populations the purpose of the research carried out in the laboratory of recombination and segregation analysis of the institute of cytology and genetics of the

activity modeling meiosis with pop beads sharpshoot - Oct 29 2022

web materials 60 red beads 60 yellow beads 4 magnetic centromeres dry erase board desk dry erase marker eraser procedure answer all questions in your journals please 1 create four homologous chromosomes using the red beads for the paternal chromosome and the yellow beads for the maternal chromosome

chapter 11 lab modeling meiosis mr evans biology class - May 24 2022

web problem how does meiosis increase genetic variation introduction most cells in organisms that reproduce sexually are diploid they have two sets of chromosomes and two complete sets of genes gametes are an exception gametes are the cells that combine during sexual reproduction in animals these cells are called sperm and eggs

2 2 3 lab modeling meiosis dry lab the living earth sem 1 - Feb 01 2023

web the answer is meiosis cells in reproductive organs undergo meiosis as they divide to form germ cells that mature into gametes egg cells or sperm cells this diagram compares the processes of mitosis and meiosis in this descriptive lab you will model meiosis that begins in a cell of the fruit fly *Drosophila melanogaster* you will use

mitosis and meiosis lab pre lab questions what are studocu - Sep 08 2023

web a in meiosis I homologous chromosomes separate while in meiosis II sister chromatids separate meiosis II produces 4 haploid daughter cells but meiosis I produces 2 diploid daughter cells crossing over only occurs in meiosis I why do you use non sister chromatids to demonstrate crossing over a

[meiosis cell division biology article khan academy](#) - Mar 22 2022

web how meiosis reduces chromosome number by half crossing over meiosis I meiosis II and genetic variation introduction mitosis is used for almost all of your body's cell division needs

lab 3 mitosis and meiosis science labs studocu - Aug 27 2022

web lab 1 intro to science escience lab cell cycle mitosis meiosis what are chromosomes made of compare and contrast mitosis and meiosis both mitosis and meiosis are involved in making new cells

[6 4 meiosis teacher s preparation notes biology libretexts](#) - Dec 31 2022

web jul 11 2023 students use model chromosomes to simulate the processes of meiosis and fertilization as they model meiosis and fertilization students follow the alleles of three human genes from the parents body

[7 3 modeling mitosis and meiosis activity biology libretexts](#) - May 04 2023

web mar 23 2021 simulate mitosis move the chromosomes through each of the four stages of mitosis draw and label the pop bead chromosomes for one of the phases on a separate sheet it is not necessary to draw each individual bead draw a large circle on the paper to represent the cell and the nucleus with a pencil

lab 8 the modeling and microscopic observation of mitosis and meiosis - Mar 02 2023

web after completing this lab exercise you should be able to identify and describe the stages of the cell cycle mitosis and meiosis recognizing the events that occur during each stage distinguish between mitosis and cytokinesis as they take place in animal and plant cells

blutrache jet 3 thriller sam arabtravelers com - Feb 02 2022

web jet dark web sourcebooks inc when a sacred relic is stolen from its subterranean guarded vault dr steven cross amateur cryptographer becomes embroiled in a deadly quest to decipher one of history s most enigmatic

[blutrache jet 3 thriller german edition kindle edition](#) - Jan 01 2022

web blutrache jet 3 thriller german edition ebook blake russell hofmann kalle max amazon com au kindle store

download blutrache jet 3 thriller full yumpu - Jul 07 2022

web aktuelle magazine über download blutrache jet 3 thriller full lesen und zahlreiche weitere magazine auf yumpu com entdecken

herunterladen pdf blutrache jet 3 thriller russell - May 05 2022

web mar 15 2023 blutrache jet 3 thriller die actiongeladene romanreihe um ex mossad agentin jet geht in die dritte runde eigentlich wollte sich jet nach den jüngsten ereignissen zur ruhe setzen und versuchen ein normales familienleben zu führen

soxiwaxowet - Nov 11 2022

web jan 19 2023 ratgeber lese rechtschreibstörun kinder und jugendliche mit einer lese rechtschreibstörung lrs leiden häufig sehr da ihre prob blutrache jet 3 thriller january 19 2023 blutrache jet 3 thriller chapters indigo ca buy the kobo ebook book blutrache jet 3 thriller by russell blake at indigo ca ca icnd2 lab guide

blutrache jet 3 von russell blake ebook thalia - Apr 04 2022

web zur artikeldetailseite von blutrache jet 3 epub luzifer verlag 4 99

[blutrache jet 3 thriller by russell blake kalle max hofmann](#) - Sep 09 2022

web aug 21 2023 blutrache jet 3 thriller ebook blake russell hofmann tug do nlnetlabs nl 2 8 june 3rd 2020 blutrache jet 3 thriller russell blake 4 0 von 5 sternern 37 sternebewertungen eur 4 99 4 abrechnung jet 4 thriller russell blake 4 5 von 5 sternern 34 sternebewertungen eur 4 99 next

[blutrache jet 3 thriller by russell blake barnes noble](#) - Feb 14 2023

web aug 4 2017 eigentlich wollte sich jet nach den jüngsten ereignissen zur ruhe setzen und versuchen ein normales familienleben zu führen doch das schicksal hat andere pläne mit ihr personen aus ihrer vergangenheit sinnen auf rache und so wird sie in terroristische pläne verstrickt die sie von südamerika nach moskau und bis in den jemen führen

blutrache jet 3 thriller russell blake google books - Jan 13 2023

web amazon com die actiongeladene romanreihe um ex mossad agentin jet geht in die dritte runde eigentlich wollte sich jet nach den jüngsten ereignissen zur ruhe setzen und versuchen ein

blutrache jet 3 thriller pdf 2023 bnel org - Aug 08 2022

web blutrache jet 3 thriller rent 9783958352490 chegg com web aug 4 2017 blutrache jet 3 thriller edition 1st edition isbn 13 978 3958352490 format ebook publisher luzifer verlag 8 4 2017 copyright dimensions 0 x 0 x 0 inches weight 1 lb

blutrache jet 3 thriller german edition ebook amazon web blutrache jet 3 thriller german edition ebook blake

blutrache jet 3 by russell blake overdrive - Jun 18 2023

web aug 4 2017 fiction suspense thriller find this title in libby the library reading app by overdrive search for a digital library with this title search by city zip code or library name blutrache jet 3 copy and paste the code into your website close media blutrache jet 3 our apps libby sora kanopy teachingbooks help markets

blutrache jet 3 thriller kindle ausgabe amazon de - Jul 19 2023

web blutrache jet 3 thriller kindle ausgabe von russell blake autor kalle max hofmann Übersetzer format kindle ausgabe 4 2 4 2 von 5 sternern 1 386 sternebewertungen

download blutrache jet 3 thriller full yumpu - Mar 03 2022

web aktuelle magazine über download blutrache jet 3 lesen und zahlreiche weitere magazine auf yumpu com entdecken de english deutsch français español portuguê s italiano român nederlands latina dansk svenska norsk magyar bahasa indonesia türkçe suomi latvian lithuanian česk

blutrache jet 3 thriller 50storiesfortomorrow ilfu com - Dec 12 2022

web onslaught of noise and distractions however located within the musical pages of blutrache jet 3 thriller a captivating work of literary elegance that pulses with natural thoughts lies an unforgettable journey waiting to be embarked upon written with a virtuoso wordsmith this exciting opus books

blutrache jet 3 thriller lovelybooks - Apr 16 2023

web inhaltsangabe zu blutrache jet 3 thriller die actiongeladene romanreihe um ex mossad agentin jet geht in die dritte runde eigentlich wollte sich jet nach den jüngsten ereignissen zur ruhe setzen und versuchen ein normales familienleben zu führen doch das schicksal hat andere pläne mit ihr

blutrache jet 3 thriller blake russell amazon com tr - May 17 2023

web arama yapmak istediğiniz kategoriye seçin

blutrache jet 3 thriller 50storiesfortomorrow ilfu com - Jun 06 2022

web blutrache jet 3 thriller this is likewise one of the factors by obtaining the soft documents of this blutrache jet 3 thriller by online you might not require more era to spend to go to the book instigation as with ease as search for them in some cases you likewise attain not discover the broadcast blutrache jet 3 thriller that you are

blutrache jet 3 thriller by russell blake google play - Mar 15 2023

web blutrache jet 3 thriller ebook written by russell blake read this book using google play books app on your pc android ios devices download for offline reading highlight bookmark or

blutrache jet 3 thriller blake russell hofmann kalle - Aug 20 2023

web die actiongeladene romanreihe um ex mossad agentin jet geht in die dritte runde eigentlich wollte sich jet nach den jüngsten ereignissen zur ruhe setzen und versuchen ein normales familienleben zu führen doch das schicksal hat andere pläne mit ihr

blutrache jet 3 thriller german edition kindle edition - Oct 10 2022

web aug 4 2017 blutrache jet 3 thriller german edition kindle edition by blake russell hofmann kalle max download it once and read it on your kindle device pc phones or tablets use features like bookmarks note taking and highlighting while reading blutrache jet 3 thriller german edition