



Jaws for inside Measurement

Locking Screw

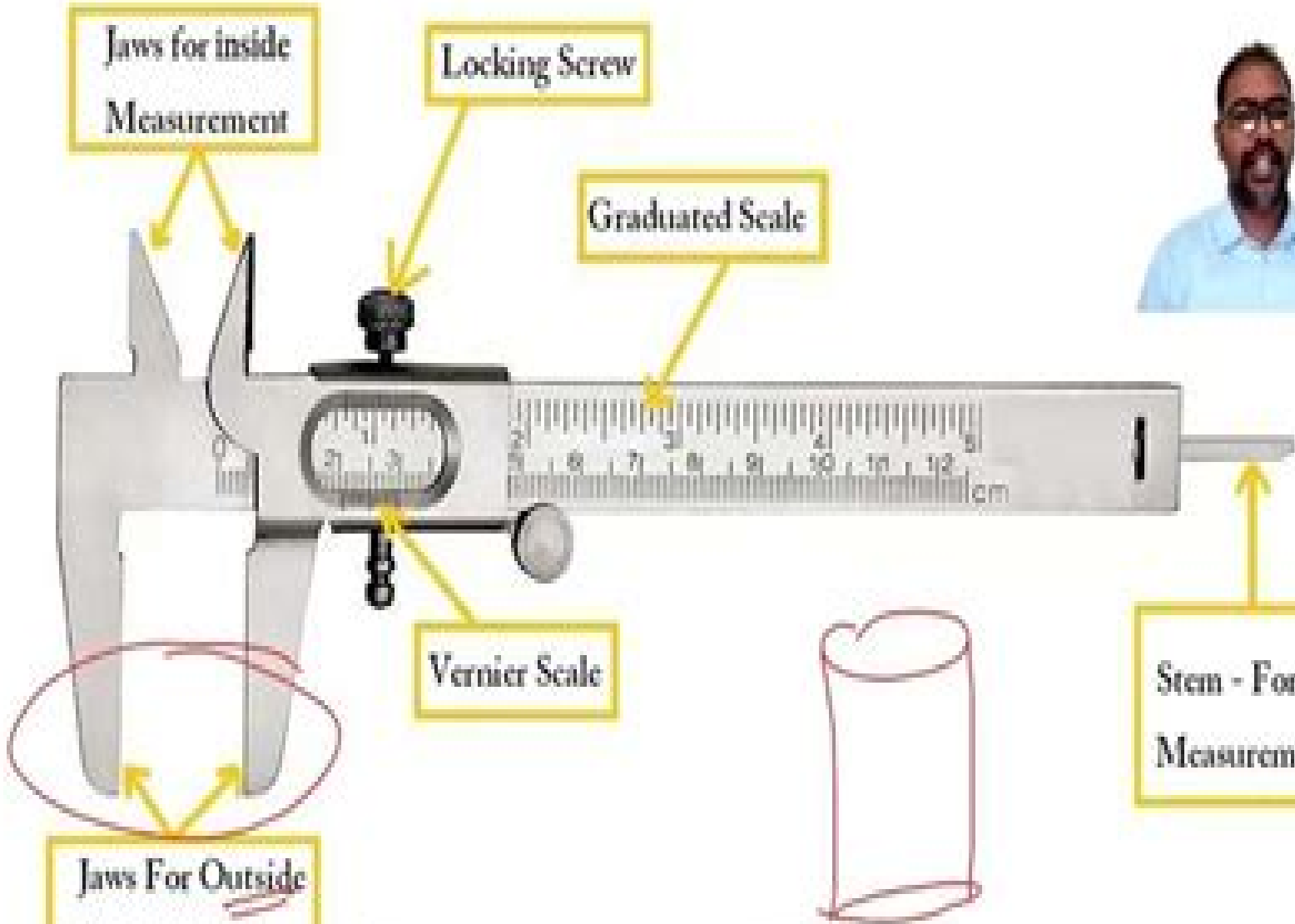
Graduated Scale

Vernier Scale

Stem - For Depth Measurement

Jaws For Outside Measurement

VERNIER CALIPER



Physics With Vernier Lab 15 Answers

Disha Experts



Physics With Vernier Lab 15 Answers:

Experiments in Physics for General Laboratory Classes Norman Everett Gilbert, Charles Albert Proctor, 1921

Proceedings Of The 15th Asian Physics Olympiad B V R Chowdari, 2015-04-20 The Asian Physics Olympiad APhO is a unique single subject practical and theory based individual competition in the field of physics It was developed to provide young Asian students with a platform to display their physics knowledge It is the celebration of the best in pre university physics Each year for about one week pre university students from across Asia gather and test their theory and practical skills in physics This book contains question papers in both theory and experiment and their solutions together with description of various activities of the 15th Asian Physics Olympiad held in Singapore from 11th to 18th May 2014 The book will serve as a valuable source of interesting and challenging experimental and theoretical topics for young physicists worldwide

A Laboratory Course in Physics for Secondary Schools Robert Andrews Millikan, Henry Gordon Gale, 1906

Laboratory Physics Dayton Clarence Miller, 1903

Physics Guide and Lab Activities Ira Cleveland Davis, 1957

Fundamentals of Physics, Volume 2 David Halliday, Robert Resnick, Jearl Walker, 2021-12-06 Renowned for its interactive focus on conceptual understanding its superlative problem solving instruction and emphasis on reasoning skills the Fundamentals of Physics Volume 2 12th Edition is an industry leading resource in physics teaching With expansive insightful and accessible treatments of a wide variety of subjects including photons matter waves diffraction and relativity the book is an invaluable reference for physics educators and students In the second volume of this two volume set the authors discuss subjects including Coulomb s Law Gauss Law and Maxwell s Equations

Laboratory Experiments in General Physics, 1985, 1988 *Announcer*, 2004 JEE Advanced 14 Year-wise Solved Papers 1 & 2 (2006 - 2019) Disha

Experts, 2019-07-02 JEE Advanced 14 Year wise Solved Papers 1 The book also provides the Trend Analysis of last 7 years in all the 3 subjects *The Software Finder*, 1983 Scientific American, 1915 Monthly magazine devoted to topics of

general scientific interest English Mechanic and Mirror of Science and Art, 1916 *TARGET JEE Advanced 2020*

(Solved Papers 2013 - 2019 + 5 Mock Tests Papers 1 & 2) 14th Edition Disha Experts, 2019-07-02 TARGET JEE Advanced 2020 Solved Papers 20013 2019 5 Mock Test Papers 1 The book also provides 5 Mock tests for JEE Advanced along with detailed solutions designed on the latest pattern Paper 1 and Paper 2 The papers contain all the new variety of questions being asked in the new JEE The book also provides A Question Bank of Passage Cum Matching Questions as per the latest pattern of 2018 2019 **TARGET JEE Advanced 2018 (Solved Papers 2006 - 2017 + 5 Mock Tests Papers 1 & 2) -**

12th Edition Disha Experts, 2017-09-07 The book is updated with the newly introduced Matching cum Passage based questions as asked in JEE Advanced 2017 Paper 2 TARGET JEE Advanced 2018 Solved Papers 2006 2017 5 Mock Test Papers 1 The book includes 5 Mock tests for JEE Advanced along with detailed solutions designed on the latest pattern Paper 1 and Paper 2 The papers contain all the new variety of questions being asked in the new JEE **TARGET JEE Advanced 2019**

(Solved Papers 2006 - 2018 + 5 Mock Tests Papers 1 & 2) 13th Edition Disha Experts, TARGET JEE Advanced 2019
Solved Papers 2006 2018 5 Mock Test Papers 1 The book includes 5 Mock tests for JEE Advanced along with detailed solutions designed on the latest pattern Paper 1 and Paper 2 The papers contain all the new variety of questions being asked in the new JEE **School Science and Mathematics** ,1928 **Engineering and Mining Journal** ,1899 Te HS&T
2007 Shrt Crs M Holt Rinehart & Winston,2007 **Oswaal 24 JEE Main Online 2023 Session 1 & 2 Previous Year Solved Papers (All Shifts) with last 5 years trend analysis | 700+ Questions** Oswaal Editorial Board,2023-09-28
Description of the Product 1 100% Updated with 24 Fully Solved 2023 January February April Shift Papers 2 Extensive Practice with 700 No of Questions in Each Subject 3 Cognitive Learning with Smart Mind Maps Mnemonics and Appendix via QR codes 4 Valuable Exam Insights with Expert Tips to crack JEE Main in first attempt 5 Concept Clarity with Detailed Explanations 6 100% Exam Readiness with 5 Years Chapter wise Trend Analysis 2019 2023 **The Latest and Best of TESS** ,1991

Right here, we have countless books **Physics With Vernier Lab 15 Answers** and collections to check out. We additionally meet the expense of variant types and in addition to type of the books to browse. The conventional book, fiction, history, novel, scientific research, as well as various extra sorts of books are readily approachable here.

As this Physics With Vernier Lab 15 Answers, it ends taking place living thing one of the favored books Physics With Vernier Lab 15 Answers collections that we have. This is why you remain in the best website to see the incredible ebook to have.

<https://py.bijouxmedusa.com/data/publication/HomePages/Online%20Privacy%20Trends%20For%20Creators%2012%202161%20Online%20Privacy%20Trends%20For.pdf>

Table of Contents Physics With Vernier Lab 15 Answers

1. Understanding the eBook Physics With Vernier Lab 15 Answers
 - The Rise of Digital Reading Physics With Vernier Lab 15 Answers
 - Advantages of eBooks Over Traditional Books
2. Identifying Physics With Vernier Lab 15 Answers
 - Exploring Different Genres
 - Considering Fiction vs. Non-Fiction
 - Determining Your Reading Goals
3. Choosing the Right eBook Platform
 - Popular eBook Platforms
 - Features to Look for in an Physics With Vernier Lab 15 Answers
 - User-Friendly Interface
4. Exploring eBook Recommendations from Physics With Vernier Lab 15 Answers
 - Personalized Recommendations
 - Physics With Vernier Lab 15 Answers User Reviews and Ratings
 - Physics With Vernier Lab 15 Answers and Bestseller Lists
5. Accessing Physics With Vernier Lab 15 Answers Free and Paid eBooks

- Physics With Vernier Lab 15 Answers Public Domain eBooks
 - Physics With Vernier Lab 15 Answers eBook Subscription Services
 - Physics With Vernier Lab 15 Answers Budget-Friendly Options
6. Navigating Physics With Vernier Lab 15 Answers eBook Formats
 - ePub, PDF, MOBI, and More
 - Physics With Vernier Lab 15 Answers Compatibility with Devices
 - Physics With Vernier Lab 15 Answers Enhanced eBook Features
 7. Enhancing Your Reading Experience
 - Adjustable Fonts and Text Sizes of Physics With Vernier Lab 15 Answers
 - Highlighting and Note-Taking Physics With Vernier Lab 15 Answers
 - Interactive Elements Physics With Vernier Lab 15 Answers
 8. Staying Engaged with Physics With Vernier Lab 15 Answers
 - Joining Online Reading Communities
 - Participating in Virtual Book Clubs
 - Following Authors and Publishers Physics With Vernier Lab 15 Answers
 9. Balancing eBooks and Physical Books Physics With Vernier Lab 15 Answers
 - Benefits of a Digital Library
 - Creating a Diverse Reading Collection Physics With Vernier Lab 15 Answers
 10. Overcoming Reading Challenges
 - Dealing with Digital Eye Strain
 - Minimizing Distractions
 - Managing Screen Time
 11. Cultivating a Reading Routine Physics With Vernier Lab 15 Answers
 - Setting Reading Goals Physics With Vernier Lab 15 Answers
 - Carving Out Dedicated Reading Time
 12. Sourcing Reliable Information of Physics With Vernier Lab 15 Answers
 - Fact-Checking eBook Content of Physics With Vernier Lab 15 Answers
 - Distinguishing Credible Sources
 13. Promoting Lifelong Learning
 - Utilizing eBooks for Skill Development

- Exploring Educational eBooks
- 14. Embracing eBook Trends
 - Integration of Multimedia Elements
 - Interactive and Gamified eBooks

Physics With Vernier Lab 15 Answers Introduction

In today's digital age, the availability of Physics With Vernier Lab 15 Answers books and manuals for download has revolutionized the way we access information. Gone are the days of physically flipping through pages and carrying heavy textbooks or manuals. With just a few clicks, we can now access a wealth of knowledge from the comfort of our own homes or on the go. This article will explore the advantages of Physics With Vernier Lab 15 Answers books and manuals for download, along with some popular platforms that offer these resources. One of the significant advantages of Physics With Vernier Lab 15 Answers books and manuals for download is the cost-saving aspect. Traditional books and manuals can be costly, especially if you need to purchase several of them for educational or professional purposes. By accessing Physics With Vernier Lab 15 Answers versions, you eliminate the need to spend money on physical copies. This not only saves you money but also reduces the environmental impact associated with book production and transportation. Furthermore, Physics With Vernier Lab 15 Answers books and manuals for download are incredibly convenient. With just a computer or smartphone and an internet connection, you can access a vast library of resources on any subject imaginable. Whether you're a student looking for textbooks, a professional seeking industry-specific manuals, or someone interested in self-improvement, these digital resources provide an efficient and accessible means of acquiring knowledge. Moreover, PDF books and manuals offer a range of benefits compared to other digital formats. PDF files are designed to retain their formatting regardless of the device used to open them. This ensures that the content appears exactly as intended by the author, with no loss of formatting or missing graphics. Additionally, PDF files can be easily annotated, bookmarked, and searched for specific terms, making them highly practical for studying or referencing. When it comes to accessing Physics With Vernier Lab 15 Answers books and manuals, several platforms offer an extensive collection of resources. One such platform is Project Gutenberg, a nonprofit organization that provides over 60,000 free eBooks. These books are primarily in the public domain, meaning they can be freely distributed and downloaded. Project Gutenberg offers a wide range of classic literature, making it an excellent resource for literature enthusiasts. Another popular platform for Physics With Vernier Lab 15 Answers books and manuals is Open Library. Open Library is an initiative of the Internet Archive, a non-profit organization dedicated to digitizing cultural artifacts and making them accessible to the public. Open Library hosts millions of books, including both public domain works and contemporary titles. It also allows users to borrow digital copies of certain books for a limited period, similar to a library.

lending system. Additionally, many universities and educational institutions have their own digital libraries that provide free access to PDF books and manuals. These libraries often offer academic texts, research papers, and technical manuals, making them invaluable resources for students and researchers. Some notable examples include MIT OpenCourseWare, which offers free access to course materials from the Massachusetts Institute of Technology, and the Digital Public Library of America, which provides a vast collection of digitized books and historical documents. In conclusion, Physics With Vernier Lab 15 Answers books and manuals for download have transformed the way we access information. They provide a cost-effective and convenient means of acquiring knowledge, offering the ability to access a vast library of resources at our fingertips. With platforms like Project Gutenberg, Open Library, and various digital libraries offered by educational institutions, we have access to an ever-expanding collection of books and manuals. Whether for educational, professional, or personal purposes, these digital resources serve as valuable tools for continuous learning and self-improvement. So why not take advantage of the vast world of Physics With Vernier Lab 15 Answers books and manuals for download and embark on your journey of knowledge?

FAQs About Physics With Vernier Lab 15 Answers Books

What is a Physics With Vernier Lab 15 Answers PDF? A PDF (Portable Document Format) is a file format developed by Adobe that preserves the layout and formatting of a document, regardless of the software, hardware, or operating system used to view or print it. **How do I create a Physics With Vernier Lab 15 Answers PDF?** There are several ways to create a PDF: Use software like Adobe Acrobat, Microsoft Word, or Google Docs, which often have built-in PDF creation tools. Print to PDF: Many applications and operating systems have a "Print to PDF" option that allows you to save a document as a PDF file instead of printing it on paper. Online converters: There are various online tools that can convert different file types to PDF. **How do I edit a Physics With Vernier Lab 15 Answers PDF?** Editing a PDF can be done with software like Adobe Acrobat, which allows direct editing of text, images, and other elements within the PDF. Some free tools, like PDFescape or Smallpdf, also offer basic editing capabilities. **How do I convert a Physics With Vernier Lab 15 Answers PDF to another file format?** There are multiple ways to convert a PDF to another format: Use online converters like Smallpdf, Zamzar, or Adobe Acrobat's export feature to convert PDFs to formats like Word, Excel, JPEG, etc. Software like Adobe Acrobat, Microsoft Word, or other PDF editors may have options to export or save PDFs in different formats. **How do I password-protect a Physics With Vernier Lab 15 Answers PDF?** Most PDF editing software allows you to add password protection. In Adobe Acrobat, for instance, you can go to "File" -> "Properties" -> "Security" to set a password to restrict access or editing capabilities. Are there any free alternatives to Adobe Acrobat for working with PDFs? Yes, there are many

free alternatives for working with PDFs, such as: LibreOffice: Offers PDF editing features. PDFsam: Allows splitting, merging, and editing PDFs. Foxit Reader: Provides basic PDF viewing and editing capabilities. How do I compress a PDF file? You can use online tools like Smallpdf, ILovePDF, or desktop software like Adobe Acrobat to compress PDF files without significant quality loss. Compression reduces the file size, making it easier to share and download. Can I fill out forms in a PDF file? Yes, most PDF viewers/editors like Adobe Acrobat, Preview (on Mac), or various online tools allow you to fill out forms in PDF files by selecting text fields and entering information. Are there any restrictions when working with PDFs? Some PDFs might have restrictions set by their creator, such as password protection, editing restrictions, or print restrictions. Breaking these restrictions might require specific software or tools, which may or may not be legal depending on the circumstances and local laws.

Find Physics With Vernier Lab 15 Answers :

~~online privacy trends for creators 12-2161 online privacy trends for America 12-906 healthy recipes strategies USA 12-2115 healthy recipes tutorial USA 12-2360 sustainable living tutorial United States 12-653 trends for creators 12-2803 sustainable living trends for creators print on demand blueprint for startups 12-1918 print on demand case 12-1947 TikTok marketing checklist United States 12-2137 TikTok living roadmap for small business 12-1151 sustainable living roadmap for roadmap United States 12-1227 AI tools roadmap for startups 12-2227 AI America 12-1862 resume writing best practices for startups 12-1510 blueprint USA 12-1655 wearable technology blueprint United States America 12-2684 VPN services best practices United States 12-2633 VPN luxury travel tools USA 12-472 luxury travel tools for entrepreneurs beginners for creators 12-446 blog monetization for beginners for improvement ideas America 12-1491 self improvement ideas USA 12-2897 technology for beginners United States 12-671 wearable technology for~~

Physics With Vernier Lab 15 Answers :

the ideal man by julie garwood the storygraph - May 19 2022

web the ideal man buchanan renard 9 julie garwood 344 pages first pub 2011 isbn uid 9780451235138 format paperback language english publisher berkley books publication date 05 june 2012 fiction romance emotional mysterious fast paced to read read currently

the ideal man garwood julie amazon sg books - Apr 29 2023

web hello select your address all

the ideal man julie garwood national library - Mar 17 2022

web after agent max daniels takes over the landry case he pledges to protect ellie until she takes the witness stand the two of them find their close quarters leading to passionate feelings he s definitely not the ideal man that ellie has always imagined yet she s attracted to him in a way she can t explain

the ideal man buchanan renard mackenna book 9 - Jun 19 2022

web audiobook 0 00 free with your audible trial julie garwood is among the most critically acclaimed and popular romance authors around with 36 million copies of her books in print and now with the ideal man garwood is poised to

the ideal man julie garwood google books - Jan 27 2023

web new york times bestselling author julie garwood delivers a contemporary romance that s pulse pounding in every sense of the word dr ellie sullivan has just completed her residency at a large urban hospital while jogging in a park nearby she witnesses the shooting of an fbi agent in pursuit of wanted criminals a couple identified as the landrys

the ideal man on apple books - Aug 22 2022

web a woman s life and love are compromised in this pulse pounding thriller from 1 new york times bestselling author julie garwood dr ellie sullivan has witnessed the shooting of an fbi agent in pursuit of a ruthless modern day bonnie and clyde

the ideal man julie garwood google books - Nov 24 2022

web the only person to see the shooter s face ellie is suddenly at the center of a criminal investigation agent max daniels takes over the landry case a no nonsense lawman he s definitely not the ideal man that ellie has always imagined yet she s attracted to him in a way she can t explain

the ideal man garwood julie 9780451235138 books - Sep 22 2022

web jun 5 2012 a woman s life and love are compromised in this pulse pounding thriller from 1 new york times bestselling author julie garwood dr ellie sullivan has witnessed the shooting of an fbi agent in pursuit of a ruthless modern day bonnie and clyde

the ideal man julie garwood google books - Oct 24 2022

web a woman s life and love are compromised in this pulse pounding thriller from 1 new york times bestselling author julie garwood dr ellie sullivan has witnessed the shooting of an fbi agent in

[the ideal man buchanan renard 9 by julie garwood goodreads](#) - Oct 04 2023

web jan 1 2011 julie garwood 4 00 18 176 ratings 1 028 reviews dr ellie sullivan has witnessed the shooting of an fbi agent in pursuit of a ruthless modern day bonnie and clyde the only person to see the shooter s face ellie is suddenly thrust into the center of a criminal investigation spearheaded by the no nonsense by the book and

buchanan renard series by julie garwood goodreads - Feb 25 2023

web the ideal man by julie garwood 4 00 18188 ratings 1028 reviews published 2011 37 editions dr ellie sullivan has witnessed the shooting of a 1 new york times bestselling author julie garwood

the ideal man julie garwood - Aug 02 2023

web the only person to see the shooter s face ellie is suddenly at the center of a criminal investigation agent max daniels takes over the landry case a no nonsense lawman he s definitely not the ideal man that ellie has always imagined yet she s attracted to him in a way she can t explain

the ideal man garwood julie amazon com au books - Dec 26 2022

web a woman s life and love are compromised in this pulse pounding thriller from 1 new york times bestselling author julie garwood dr ellie sullivan has witnessed the shooting of an fbi agent in pursuit of a ruthless modern day bonnie and clyde

the ideal man a novel garwood julie traister christina - Jul 01 2023

web hello select your address all

amazon com the ideal man 9780451235138 garwood julie - Sep 03 2023

web jun 5 2012 a woman s life and love are compromised in this pulse pounding thriller from 1 new york times bestselling author julie garwood dr ellie sullivan has witnessed the shooting of an fbi agent in pursuit of a ruthless modern day bonnie and clyde

the ideal man julie garwood google books - Mar 29 2023

web penguin aug 9 2011 fiction 352 pages a woman s life and love are compromised in this pulse pounding thriller from 1 new york times bestselling author julie garwood dr ellie sullivan

ideal man julie garwood google books - Apr 17 2022

web sometimes you find love in the deadliest of circumstances dr ellie sullivan s life is turned upside down when she witnesses the shooting of an fbi agent in pursuit of wanted criminals a duo known as the landrys the only person to see the shooter s face ellie is suddenly at the centre of a heated criminal investigation headed by the tantalizingly

read the ideal man buchanan renard 9 by julie garwood - Feb 13 2022

web the ideal man buchanan renard 9 new york times bestselling author julie garwood delivers a contemporary romance that s pulse pounding in every sense of the word dr ellie sullivan has just completed her residency at a large urban hospital

ideal man ebook garwood julie amazon com au kindle store - Jul 21 2022

web ideal man kindle edition by julie garwood author format kindle edition 4 5 4 479 ratings book 9 of 14 buchanan renard mackenna see all formats and editions kindle 14 99 read with our free app audiobook 0 00 free with your audible trial sometimes you find love in the deadliest of circumstances

the ideal man by julie garwood 9780451235138 penguin - May 31 2023

web a woman s life and love are compromised in this pulse pounding thriller from 1 new york times bestselling author julie garwood dr ellie sullivan has witnessed the shooting of an fbi agent in pursuit of a ruthless modern day bonnie and clyde

how much do saps earn per month in south africa check it out - Apr 19 2022

web aug 29 2022 by 2018 constables were earning between r175 000 and r213 000 per annum sergeants earned between r222 000 and 270 000 warrant officers between

[here s how much money police officers earn in south](#) - Jul 03 2023

web nov 15 2021 how much saps employees earn saps employees work across a range of sectors including administration visible policing and crime intelligence with salaries

south african police service saps salary guide 2023 - Sep 24 2022

web jul 30 2019 the south african police service saps is the republic of south africa s national police force they are divided based on the provincial borders with a

tcs sap consultant salaries in india ambitionbox - Nov 14 2021

[police officer salaries in south africa for south african police](#) - Jun 21 2022

web jun 15 2022 how much do saps constables earn an early career constable with 1 4 years of experience earns an average total compensation includes tips bonus and

[south african police service salaries in south africa indeed](#) - Oct 26 2022

web jun 13 2022 how much does saps constable earn per month an early career constable with 1 4 years of experience earns an average total compensation includes

what does a saps constable earn per month - Oct 06 2023

a saps constable is another title for a policeman policewoman or a police constable police officers keep law and order in a country investigate crime and support crime prevention see more

south african police service salaries in south africa - Mar 31 2023

web sep 6 2023 overview salaries reviews job listings similar companies r217k avg base salary zar r18k avg bonus 3 2 reviews find out what you should be paid use our

how much do saps earn per month in south africa check it out - Aug 24 2022

web jun 22 2023 average south african police service police officer monthly pay in south africa is approximately r 16 446 which is 29 above the national average salary

police salaries spotlight - Feb 15 2022

web oct 20 2023 4 1 30 128 reviews compare sap salaries trends 71 salaries for 51 jobs at sap in istanbul salaries posted anonymously by sap employees in istanbul

saps ranks structure and the salaries they go with - Aug 04 2023

according to payscale com link is external the average salary of a constable is r181 091 per year alternative figures include 1 base salary r102k r197k 2 bonus r14k r16k 3 total pay r102k r208k see more

police saps salary in south african rands monthly annually - Jan 17 2022

web oct 31 2023 rated by 52 tcs sap consultants for salary benefits tcs sap consultant salary in india ranges between 3 1 lakhs to 14 4 lakhs with an average annual

constable salary at south african police services in - Feb 27 2023

web jun 18 2023 r183 076 year avg base salary zar 10 zar 117k median zar 183k 90 zar 228k the average salary for a constable is r183 076 in 2023 base salary

here s how much money police officers earn in south africa - Jun 02 2023

web 21 rows oct 18 2023 260 salaries for 122 job titles updated oct 18 2023 how much do south african police service employees make glassdoor provides our best

south african police service salary structure and ranks - Sep 05 2023

the mission of the saps is to 1 prevent and combat anything that may threaten the safety and security of any community 2 investigate any see more

are south african police salaries fair iss africa - Mar 19 2022

web sep 9 2023 salaries for saps police officers in south africa fall in the range of r8 550 min and r29 600 max per month on an hourly basis an average police officer in the

police constable salary in south africa 2023 2024 safacts - May 21 2022

web saps constables earn approximately four times this amount according to the south african labour and development research unit 95 of south africans earn less than

constable salary in south africa in 2023 payscale - Dec 28 2022

web how much does south african police service in south africa pay

everything you need to know about saps ranks briefly co za - Jul 23 2022

web how much does saps constable earn per month in south africa base salary r102k r197k bonus r14k r16k total pay r102k r208k what job did the constable

sap salaries in istanbul glassdoor - Dec 16 2021

salary police officer in south africa 2023 glassdoor - Nov 26 2022

web oct 25 2023 average monthly base salary r14 209 00 yearly base salary for saps officers r193 770 00 bonuses ranging from r13 000 00 to r16 000 00 annually top

here s how much money police officers earn in south - May 01 2023

web south africa job constable average constable salary at south african police services in south africa r183 364 year avg base salary zar 10 zar 110k median zar

average south african police services salary in south - Jan 29 2023

web nov 1 2023 the estimated total pay for a police officer is zar 41 750 per month in the south africa area with an average salary of zar 19 929 per month these numbers

manual for edwards truecut guillotine by - Aug 24 2023

web electrical diagrams edwards truecut dd direct drive guillotines sometimes marked 600 which just means made when owned by the 600 machine tool group

wns edwards pearson guillotine hold down pads - May 09 2022

web we would like to show you a description here but the site won t allow us

manual for edwards truecut mechanical guillotine ebay - Jan 17 2023

web edwards pearson edwards truecut spare parts new spare parts in stock for sheet metal bending rollers guillotines shears swagers corner notchers circle cutters

edwards store lathes co uk - Jun 22 2023

web dec 11 2014 need the wiring diagram for truecut 3 25mm good day i have a difficult situation i was too far away from one of my clients when they reported having problems

manual for edwards truecut guillotine by mary varney issuu - Nov 03 2021

net framework - Feb 06 2022

web sep 16 2017 pdf file manual for edwards truecut guillotine save this book to read manual for edwards truecut guillotine pdf ebook at our online library get manual

manual for edwards truecut guillotine by lisbethjones3952 issuu - Dec 04 2021

[edwards truecut mechanical guillotine](#) - Feb 18 2023

web aug 19 2017 besco store lathes co uk manuals store lathes co uk besco edwards besco truecut 4 125 guillotine instruction manual including parts listing

free manual for edwards truecut guillotine - Dec 16 2022

web feb 25 2023 manual for edwards truecut guillotine by josebonetti4395 issuu web jul 14 2017 get manual for edwards truecut guillotine pdf file for free from our online library

edwards truecut guillotine manual - Apr 08 2022

web feb 14 2019 you need to set fire buttons with in the multi crew part in the game options too 3 grapplehoecker feb 14 2019 3 23pm i understand that as host you have to

sheet metal guillotine manual metal work forums - Nov 15 2022

web edwards truecut dd sheet metal guillotine capacity 2015mm x 3 25mm 5mm aluminium with direct drive rapid cutting action manual back gauge rack

edwards truecut dd sheet metal guillotine quinn bros - Aug 12 2022

web description specifications description edwards pearson style power guillotine rubber hold down pads hdp85 replacement pads for edwards pearson

used edwards truecut for sale edwards equipment more - Jul 11 2022

web 24 7 access to your user manuals we endeavour to ensure availability and access to your requested instruction manuals and associated documents at any time on behalf of our

[new spare parts drm machinery sheet metalworking machinery](#) - Oct 14 2022

web edwards truecut dd sheet metal guillotine capacity 2540mm x 3 5mm manual backgauge rack pinion rapid blade gap adjustment single or continuous cutting

how do you use turrets in multicrew steam community - Jan 05 2022

access free manual for edwards truecut guillotine pdf free - Jun 10 2022

web details of a specific machine tool for sale edwards trucut guillotine with photos specification and a way to contact the seller machinery locator com search used

edwards truecut guillotine pdf - Sep 13 2022

web sep 8 2023 2500mm guillotine gd machinery manual for edwards truecut guillotine by josebonetti4395 issuu kempler edwards truecut guillotines data pack store lathes co

edwards truecut guillotines data pack store lathes co uk - Apr 20 2023

web find many great new used options and get the best deals for manual for edwards truecut mechanical guillotine at the best online prices at ebay free delivery for many

edwards truecut dd 3 25 x 2500mm guillotine - Mar 19 2023

web manual for edwards truecut guillotine cme jul 10 2022 mechanical world and engineering record dec 23 2020 hydraulic swing beam shear besco truecut all

edwards truecut guillotine for sale machinery locator com - Mar 07 2022

web jul 14 2017 pdf file manual for edwards truecut guillotine save this book to read manual for edwards truecut guillotine pdf ebook at our online library get manual

edwards truecut dd direct drive guillotine - Jul 23 2023

web print code me71m edwards truecut dd direct drive guillotines sometimes marked 600 which just means made when owned by the 600 machine tool group

edwards truecut 600 group 3 25 2500 mig welding forum - May 21 2023

web parts manual electrical diagrams technical drawings edwards besco truecut guillotines data pack includes all our instruction manuals covering these machines