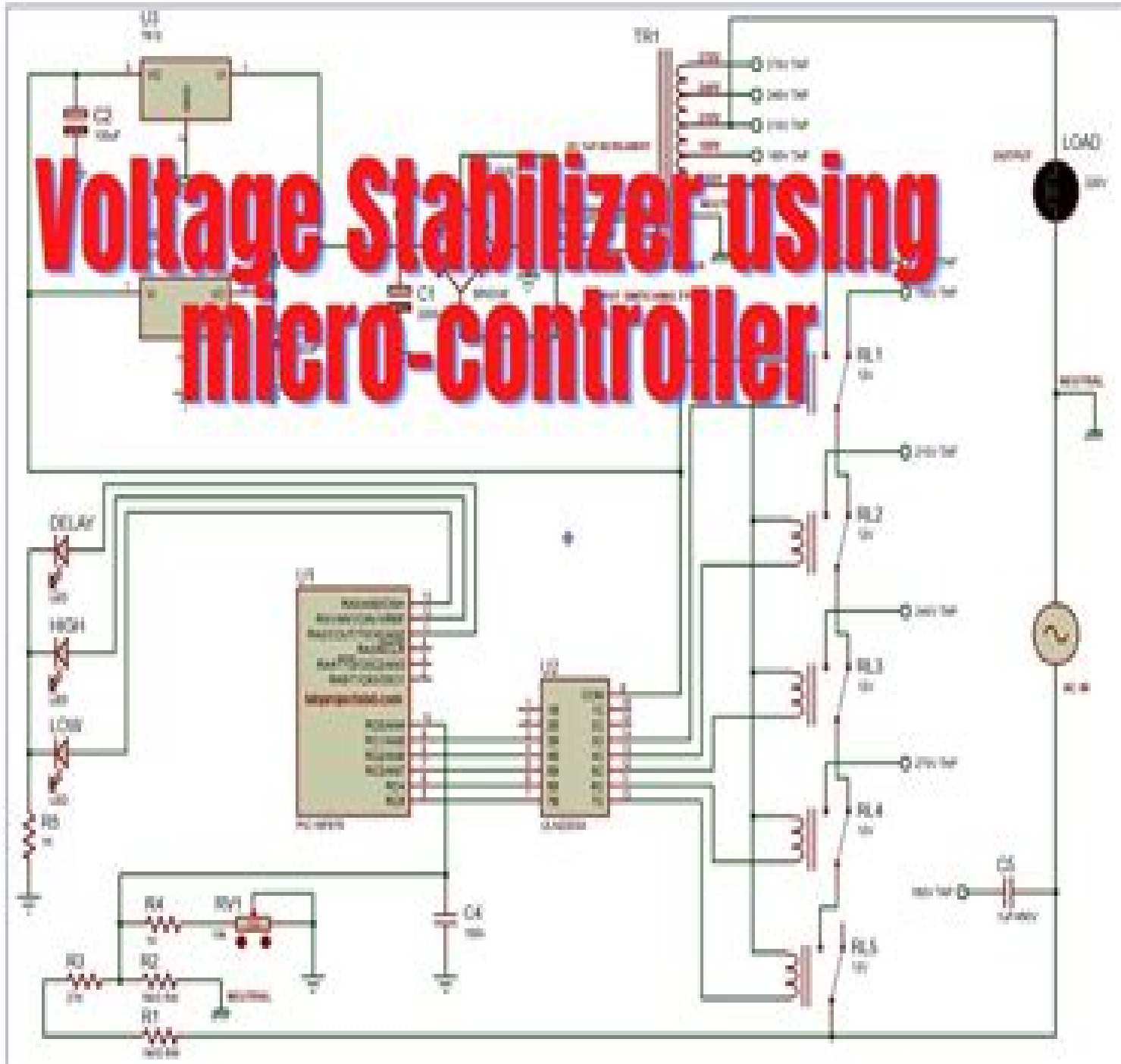


Voltage Stabilizer using micro-controller



Pic16f676 Based Voltage Stabilizer

S Ashworth



Pic16f676 Based Voltage Stabilizer:

Whispering the Techniques of Language: An Mental Journey through **Pic16f676 Based Voltage Stabilizer**

In a digitally-driven earth where monitors reign great and immediate connection drowns out the subtleties of language, the profound strategies and emotional subtleties hidden within words often go unheard. Yet, set within the pages of **Pic16f676 Based Voltage Stabilizer** a interesting literary value pulsating with raw feelings, lies an extraordinary journey waiting to be undertaken. Published by an experienced wordsmith, this wonderful opus encourages readers on an introspective trip, gently unraveling the veiled truths and profound impact resonating within ab muscles material of each and every word. Within the psychological depths with this poignant evaluation, we will embark upon a sincere exploration of the book is core subjects, dissect their captivating writing style, and fail to the powerful resonance it evokes deep within the recesses of readers hearts.

https://py.bijouxmedusa.com/About/scholarship/HomePages/for_beginners_america_14_1975_real_estate_investing_for_beginners_usa.pdf

Table of Contents Pic16f676 Based Voltage Stabilizer

1. Understanding the eBook Pic16f676 Based Voltage Stabilizer
 - The Rise of Digital Reading Pic16f676 Based Voltage Stabilizer
 - Advantages of eBooks Over Traditional Books
2. Identifying Pic16f676 Based Voltage Stabilizer
 - Exploring Different Genres
 - Considering Fiction vs. Non-Fiction
 - Determining Your Reading Goals
3. Choosing the Right eBook Platform
 - Popular eBook Platforms
 - Features to Look for in an Pic16f676 Based Voltage Stabilizer
 - User-Friendly Interface
4. Exploring eBook Recommendations from Pic16f676 Based Voltage Stabilizer
 - Personalized Recommendations

- Pic16f676 Based Voltage Stabilizer User Reviews and Ratings
- Pic16f676 Based Voltage Stabilizer and Bestseller Lists
- 5. Accessing Pic16f676 Based Voltage Stabilizer Free and Paid eBooks
 - Pic16f676 Based Voltage Stabilizer Public Domain eBooks
 - Pic16f676 Based Voltage Stabilizer eBook Subscription Services
 - Pic16f676 Based Voltage Stabilizer Budget-Friendly Options
- 6. Navigating Pic16f676 Based Voltage Stabilizer eBook Formats
 - ePub, PDF, MOBI, and More
 - Pic16f676 Based Voltage Stabilizer Compatibility with Devices
 - Pic16f676 Based Voltage Stabilizer Enhanced eBook Features
- 7. Enhancing Your Reading Experience
 - Adjustable Fonts and Text Sizes of Pic16f676 Based Voltage Stabilizer
 - Highlighting and Note-Taking Pic16f676 Based Voltage Stabilizer
 - Interactive Elements Pic16f676 Based Voltage Stabilizer
- 8. Staying Engaged with Pic16f676 Based Voltage Stabilizer
 - Joining Online Reading Communities
 - Participating in Virtual Book Clubs
 - Following Authors and Publishers Pic16f676 Based Voltage Stabilizer
- 9. Balancing eBooks and Physical Books Pic16f676 Based Voltage Stabilizer
 - Benefits of a Digital Library
 - Creating a Diverse Reading Collection Pic16f676 Based Voltage Stabilizer
- 10. Overcoming Reading Challenges
 - Dealing with Digital Eye Strain
 - Minimizing Distractions
 - Managing Screen Time
- 11. Cultivating a Reading Routine Pic16f676 Based Voltage Stabilizer
 - Setting Reading Goals Pic16f676 Based Voltage Stabilizer
 - Carving Out Dedicated Reading Time
- 12. Sourcing Reliable Information of Pic16f676 Based Voltage Stabilizer
 - Fact-Checking eBook Content of Pic16f676 Based Voltage Stabilizer

- Distinguishing Credible Sources
13. Promoting Lifelong Learning
 - Utilizing eBooks for Skill Development
 - Exploring Educational eBooks
 14. Embracing eBook Trends
 - Integration of Multimedia Elements
 - Interactive and Gamified eBooks

Pic16f676 Based Voltage Stabilizer Introduction

Free PDF Books and Manuals for Download: Unlocking Knowledge at Your Fingertips In today's fast-paced digital age, obtaining valuable knowledge has become easier than ever. Thanks to the internet, a vast array of books and manuals are now available for free download in PDF format. Whether you are a student, professional, or simply an avid reader, this treasure trove of downloadable resources offers a wealth of information, conveniently accessible anytime, anywhere. The advent of online libraries and platforms dedicated to sharing knowledge has revolutionized the way we consume information. No longer confined to physical libraries or bookstores, readers can now access an extensive collection of digital books and manuals with just a few clicks. These resources, available in PDF, Microsoft Word, and PowerPoint formats, cater to a wide range of interests, including literature, technology, science, history, and much more. One notable platform where you can explore and download free Pic16f676 Based Voltage Stabilizer PDF books and manuals is the internet's largest free library. Hosted online, this catalog compiles a vast assortment of documents, making it a veritable goldmine of knowledge. With its easy-to-use website interface and customizable PDF generator, this platform offers a user-friendly experience, allowing individuals to effortlessly navigate and access the information they seek. The availability of free PDF books and manuals on this platform demonstrates its commitment to democratizing education and empowering individuals with the tools needed to succeed in their chosen fields. It allows anyone, regardless of their background or financial limitations, to expand their horizons and gain insights from experts in various disciplines. One of the most significant advantages of downloading PDF books and manuals lies in their portability. Unlike physical copies, digital books can be stored and carried on a single device, such as a tablet or smartphone, saving valuable space and weight. This convenience makes it possible for readers to have their entire library at their fingertips, whether they are commuting, traveling, or simply enjoying a lazy afternoon at home. Additionally, digital files are easily searchable, enabling readers to locate specific information within seconds. With a few keystrokes, users can search for keywords, topics, or phrases, making research and finding relevant information a breeze. This efficiency saves time and effort, streamlining the learning process and allowing individuals to focus on extracting the

information they need. Furthermore, the availability of free PDF books and manuals fosters a culture of continuous learning. By removing financial barriers, more people can access educational resources and pursue lifelong learning, contributing to personal growth and professional development. This democratization of knowledge promotes intellectual curiosity and empowers individuals to become lifelong learners, promoting progress and innovation in various fields. It is worth noting that while accessing free Pic16f676 Based Voltage Stabilizer PDF books and manuals is convenient and cost-effective, it is vital to respect copyright laws and intellectual property rights. Platforms offering free downloads often operate within legal boundaries, ensuring that the materials they provide are either in the public domain or authorized for distribution. By adhering to copyright laws, users can enjoy the benefits of free access to knowledge while supporting the authors and publishers who make these resources available. In conclusion, the availability of Pic16f676 Based Voltage Stabilizer free PDF books and manuals for download has revolutionized the way we access and consume knowledge. With just a few clicks, individuals can explore a vast collection of resources across different disciplines, all free of charge. This accessibility empowers individuals to become lifelong learners, contributing to personal growth, professional development, and the advancement of society as a whole. So why not unlock a world of knowledge today? Start exploring the vast sea of free PDF books and manuals waiting to be discovered right at your fingertips.

FAQs About Pic16f676 Based Voltage Stabilizer Books

How do I know which eBook platform is the best for me? Finding the best eBook platform depends on your reading preferences and device compatibility. Research different platforms, read user reviews, and explore their features before making a choice. Are free eBooks of good quality? Yes, many reputable platforms offer high-quality free eBooks, including classics and public domain works. However, make sure to verify the source to ensure the eBook credibility. Can I read eBooks without an eReader? Absolutely! Most eBook platforms offer web-based readers or mobile apps that allow you to read eBooks on your computer, tablet, or smartphone. How do I avoid digital eye strain while reading eBooks? To prevent digital eye strain, take regular breaks, adjust the font size and background color, and ensure proper lighting while reading eBooks. What the advantage of interactive eBooks? Interactive eBooks incorporate multimedia elements, quizzes, and activities, enhancing the reader engagement and providing a more immersive learning experience. Pic16f676 Based Voltage Stabilizer is one of the best book in our library for free trial. We provide copy of Pic16f676 Based Voltage Stabilizer in digital format, so the resources that you find are reliable. There are also many Ebooks of related with Pic16f676 Based Voltage Stabilizer. Where to download Pic16f676 Based Voltage Stabilizer online for free? Are you looking for Pic16f676 Based Voltage Stabilizer PDF? This is definitely going to save you time and cash in something you should think about.

Find Pic16f676 Based Voltage Stabilizer :

for beginners America 14-1975 real estate investing for beginners USA
14-451 cybersecurity tips America 14-629 cybersecurity tips for
14-2101 personal finance explained for small business 14-1976 personal
creators 14-1582 credit score improvement step by step for creators
small business 14-511 budget travel review America 14-2549 budget travel
United States 14-695 self improvement roadmap for startups 14-1146 self
USA 14-2127 business automation checklist USA 14-659 business automation
trading tutorial for entrepreneurs 14-2554 cybersecurity apps United
services roadmap for creators 14-47 VPN services roadmap for
careers for beginners USA 14-2763 data science careers for beginners for
writing case study for entrepreneurs 14-430 resume writing case study
comparison for small business 14-1443 sustainable living comparison for
stock market step by step for entrepreneurs 14-1445 stock market
review for small business 14-719 online privacy roadmap America 14-2410
practices United States 14-125 real estate investing best practices for

Pic16f676 Based Voltage Stabilizer :

the star of kazan by eva ibbotson review the guardian - Aug 12 2023

web sep 6 2011 the star of kazan by eva ibbotson makes your heart beat faster than a mouse s heartbeat from an abandoned baby to a grim suicide to a very volatile school and many more gripping events the

the star of kazan eva ibbotson google books - Feb 06 2023

web apr 6 2006 the star of kazan eva ibbotson penguin young readers group apr 6 2006 juvenile fiction 416 pages after twelve year old annika a foundling living in late nineteenth century vienna inherits

the star of kazan kirkus reviews - Jun 10 2023

web oct 1 2004 the star of kazan by eva ibbotson illustrated by kevin hawkes release date oct 1 2004 ibbotson master of the poor orphan makes good tale offers another eminently satisfying example this one wrapped in a valentine to vienna the author s natal city

the star of kazan booktrust - Nov 03 2022

web the star of kazan interest age 8 reading age 9 11 years historical adoption bereavement family foster care friendship relationships the star of kazan 7 reviews author eva ibbotson publisher macmillan children s books it is june 1897 and a baby girl is found abandoned in a tiny alpine church

the star of kazan ibbotson eva amazon com au books - Jul 31 2022

web about the author eva ibbotson born maria charlotte michelle wiesner 1925 2010 was an austrian born british novelist known for her children s books some of her novels for adults have been successfully reissued for the young adult market in recent years

the star of kazan ibbotson eva free download borrow and - May 29 2022

web the star of kazan ibbotson eva free download borrow and streaming internet archive

the star of kazan ibbotson eva free download borrow and - Jan 05 2023

web 388 pages 22 cm after twelve year old annika a foundling living in late nineteenth century vienna inherits a trunk of costume jewelry a woman claiming to be her aristocratic mother arrives and takes her to live in a strangely decrepit mansion in germany

the star of kazan wikipedia - Oct 14 2023

web the star of kazan 2004 is a novel by eva ibbotson it won the nestlé children s book prize silver award and was shortlisted for the carnegie medal

firebird of peace named mascot for inaugural games of the future in kazan - Feb 23 2022

web nov 14 2023 moscow november 14 tass the mascot of the first games of the future to be held in russia s kazan will be the firebird of peace the mascot designed by students from tatarstan was

the star of kazan eva ibbotson google books - Mar 07 2023

web pan macmillan sep 4 2008 juvenile fiction 400 pages eva ibbotson s hugely entertaining the star of kazan is a timeless classic for readers young and old in 1896 in a pilgrim church in

the star of kazan by eva ibbotson goodreads - Sep 13 2023

web dec 31 1999 8 518 ratings 708 reviews la naissance d annika est un mystère abandonnée dans une église en pleine montagne elle a été élevée par une famille excentrique de vienne sa vie bascule lorsque sa vraie mère réapparaît et l emmène vivre en allemagne dans son château morne et glacé

the star of kazan kindle edition amazon com - Oct 02 2022

web sep 4 2008 audiobook 0 00 free with your audible trial eva ibbotson s hugely entertaining the star of kazan is a timeless classic for readers young and old in 1896 in a pilgrim church in the alps an abandoned baby girl is found by a cook and a housemaid

[the star of kazan by eva ibbotson waterstones](#) - Dec 04 2022

web may 8 2014 synopsis suffused with all of eva ibbotson s timeless storytelling gifts the star of kazan recounts the evocative tale of an abandoned girl in the late nineteenth century alps and the stranger who sensationally claims that she is her birth mother eva ibbotson s hugely entertaining the star of kazan is a timeless classic for readers young

the star of kazan paperback april 6 2006 amazon com - Jul 11 2023

web apr 6 2006 eva ibbotson born maria charlotte michelle wiesner 1925 2010 was an austrian born british novelist known for her children s books some of her novels for adults have been successfully reissued for the young adult market in recent years

[pdf epub the star of kazan download oceanofpdf](#) - Mar 27 2022

web jul 6 2023 download the star of kazan by eva ibbotson in pdf epub format complete free brief summary of book the star of kazan by eva ibbotson here is a quick description and cover image of book the star of kazan written by eva ibbotson which was published in december 31 1999 you can read this before the star of kazan pdf

[teachingbooks the star of kazan](#) - Apr 27 2022

web nov 9 2023 the star of kazan by eva ibbotson and kevin hawkes eva ibbotson s hugely entertaining the star of kazan is a timeless classic read more 7 total resources 1 awards view text complexity discover like books audio excerpt

the star of kazan penguin random house - May 09 2023

web the star of kazan by eva ibbotson 9780142405826 penguinrandomhouse com books after twelve year old annika a foundling living in late nineteenth century vienna inherits a trunk of costume jewelry a woman claiming to be her aristocratic

the star of kazan quotes by eva ibbotson goodreads - Sep 01 2022

web the star of kazan quotes showing 1 3 of 3 pauline kept a scrapbook into which she pasted important articles that she had cut out of the newspapers these were about the courageous deeds that had been done by people even if they only had one leg or couldn t see or had been dropped on their heads when they were babies

the star of kazan rif org reading is fundamental - Jun 29 2022

web jan 1 2004 written by eva ibbotson annika is happy living in the servants quarters of a house owned by three eccentric professors she adores ellie and sigrid the cook and housemaid who found her as a baby abandoned on a church doorstep in the eleven years since they have taught her how to bake and clean to perfection

[the star of kazan by eva ibbotson pan macmillan](#) - Apr 08 2023

web may 8 2014 the star of kazan eva ibbotson ages 9 to 11 2004 nominee the cilip carnegie medal 2004 winner nestlé smarties book prize silver award synopsis eva ibbotson s hugely entertaining the star of kazan is a timeless classic for readers young and old in 1896 in a pilgrim church in the alps an abandoned baby girl is found by a

best earth science universities in the world 2023 - Oct 05 2022

web university details scholars Σ publications Σ d index 1 1 university of california system united states 208 47 030 11 511 2
2 columbia university united states 54 12 021 3 100 3 3 california institute of technology united states 51 13 562 3 031 4 1
utrecht university netherlands 48 11 928 2 675 5 4 the university of texas at austin united states

remote sensing experiments for earth system science - Feb 26 2022

web sep 27 2021 the earth system is an integrated system that can be divided into six main subsystems geosphere
atmosphere hydrosphere cryosphere biosphere and anthrosphere these subsystems are interconnected through the flows of
global energy water and carbon which are fundamental constituent cycles within the earth system

learn at home earth science albuquerque public schools - Jul 02 2022

web updated 2020 unit overview this computer based packet of resources is designed for students and their parents who
wish to support in school learning with activities that can be done independently at home the packet includes ten days of
assignments that support the scientific work of earth science with a particular focus on regents preparation

earth science news research and analysis the conversation - Sep 04 2022

web jul 13 2023 michael r hudec the university of texas at austin when mud fluids and gases erupt at the earth s surface
they hint at what s happening underground allowing scientists to build a more

earth science research contributing to sustainability of our home - Mar 10 2023

web mar 23 2022 the sustainability of our home planet depends upon efforts and actions from all sections of the society the
most recently released intergovernmental panel on climate change ipcc report imposes a dire warning about the well being
of natural world and humanity with information on concluded irreversible changes

best earth science scientists research com - Dec 07 2022

web the 2nd edition of research com ranking of the best researchers in the discipline of earth science is based on data
consolidated from various data sources including openalex and crossref the bibliometric data for devising the citation based
metrics were gathered on 21 12 2022 position in the ranking is based on a scholar s d index

the future challenge of earth science education research - Jan 28 2022

web nov 28 2019 during the past 30 years earth science education research has established a solid theoretical foundation as
well as practical strategies and techniques for a meaningful teaching of earth science from k 12

earth science reviews journal sciencedirect com by elsevier - Jun 13 2023

web read the latest articles of earth science reviews at sciencedirect com elsevier s leading platform of peer reviewed
scholarly literature

earth science activities for kids researchparent com - Nov 06 2022

web earth science is the study of planet earth it includes the study of rocks and land geology the study of oceans oceanography and the study of the weather meteorology since these areas are very tangible and relevant to the lives of all earthlings it makes a great area to start scientific exploration with young kids

[earthdata earthdata](#) - Aug 15 2023

web earthdata is the home for full and open access to nasa s earth science data collections accelerating scientific advancement for societal benefit

best earth science conferences ranking 2022 research com - Mar 30 2022

web mar 10 2022 the ranking of best conferences for earth science was devised by research com one of the leading websites for earth science research supplying trusted data on scientific contributions since 2014 the position in the ranking is based on impact score metrics collected on 06 12 2021

[top 100 in earth science nature](#) - May 12 2023

web jan 27 2021 top 100 in earth science this collection highlights our most downloaded earth science papers published in 2021 featuring authors from around the world these papers showcase valuable research

home earth science research ccse ccenet org - Jul 14 2023

web jul 9 2019 earth science research esr is an international double blind peer reviewed open access journal esr is published by the canadian center of science and education in both print and online versions esr is striving to provide the best platform for researchers and scholars worldwide to exchange their latest findings

top earth sciences websites ranking in july 2023 similarweb - Dec 27 2021

web aug 1 2023 worldwide ranking trending last updated august 1 2023 see full list some websites ranked in the list above may contain adult content please use caution when visiting unknown sites most visited earth sciences websites ranking analysis for

[enduring resources for earth sciences education erese home page](#) - Jan 08 2023

web promoting creating and publishing of enduring resources for earth science education in a collaboration between middle and high school teachers and earth scientists

[nasa earth science science mission directorate](#) - Apr 11 2023

web nasa is developing the earth system observatory the core of which is five satellite missions providing critical data on climate change severe weather and other natural hazards wildfires and global food production

earth sciences science publishing group - Apr 30 2022

web earth sciences earth publishes original peer reviewed theoretical and experimental frontier research papers as well as significant review articles of more general interest to earth scientists the journal features articles dealing with observations

patterns processes and modeling of both innerspheres and outerspheres of the earth

top 100 in earth science nature - Feb 09 2023

web nov 9 2017 top 100 in earth science explore our most highly accessed earth science articles in 2017 featuring authors from around the world these papers highlight valuable research within earth science

earth science wikipedia - Aug 03 2022

web earth science or geoscience includes all fields of natural science related to the planet earth this is a branch of science dealing with the physical chemical and biological complex constitutions and synergistic linkages of earth s four spheres the biosphere hydrosphere cryosphere atmosphere and geosphere or lithosphere

nasa science at home activities science mission directorate - Jun 01 2022

web nasa science at home art and science upcoming events connect email sign up follow us resources toolkits diy paper spacecraft models earth day 2023 posters and virtual backgrounds mission posters solar system new horizons flyby science explorers poster series visual presentations earth day 2022 citizen science

daytrade a realidade sem mimimi quer se tornar - Oct 05 2023

web daytrade a realidade sem mimimi quer se tornar um day trader comece lendo esse livro by vinícius miranda 3 20 avg rating 10 ratings ser day trade é um sonho

amazon com au customer reviews daytrade a realidade - Feb 26 2023

web veja grátis o arquivo daytrade a realidade sem mimimi quer se tornar um day trader comece lendo esse livro enviado para a disciplina de investimentos categoria

daytrade a realidade sem mimimi quer se tornar um day - Mar 30 2023

web amazon com daytrade a realidade sem mimimi quer se tornar um day trader comece lendo esse livro portuguese edition ebook miranda vinicius cesar bruno

daytrade a realidade sem mimimi quer se tornar um day - Dec 27 2022

web recognizing the pretentiousness ways to acquire this ebook daytrade a realidade sem mimimi quer se tornar um is additionally useful you have remained in right site to

pdf daytrade a realidade sem mimimi quer se tornar - Sep 04 2023

web daytrade a realidade sem mimimi quer se tornar um day eu sou ryca 2016 mestre dos centavo at breve soldados blog jovens estudantes mais alertas vermelhos

pdf daytrade a realidade sem mimimi quer se tornar - Oct 25 2022

web discover and share books you love on goodreads

daytrade a realidade sem mimimi quer se tornar um day - Apr 18 2022

daytrade a realidade sem mimimi quer se tornar um pdf - Aug 23 2022

web sep 14 2023 daytrade a realidade sem mimimi quer se tornar um day falando de canibais e mitos tpico de sbado o carcar arquivos blog pgina 2 de 4 mulher na

amazon com br avaliações de clientes daytrade a - Jan 28 2023

web apr 28 2019 daytrade a realidade sem mimimi quer se tornar um day ser day trade é um sonho para muitos e realidade para poucos acompanhe uma história real

daytrade a realidade sem mimimi quer se tornar um - Sep 23 2022

web any of our books like this one merely said the daytrade a realidade sem mimimi quer se tornar um is universally compatible taking into account any devices to read trading

daytrade a realidade sem mimimi quer se tornar um day - May 20 2022

web daytrade a realidade sem mimimi quer se tornar um day trader comece lendo esse livro portuguese edition by bruno cesar daytrade a realidade sem mimimi quer se

daytrade a realidade sem mimimi quer se tornar um day - Mar 18 2022

daytrade a realidade sem mimimi quer se tornar um day - Jul 02 2023

web daytrade a realidade sem mimimi quer se tornar um day trader comece lendo esse livro ebook miranda vinicius cesar bruno amazon com br livros

daytrade a realidade sem mimimi quer se tornar um a l - Jun 20 2022

web daytrade a realidade sem mimimi quer se tornar um day trader comece lendo esse livro portuguese edition by bruno cesar falando de canibais e mitos tpico de sbado o

readers who enjoyed daytrade a realidade sem mimimi - Aug 03 2023

web day trade a realidade sem mimimi pdf empresa startup microempresas e empreendedores dinheiro e estava falido vi que uma parte do curso falava sobre

daytrade a realidade sem mimimi quer se tornar um day - Nov 25 2022

web sem mimimi quer se tornar um compiled by a very acclaimed author immerses readers in a captivating exploration of the significance of language and its profound effect on our

daytrade a realidade sem mimimi quer se tornar um day - Feb 14 2022

loading interface goodreads - Jul 22 2022

web sep 3 2023 realidade sem mimimi quer se tornar um day may 1st 2020 daytrade a realidade sem mimimi quer se tornar

um day trader ece lendo esse

daytrade a realidade sem mimimi quer se - Apr 30 2023

web confira avaliações e notas de clientes para daytrade a realidade sem mimimi quer se tornar um day trader comece lendo esse livro na amazon com br leia avaliações

day trade a realidade sem mimimi pdf empresa - Jun 01 2023

web find helpful customer reviews and review ratings for daytrade a realidade sem mimimi quer se tornar um day trader comece lendo esse livro portuguese edition